



US00D814225S

(12) **United States Design Patent**
Chang

(10) **Patent No.:** **US D814,225 S**

(45) **Date of Patent:** **** *Apr. 3, 2018**

- (54) **GRILL**
- (71) Applicant: **Shu-Jui Chang**, Taichung (TW)
- (72) Inventor: **Shu-Jui Chang**, Taichung (TW)
- (*) Notice: This patent is subject to a terminal disclaimer.
- (**) Term: **15 Years**
- (21) Appl. No.: **29/547,691**
- (22) Filed: **Dec. 7, 2015**
- (51) **LOC (11) Cl.** **07-02**
- (52) **U.S. Cl.**
USPC **D7/334**
- (58) **Field of Classification Search**
USPC D7/213, 323, 324, 329, 330, 332, 334,
D7/337, 339, 340, 346, 347, 362, 367
CPC G05D 7/00; F24F 13/07; F24C 5/00; F24C
5/20; F24C 3/00; F24C 3/10; F24C 3/12;
F24C 15/06; F24C 15/10; F24C 15/16;
F24C 15/20; F24B 3/00; F23N 5/22;
B60H 3/00; B32B 15/04; A62C 3/00;
A47J 43/18; A47J 37/00; A47J 37/04;
A47J 37/06; A47J 37/07
See application file for complete search history.

D677,107 S *	3/2013	Chung	D7/337
D677,108 S *	3/2013	Chung	D7/337
D677,110 S *	3/2013	Chung	D7/337
D677,111 S *	3/2013	Chung	D7/337
D722,467 S *	2/2015	Chung	D7/337
D722,812 S *	2/2015	Chung	D7/337
D722,813 S *	2/2015	Chung	D7/337
D724,886 S *	3/2015	Chung	D7/337
D726,490 S *	4/2015	Spencer	D7/332
D726,494 S *	4/2015	Mazoyer	D7/362
D739,170 S *	9/2015	Chung	D7/337
D742,681 S *	11/2015	Pai	D7/337
D743,200 S *	11/2015	Pai	D7/337
D747,910 S *	1/2016	Costa	D7/337
D758,785 S *	6/2016	Verbrugge	D7/352
D760,012 S *	6/2016	Lin	D7/337
D772,637 S *	11/2016	Barquin	D7/337
D775,489 S *	1/2017	Zemel	D7/332
2008/0017185 A1 *	1/2008	Lee	F23D 14/045 126/39 K
2011/0214574 A1 *	9/2011	Chang	A47J 37/00 99/340

* cited by examiner

Primary Examiner — Manpreet Matharu

Assistant Examiner — Suzanne Tisdell

(57) **CLAIM**

The ornamental design for a grill, as shown and described.

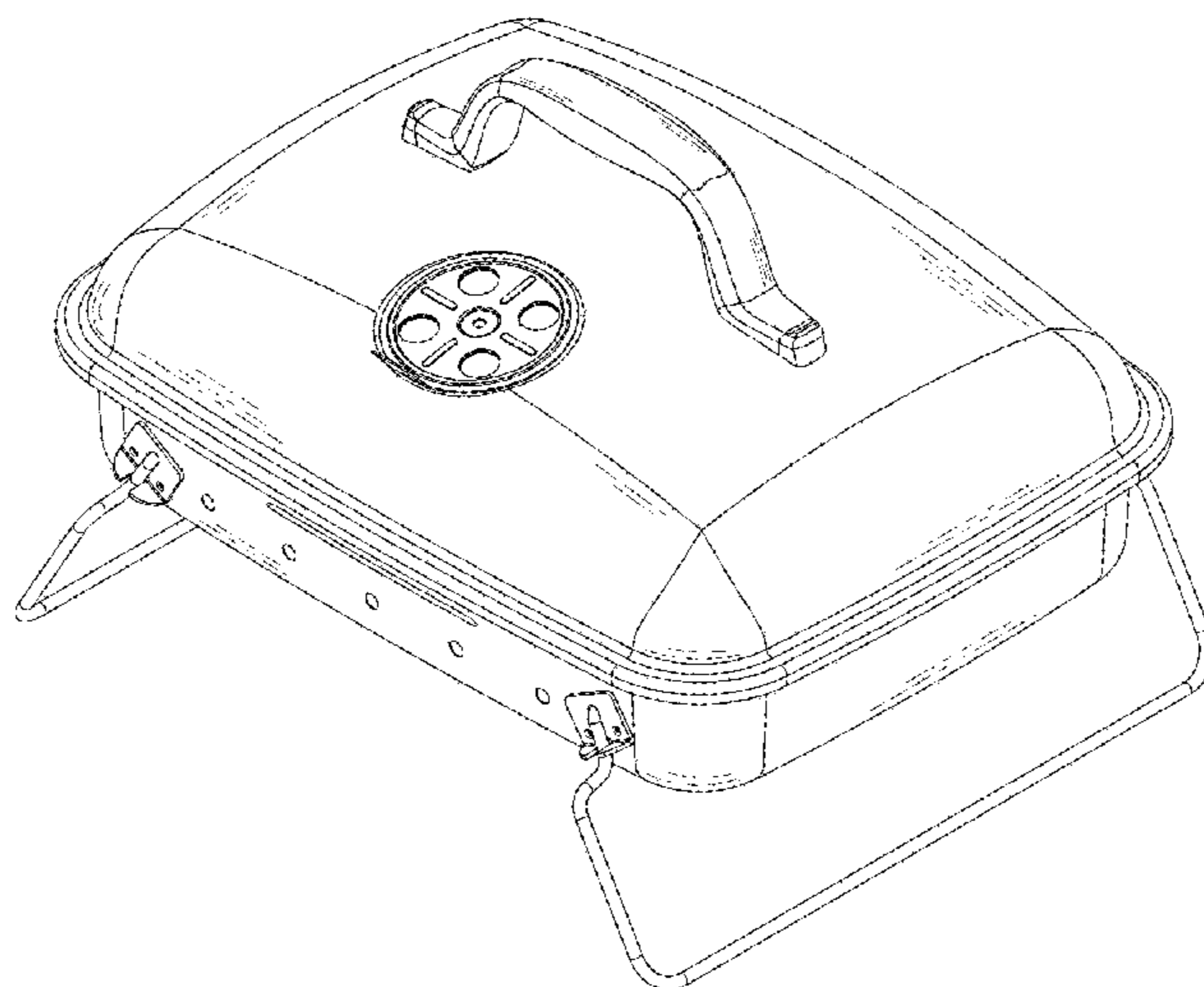
DESCRIPTION

FIG. 1 is a perspective view of a grill showing my new design;
 FIG. 2 is a front side view thereof;
 FIG. 3 is a back side view thereof;
 FIG. 4 is a left side view thereof;
 FIG. 5 is a right side view thereof;
 FIG. 6 is a top plan view thereof;
 FIG. 7 is a bottom plan view thereof; and,
 FIG. 8 is a perspective view thereof with the cover open.

1 Claim, 8 Drawing Sheets

(56) **References Cited**
 U.S. PATENT DOCUMENTS

D503,306 S *	3/2005	Huang	D7/337
D521,307 S *	5/2006	Parrant	D7/334
D568,671 S *	5/2008	Cheng	D7/337
D611,292 S *	3/2010	Chung	D7/337
D615,799 S *	5/2010	Best	D7/337
D630,464 S *	1/2011	Chung	D7/337
D631,685 S *	2/2011	Tiller	D7/337
D662,762 S *	7/2012	Chung	D7/337
D676,702 S *	2/2013	Chung	D7/337



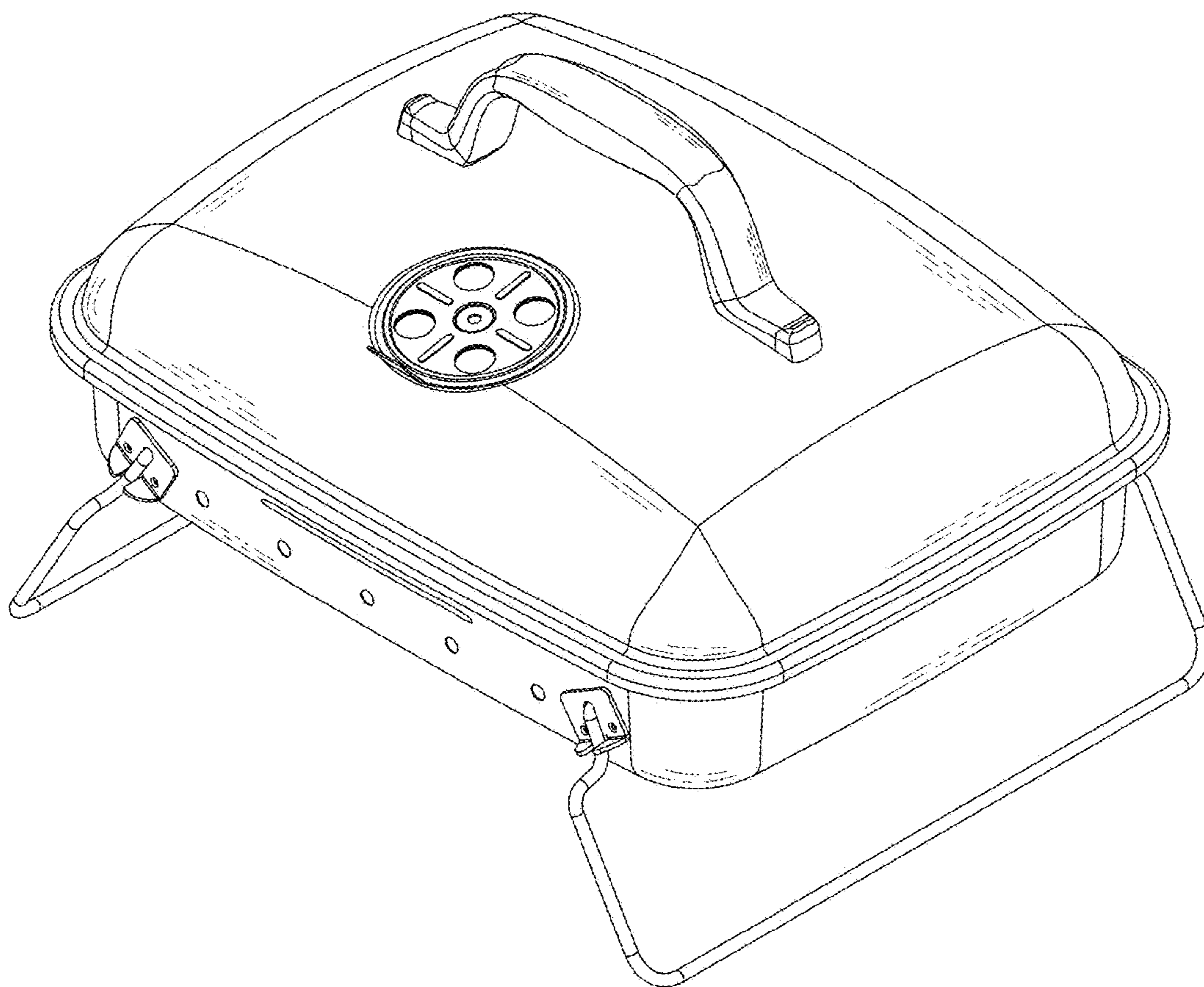


FIG. 1

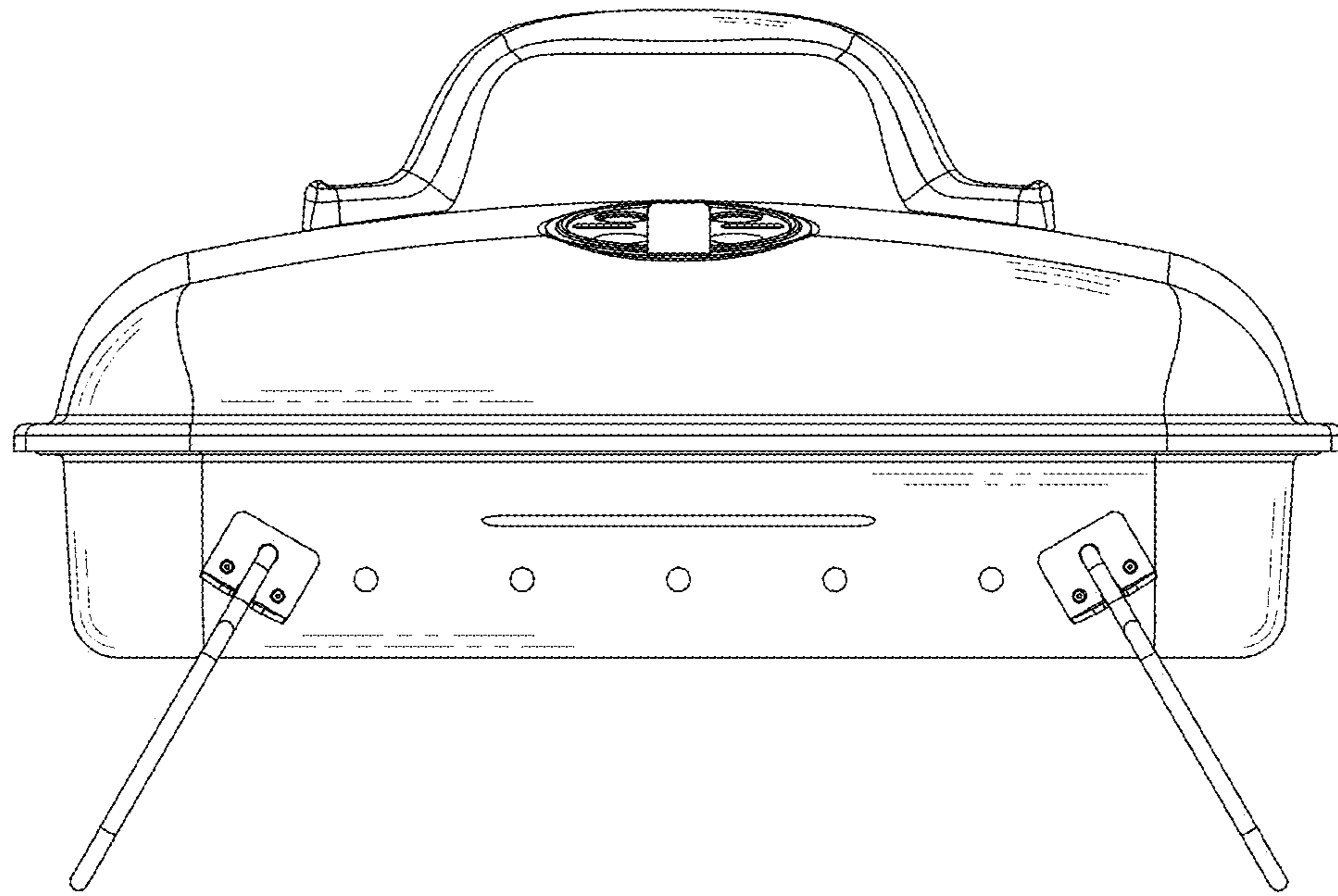


FIG. 2

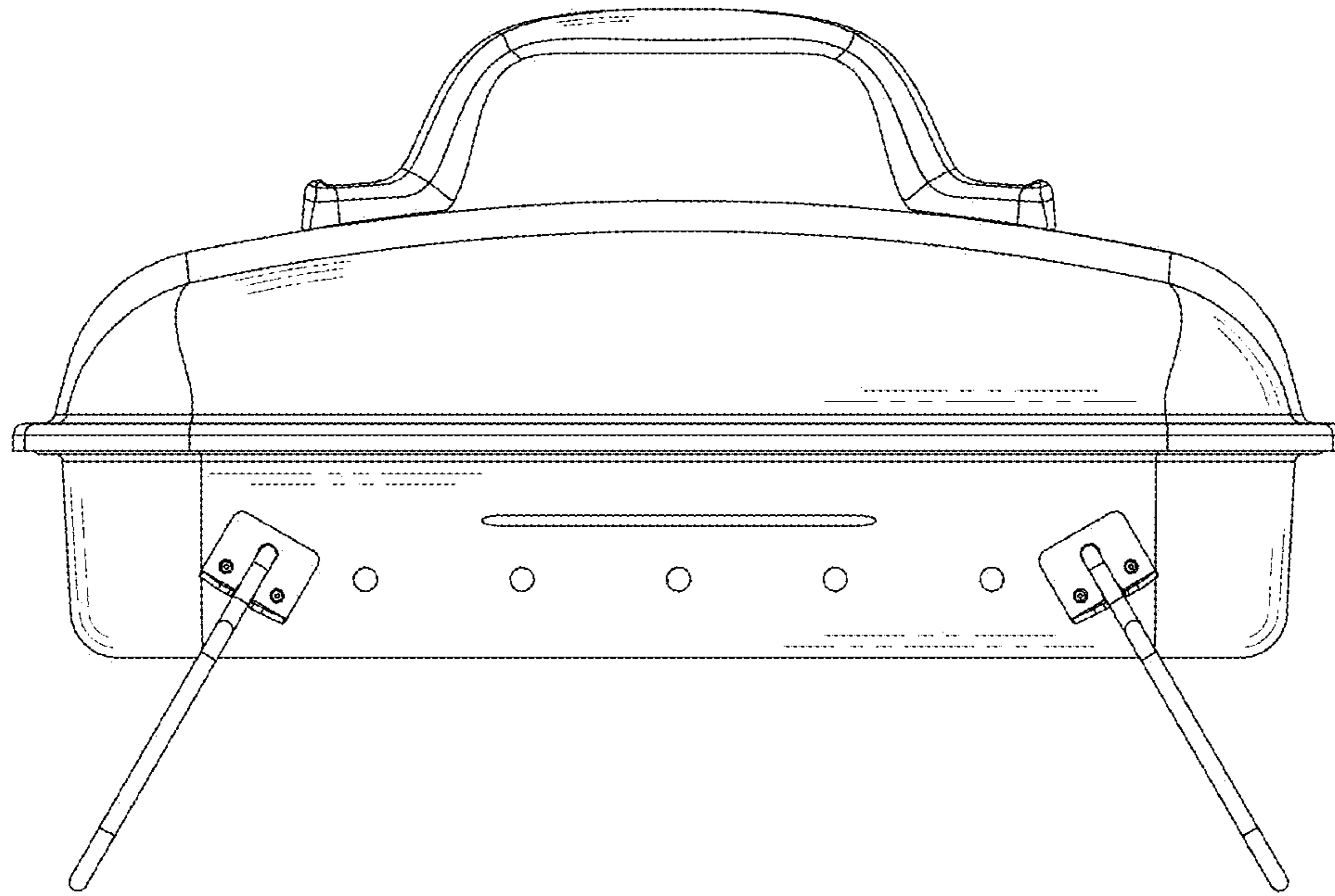


FIG. 3

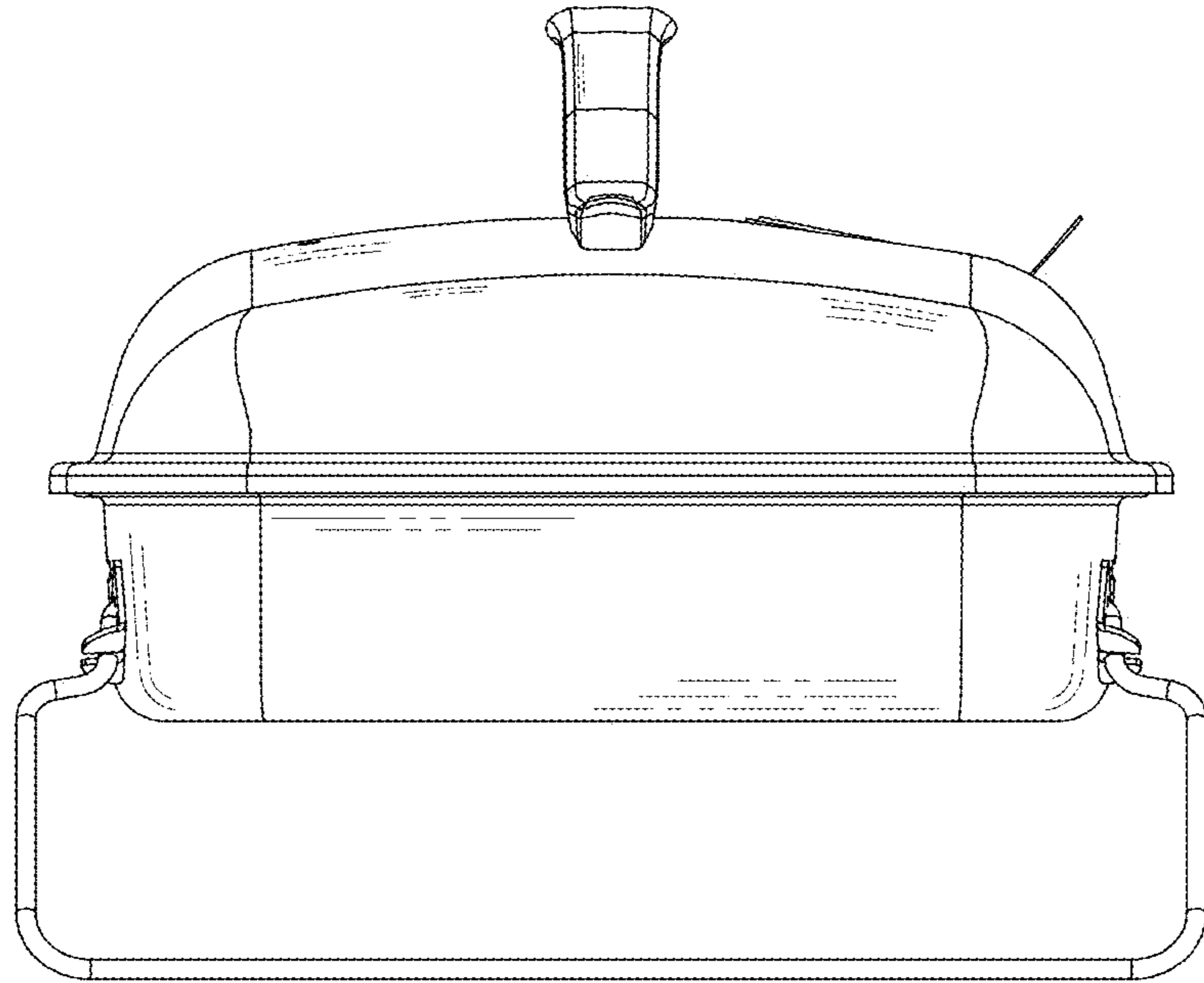


FIG. 4

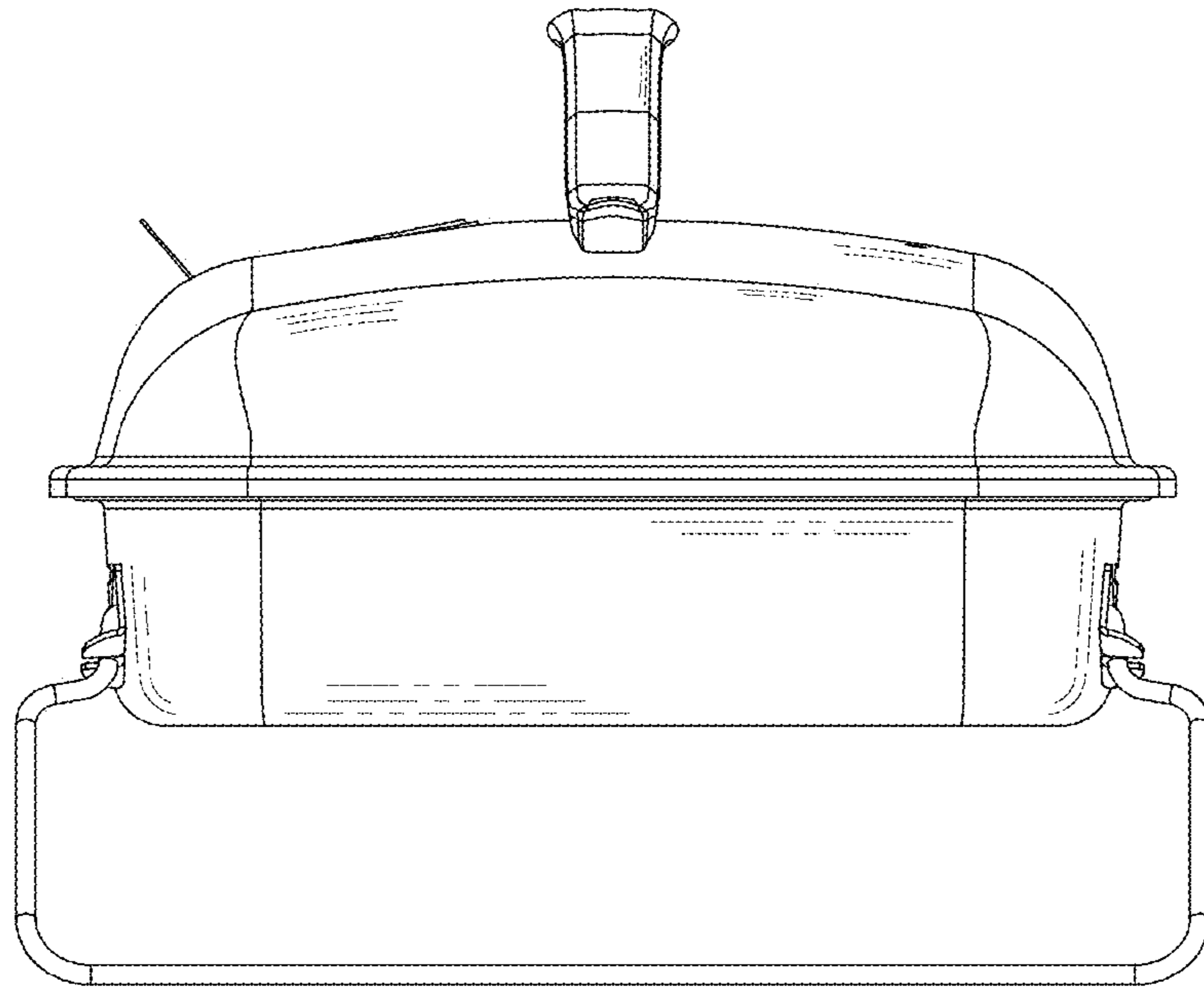


FIG. 5

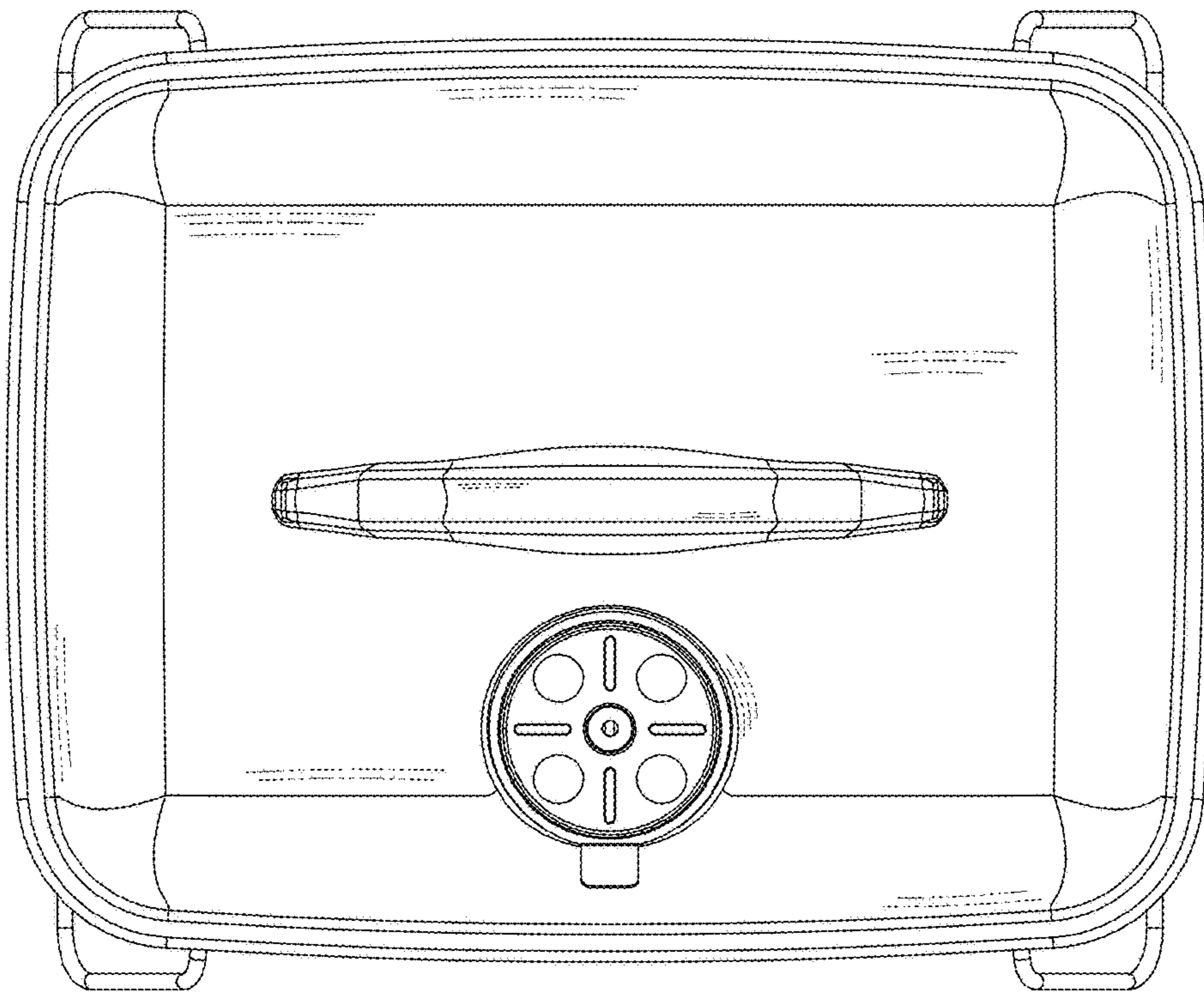


FIG. 6



FIG. 7

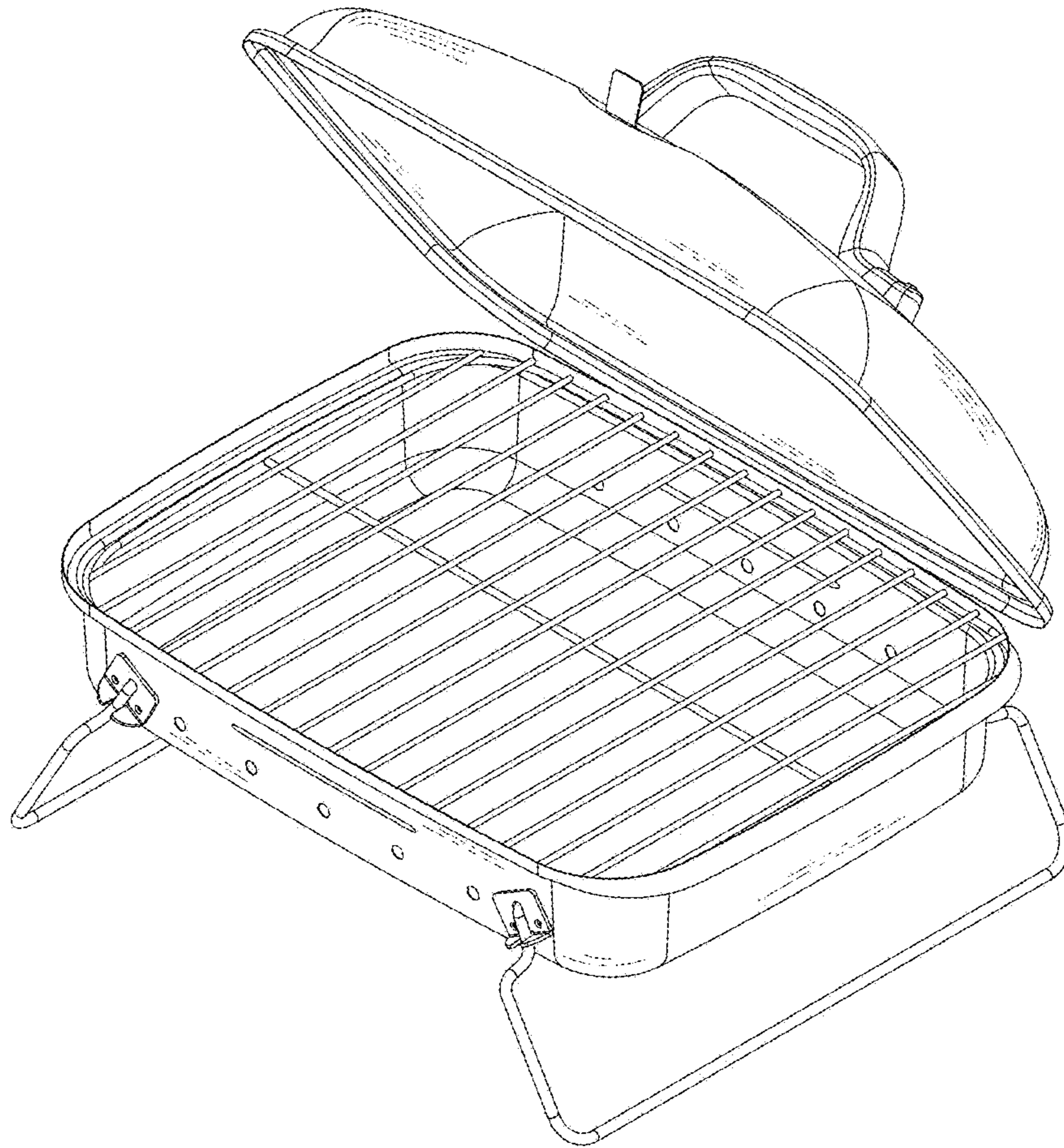


FIG. 8