



US00D814224S

(12) **United States Design Patent**
Holt

(10) **Patent No.:** **US D814,224 S**

(45) **Date of Patent:** **** Apr. 3, 2018**

(54) **BARBEQUE GRILL**

(71) Applicant: **Graham Holt**, Brantford (CA)

(72) Inventor: **Graham Holt**, Brantford (CA)

(**) Term: **15 Years**

(21) Appl. No.: **29/573,004**

(22) Filed: **Aug. 2, 2016**

(51) **LOC (11) Cl.** **07-02**

(52) **U.S. Cl.**
USPC **D7/332**

(58) **Field of Classification Search**
USPC D7/332-337, 402-411; 126/152 R, 25 R;
D23/343, 348
CPC .. A47J 37/067; A47J 37/0694; A47J 37/0786;
A47J 37/0704; A47J 37/0713; A47J
37/0781; A47J 37/0777; A47J 37/0763;
A47J 37/0611; A47J 37/0709; A47J
37/0676; F24C 15/16

See application file for complete search history.

6,178,965 B1 * 1/2001 Sulak F24B 1/181
126/25 R
D618,033 S * 6/2010 Maire D7/334
9,675,171 B2 * 6/2017 Kahler A47B 37/04
2005/0109331 A1 * 5/2005 Chao A47J 37/0781
126/25 R
2007/0017500 A1 * 1/2007 Chen A47J 37/0704
126/25 R
2011/0162634 A1 * 7/2011 Richard A47J 37/0781
126/25 R

* cited by examiner

Primary Examiner — Susan Bennett Hattan

Assistant Examiner — Brett Miller

(74) *Attorney, Agent, or Firm* — Ridout & Maybee LLP;
Mark A. Koch

(57) **CLAIM**

The ornamental design for a barbecue grill, as shown and described.

DESCRIPTION

FIG. 1 is a top end view of the present invention a barbecue grill.

FIG. 2 is a front top perspective view of the present invention a barbecue grill.

FIG. 3 is a front elevation view of the present invention a barbecue grill.

FIG. 4 is a back elevation view of the present invention a barbecue grill; and,

FIG. 5 is a back top perspective view of the present invention a barbecue grill.

(56) **References Cited**

U.S. PATENT DOCUMENTS

3,455,291 A * 7/1969 Glass A47J 37/0704
126/25 R
D262,427 S * 12/1981 Boston D7/333
D270,987 S * 10/1983 Scheufler D7/335
4,481,408 A * 11/1984 Scheufler A47J 37/0704
126/258
D286,002 S * 10/1986 Brix D7/332
5,183,027 A * 2/1993 Saldana A47J 37/0704
108/50.13
6,065,466 A * 5/2000 Baykal A47J 37/0781
108/50.12

1 Claim, 5 Drawing Sheets

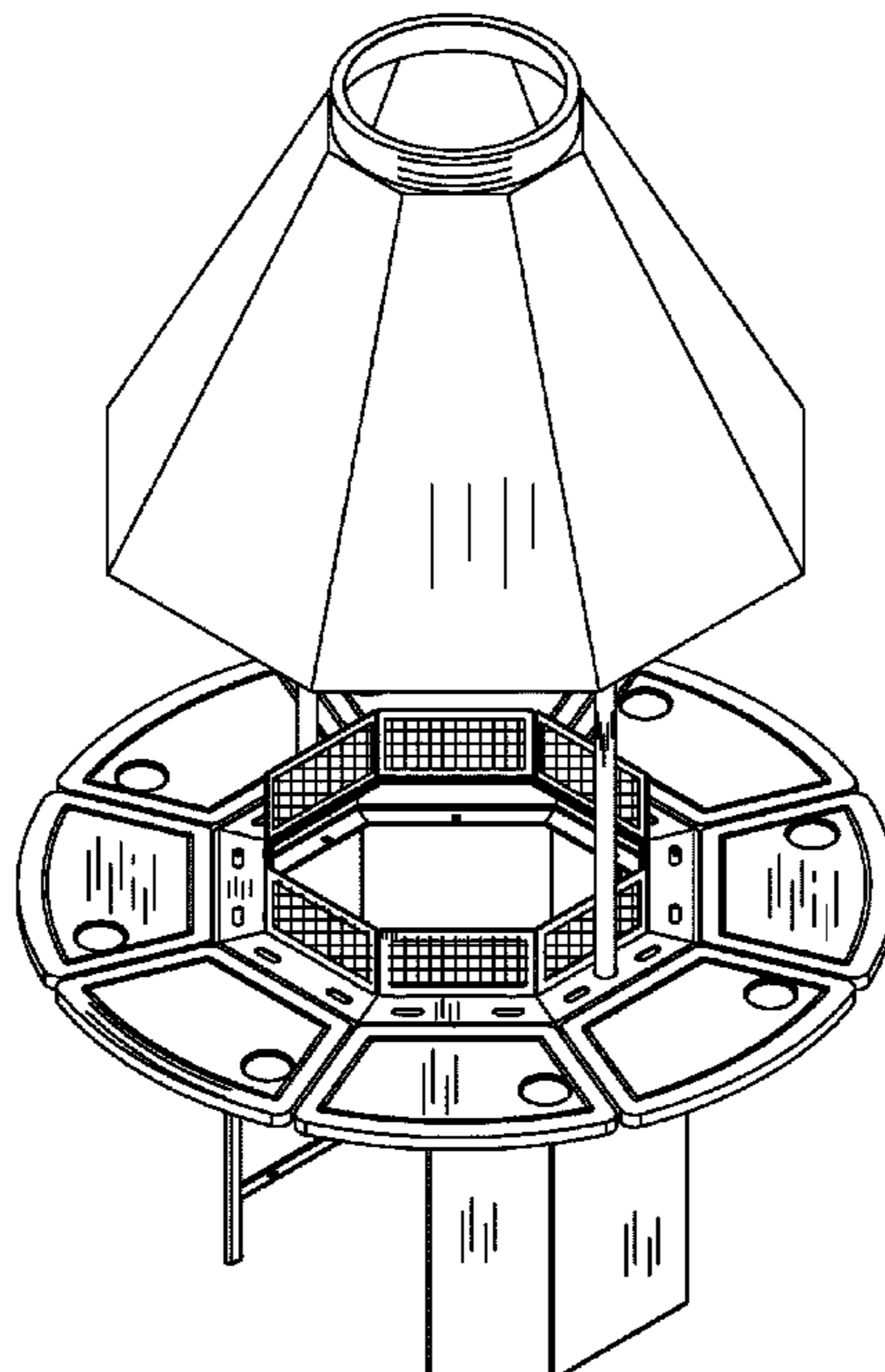


Fig. 1

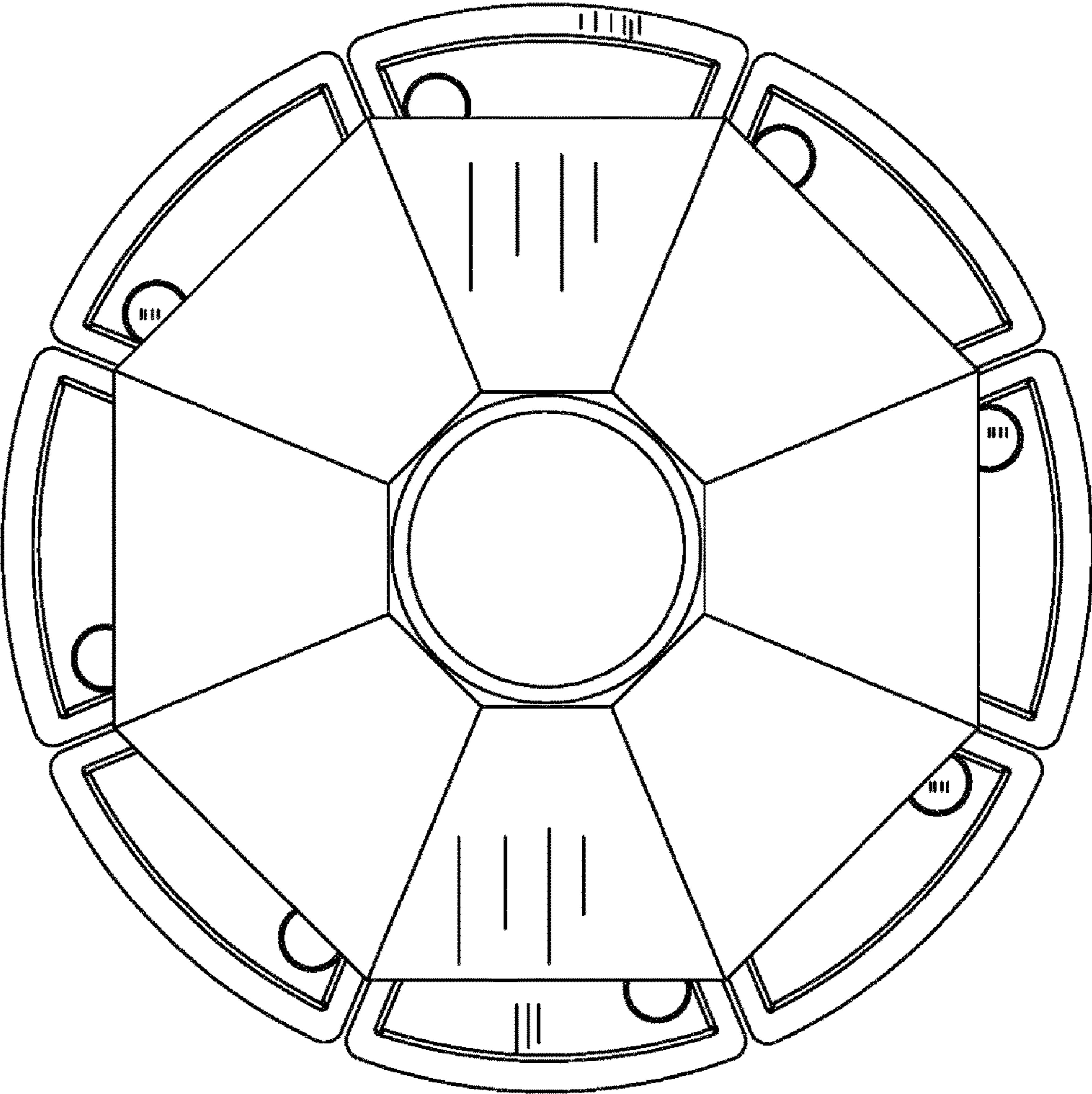


Fig. 2

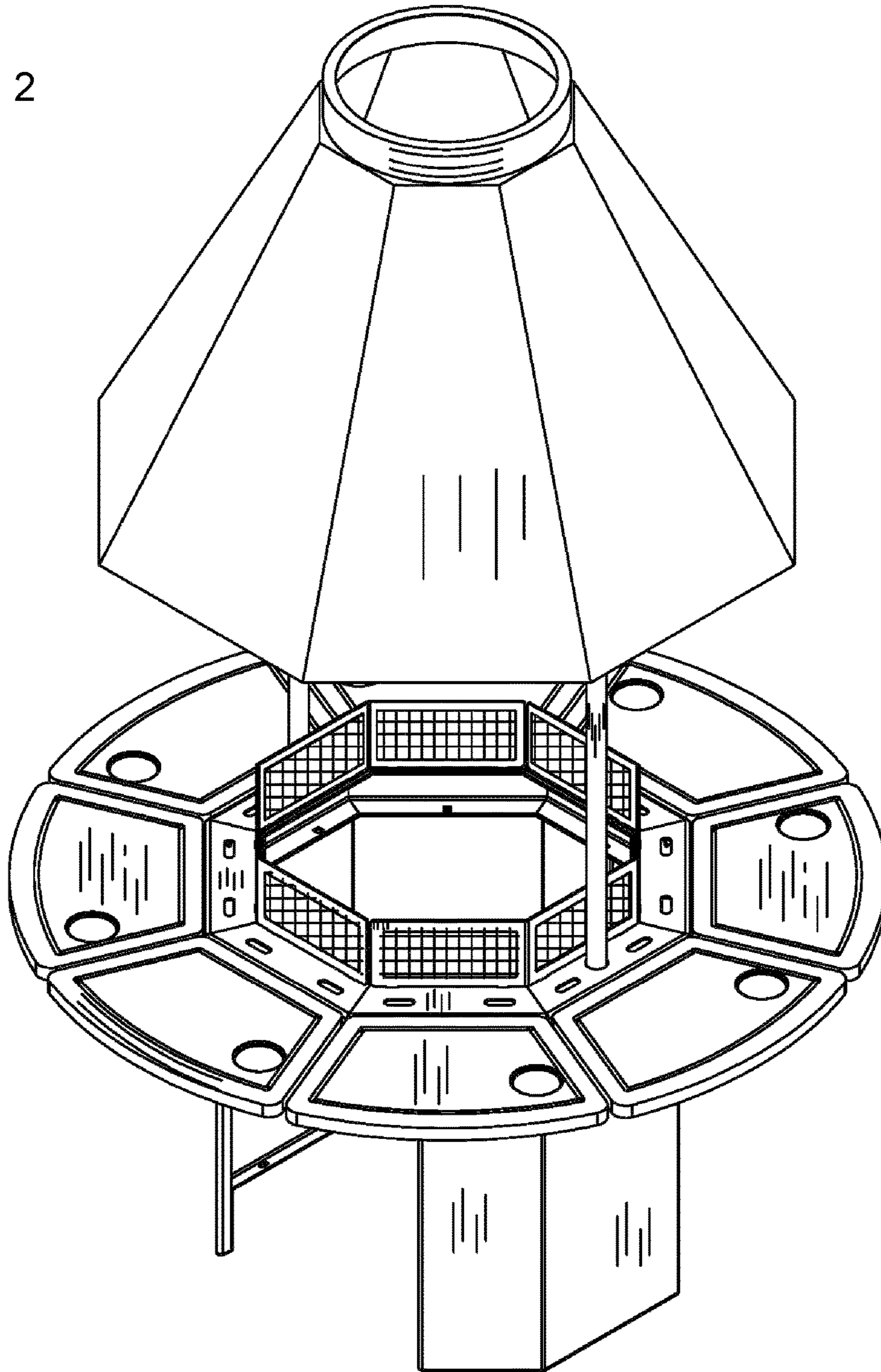


Fig. 3

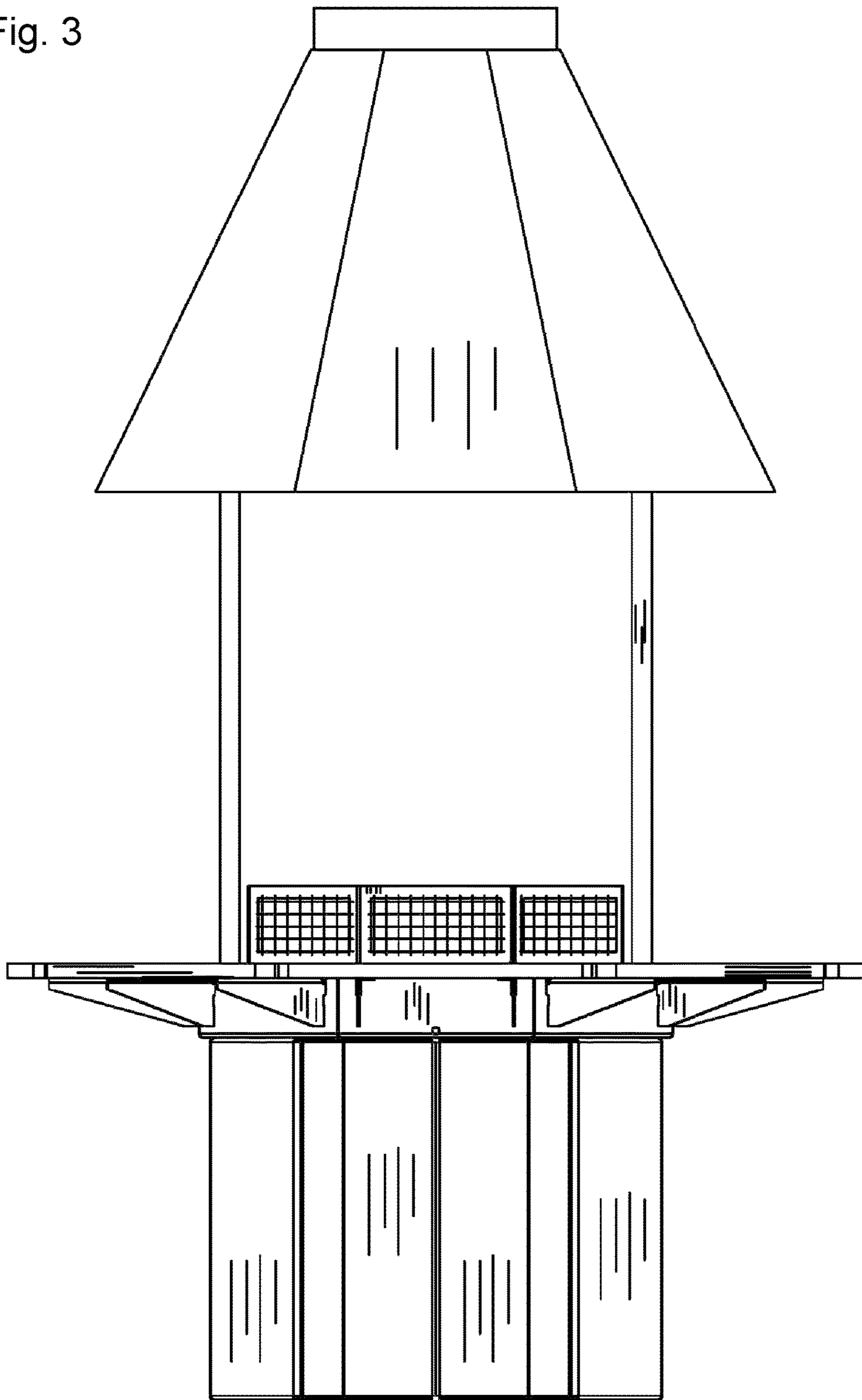


Fig. 4

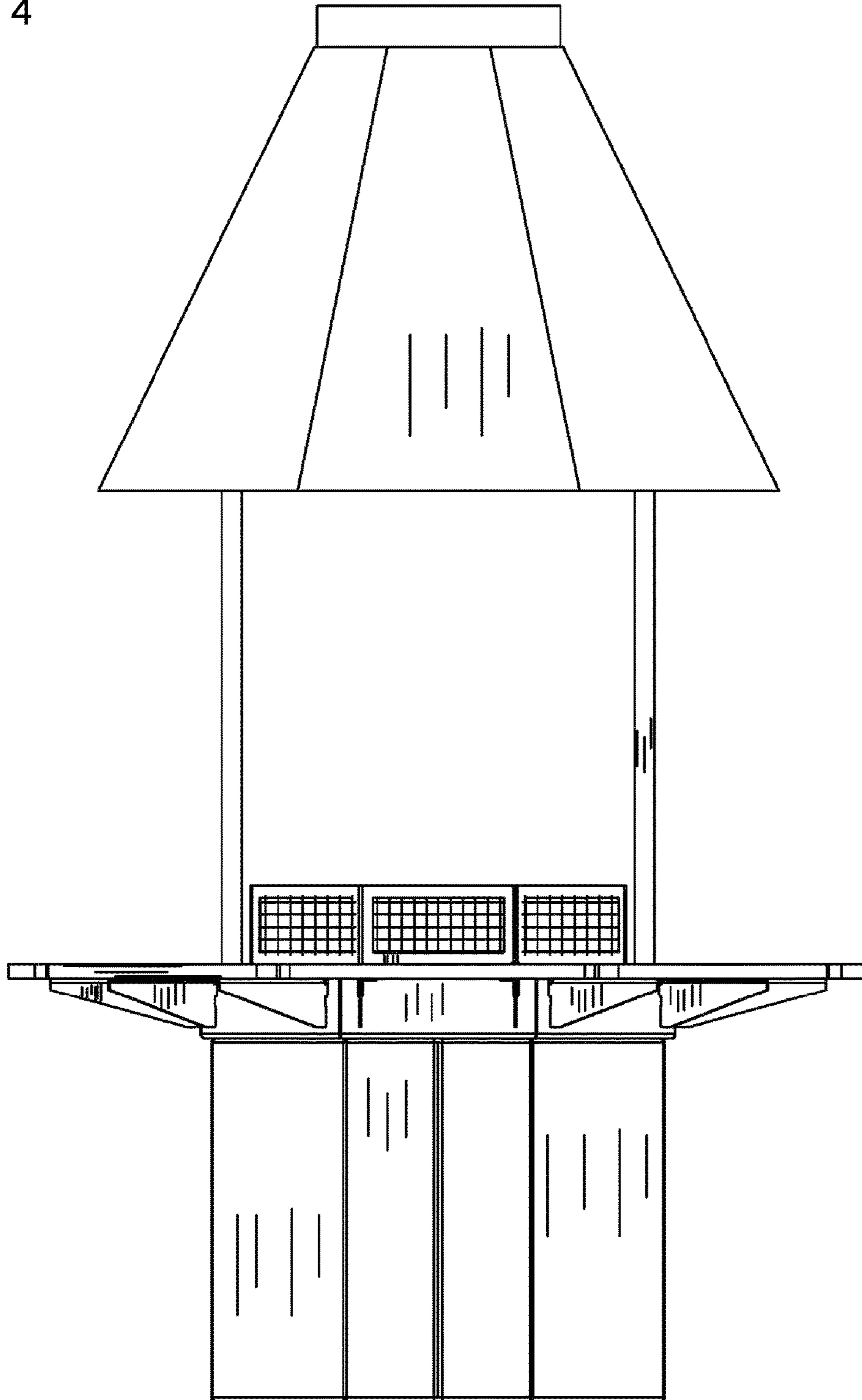


Fig. 5

