



US00D814223S

(12) **United States Design Patent** (10) **Patent No.:** **US D814,223 S**
Barquin et al. (45) **Date of Patent:** **** Apr. 3, 2018**

- (54) **TOASTER WITH STRIPED SIDE WALL**
- (71) Applicant: **Spectrum Brands, Inc.**, Middleton, WI (US)
- (72) Inventors: **Francisco Javier Barquin**, Madison, WI (US); **Claudia del Conte**, Madison, WI (US); **Celia Carroll**, Madison, WI (US); **Jacquelyn Holmes**, Madison, WI (US)
- (73) Assignee: **Spectrum Brands, Inc.**, Middleton, WI (US)
- (**) Term: **15 Years**
- (21) Appl. No.: **29/597,428**
- (22) Filed: **Mar. 16, 2017**
- (51) **LOC (11) Cl.** **07-02**
- (52) **U.S. Cl.**
USPC **D7/330**
- (58) **Field of Classification Search**
USPC D7/323, 328-330, 390
CPC ... A21B 2/00; A47J 37/00; A47J 37/06; A47J 37/0611; A47J 37/08; A47J 37/0807; A47J 37/0814; A47J 37/0835; A47J 37/0842; A47J 37/085; A47J 37/0864; A47J 37/0878; A47J 37/0885; A47J 37/0892; F24C 15/10; F24C 15/102
See application file for complete search history.

D553,421 S *	10/2007	Kim	D7/330
D567,570 S *	4/2008	O'Loughlin	D7/330
D632,124 S *	2/2011	Thomas	D7/330
D640,893 S *	7/2011	Lindquist	D7/330
D644,473 S *	9/2011	Pantaleo	D7/330
D688,509 S *	8/2013	Carlson	D7/330
D746,624 S *	1/2016	Sun	D7/330
D761,610 S *	7/2016	Carpenter	D7/330
D791,526 S *	7/2017	Rose	D7/330

OTHER PUBLICATIONS

"2-Slice Digital Toaster," Black and Decker; disclosure date unknown but prior to filing date of present application; <URL: <http://www.blackanddeckerappliances.com/products/cooking-appliances/toasters/TR2350S-2-Slice-Toaster.aspx>>.

* cited by examiner

Primary Examiner — Ricky Pham
(74) Attorney, Agent, or Firm — Banner & Witcoff, Ltd.

(57) **CLAIM**

The ornamental design for a toaster with striped side wall, as shown and described.

DESCRIPTION

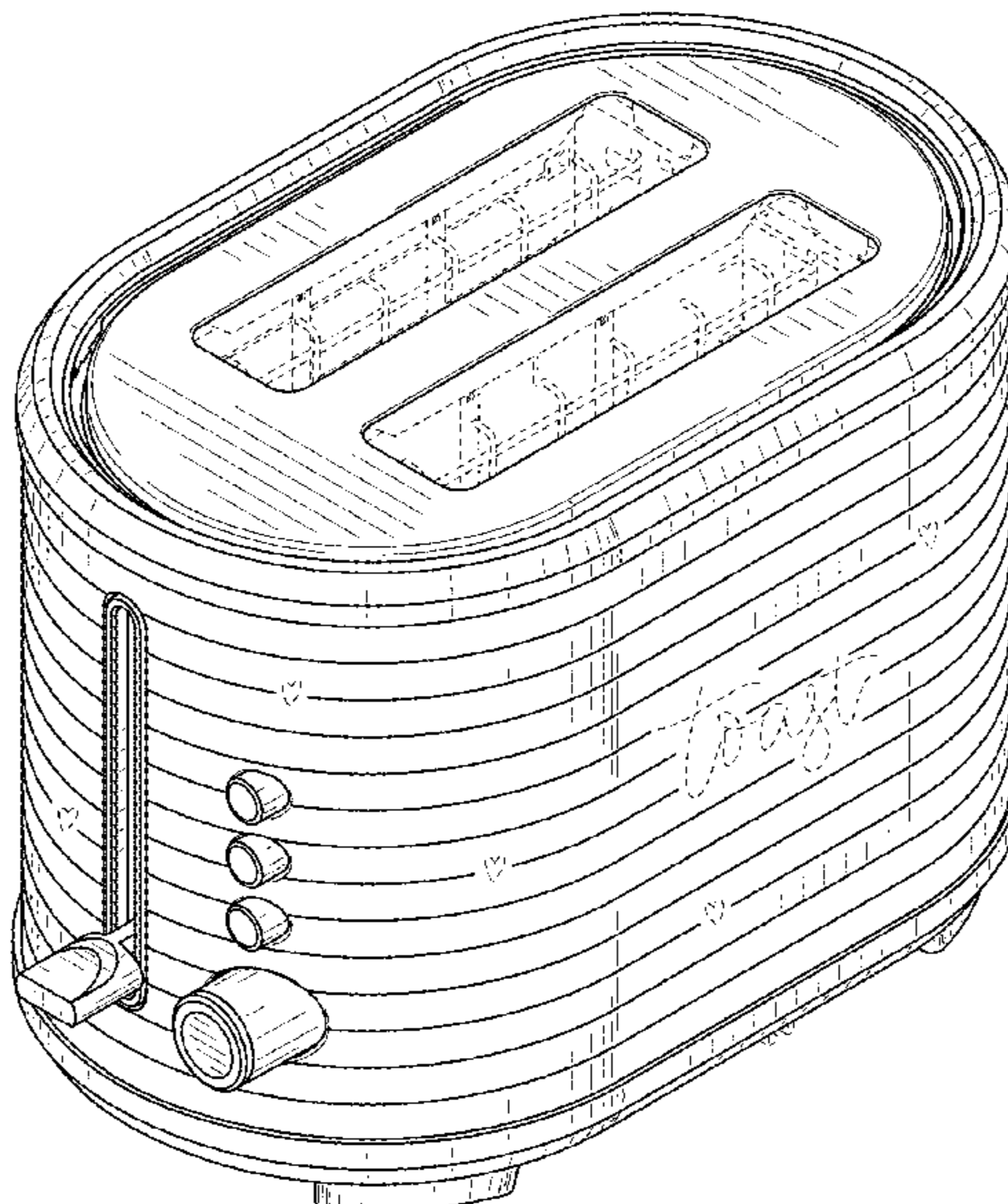
FIG. 1 is a front perspective view of a toaster with surface ornamentation of a horizontal striped side wall; FIG. 2 is a front view thereof; FIG. 3 is a rear view thereof; FIG. 4 is a right side view thereof; FIG. 5 is a left side view thereof; FIG. 6 is a top view thereof; and, FIG. 7 is a bottom view thereof. The broken line showing of the various unshaded elements of the toaster with striped side wall represents unclaimed subject matter and forms no part of the claimed design.

1 Claim, 5 Drawing Sheets

(56) **References Cited**

U.S. PATENT DOCUMENTS

D472,421 S *	4/2003	To	D7/330
D490,267 S *	5/2004	Berthier	D7/330
D548,512 S *	8/2007	Nakatani	D7/330
D552,918 S *	10/2007	Kim	D7/330



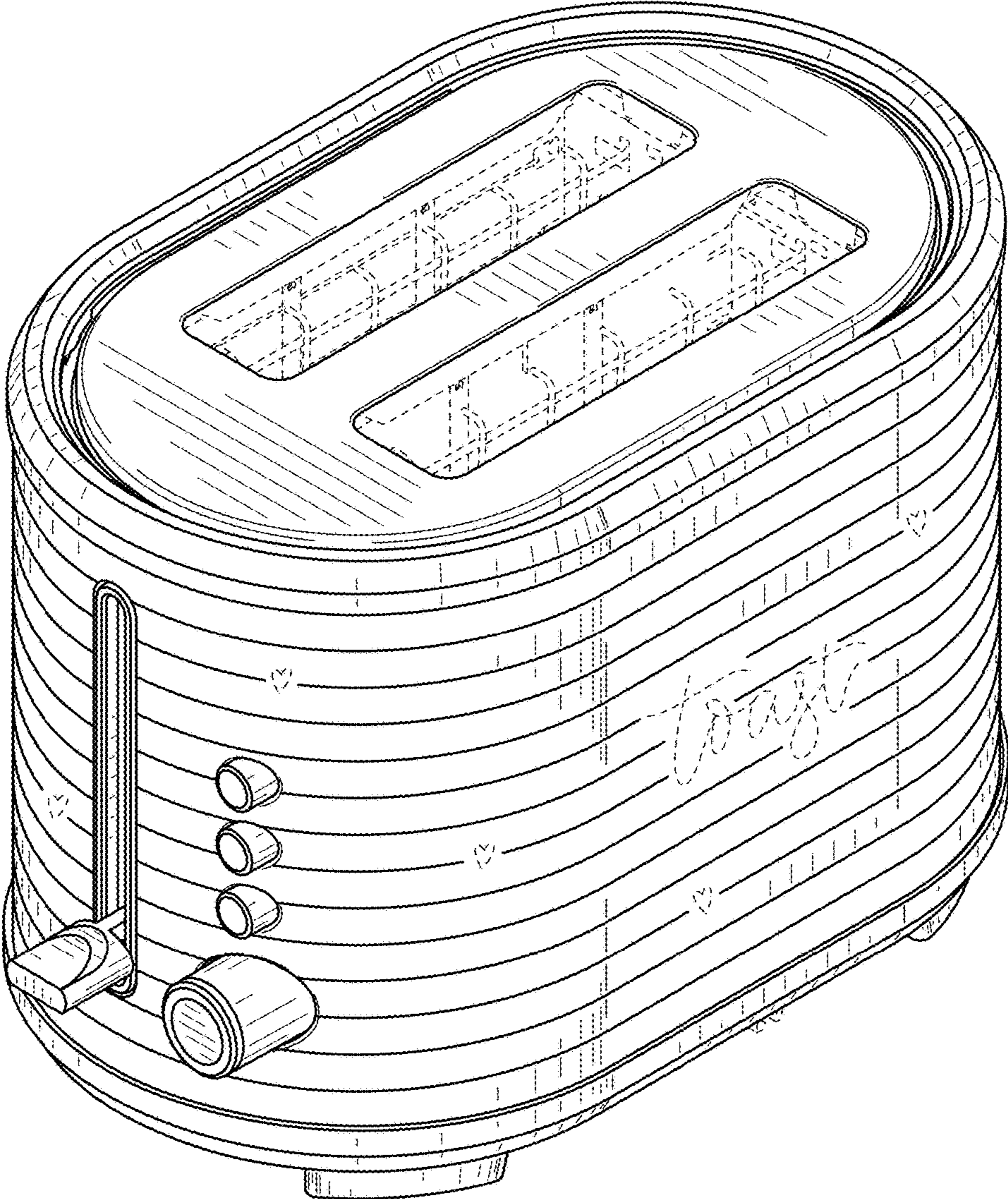


FIG. 1

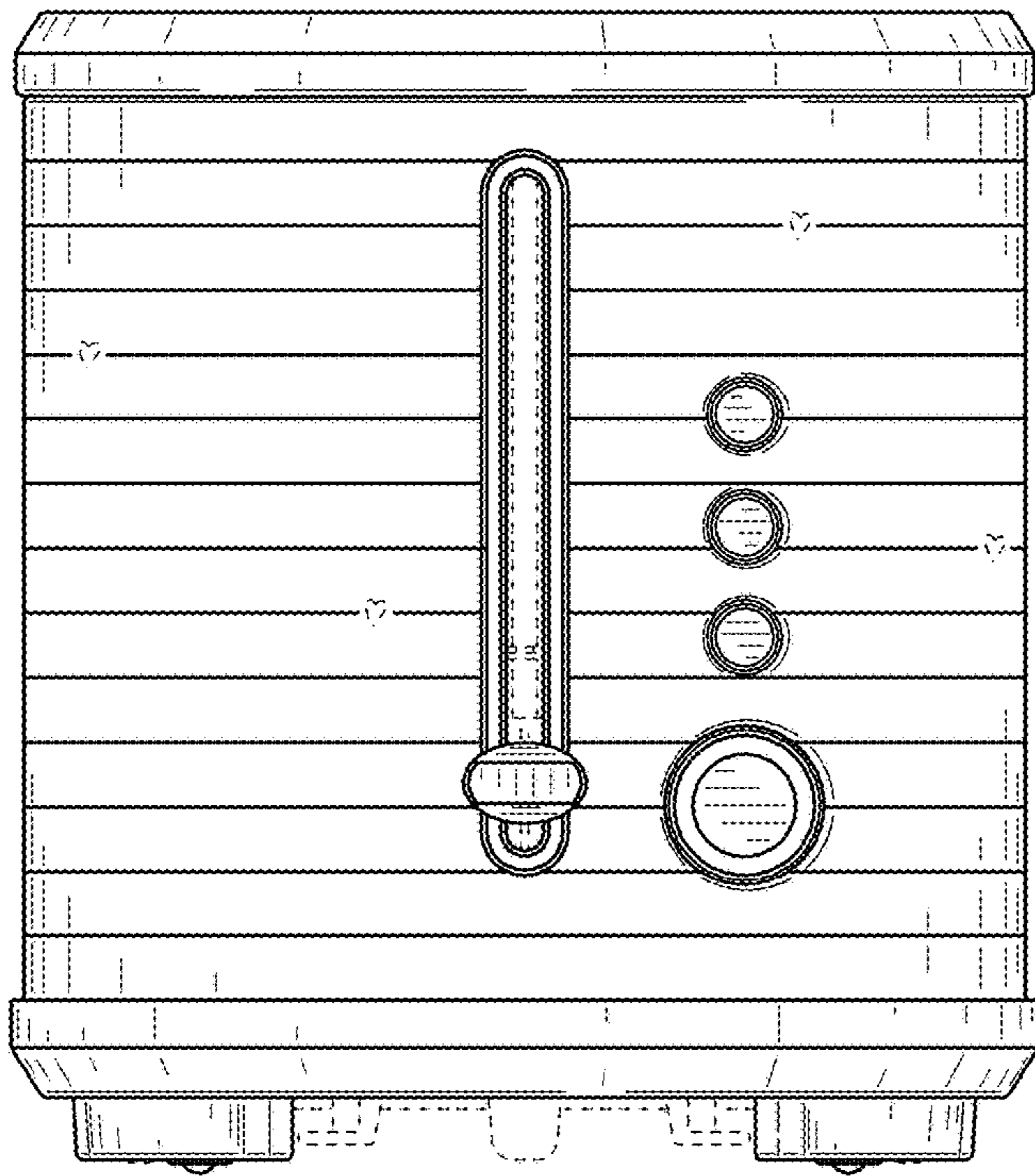


FIG. 2

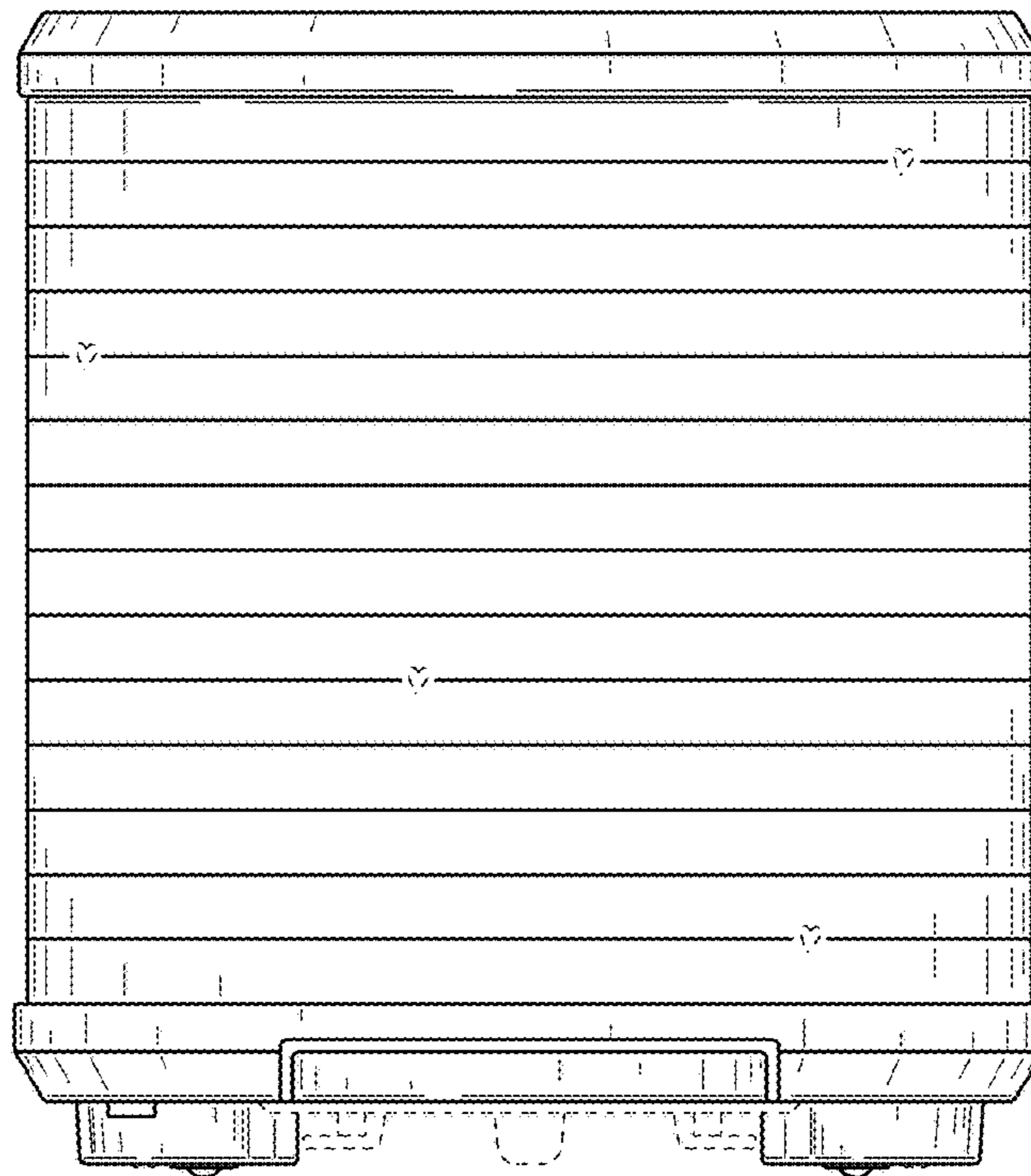


FIG. 3

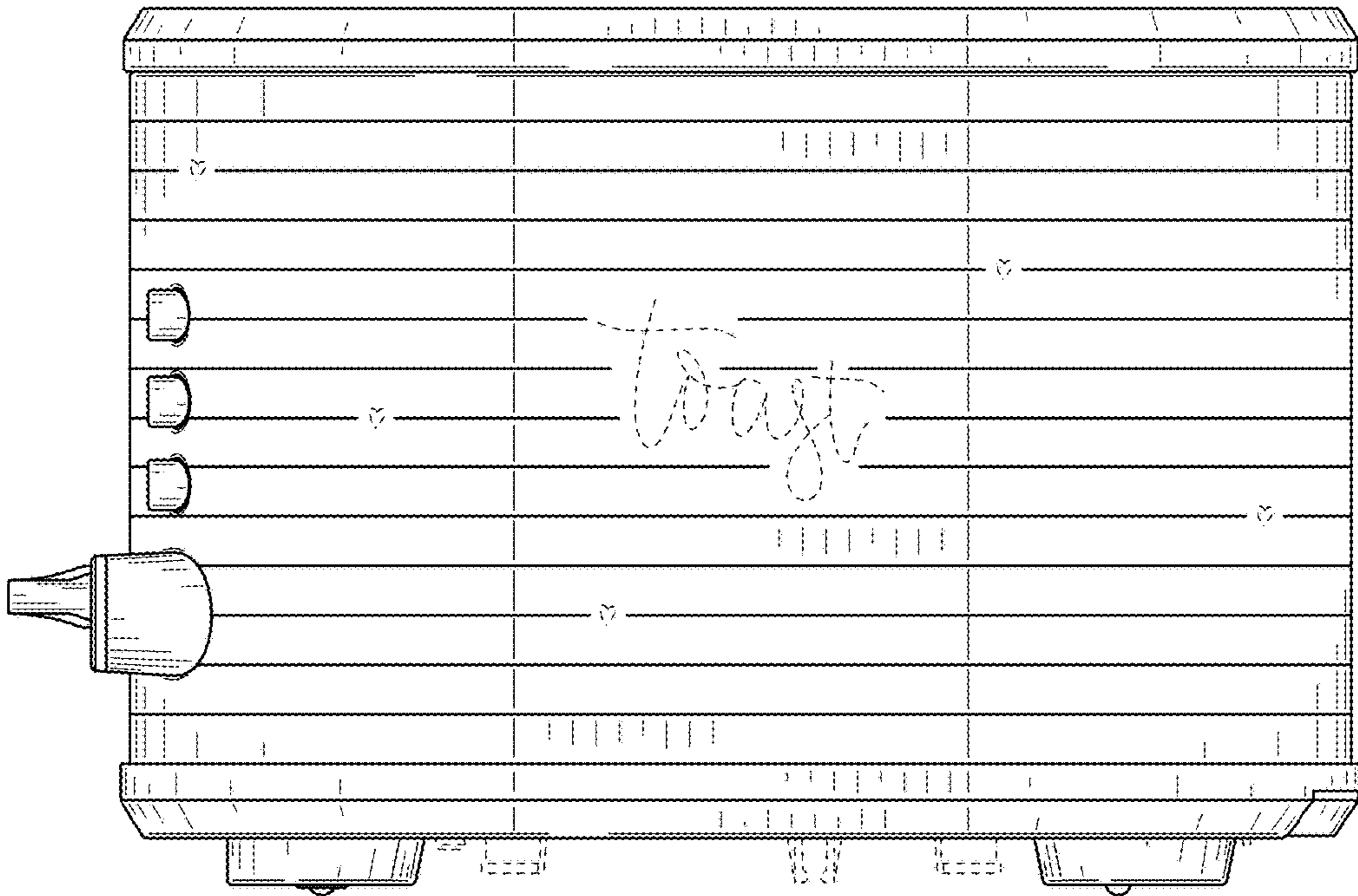


FIG. 4

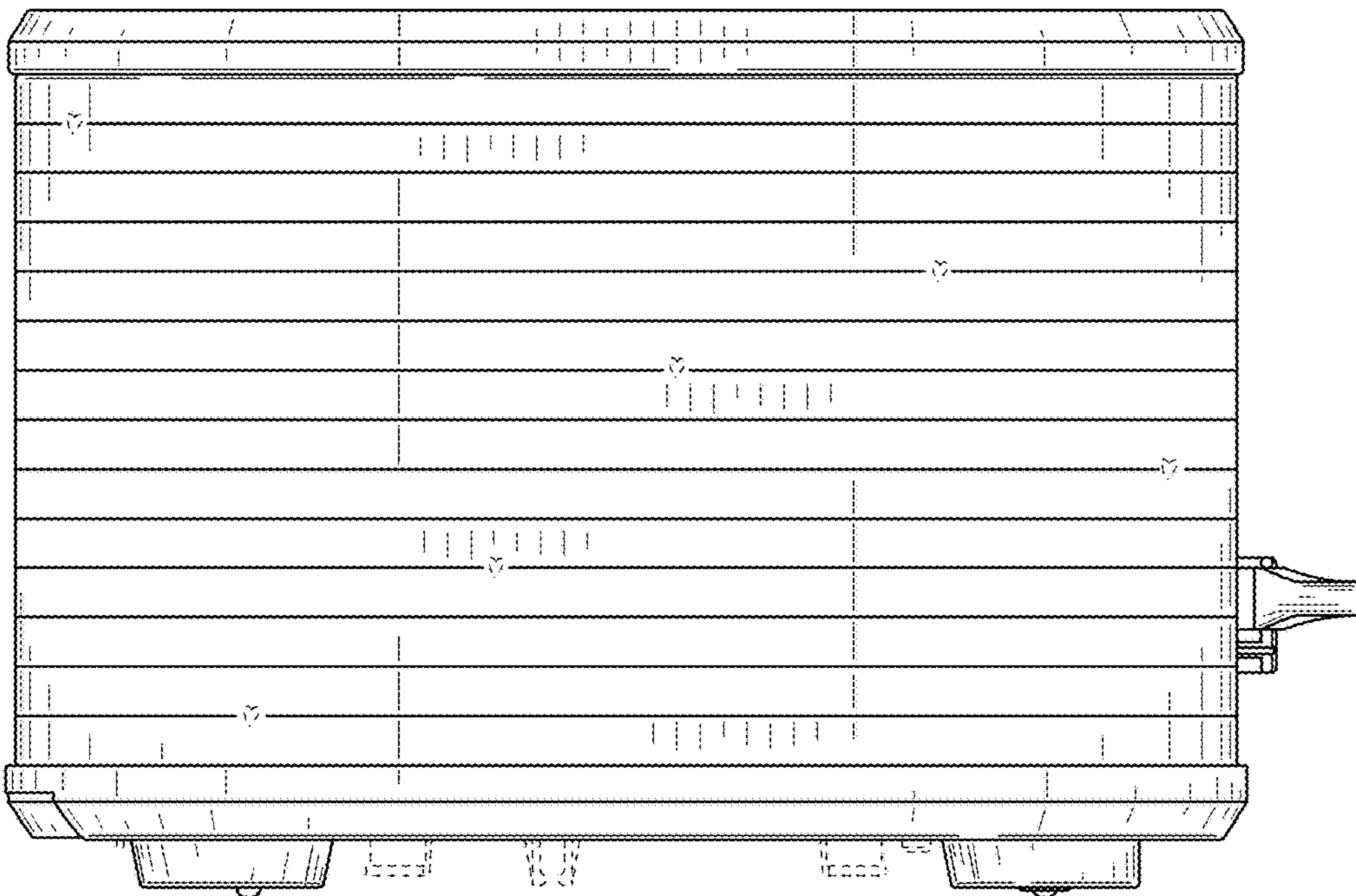


FIG. 5

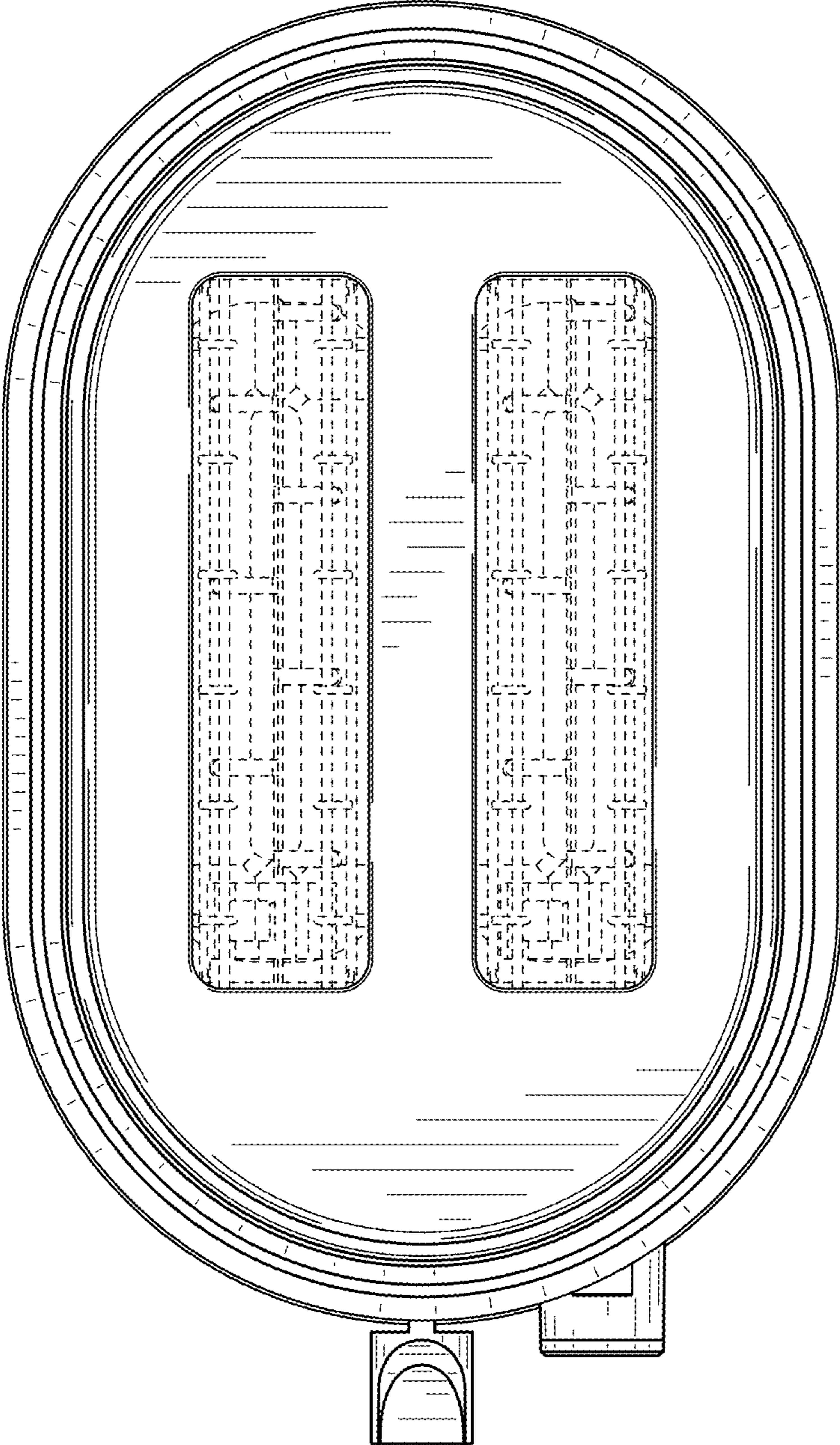


FIG. 6

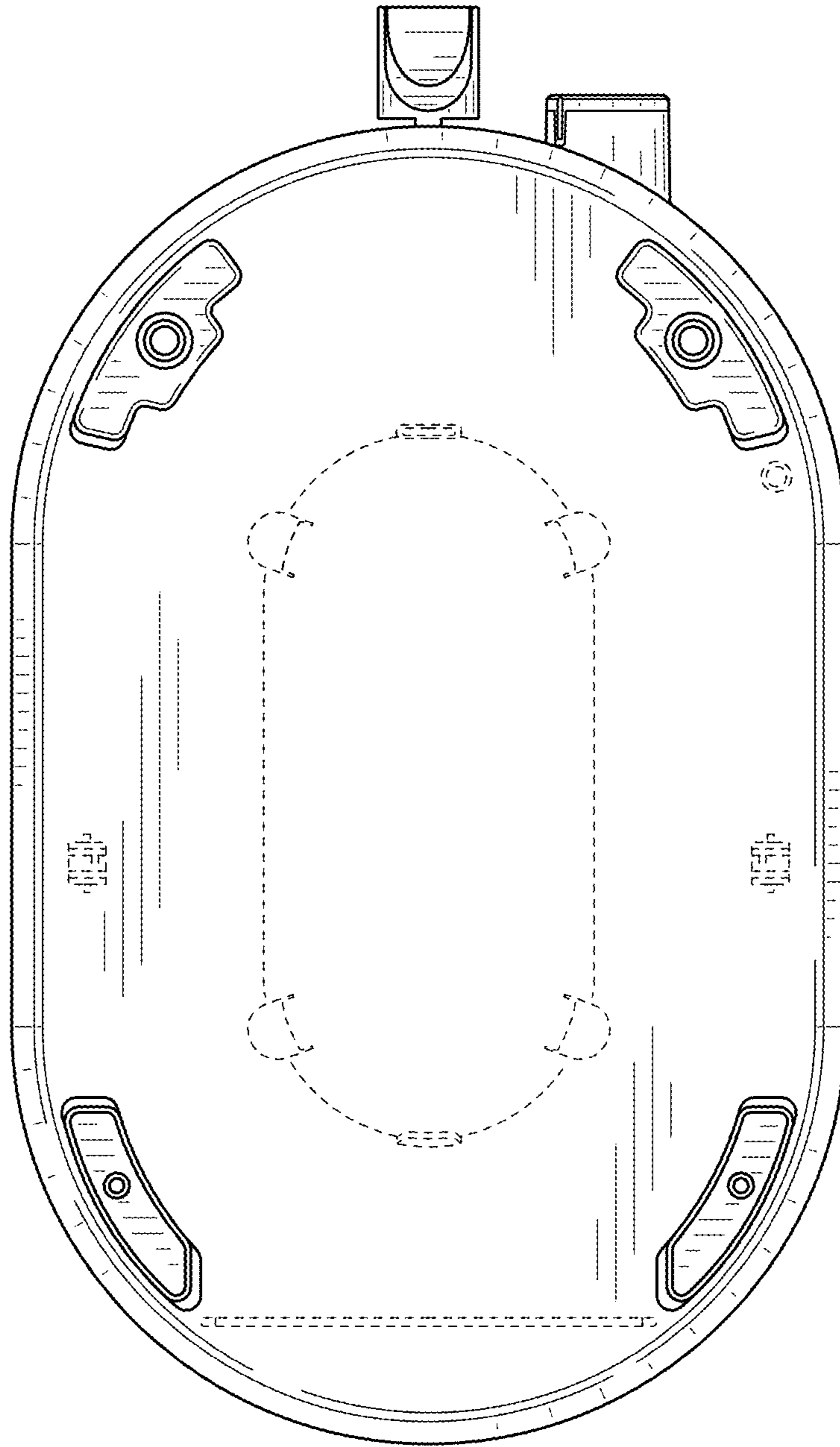


FIG. 7