



US00D814222S

(12) **United States Design Patent** (10) **Patent No.:** **US D814,222 S**
Bronwasser (45) **Date of Patent:** **** Apr. 3, 2018**

(54) **ICED TEA PITCHER**
(71) Applicant: **Conopco, Inc.**, Englewood Cliffs, NJ (US)
(72) Inventor: **Robert Wim Bronwasser**, Amsterdam (NL)
(73) Assignee: **Conopco, Inc.**, Englewood Cliffs, NJ (US)

D584,912 S * 1/2009 Green D7/317
D683,175 S * 5/2013 Adams D7/312
D772,635 S * 11/2016 Zhu D7/317
2001/0014361 A1 8/2001 Gutwein et al.
2003/0192434 A1 10/2003 Koslow et al.
2004/0194632 A1 10/2004 Chung et al.
2012/0024161 A1 2/2012 Chen et al.
2012/0258204 A1 10/2012 Tsuji et al.
2016/0287002 A1* 10/2016 Van Breugel A47J 31/0615

(**) Term: **15 Years**
(21) Appl. No.: **29/560,368**
(22) Filed: **Apr. 6, 2016**

FOREIGN PATENT DOCUMENTS

CN 2342718 10/1999
CN 200980584 11/2007
WO WO0051480 9/2000
WO WO2004002235 1/2004
WO WO2010097011 9/2010
WO WO2012013519 2/2012
WO WO2013011154 1/2013
WO WO2015067551 5/2015

(30) **Foreign Application Priority Data**
Oct. 12, 2015 (EM) 002820035-0001

* cited by examiner

(51) **LOC (11) Cl.** **07-01**
(52) **U.S. Cl.**
USPC **D7/318**
(58) **Field of Classification Search**
USPC D7/317, 318, 321; D23/209; 220/703
CPC A47J 31/06; A47G 19/14; A47G 19/145;
B65D 43/02; B01D 35/02
See application file for complete search history.

Primary Examiner — Daniel D Bui
Assistant Examiner — Andrew Kerr
(74) *Attorney, Agent, or Firm* — Gerard J. McGowan, Jr.

(56) **References Cited**

(57) **CLAIM**

The ornamental design for an iced tea pitcher, as shown and described.

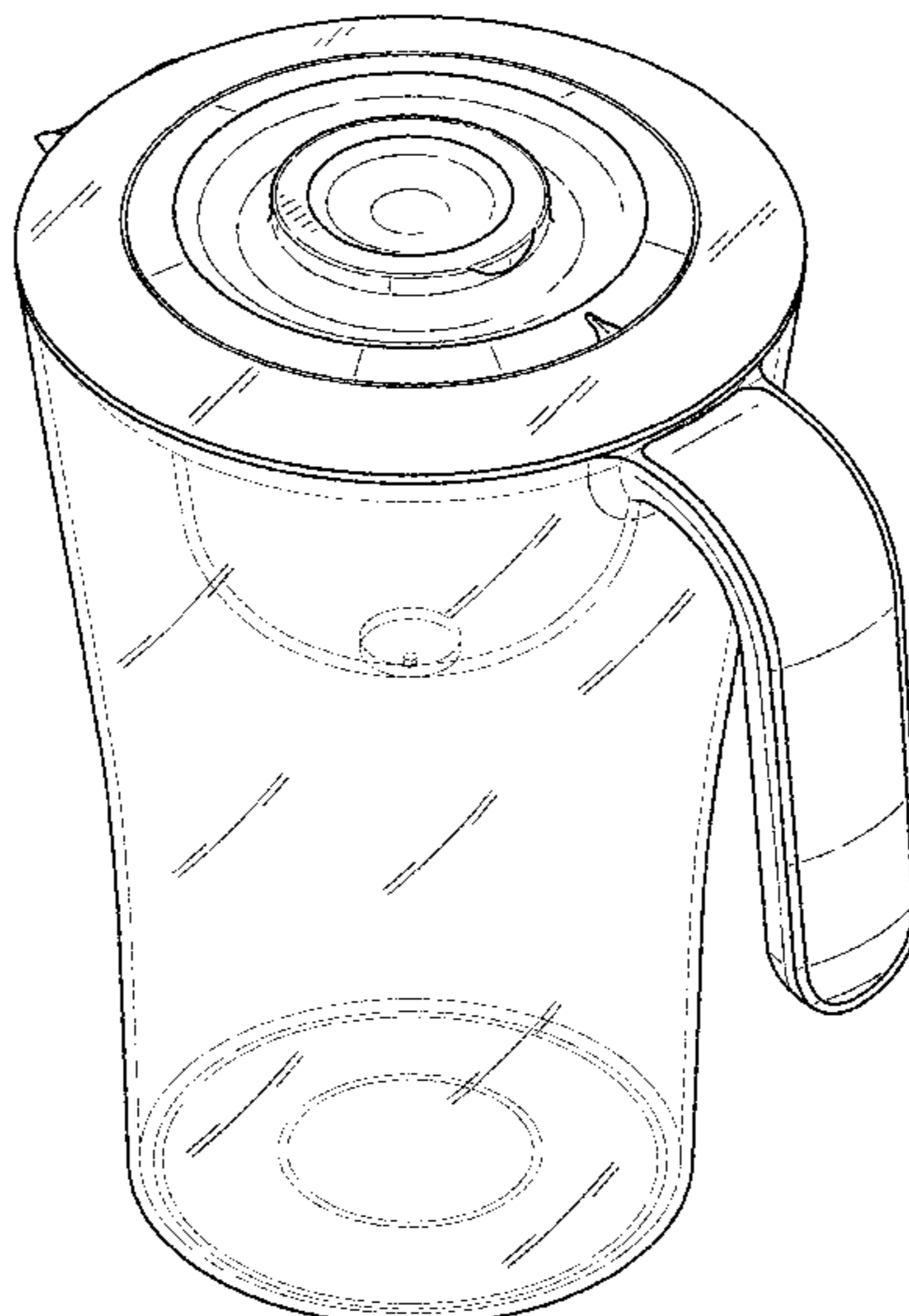
U.S. PATENT DOCUMENTS

DESCRIPTION

5,632,194 A 5/1997 Lin
5,633,026 A 5/1997 Gruenbacher et al.
5,725,765 A 3/1998 Shen
D403,200 S * 12/1998 Joergensen D7/317
5,855,160 A 1/1999 Shen
D435,995 S * 1/2001 Mano D7/317
6,235,323 B1 5/2001 Carns et al.
6,276,262 B1 8/2001 Chen
6,494,128 B1 12/2002 Yu
D545,111 S * 6/2007 Brown D7/317

FIG. 1 is a perspective view of an iced tea pitcher showing my new design;
FIG. 2 is a front elevational view thereof;
FIG. 3 is a rear elevational view thereof;
FIG. 4 is a right side elevational view thereof;
FIG. 5 is a top plan view thereof;
FIG. 6 is a bottom plan view thereof; and,
FIG. 7 is a right side elevational cross-sectional view thereof.

1 Claim, 7 Drawing Sheets



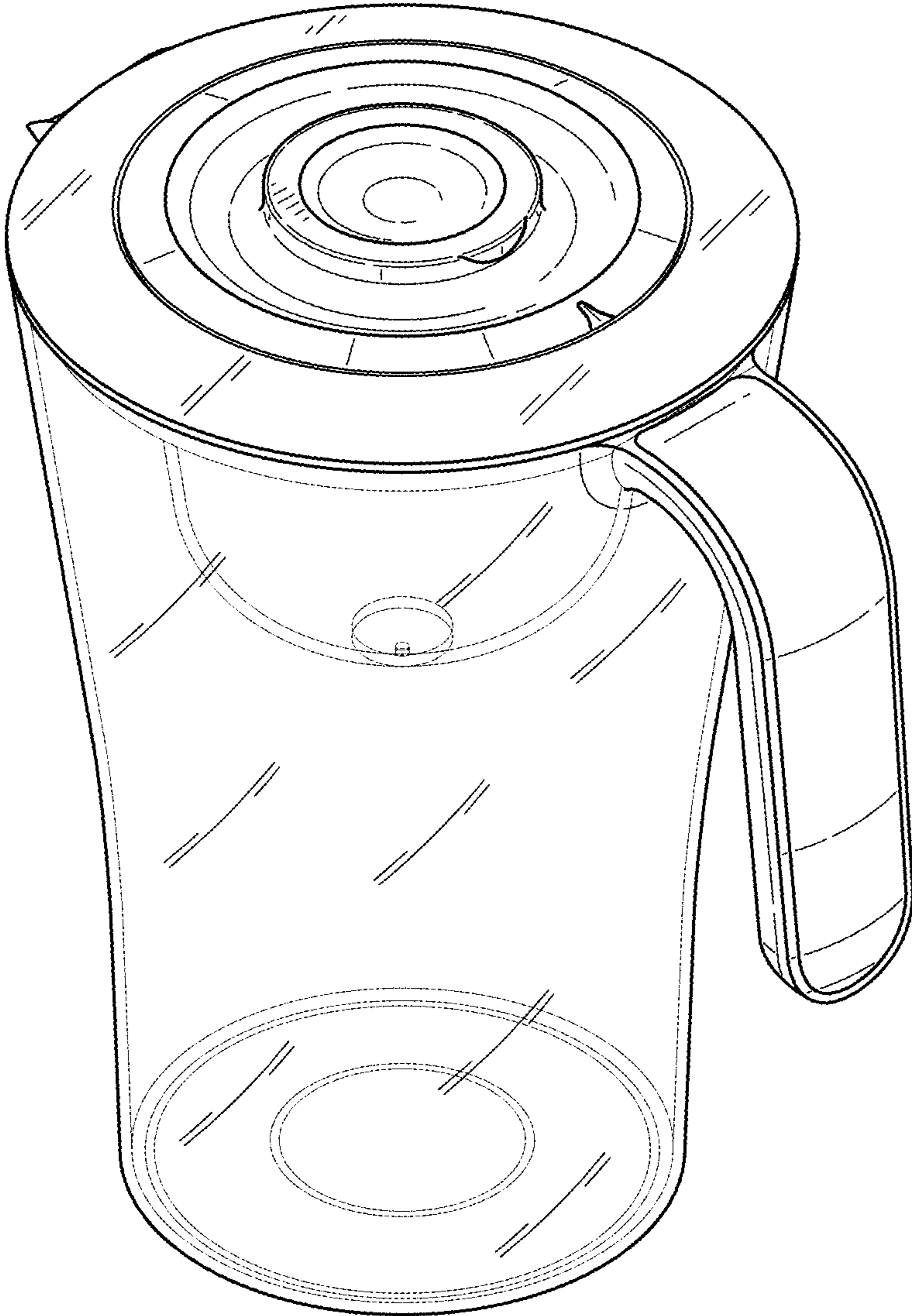


Fig. 1

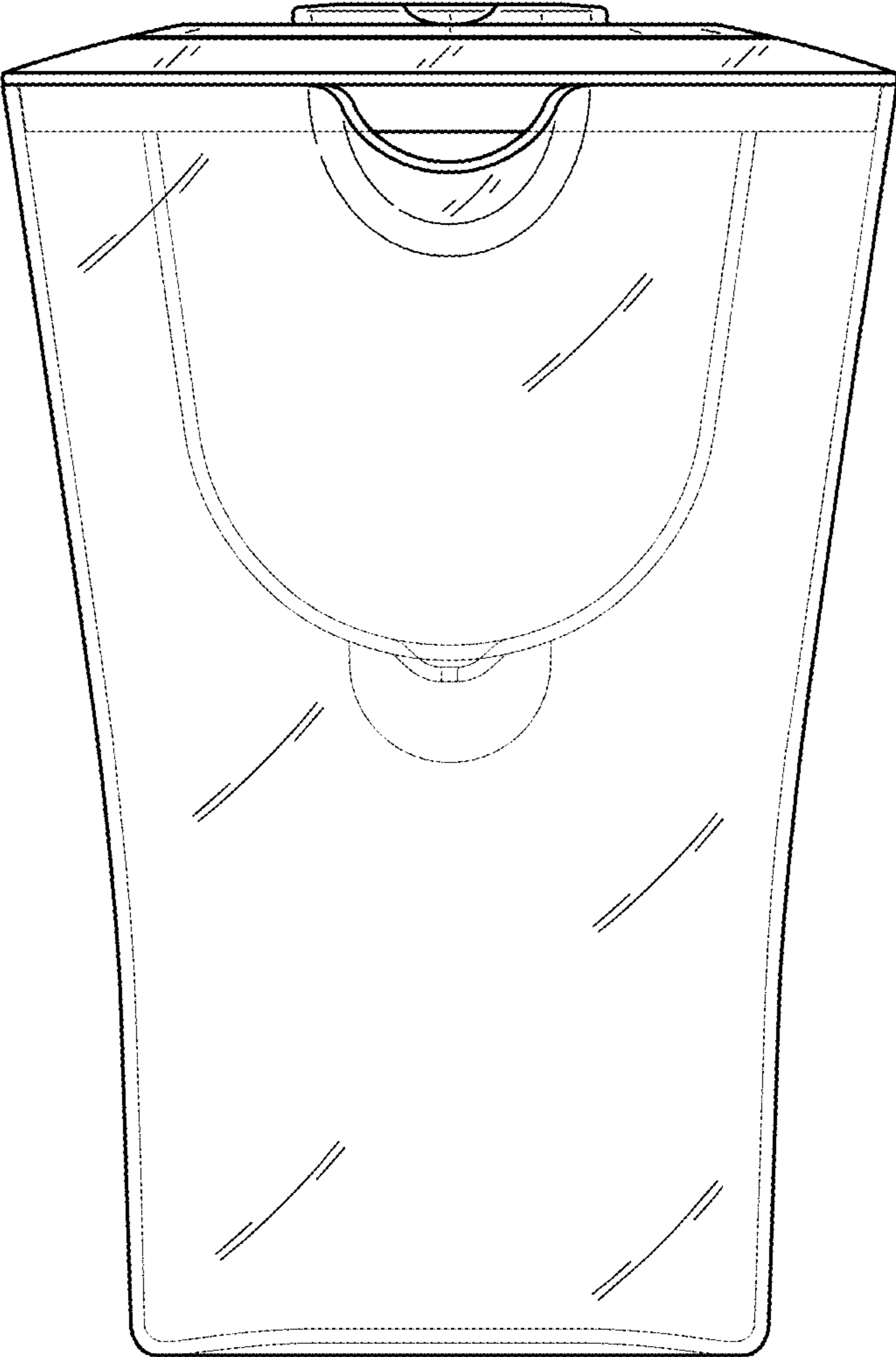


Fig. 2

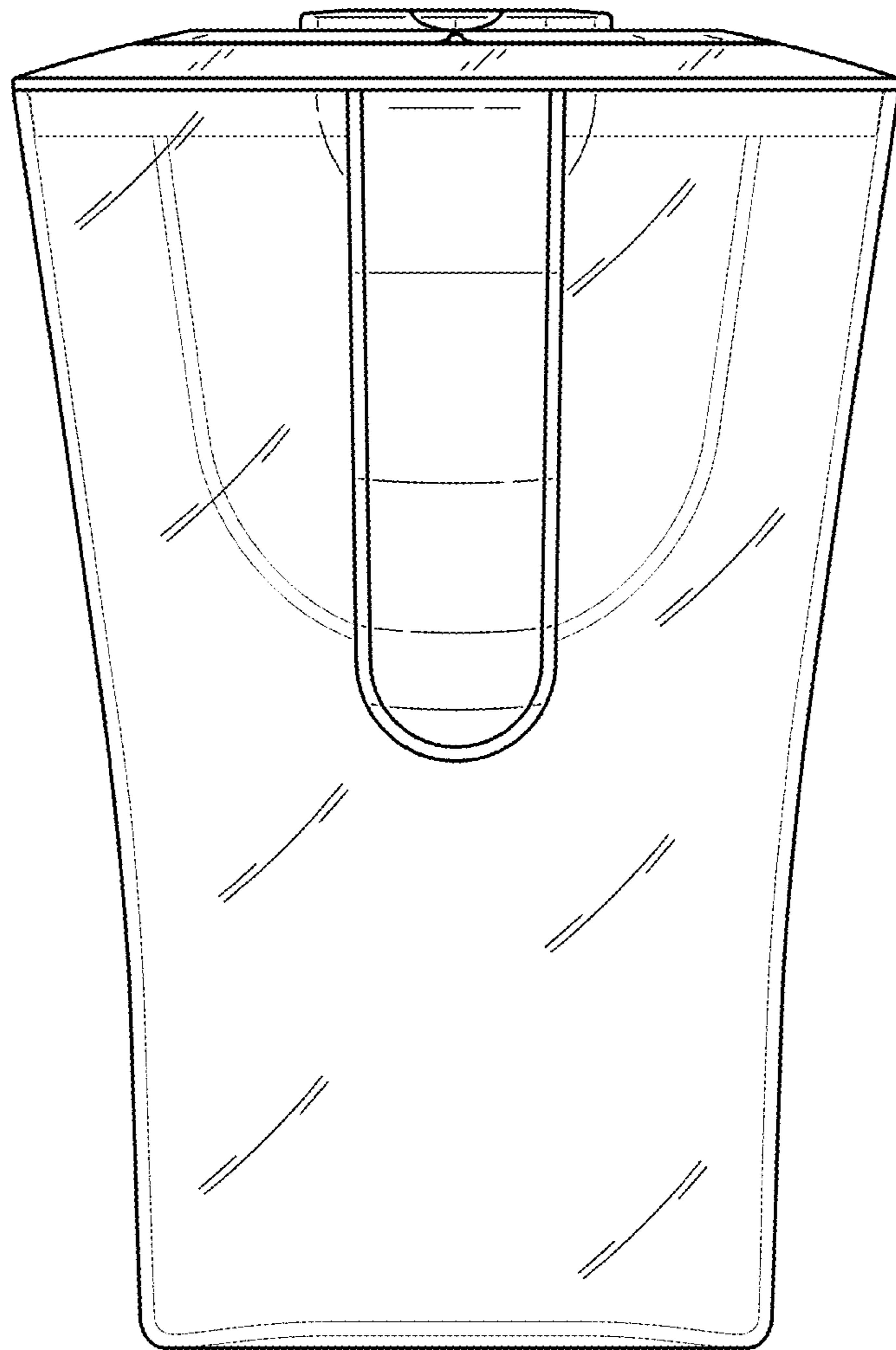


Fig. 3



Fig. 4

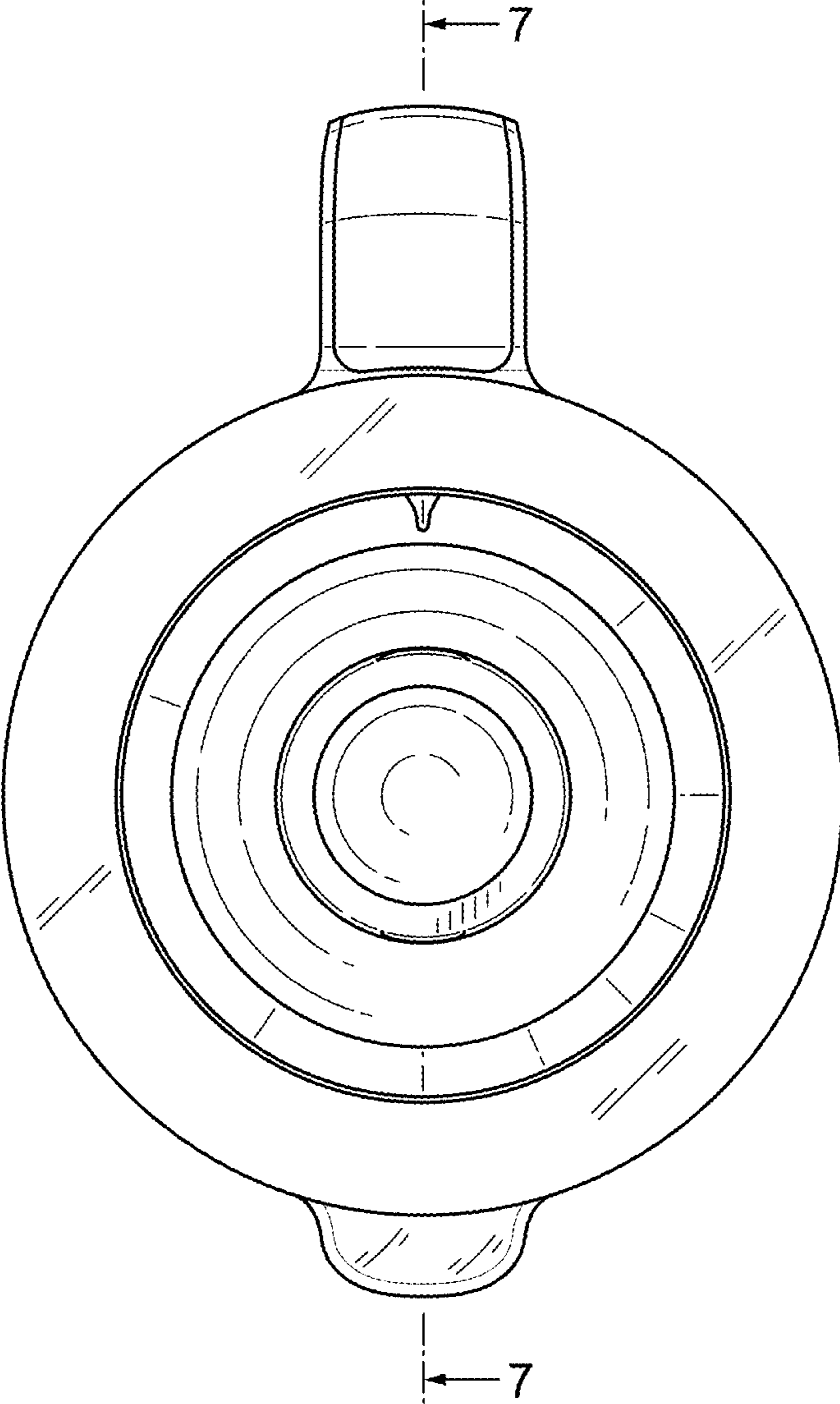


Fig. 5

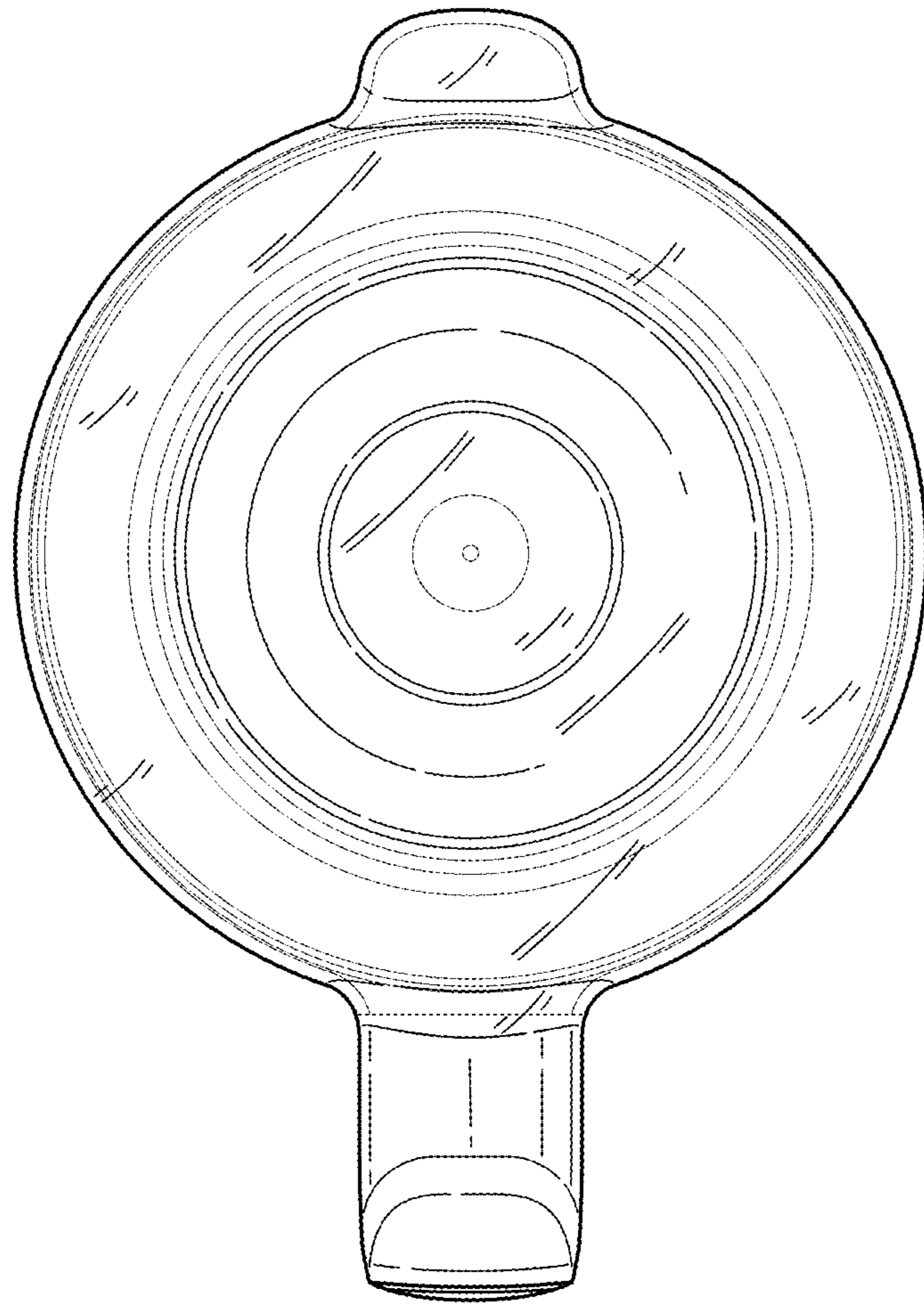


Fig. 6

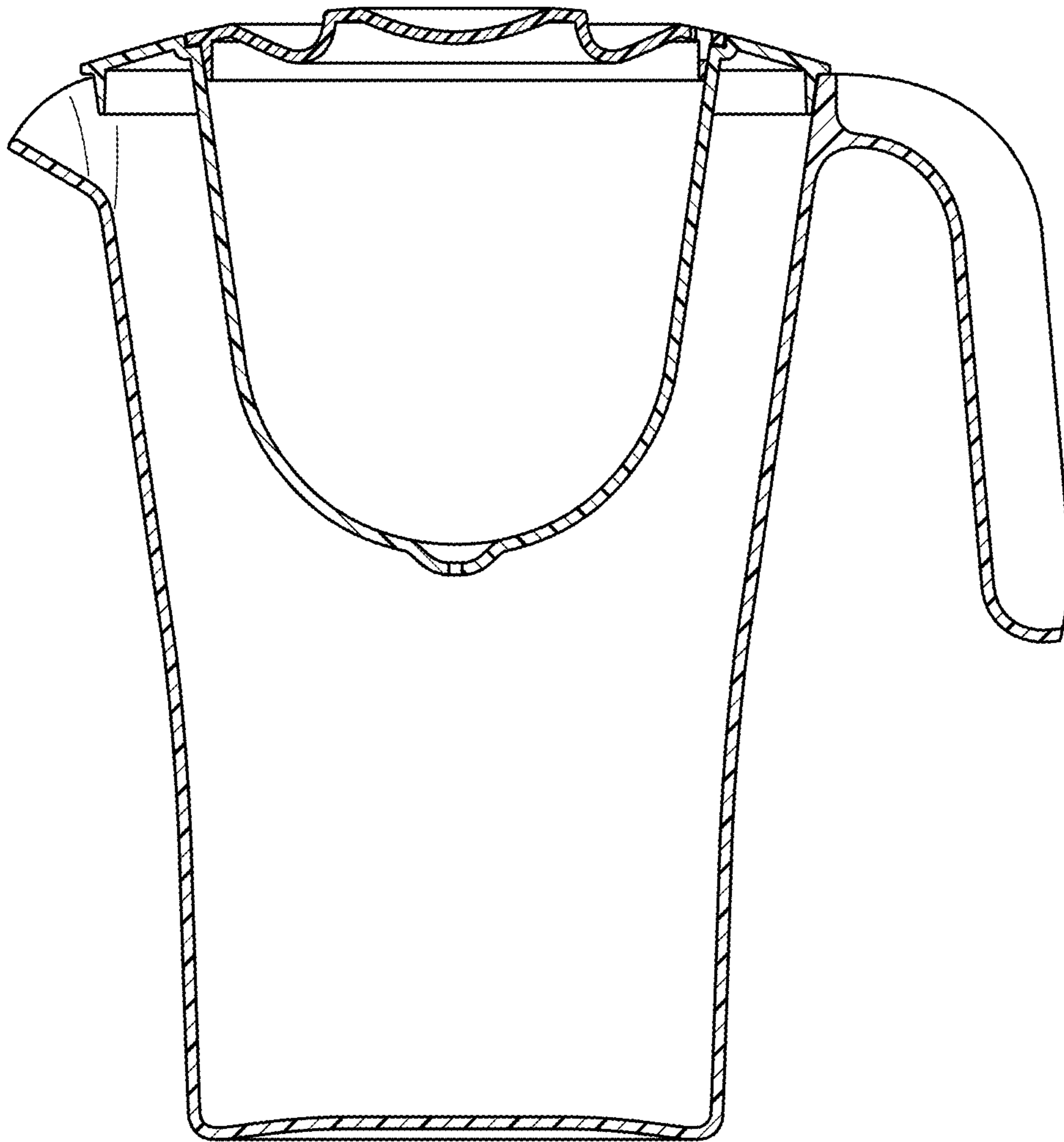


Fig. 7