



US00D814221S

(12) **United States Design Patent**
Yin

(10) **Patent No.:** **US D814,221 S**

(45) **Date of Patent:** **** Apr. 3, 2018**

(54) **RECLINER**

(71) Applicant: **Peter J. Yin**, Walnut, CA (US)

(72) Inventor: **Peter J. Yin**, Walnut, CA (US)

(**) Term: **15 Years**

(21) Appl. No.: **29/591,161**

(22) Filed: **Jan. 17, 2017**

(51) **LOC (11) Cl.** **06-01**

(52) **U.S. Cl.**
USPC **D6/717; D6/367; D6/379**

(58) **Field of Classification Search**
USPC D6/334-336, 367, 374, 376, 379, 380,
D6/716, 716.2, 716.3, 716.4, 717
CPC .. A47C 4/02; A47C 4/03; A47C 4/028; A47C
4/06; A47C 7/021; A47C 7/16; A47C
7/54

See application file for complete search history.

(56) **References Cited**

U.S. PATENT DOCUMENTS

D188,046 S *	5/1960	Galloway	D6/379
D277,346 S *	1/1985	Steinberger	D6/374
D289,709 S *	5/1987	Goldman	D6/367
D405,620 S *	2/1999	Koepke	D6/379
D409,408 S *	5/1999	James	D6/379
D477,721 S *	7/2003	Conner	D6/379

D495,156 S *	8/2004	Gower	D6/379
D516,832 S *	3/2006	Schweikarth	D6/374
D547,083 S *	7/2007	Wang	D6/379
D574,620 S *	8/2008	Lowsky	D6/379
D615,782 S *	5/2010	Beckley	D6/717
D647,335 S *	10/2011	Delmestri	D6/379
D651,017 S *	12/2011	Ciani	D6/379

* cited by examiner

Primary Examiner — Mimosa De

(74) *Attorney, Agent, or Firm* — Che-Yang Chen; Law
Offices of Scott Warmuth

(57) **CLAIM**

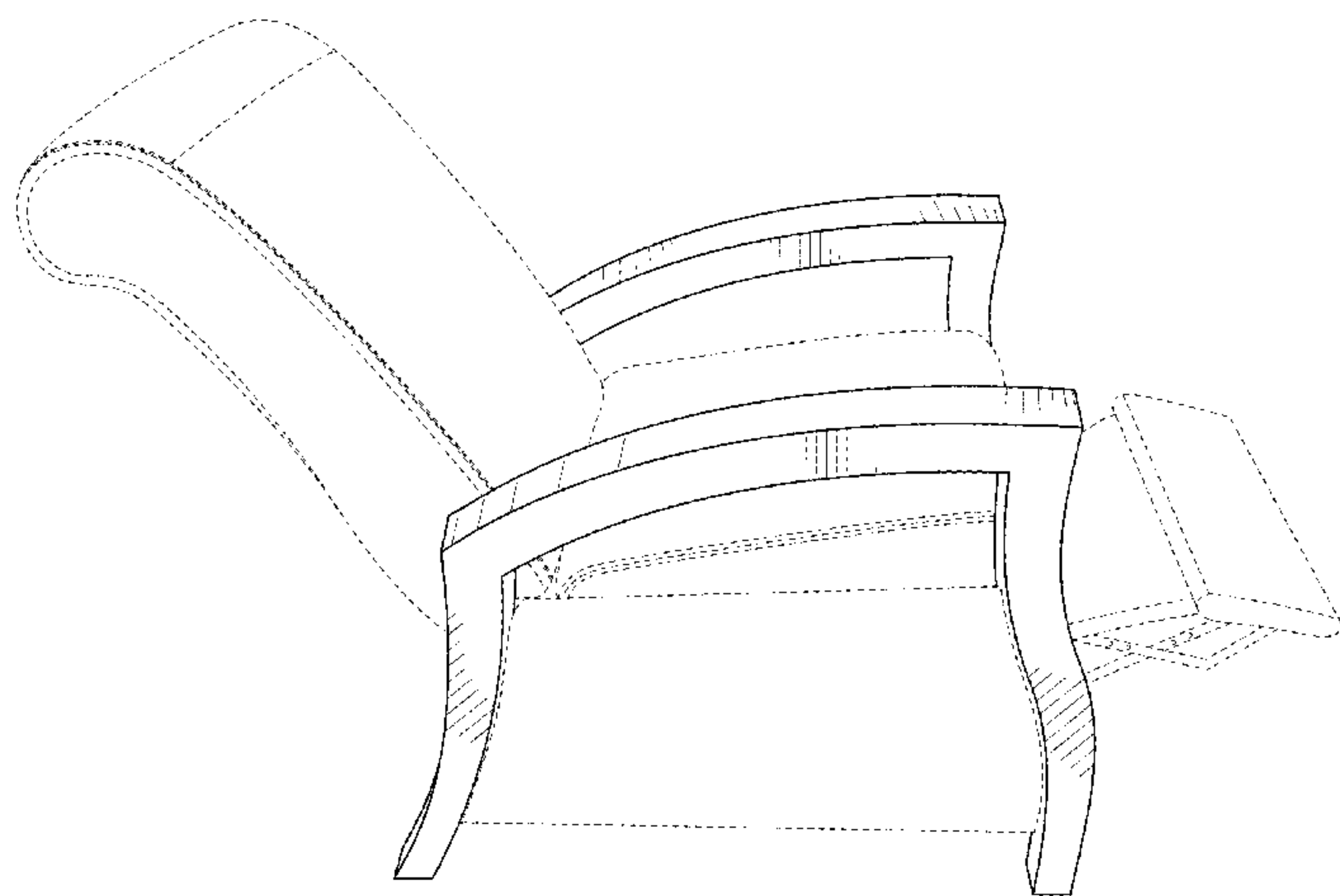
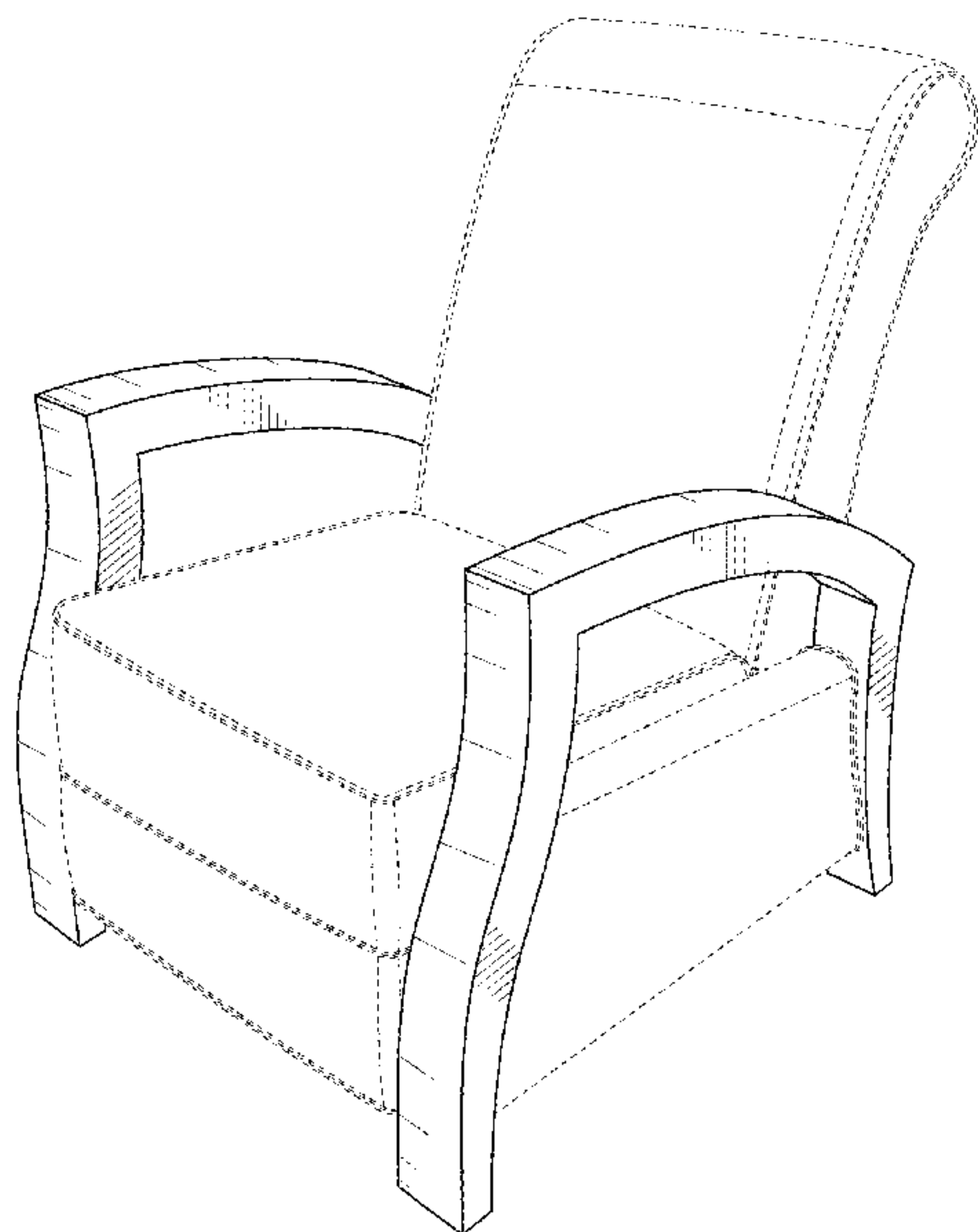
The ornamental design for a recliner, as shown and described.

DESCRIPTION

FIG. 1 is a perspective view of a recliner showing my new design;
FIG. 2 is a front elevational view thereof;
FIG. 3 is a rear elevational view thereof;
FIG. 4 is a left side elevational view thereof;
FIG. 5 is a right side elevational view thereof;
FIG. 6 is a top plan view thereof;
FIG. 7 is a bottom plan view thereof; and,
FIG. 8 is a perspective view of the recliner when it is extended.

The broken line portions of FIGS. 1-8 are included to show unclaimed subject matter only and form no part of the claimed design.

1 Claim, 8 Drawing Sheets



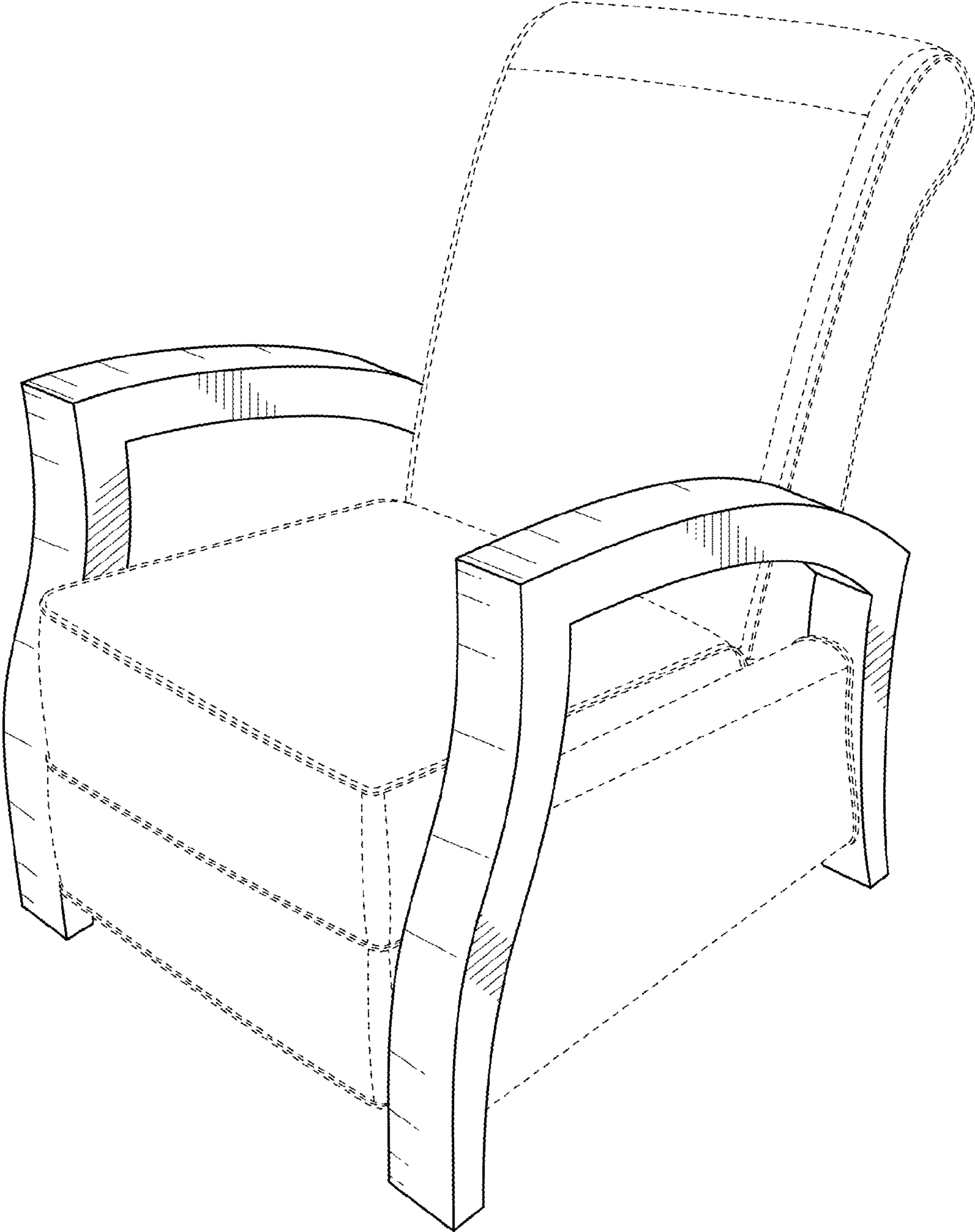


FIG. 1

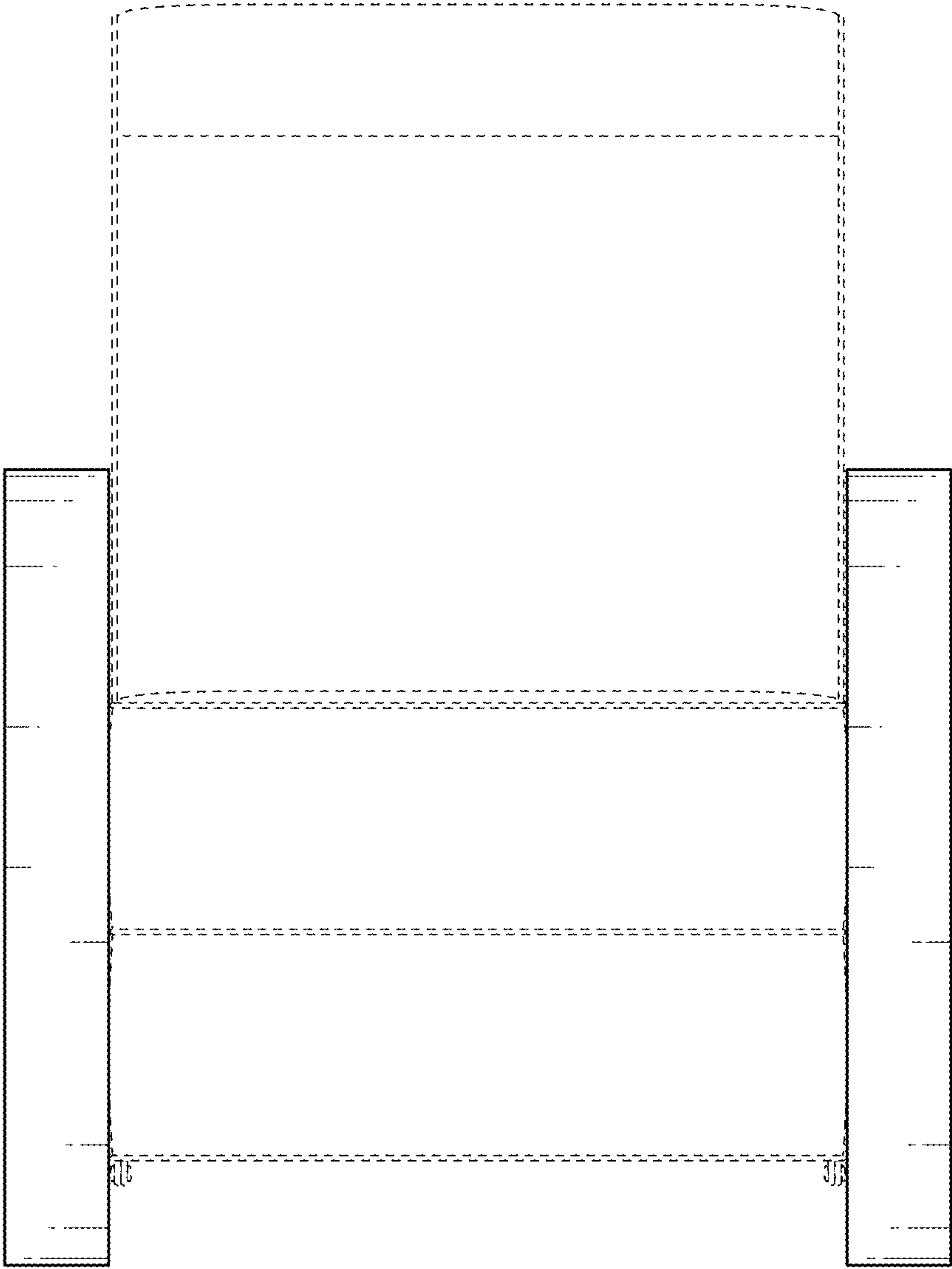


FIG. 2

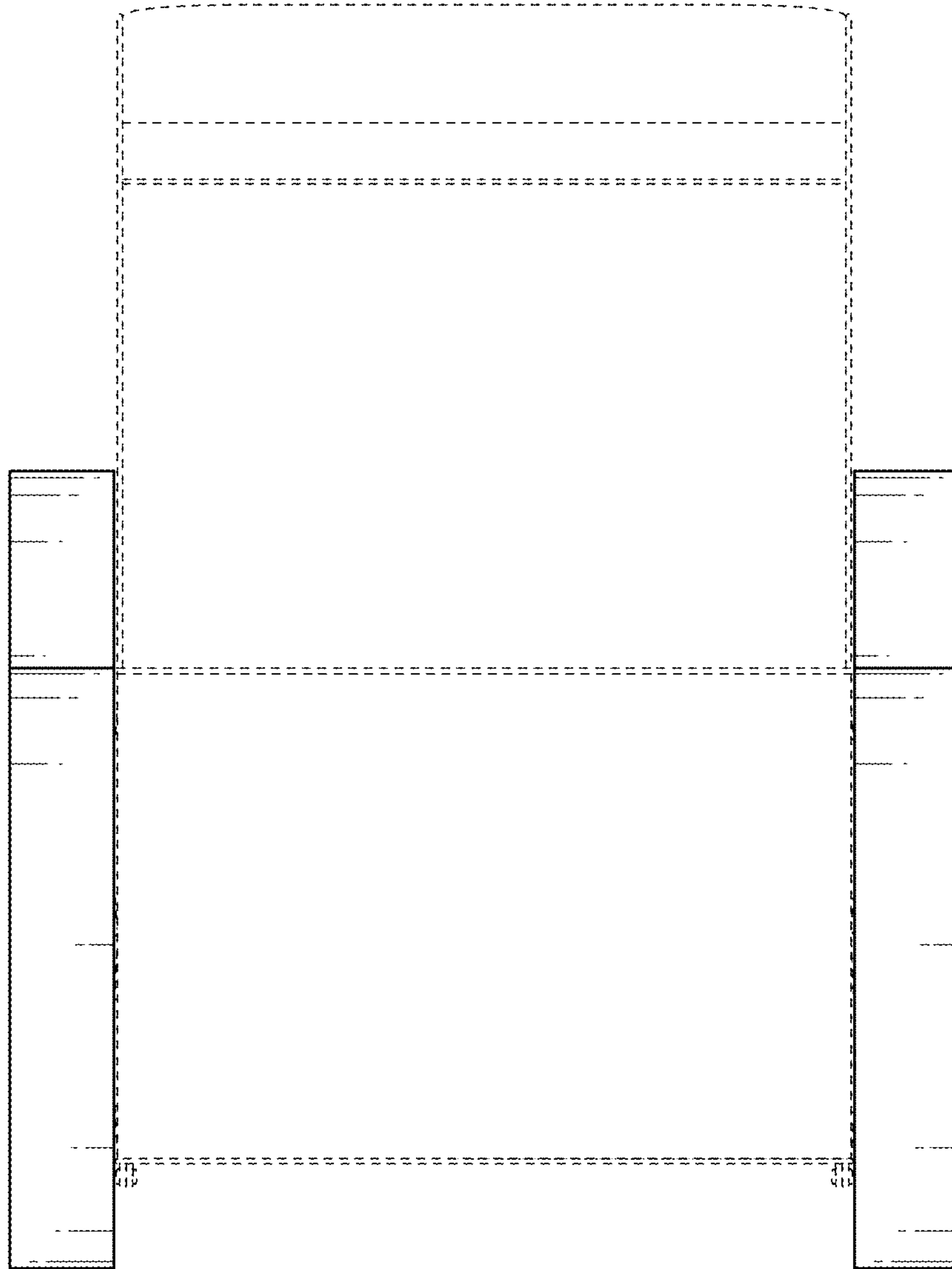


FIG. 3

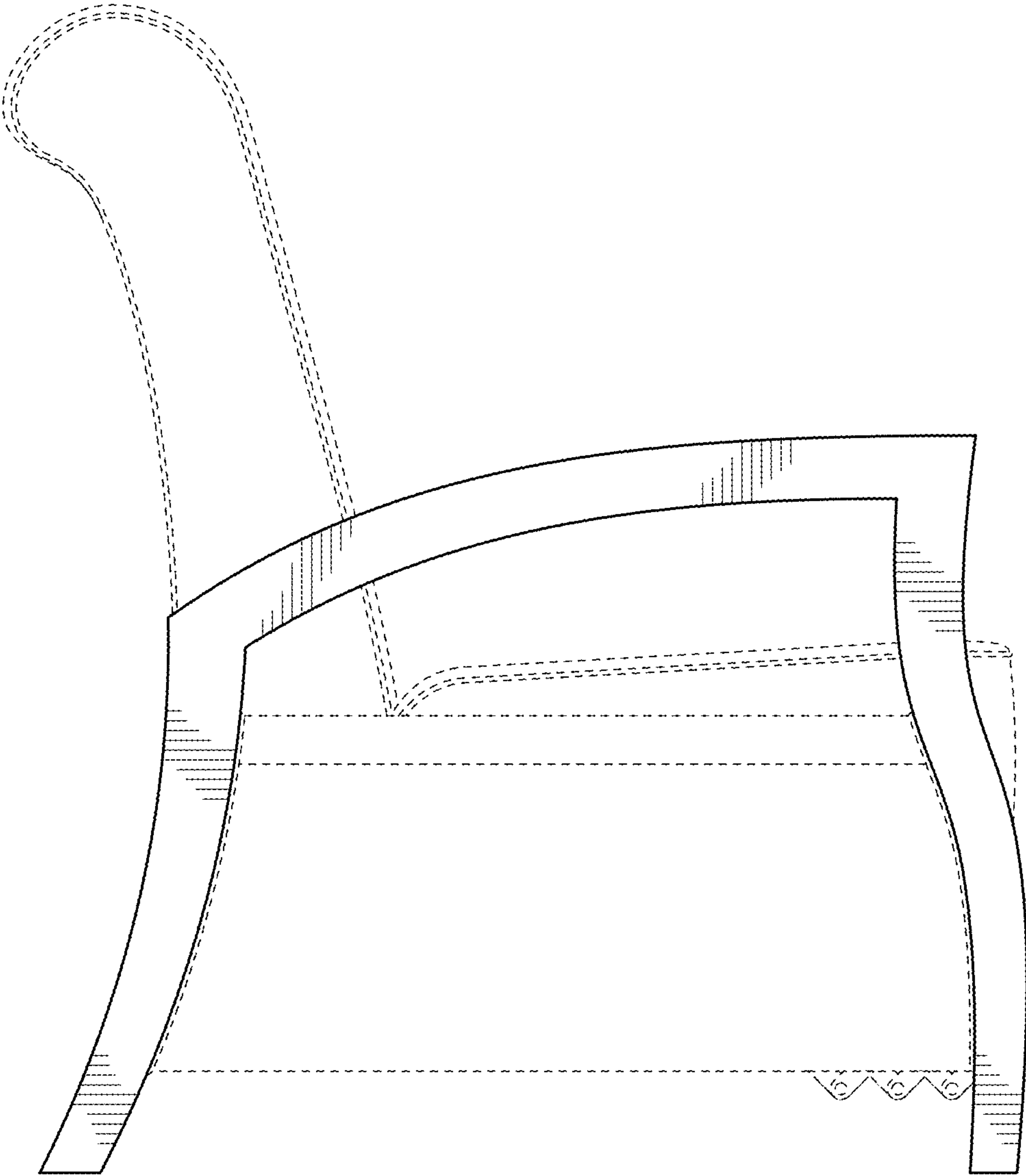


FIG. 4

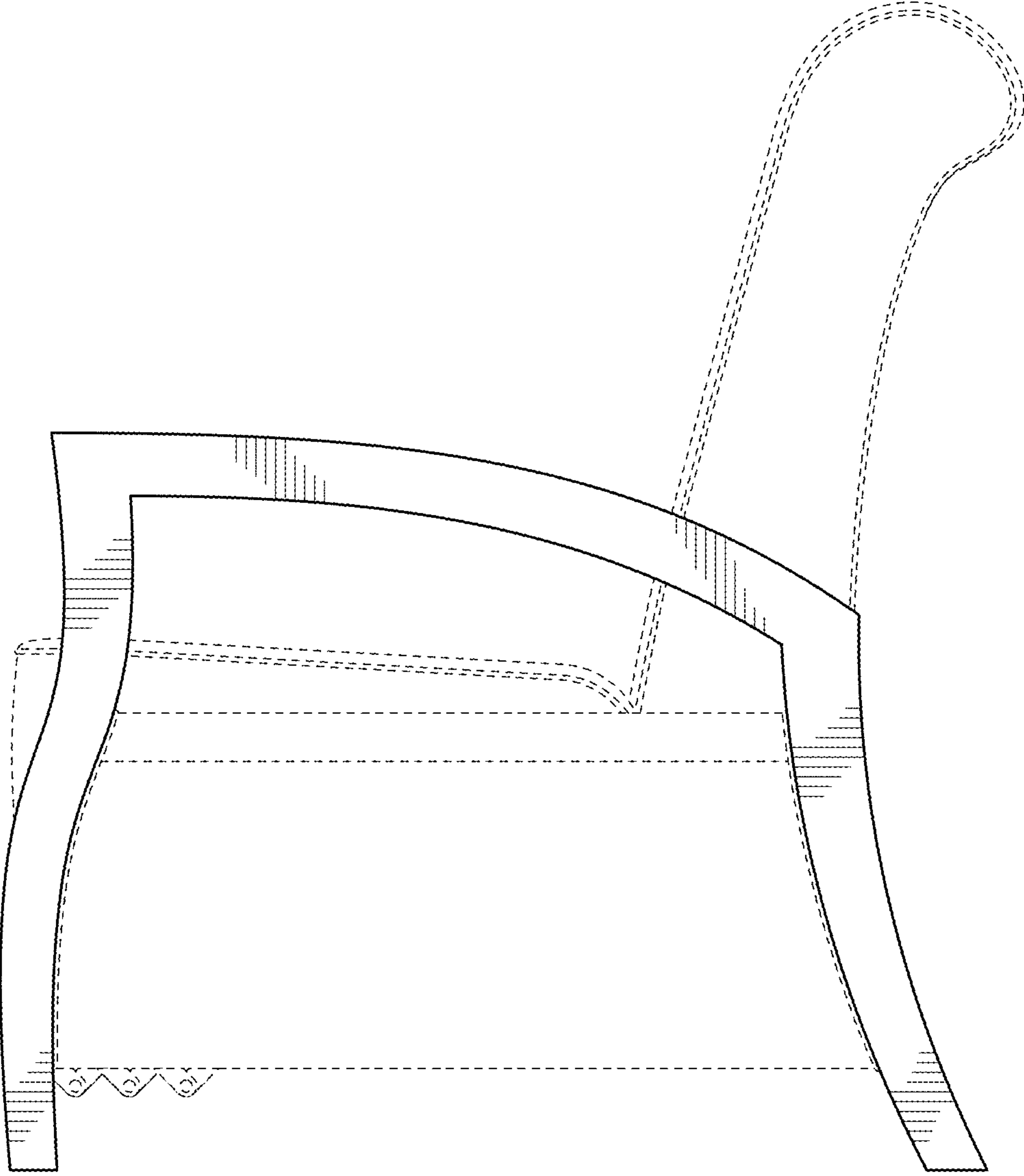


FIG. 5

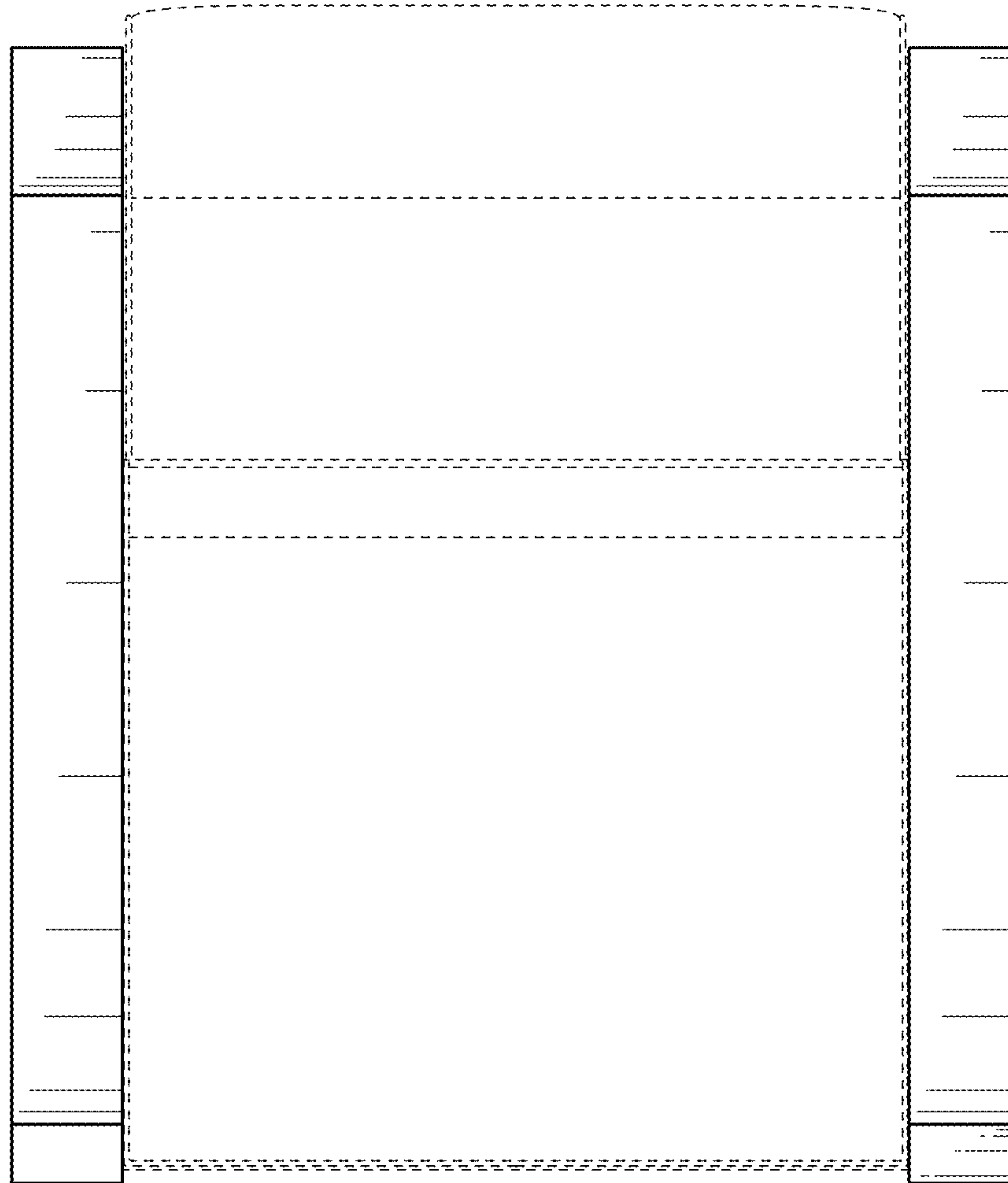


FIG. 6

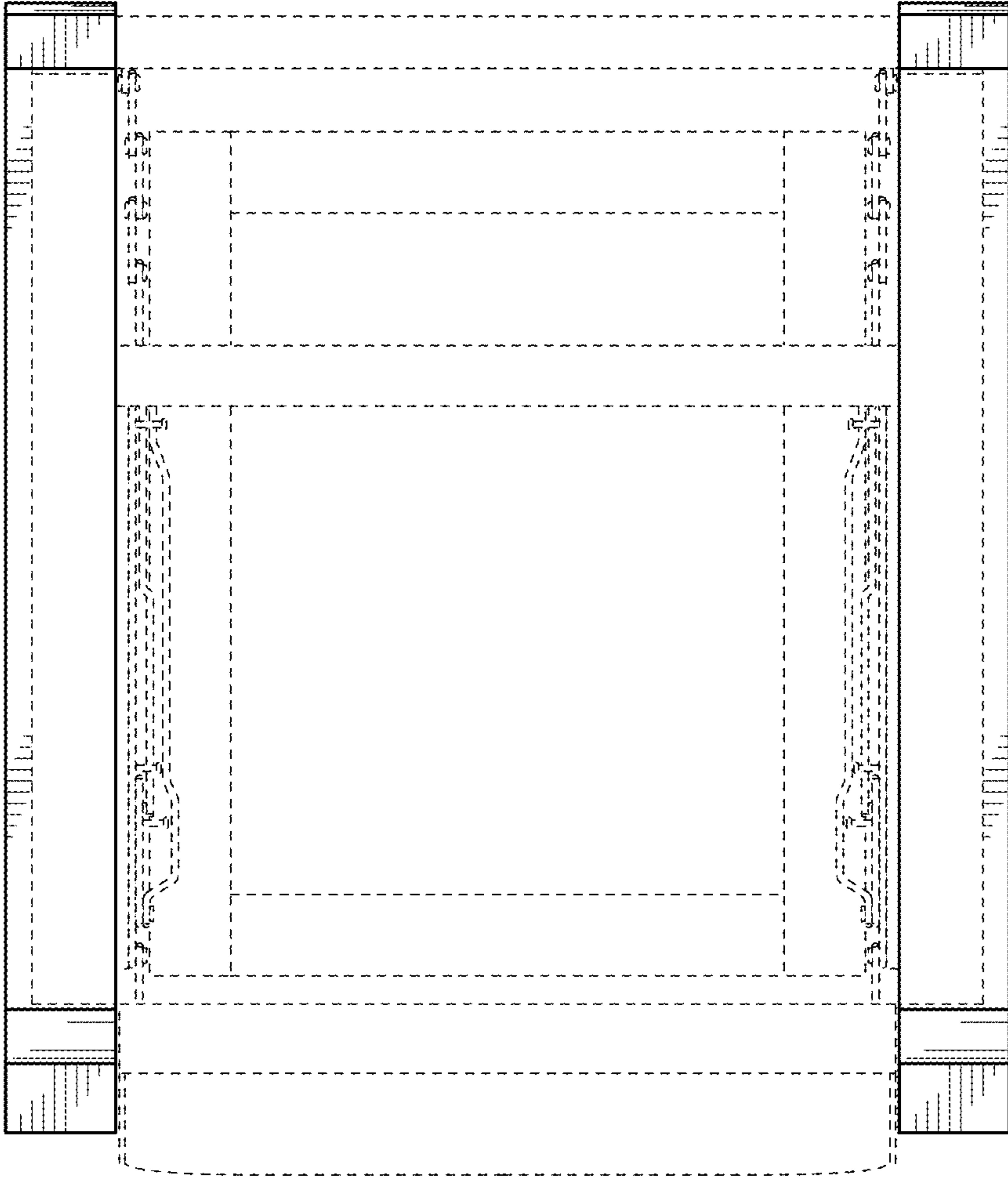


FIG. 7

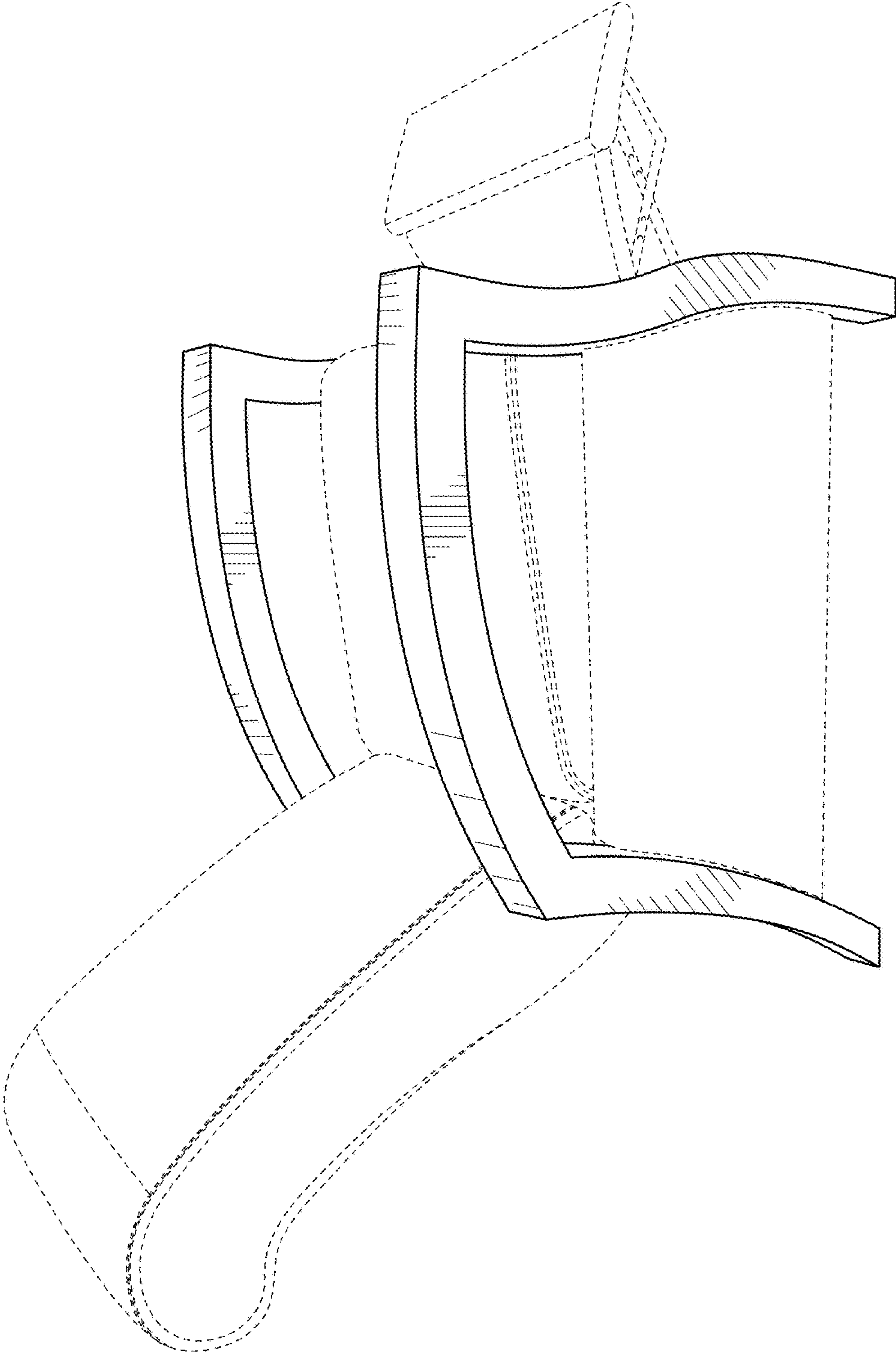


FIG. 8