



US00D814220S

(12) **United States Design Patent**  
**Clayton**

(10) **Patent No.:** **US D814,220 S**

(45) **Date of Patent:** **\*\* Apr. 3, 2018**

(54) **PIVOTABLE SHELF**

(71) Applicant: **Dennis Clayton**, Covington, GA (US)

(72) Inventor: **Dennis Clayton**, Covington, GA (US)

(\*\*) Term: **15 Years**

(21) Appl. No.: **29/563,600**

(22) Filed: **May 5, 2016**

D443,165 S *	6/2001	Petri .....	D6/574
7,093,726 B1 *	8/2006	Holztrager .....	A47F 5/0043
			211/153
D604,539 S *	11/2009	Kennedy .....	D6/574
D621,216 S *	8/2010	Bruno .....	D7/406
D661,577 S *	6/2012	Strilich .....	D9/424
D664,837 S *	8/2012	Harper .....	D8/349
D688,934 S *	9/2013	Blanthorne .....	D8/307
D708,511 S *	7/2014	Green .....	D9/416
D773,854 S *	12/2016	Preston .....	D6/562
2013/0228541 A1 *	9/2013	O'Hara .....	A47G 25/06
			211/134

\* cited by examiner

**Related U.S. Application Data**

(63) Continuation of application No. 14/985,328, filed on Dec. 30, 2015, now abandoned.

(51) **LOC (11) Cl.** ..... **06-06**

(52) **U.S. Cl.**  
USPC ..... **D6/705.1**

(58) **Field of Classification Search**  
USPC ..... D6/312, 672, 678, 678.1, 679, 704, 705,  
D6/705.1, 707; D7/500, 501  
CPC ..... A47B 46/00; A47B 46/005; A47B 49/00;  
A47B 96/02; A47F 5/025; A47F 5/0043  
See application file for complete search history.

(56) **References Cited**

**U.S. PATENT DOCUMENTS**

D253,748 S *	12/1979	Kovacs .....	D6/574
D325,838 S *	5/1992	Lamprey .....	D6/574
D352,198 S *	11/1994	Wright .....	D6/574
D370,148 S *	5/1996	Maharg .....	D6/574
D403,546 S *	1/1999	Moon .....	D6/574
D428,291 S *	7/2000	Koncar .....	D6/574
D436,269 S *	1/2001	Kane .....	D6/341

*Primary Examiner* — Kelley Donnelly

(74) *Attorney, Agent, or Firm* — Michael J. Bootcheck, LLC; Michael Jonathan Bootcheck

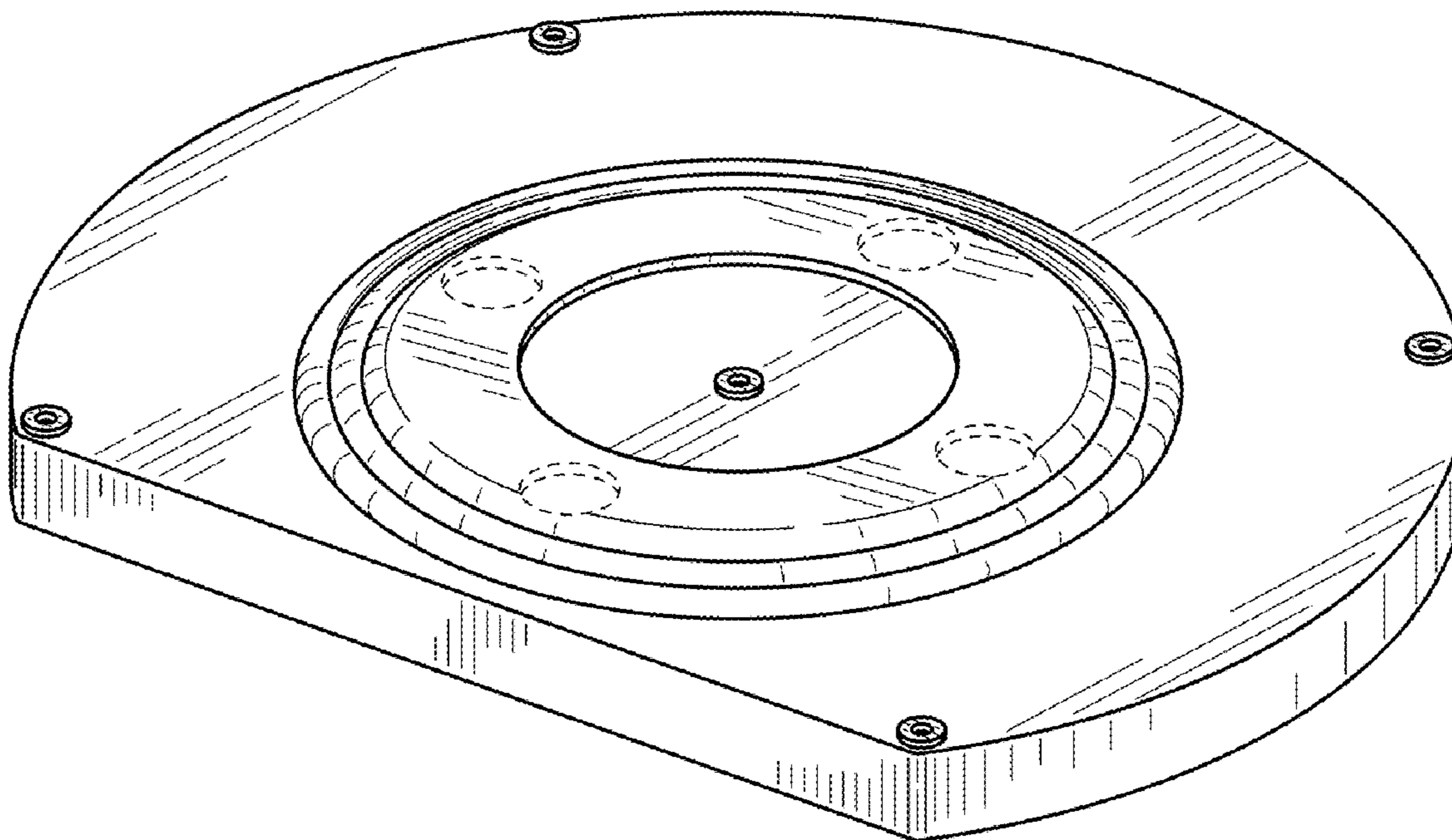
(57) **CLAIM**

The ornamental design for a pivotable shelf, as shown and described.

**DESCRIPTION**

FIG. 1 is a bottom perspective view of the pivotable shelf; FIG. 2 is a front view thereof; FIG. 3 is a rear view thereof; FIG. 4 is a side view thereof; FIG. 5 is an opposite side view thereof; FIG. 6 is a top view thereof; and, FIG. 7 is a bottom view thereof. The broken lines shown in FIGS. 1 and 7 are for the purposes of illustrating the environment of the article only and form no part of the claimed design.

**1 Claim, 3 Drawing Sheets**



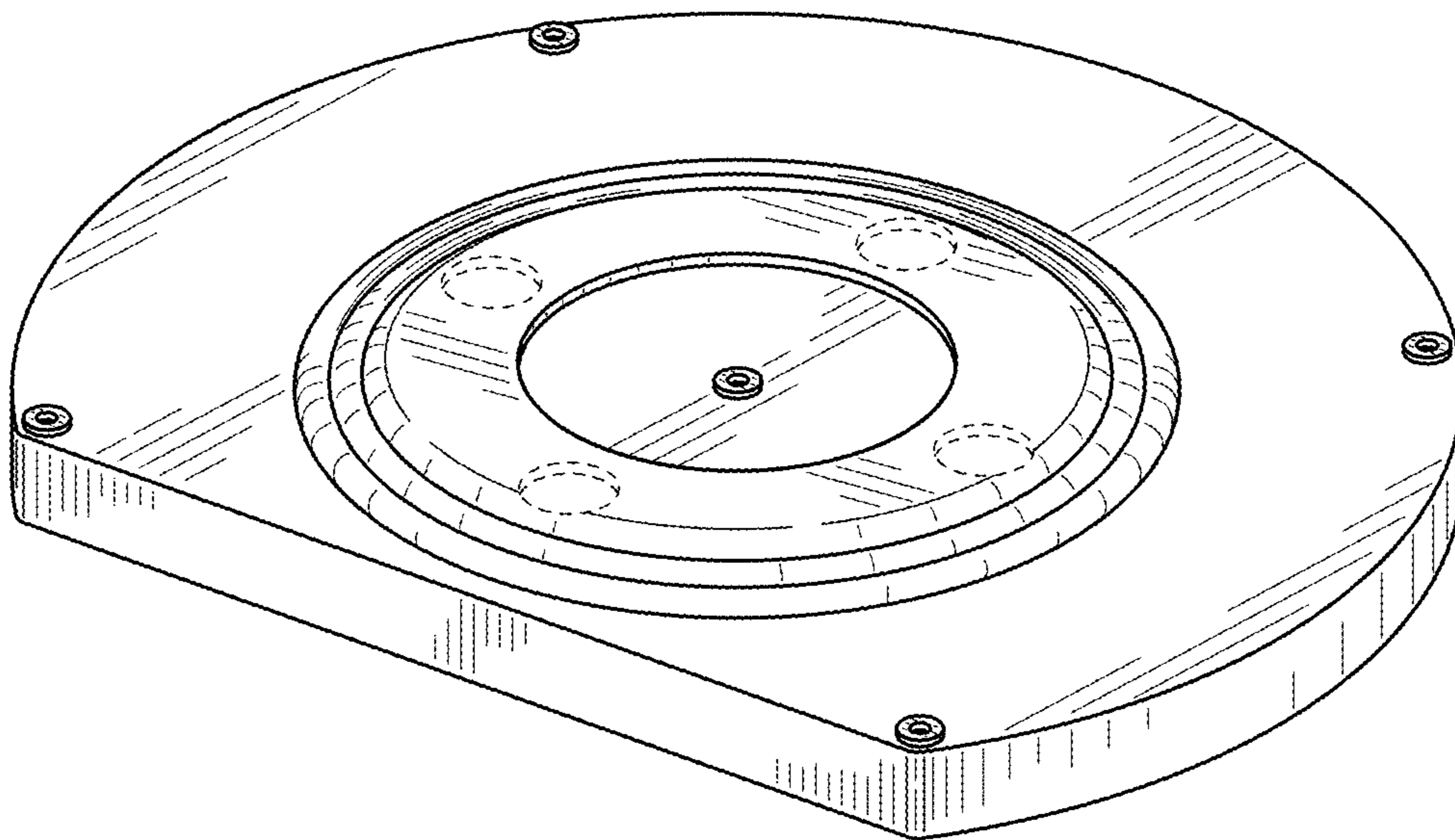


FIG. 1

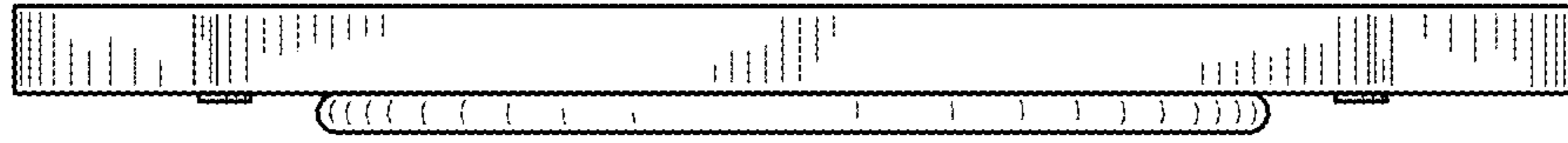


FIG. 2

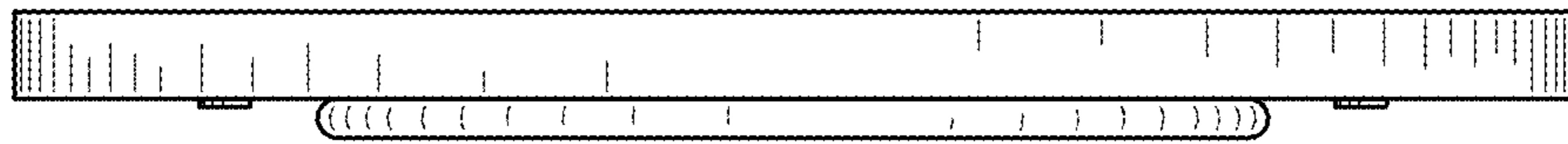


FIG. 3

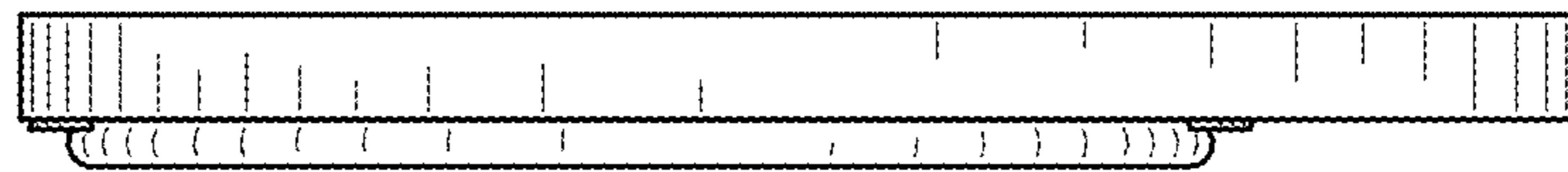


FIG. 4



FIG. 5

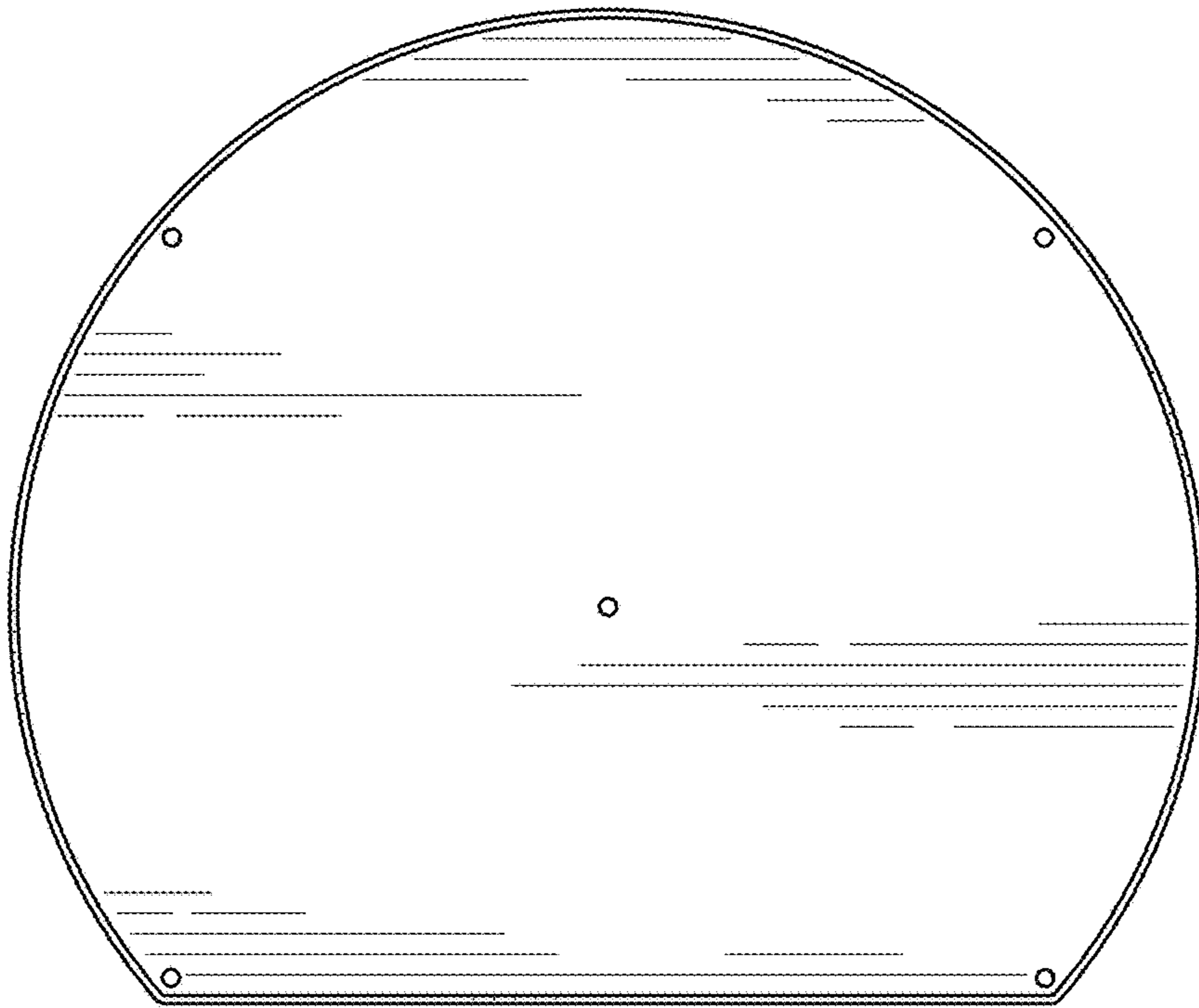


FIG. 6

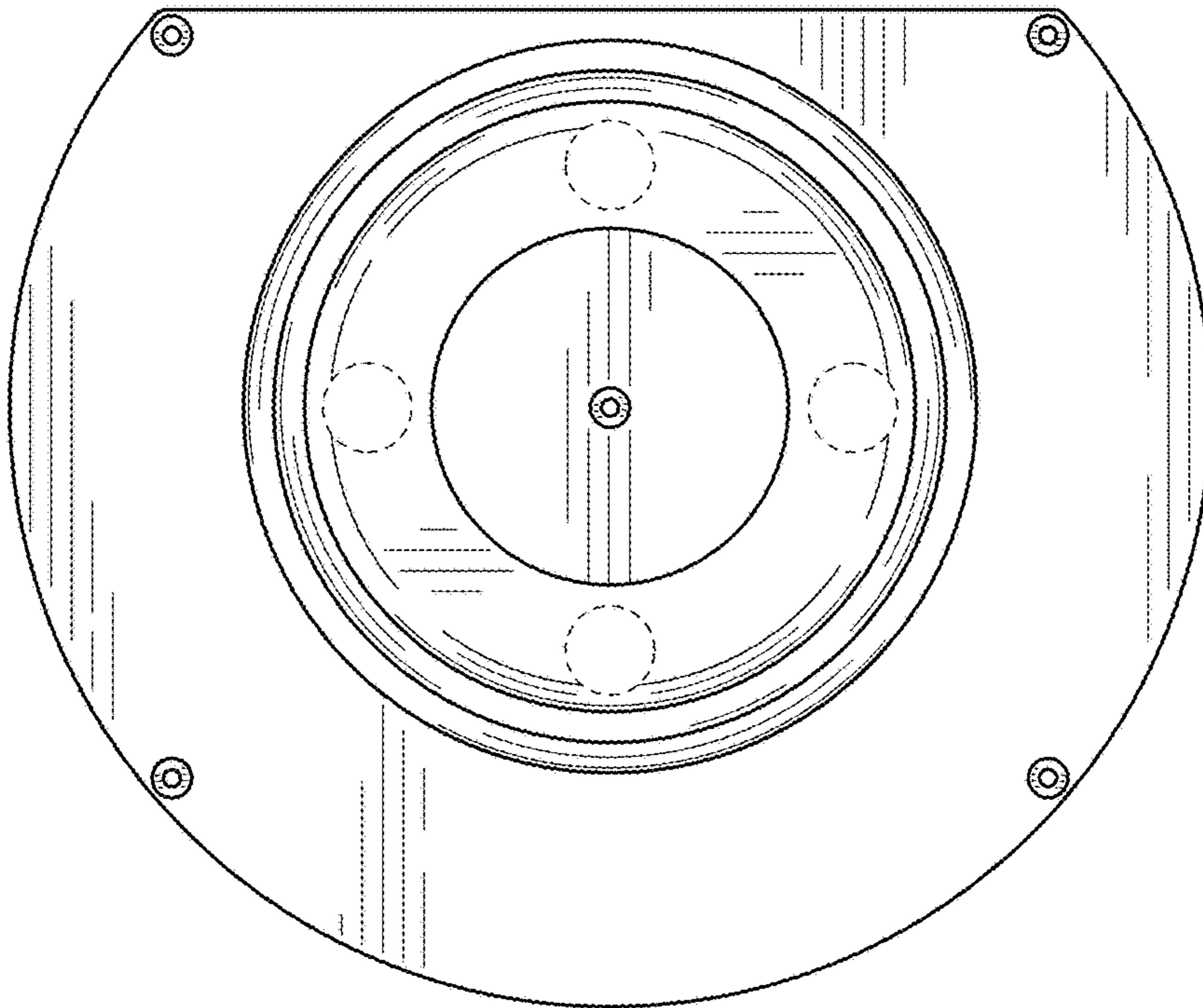


FIG. 7