



US00D814218S

(12) **United States Design Patent**
Mchatet

(10) **Patent No.:** **US D814,218 S**

(45) **Date of Patent:** **** Apr. 3, 2018**

(54) **MERCHANDISING DISPLAY STAND**

(71) Applicant: **Hamid Mchatet**, Miami, FL (US)

(72) Inventor: **Hamid Mchatet**, Miami, FL (US)

(**) Term: **15 Years**

(21) Appl. No.: **29/602,461**

(22) Filed: **May 1, 2017**

(51) **LOC (11) Cl.** **06-06**

(52) **U.S. Cl.**
USPC **D6/680.2**

(58) **Field of Classification Search**
USPC D6/657, 672, 673, 675-675.1, 675.3,
D6/675.4, 677, 677.1, 680, 680.1, 680.2,
D6/692
CPC A47B 43/00; A47B 49/00; A47B 81/00;
A47F 1/00
See application file for complete search history.

(56) **References Cited**

U.S. PATENT DOCUMENTS

D261,711 S	*	11/1981	Mulvihill	D6/680.2
D262,754 S	*	1/1982	Merl	D6/680.2
D369,038 S	*	4/1996	Lechleiter	D6/680.2
D385,130 S	*	10/1997	Woodward	D6/680.2
D435,182 S	*	12/2000	Mason	D6/680.2

D445,273 S	*	7/2001	Brown	D6/712
6,443,317 B1	*	9/2002	Brozak, Jr.	A47F 7/021 211/85.1
D500,417 S	*	1/2005	Levin	D6/680.2
D500,418 S	*	1/2005	Levin	D6/680.2
D564,793 S	*	3/2008	Shea	D6/677
D582,175 S	*	12/2008	Levy	D6/680.2
D639,580 S	*	6/2011	Clemence	D6/674
D654,727 S	*	2/2012	Shea	D6/682.2
D682,582 S	*	5/2013	Levy	D6/680.2
D689,715 S	*	9/2013	Wong	D6/675.1
D752,370 S	*	3/2016	Mchatet	D6/675
D783,321 S	*	4/2017	Levy	D6/680.2

* cited by examiner

Primary Examiner — Kelley Donnelly
(74) *Attorney, Agent, or Firm* — Albert Bordas, P.A.

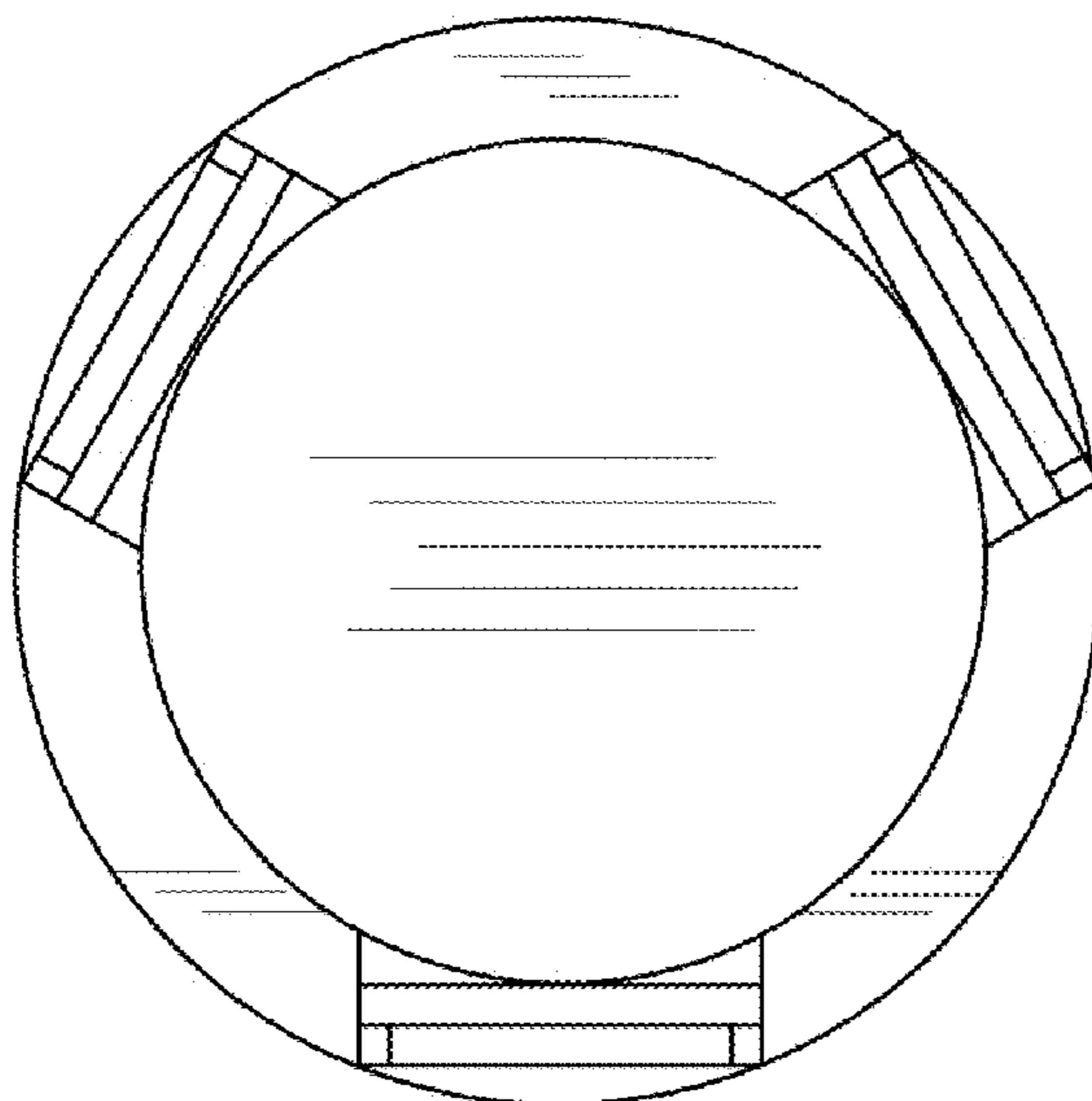
(57) **CLAIM**

The ornamental design for a merchandising display stand, as shown and described.

DESCRIPTION

FIG. 1 is a top plan view of a merchandising display stand; FIG. 2 is a front elevational view thereof; FIG. 3 is a bottom view thereof; FIG. 4 is a right-side elevational view thereof, the left-side elevational view being a mirror image thereof; and, FIG. 5 is an isometric view thereof.

1 Claim, 5 Drawing Sheets



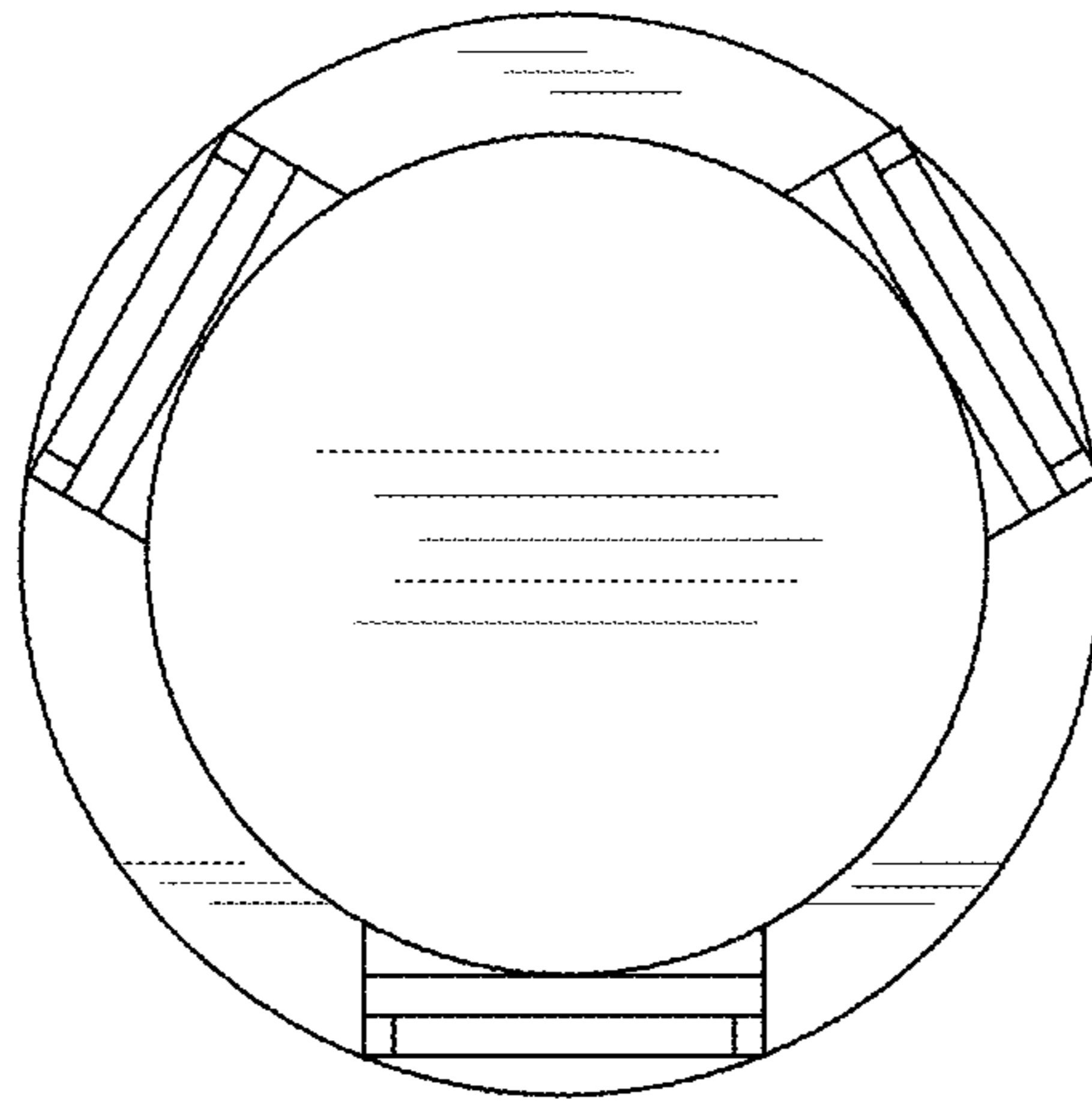


Fig. 1

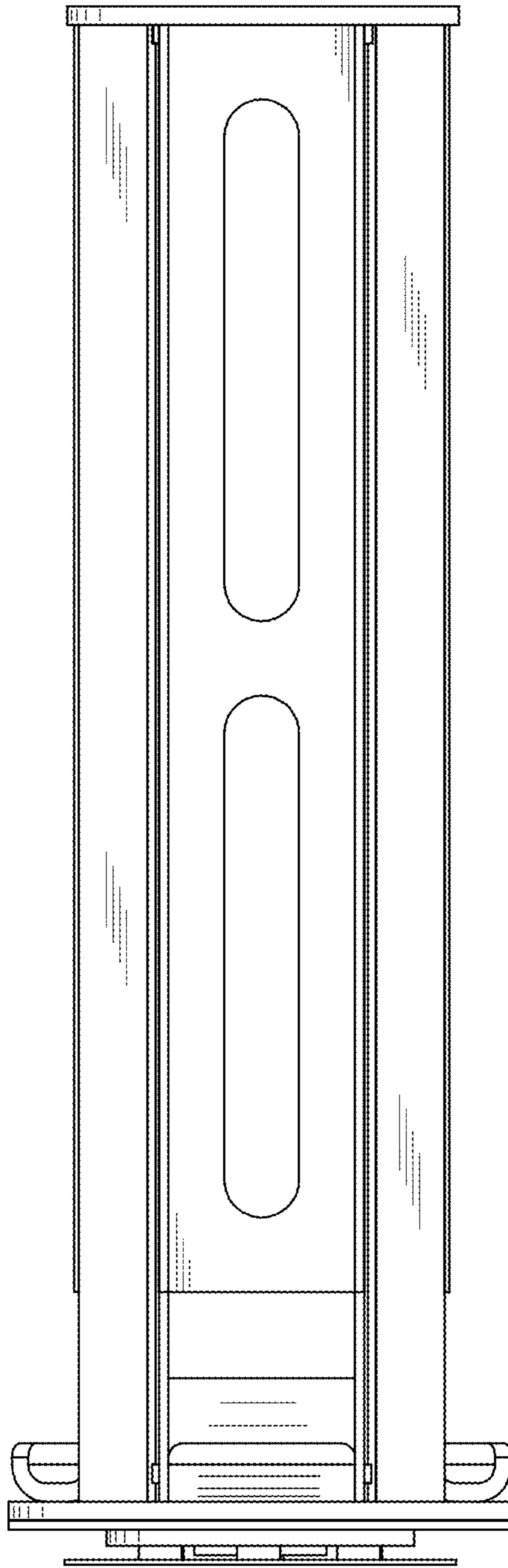


Fig. 2

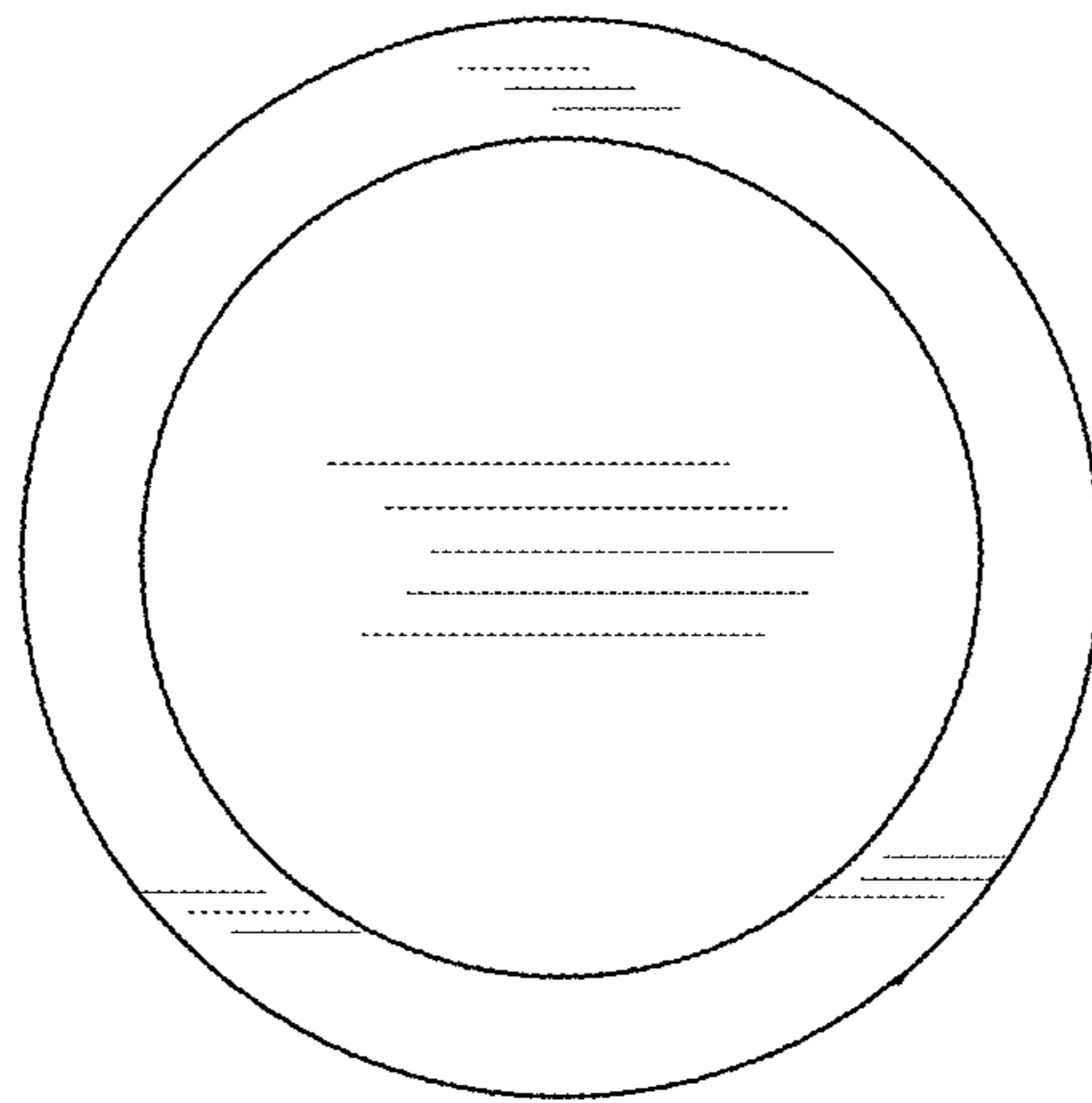


Fig. 3

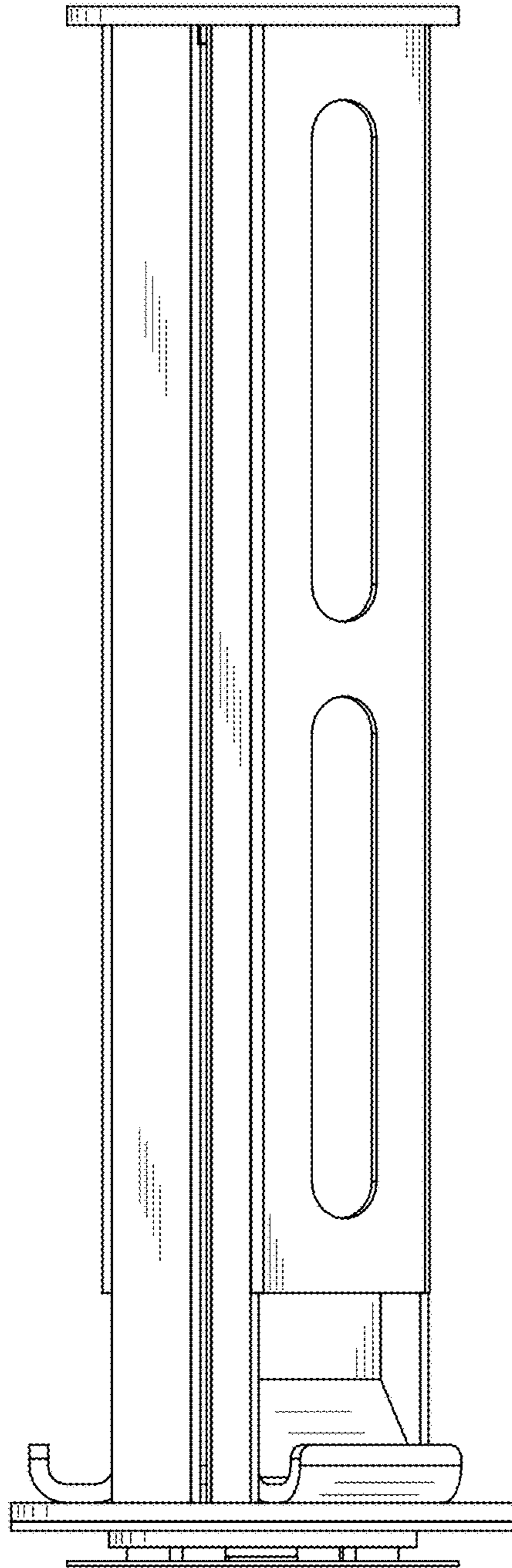


Fig. 4

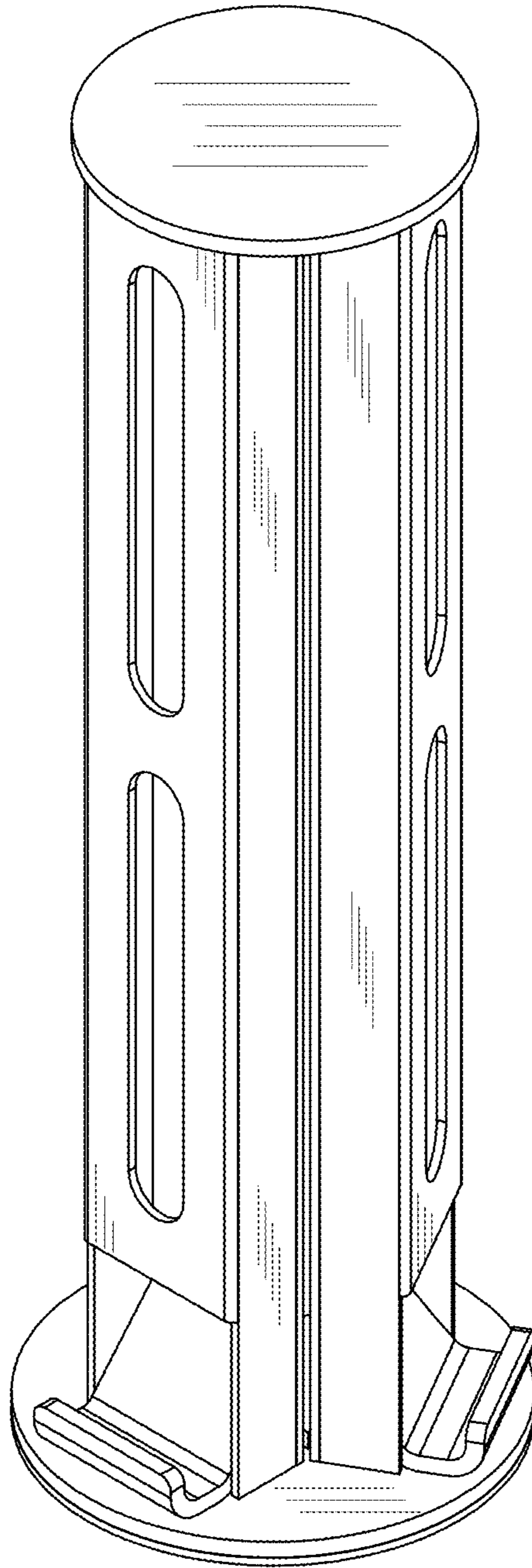


Fig. 5