



US00D814217S

(12) **United States Design Patent**
Clayton

(10) **Patent No.:** **US D814,217 S**

(45) **Date of Patent:** **** Apr. 3, 2018**

(54) **PIVOTABLE SHELF**

(71) Applicant: **Dennis Clayton**, Covington, GA (US)

(72) Inventor: **Dennis Clayton**, Covington, GA (US)

(**) Term: **15 Years**

(21) Appl. No.: **29/563,601**

(22) Filed: **May 5, 2016**

7,093,726 B1 *	8/2006	Holztrager	A47F 5/0043
				211/153
D604,539 S *	11/2009	Kennedy	D6/574
D621,216 S *	8/2010	Bruno	D7/406
D661,577 S *	6/2012	Strilich	D9/424
D664,837 S *	8/2012	Harper	D8/349
D688,934 S *	9/2013	Blanthorne	D8/307
D708,511 S *	7/2014	Green	D9/416
D709,717 S *	7/2014	Hsu	D6/678.1
D761,600 S *	7/2016	Hsu	D6/678.1
D773,854 S *	12/2016	Preston	D6/562
2013/0228541 A1 *	9/2013	O'Hara	A47G 25/06
				211/134

Related U.S. Application Data

(63) Continuation of application No. 14/985,328, filed on Dec. 30, 2015.

(51) **LOC (11) Cl.** **06-06**

(52) **U.S. Cl.**
USPC **D6/678.1**

(58) **Field of Classification Search**
USPC D6/312, 672, 678, 678.1, 679, 704, 705,
D6/705.1, 707; D7/500, 501
CPC A47B 46/00; A47B 46/005; A47B 49/00;
A47B 96/02; A47F 5/025; A47F 5/0043
See application file for complete search history.

(56) **References Cited**

U.S. PATENT DOCUMENTS

D253,748 S *	12/1979	Kovacs	D6/574
D325,838 S *	5/1992	Lamprey	D6/574
D352,198 S *	11/1994	Wright	D6/574
D370,148 S *	5/1996	Maharg	D6/574
D403,546 S *	1/1999	Moon	D6/574
D428,291 S *	7/2000	Koncar	D6/574
D436,269 S *	1/2001	Kane	D6/341
D443,165 S *	6/2001	Petri	D6/574

* cited by examiner

Primary Examiner — Kelley Donnelly

(74) *Attorney, Agent, or Firm* — Michael J. Bootcheck, LLC; Michael Jonathan Bootcheck

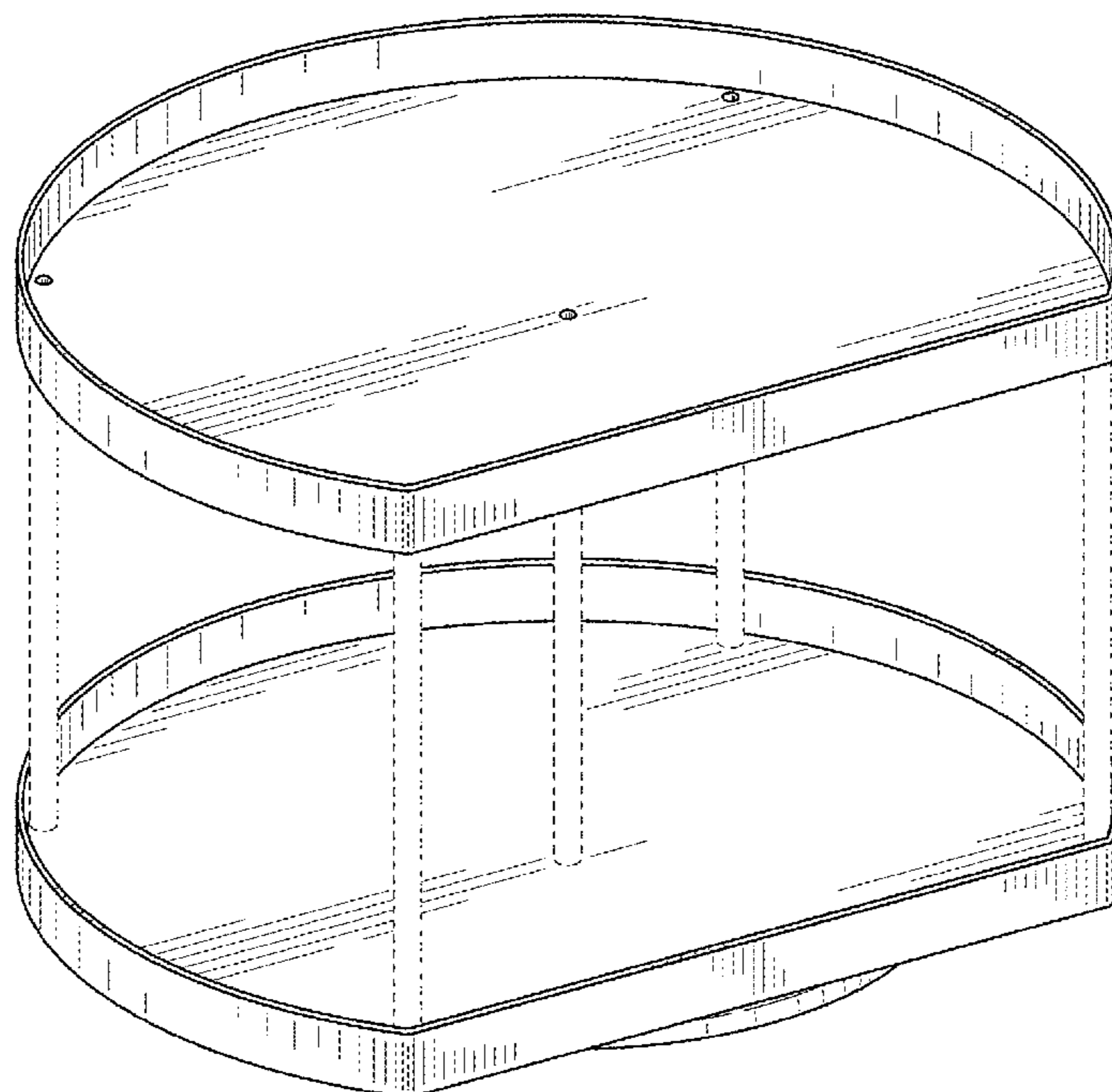
(57) **CLAIM**

The ornamental design for a pivotable shelf, as shown and described.

DESCRIPTION

FIG. 1 is a perspective view of the pivotable shelf;
FIG. 2 is a front view thereof;
FIG. 3 is a rear view thereof;
FIG. 4 is a side view thereof;
FIG. 5 is an opposite side view thereof;
FIG. 6 is a top view thereof; and,
FIG. 7 is a bottom view thereof.
The broken lines shown in FIGS. 1 and 7 are for the purposes of illustrating the environment of the article only and form no part of the claimed design.

1 Claim, 4 Drawing Sheets



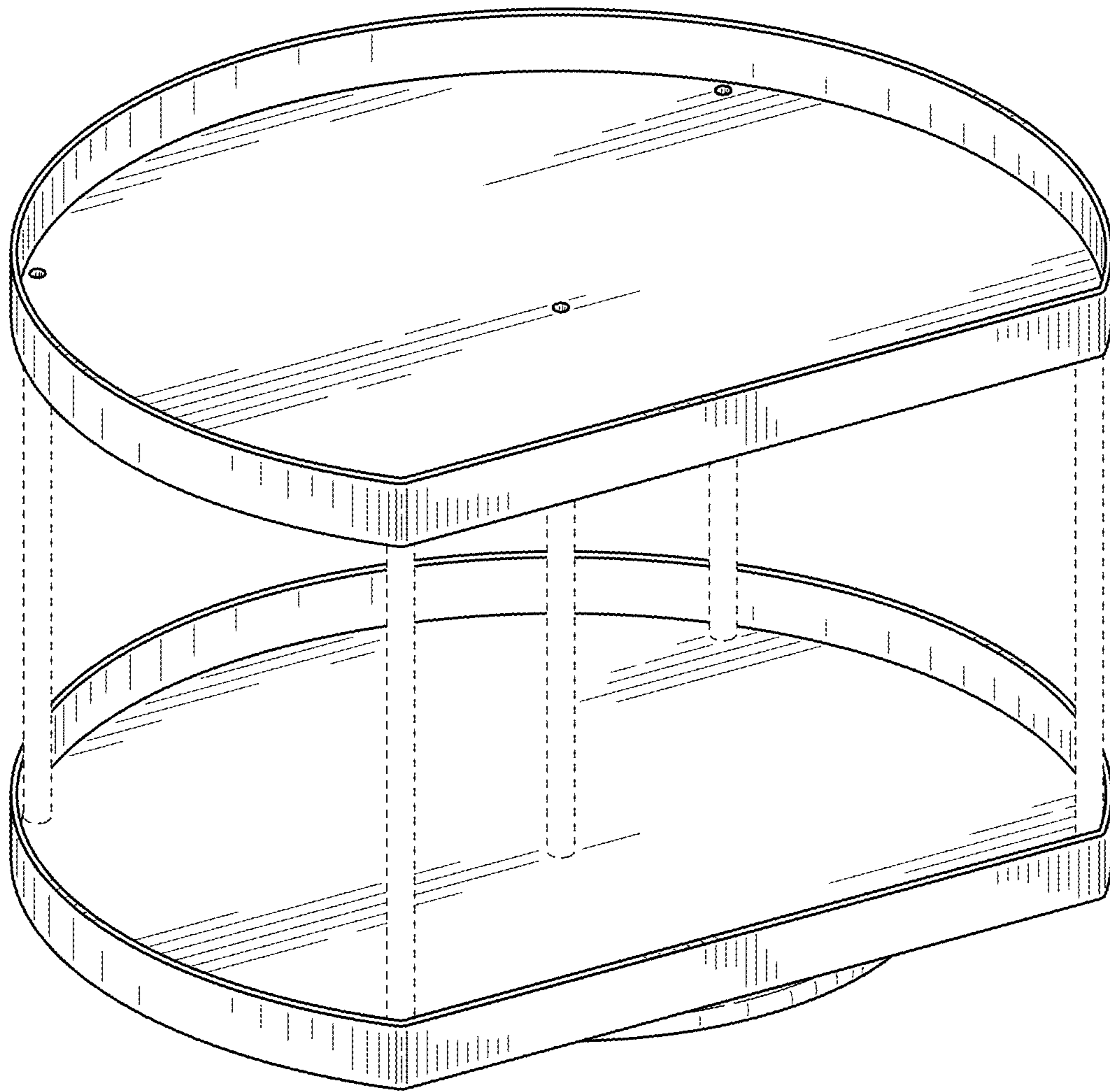


FIG. 1

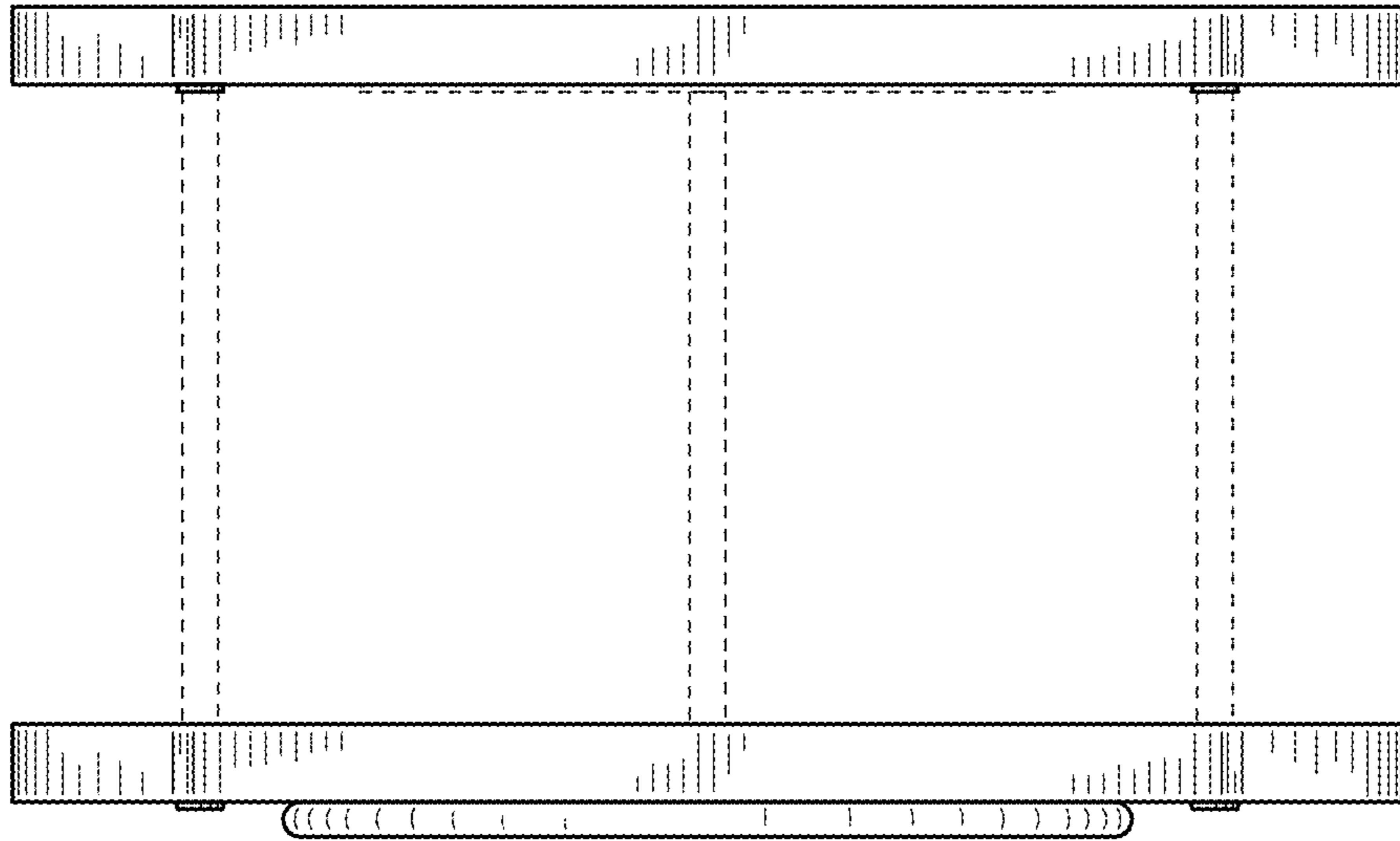


FIG. 2

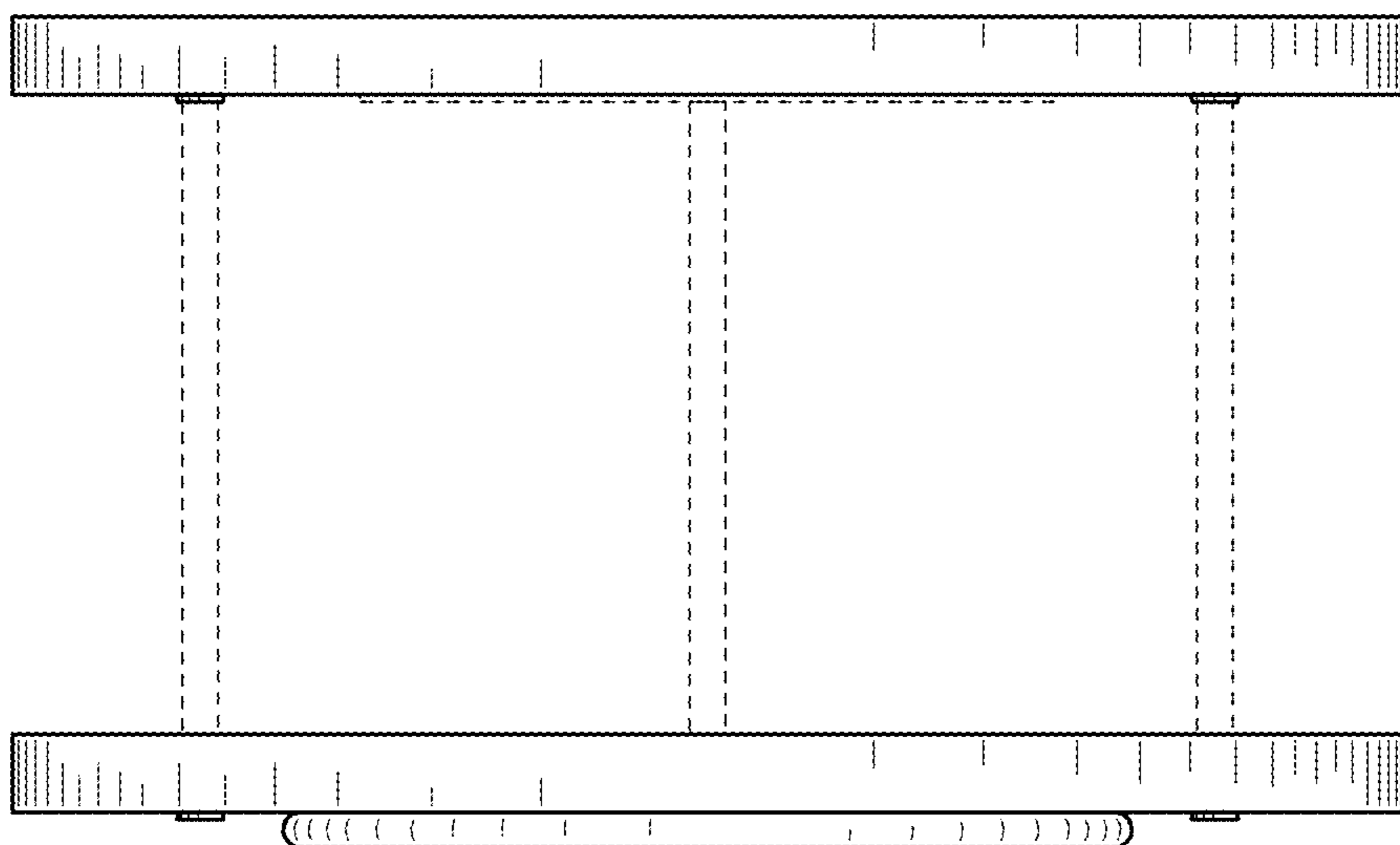


FIG. 3

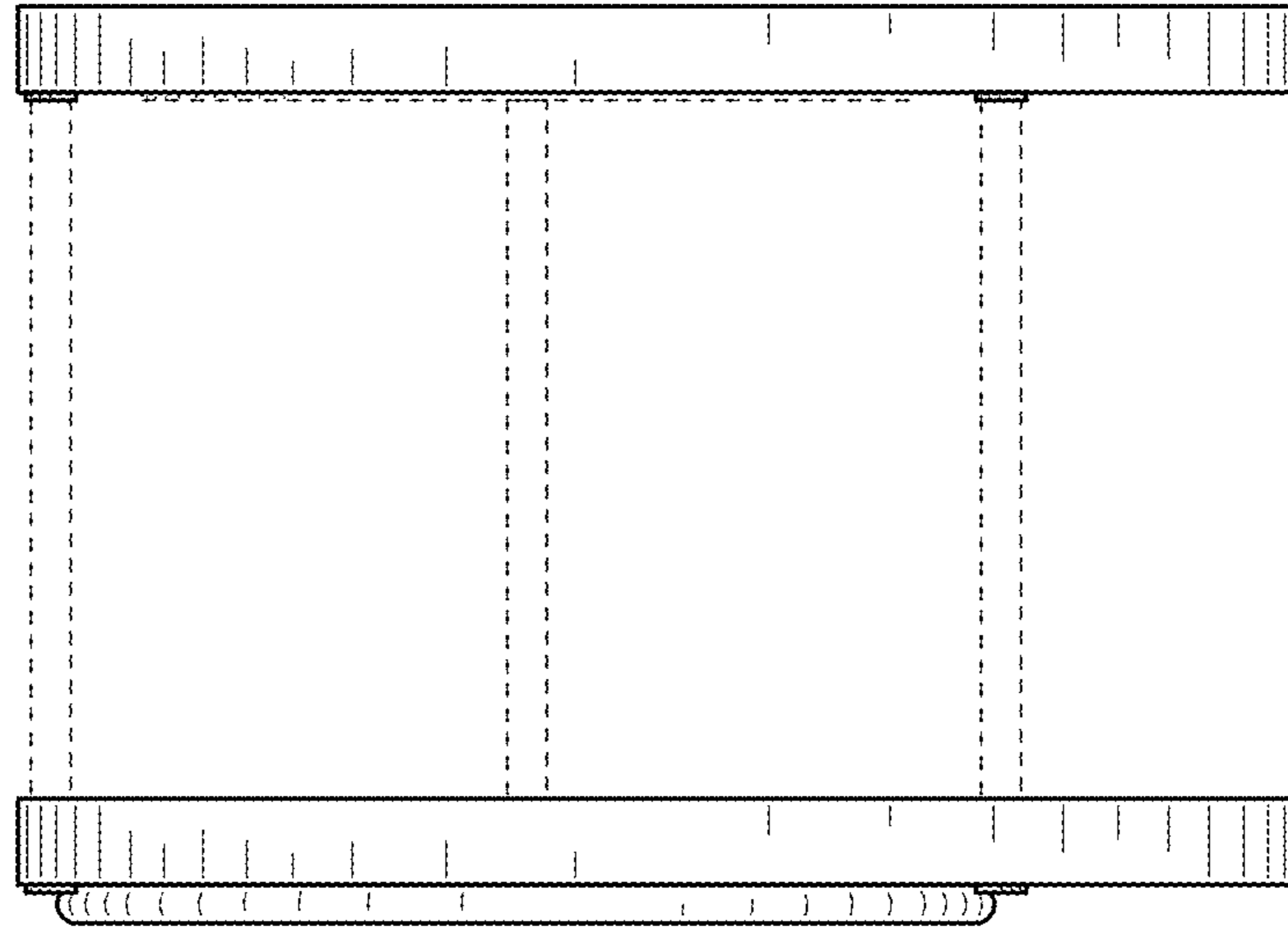


FIG. 4

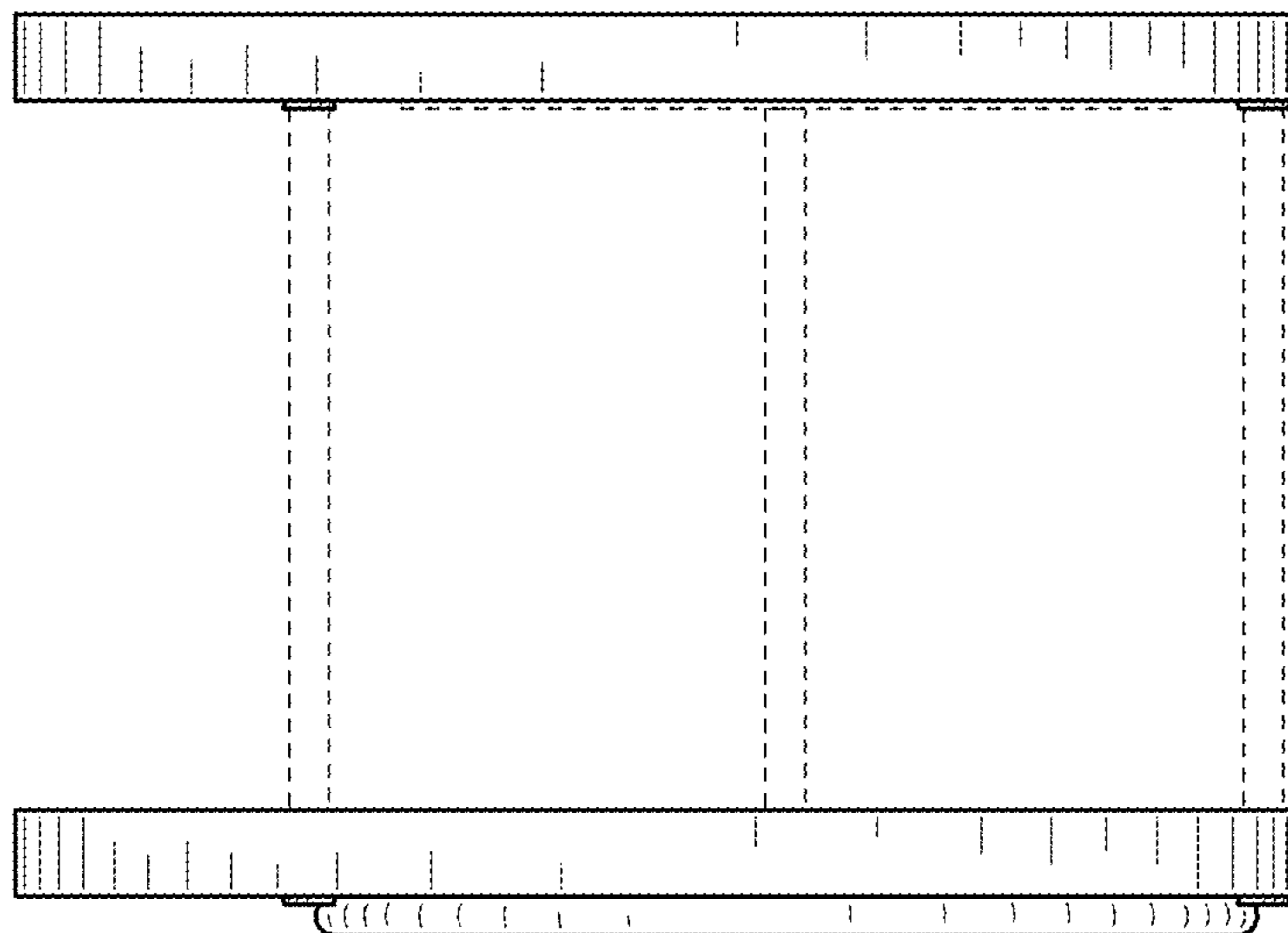


FIG. 5

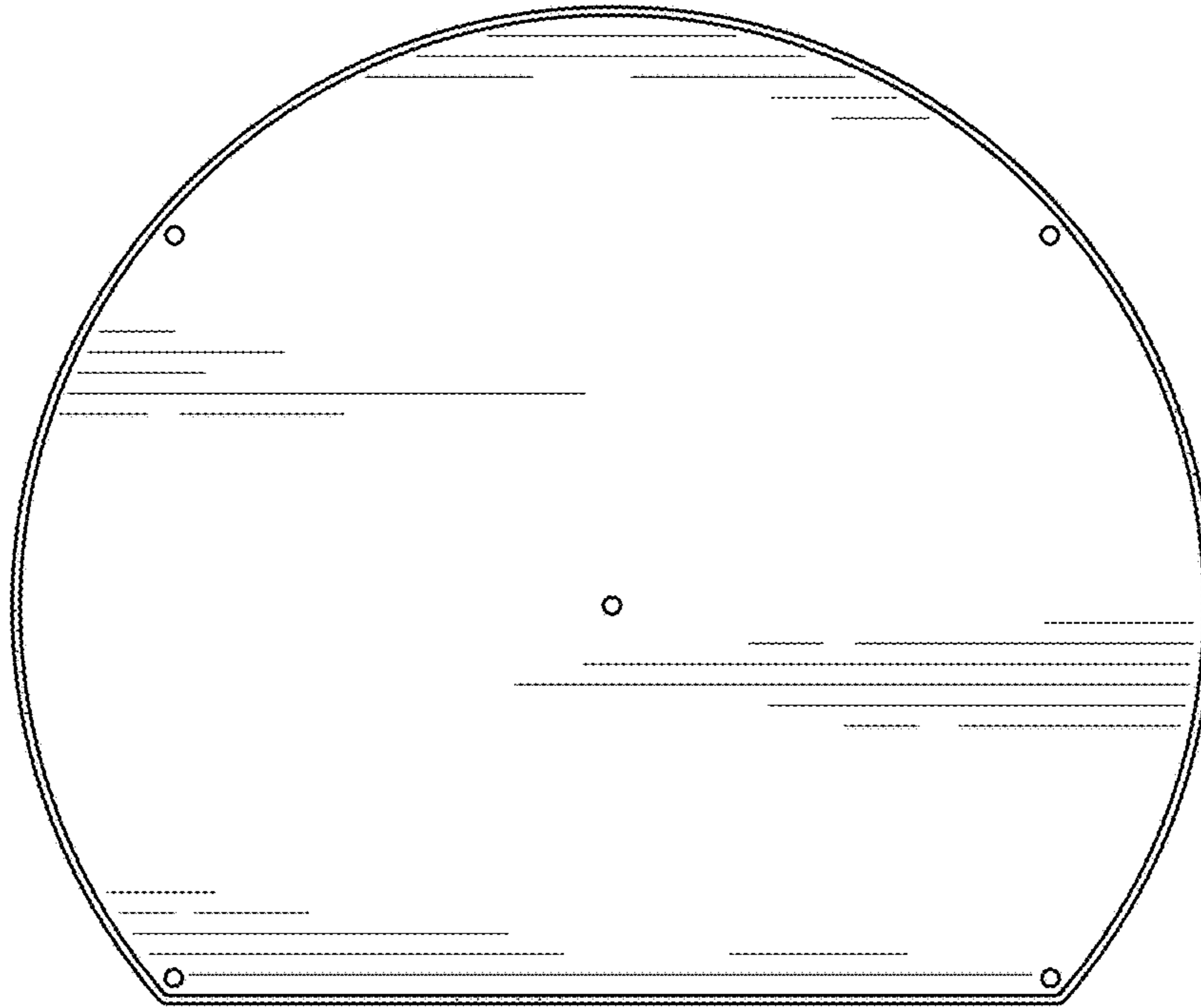


FIG. 6

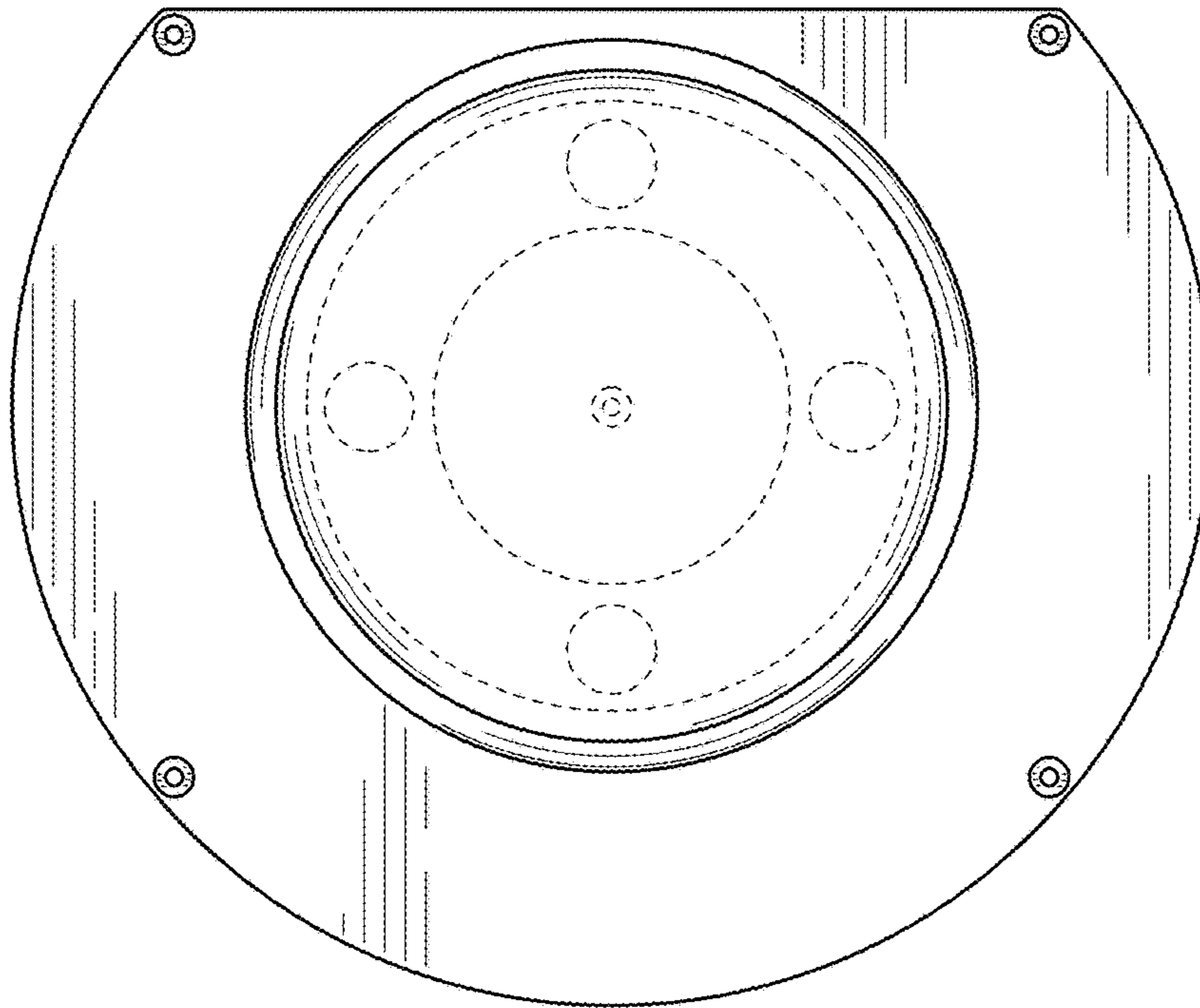


FIG. 7