



US00D814216S

(12) **United States Design Patent** (10) **Patent No.:** **US D814,216 S**
French et al. (45) **Date of Patent:** **** Apr. 3, 2018**

(54) **DISPLAY CASE**
(71) Applicant: **PPG Architectural Finishes, Inc.**,
Pittsburgh, PA (US)
(72) Inventors: **Maria French**, Canfield, OH (US);
Glen J. Kaszubski, Copley, OH (US);
Vanessa Manz, Cranberry Township,
PA (US); **Charles A. Banachoski**,
Cranberry Township, PA (US); **Nikki
Johnson**, Cranberry Township, PA
(US); **Michael McCuskey**, Cincinnati,
OH (US); **Marc Fuhrman**, Chicago, IL
(US); **Don Childs**, Chicago, IL (US);
Mary Beth Black, Maple Hts., OH
(US); **Danielle L. Nowicki**, Seven
Fields, PA (US)

D180,863 S * 8/1957 Collins D19/90
3,592,344 A * 7/1971 Schade A47B 65/00
206/557
D299,361 S * 1/1989 Lothe D19/75
D304,462 S * 11/1989 Evans D19/75
D307,159 S * 4/1990 Foran D19/75
D339,825 S * 9/1993 Hwang D19/75
D341,376 S * 11/1993 Feer D19/75
D358,602 S * 5/1995 Bilson D18/48
D687,893 S * 8/2013 Chuang D19/90
D720,166 S * 12/2014 Trindall D6/683.1
D747,768 S * 1/2016 Yoshikawa D19/90
D780,265 S * 2/2017 Greenspon D19/90
D780,847 S * 3/2017 Greenspon D19/90
D780,848 S * 3/2017 Greenspon D19/92
D791,871 S * 7/2017 Okawa D19/90
D793,774 S * 8/2017 Kelly D6/675

* cited by examiner

(73) Assignee: **PPG Industries Ohio, Inc.**, Cleveland,
OH (US)

Primary Examiner — Kelley Donnelly
(74) *Attorney, Agent, or Firm* — Alan G. Towner

(**) Term: **15 Years**

(57) **CLAIM**

(21) Appl. No.: **29/599,181**

The ornamental design for a display case, as shown and described.

(22) Filed: **Mar. 31, 2017**

DESCRIPTION

(51) **LOC (11) Cl.** **06-06**

(52) **U.S. Cl.**
USPC **D6/675**

(58) **Field of Classification Search**
USPC D6/672, 673, 675, 682, 682.1, 683;
D3/304, 314–315, 328; D19/86, 90, 91
CPC A47B 65/00; A47B 65/10; A47B 65/15;
A47F 3/004; A47F 3/14; B65D 3/24
See application file for complete search history.

FIG. 1 is an isometric view of a display case showing our new design;
FIG. 2 is a front view thereof;
FIG. 3 is a back view thereof;
FIG. 4 is a right side view thereof;
FIG. 5 is a left view thereof;
FIG. 6 is a top view thereof;
FIG. 7 is a bottom view thereof; and,
FIG. 8 is an isometric view thereof including pouches placed in the display case.

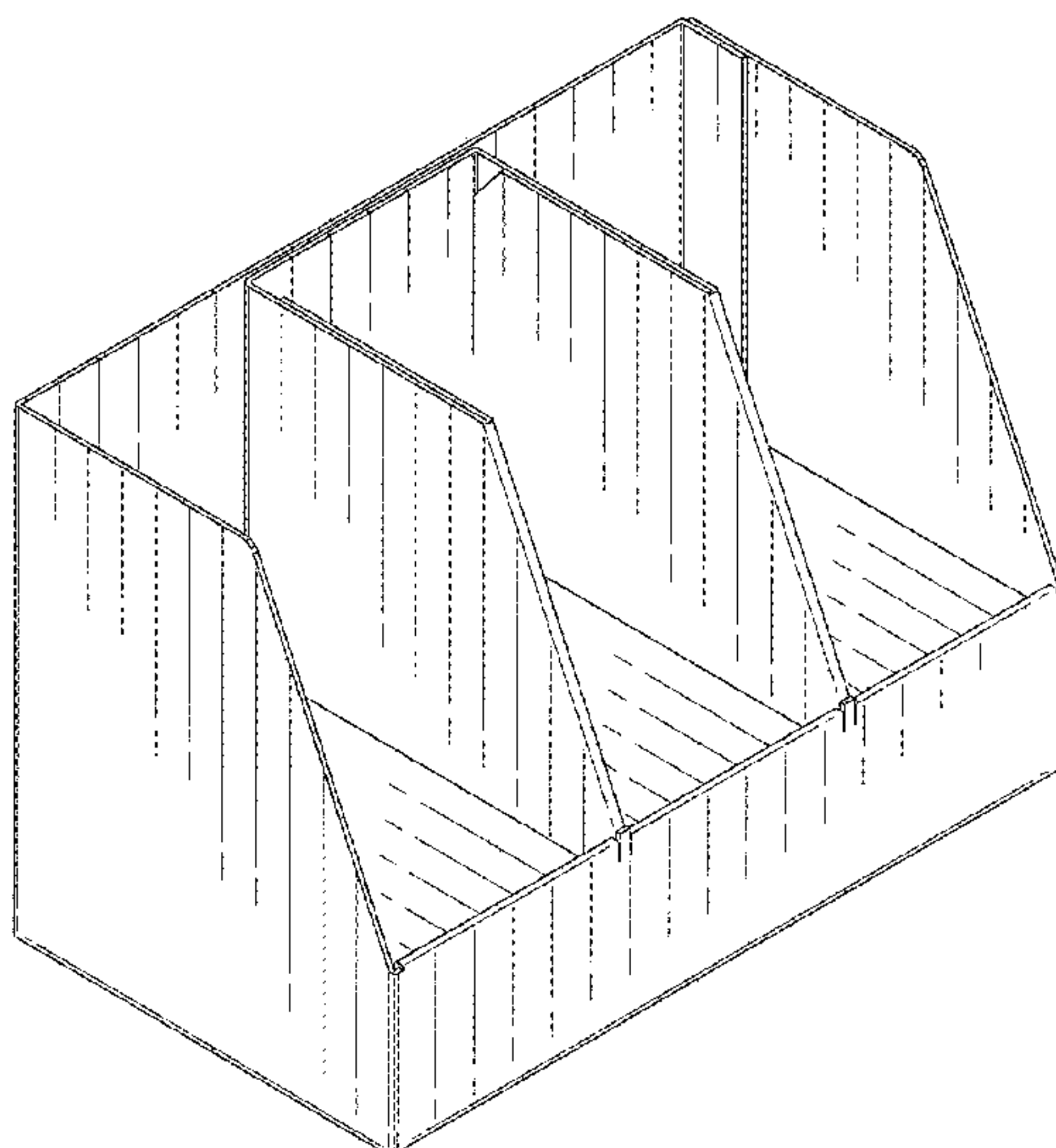
The broken lines depict portions of the display case in which the design is embodied and form no part of the claimed design.

(56) **References Cited**

U.S. PATENT DOCUMENTS

D142,027 S * 8/1945 Glass D6/675
2,537,565 A * 1/1951 Wolters A47B 65/00
211/11

1 Claim, 8 Drawing Sheets



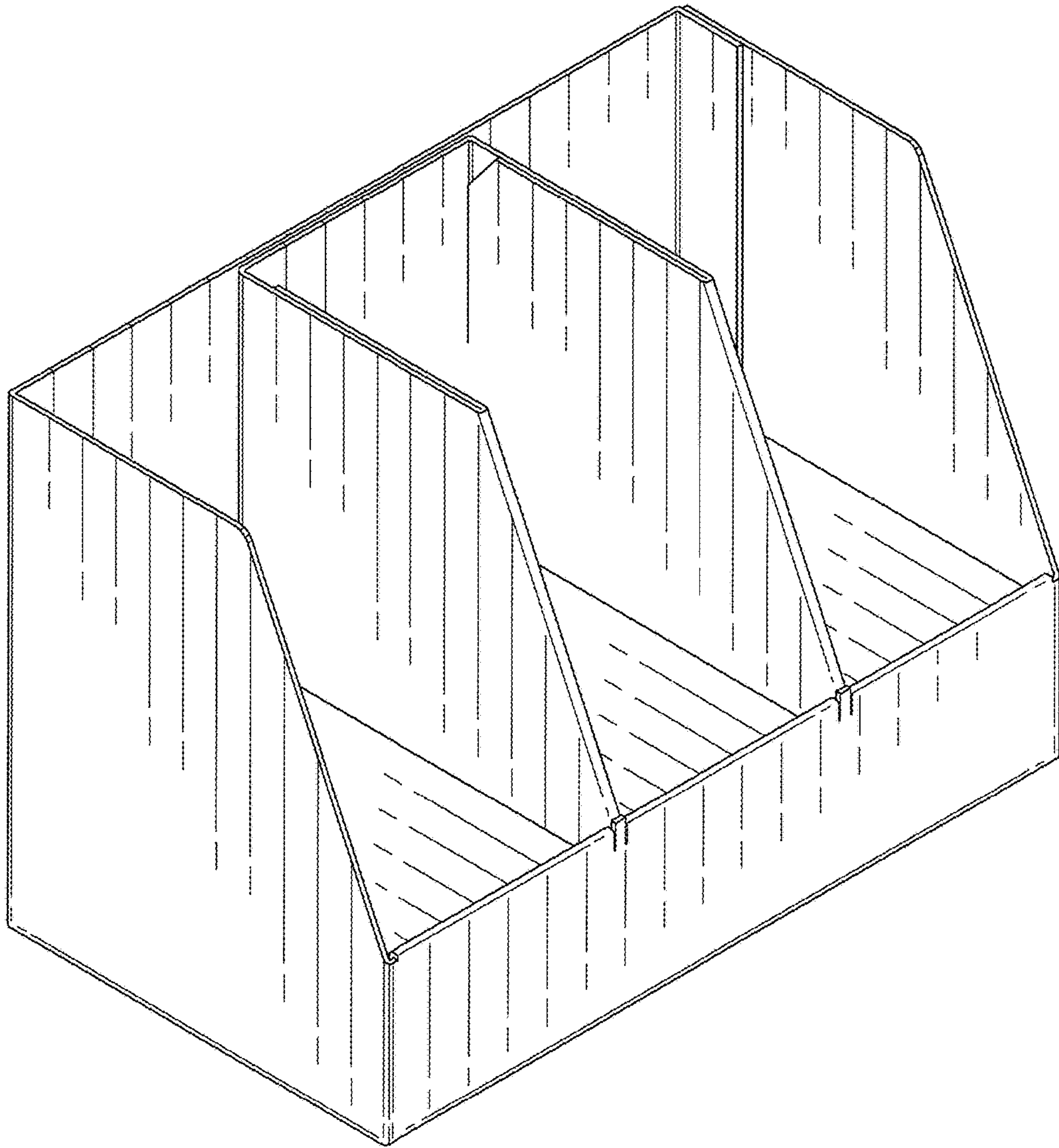


FIG. 1

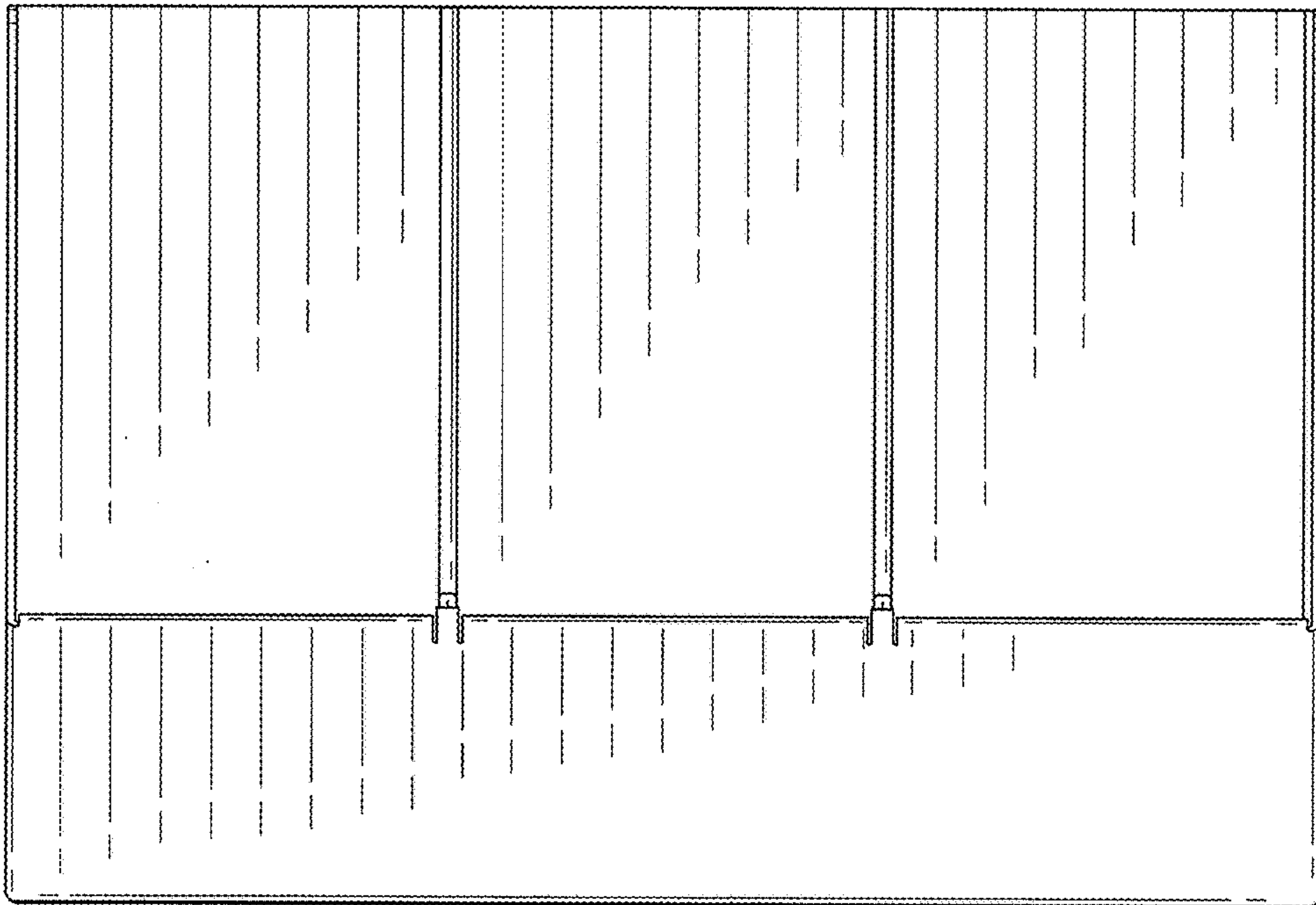


FIG. 2

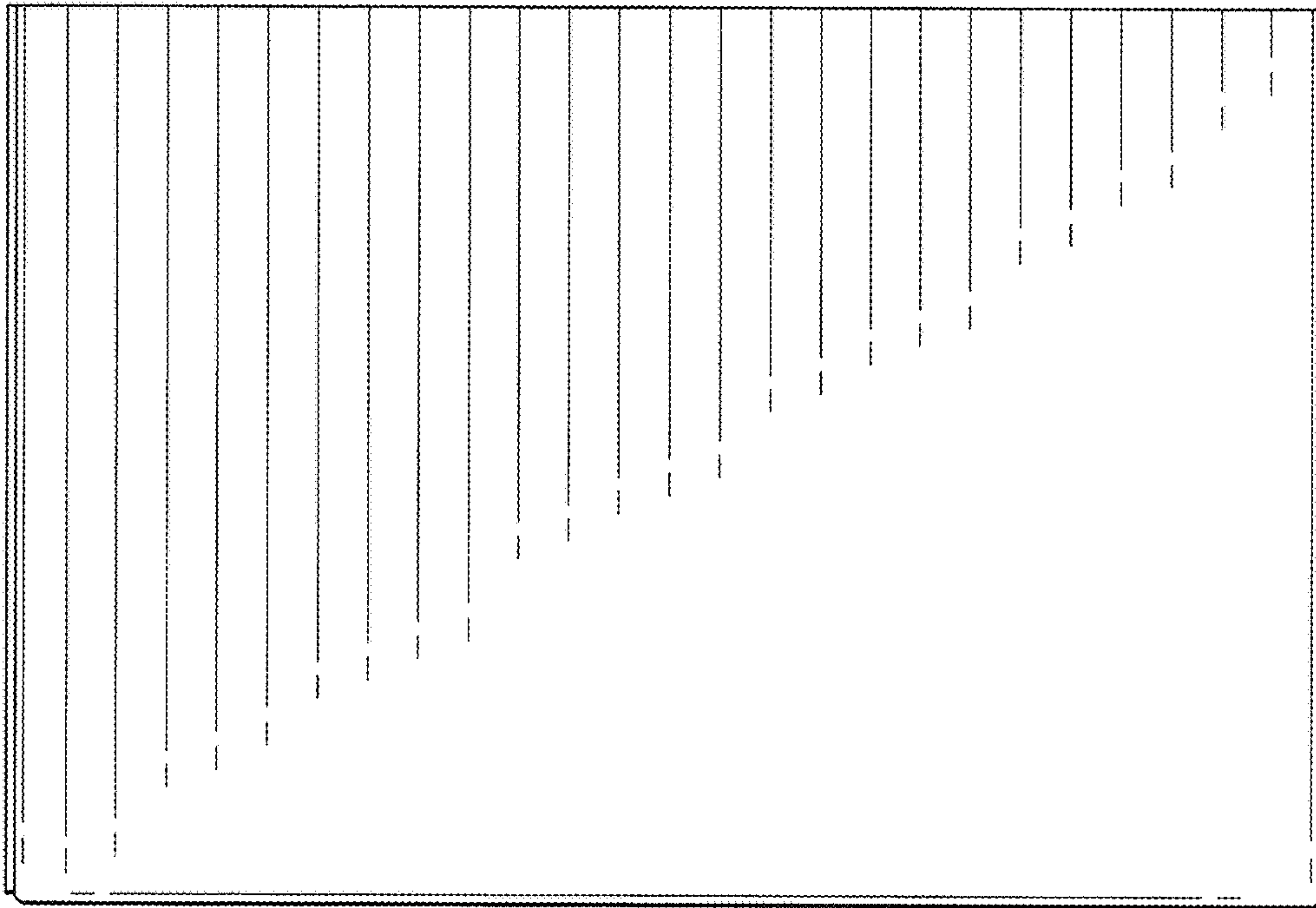


FIG. 3

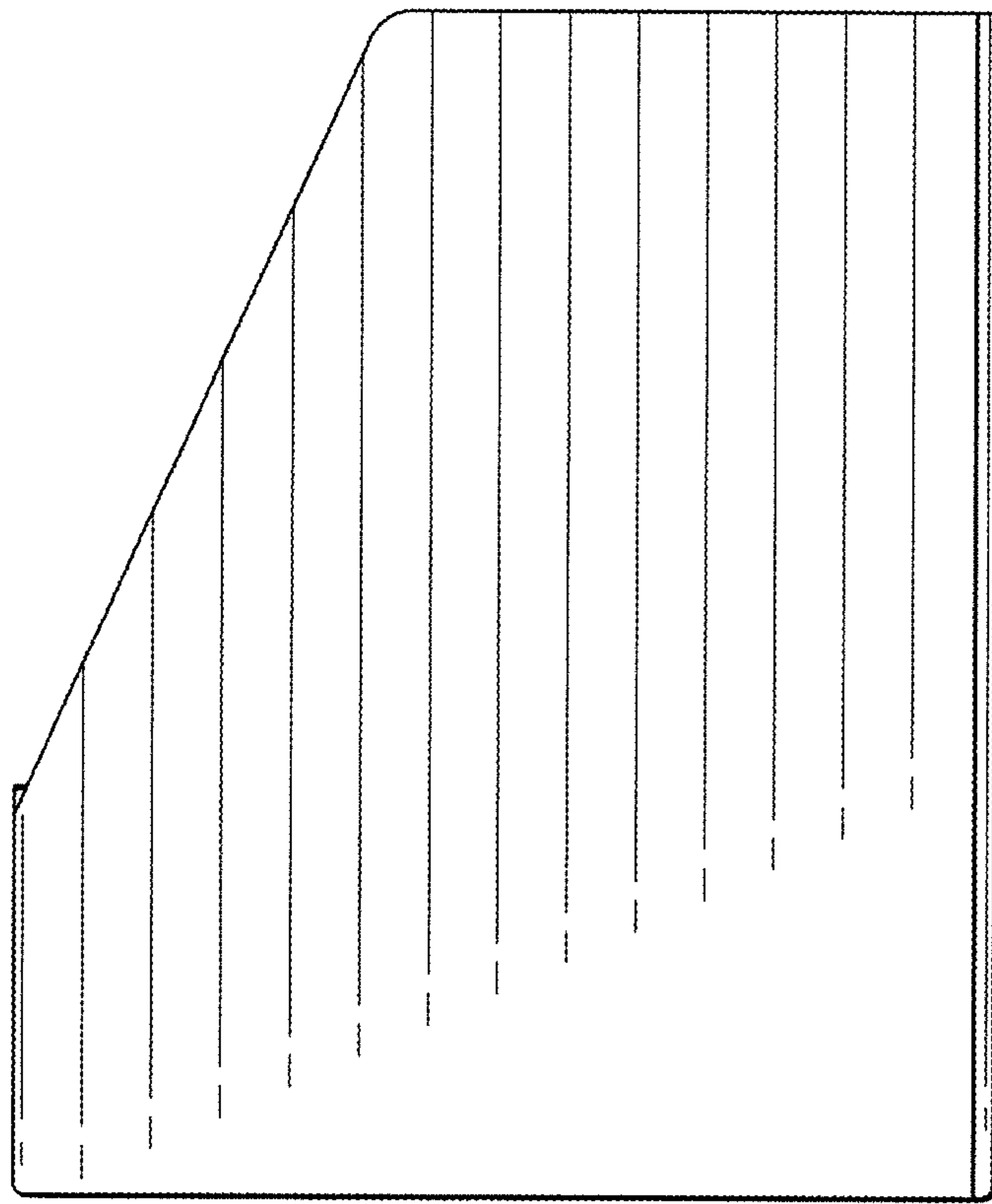


FIG. 4

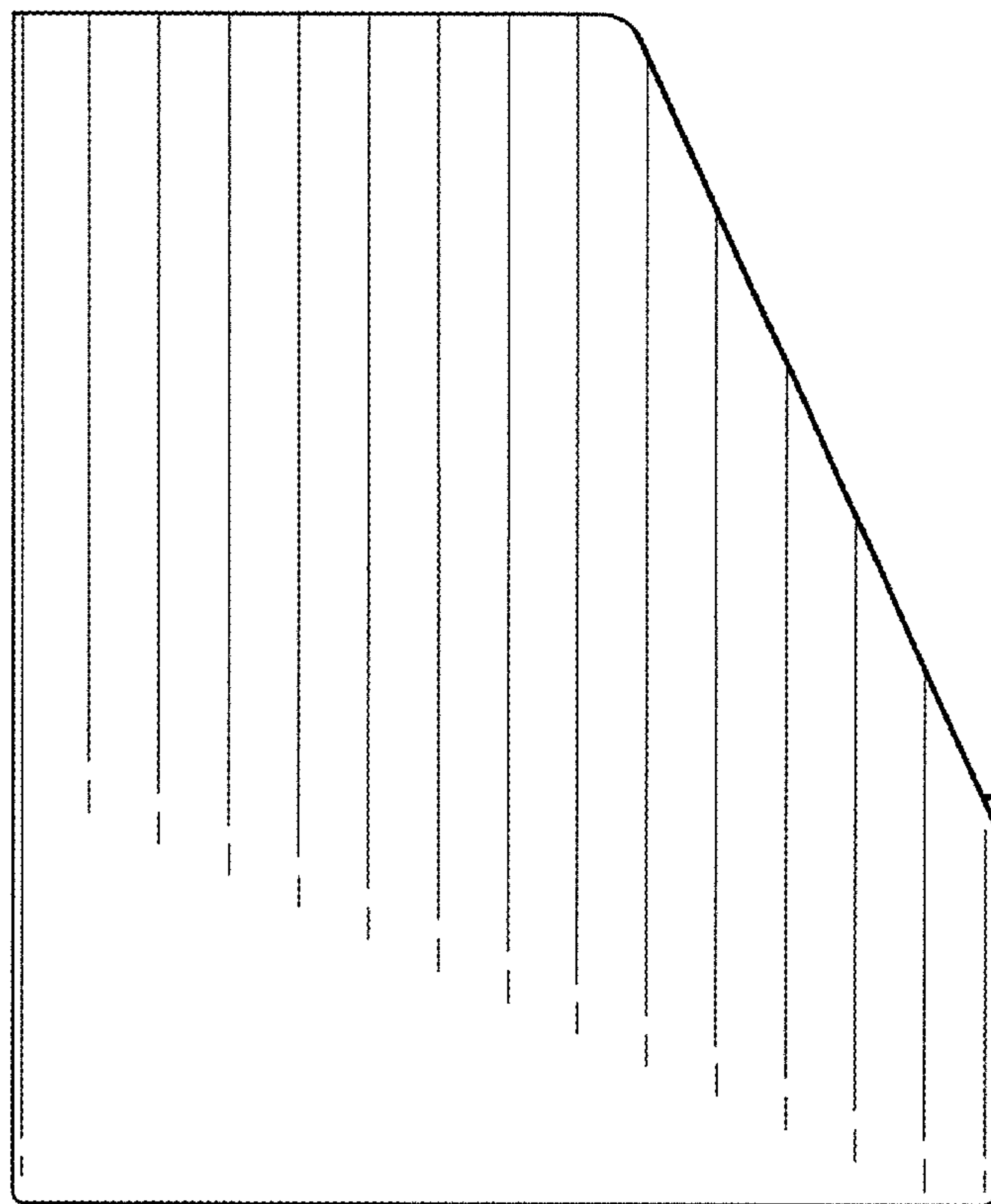


FIG. 5

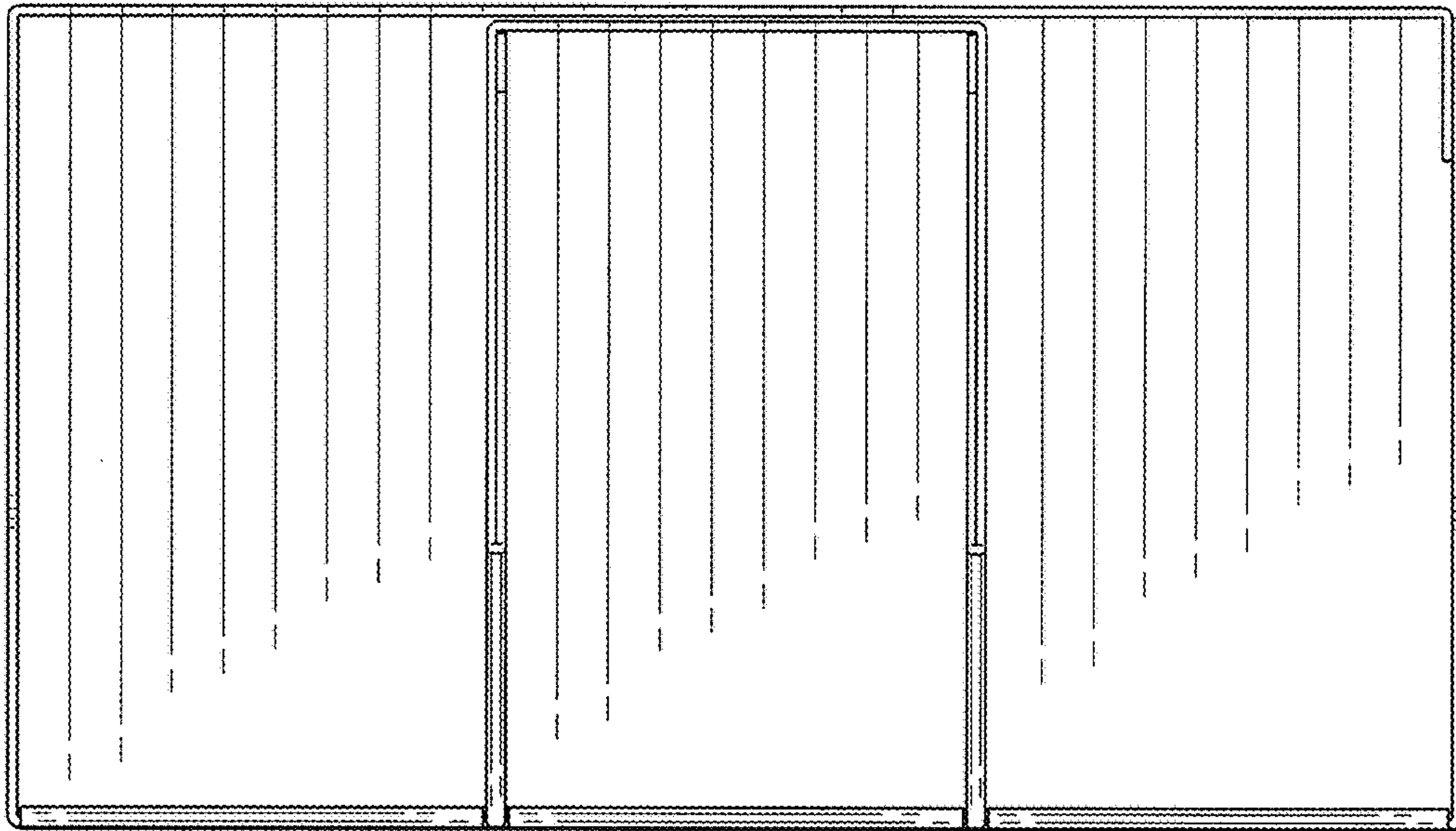


FIG. 6

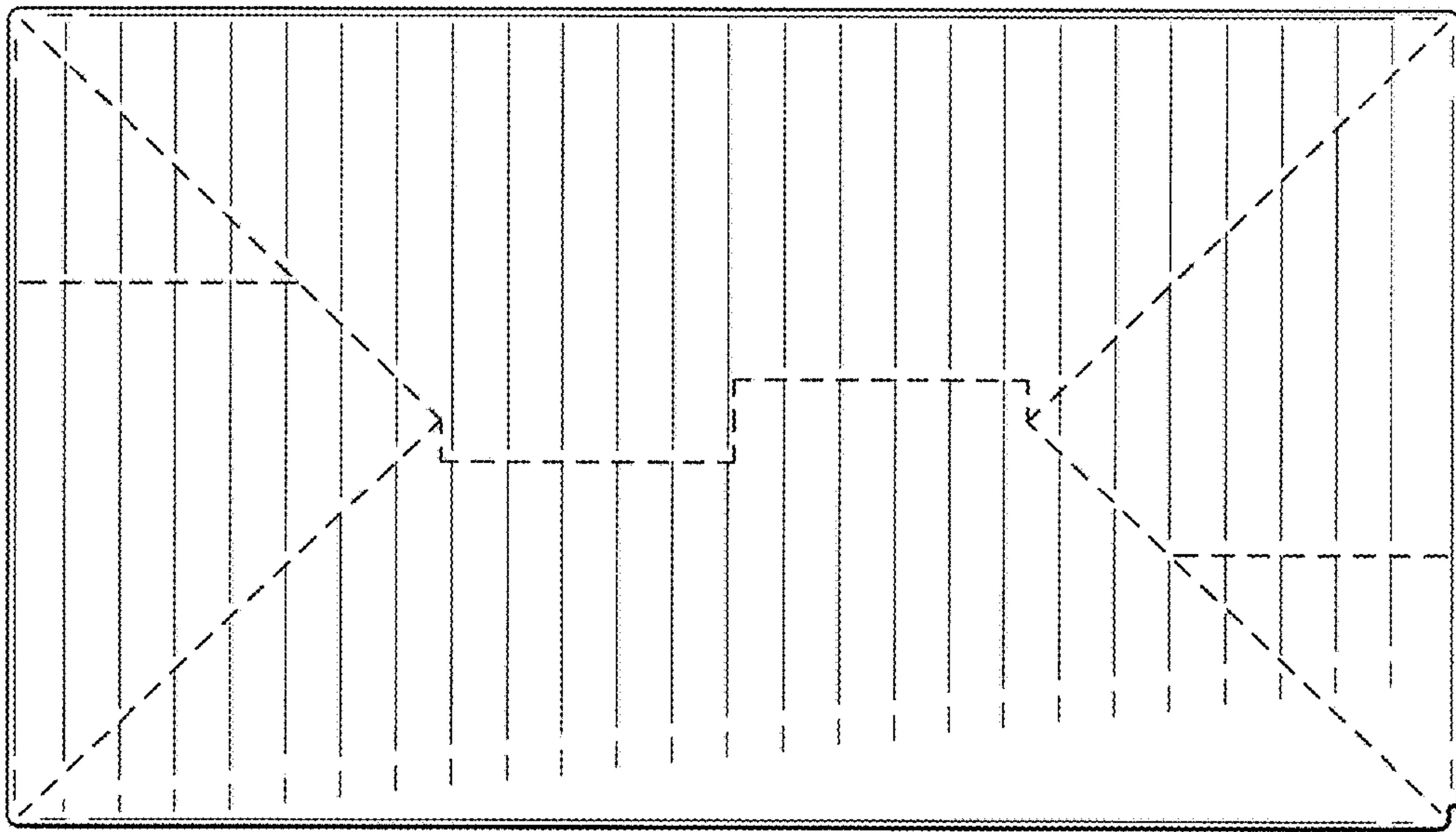


FIG. 7

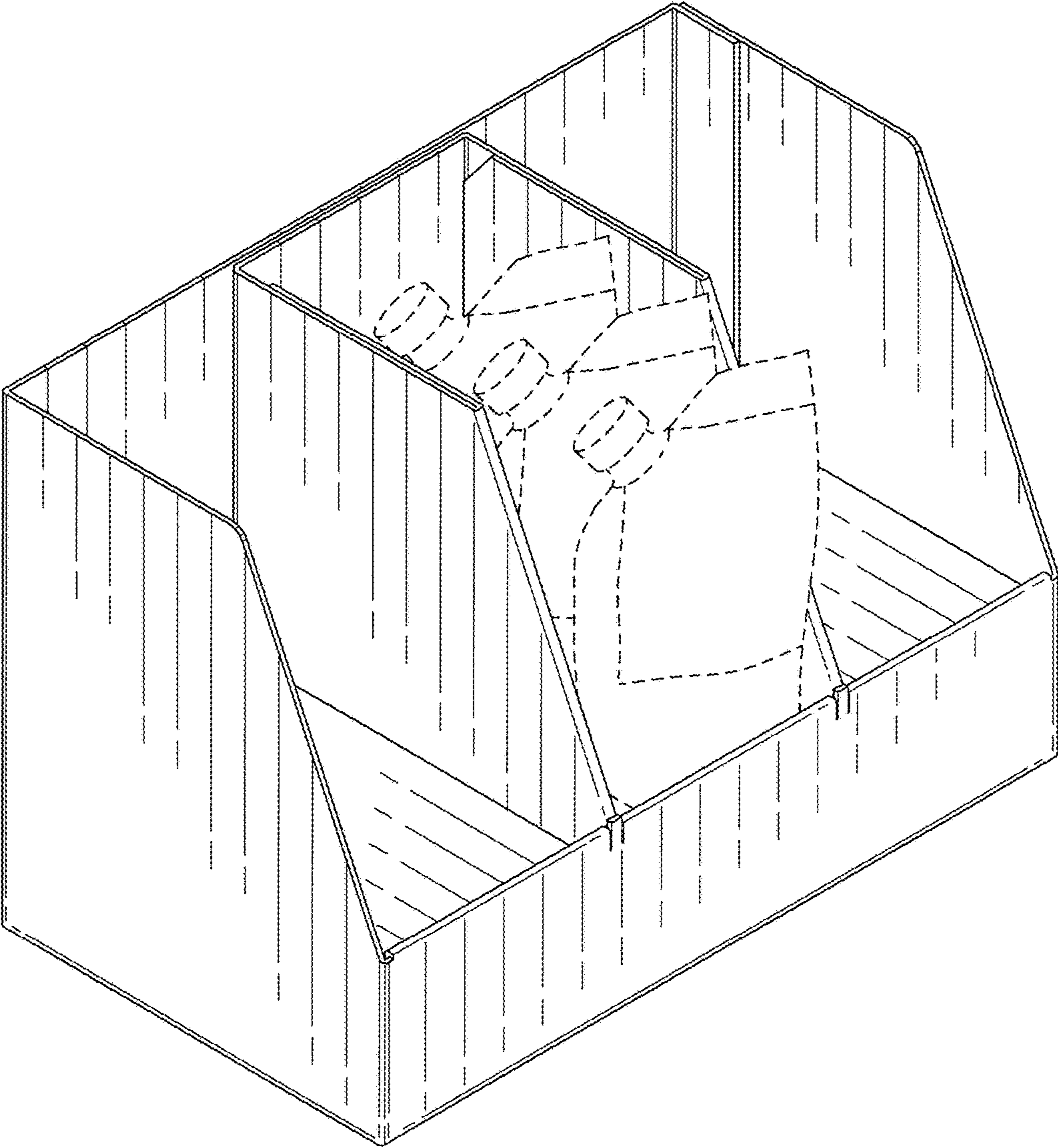


FIG. 8