



US00D814212S

(12) **United States Design Patent** (10) **Patent No.:** **US D814,212 S**
Tuang (45) **Date of Patent:** **** Apr. 3, 2018**

(54) **WALL MOUNTED UTILITY RACK WITH THREE ACUTELY ANGLED DIVIDERS**

(71) Applicant: **EP Family Corp.**, Walnut, CA (US)

(72) Inventor: **Bao-Yi Tuang**, Walnut, CA (US)

(**) Term: **15 Years**

(21) Appl. No.: **29/594,970**

(22) Filed: **Feb. 23, 2017**

(51) **LOC (11) Cl.** **06-04**

(52) **U.S. Cl.**
USPC **D6/566**

(58) **Field of Classification Search**
USPC D6/566, 524, 536, 537, 540, 553, 567,
D6/570, 571, 574, 683.1; D3/304-306;
D19/75-77, 78-80, 86, 87, 89-92;
108/91-93, 107, 144.11, 149; 206/215,
206/425, 556, 557; 211/10, 11, 13.1, 42,
211/45, 50, 85.3, 86.01, 87.01, 88.01,
211/90.01, 90.03, 106, 134, 153, 181.1,
211/188, 126.1; D7/409, 601
CPC A47F 7/146; A47F 5/103; A47G 29/00;
A47J 47/16; A47K 10/04; B62H 3/12;
A47B 96/028; A47B 96/067

See application file for complete search history.

(56) **References Cited**

U.S. PATENT DOCUMENTS

D387,949 S	*	12/1997	Bentson	99/426
D705,576 S	*	5/2014	Tsai	D6/566
D717,371 S	*	11/2014	Tsai	D19/90
D742,145 S	*	11/2015	Hsu	D6/683.1
D773,207 S	*	12/2016	Tsai	D6/566

* cited by examiner

Primary Examiner — Wan Laymon

Assistant Examiner — Mark Booker

(74) *Attorney, Agent, or Firm* — Tommy SF Wang; Wang IP Law Group, P.C.

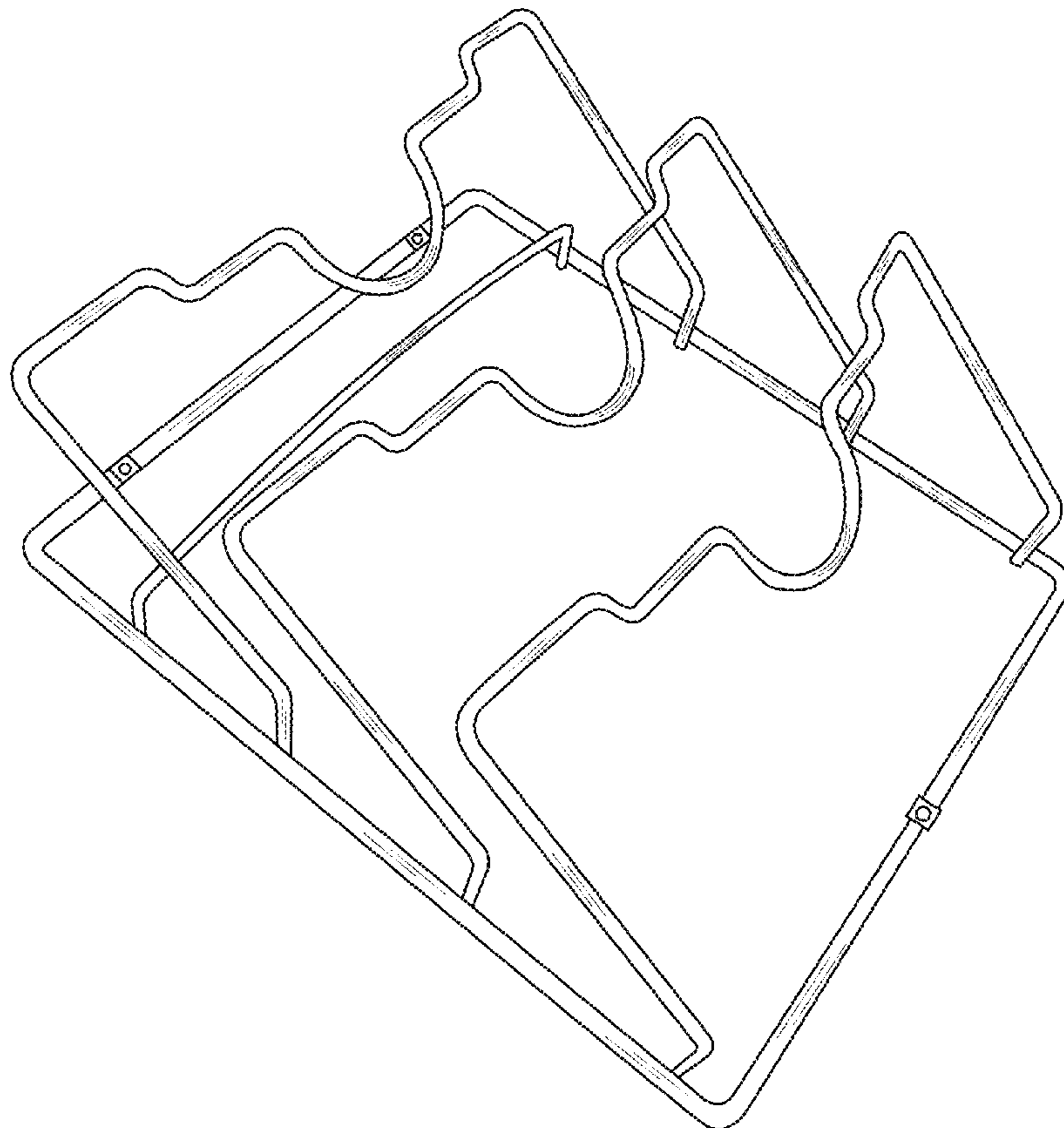
(57) **CLAIM**

The ornamental design for a wall mounted utility rack with three acutely angled dividers, as shown and described.

DESCRIPTION

FIG. 1 is a perspective view of a wall mounted utility rack with three acutely angled dividers, showing my new design; FIG. 2 is a top plan view thereof; FIG. 3 is a bottom plan view thereof; FIG. 4 is a left-side elevational view thereof; FIG. 5 is a right-side elevational view thereof; FIG. 6 is a front elevational view thereof; and, FIG. 7 is a rear elevational view thereof.

1 Claim, 4 Drawing Sheets



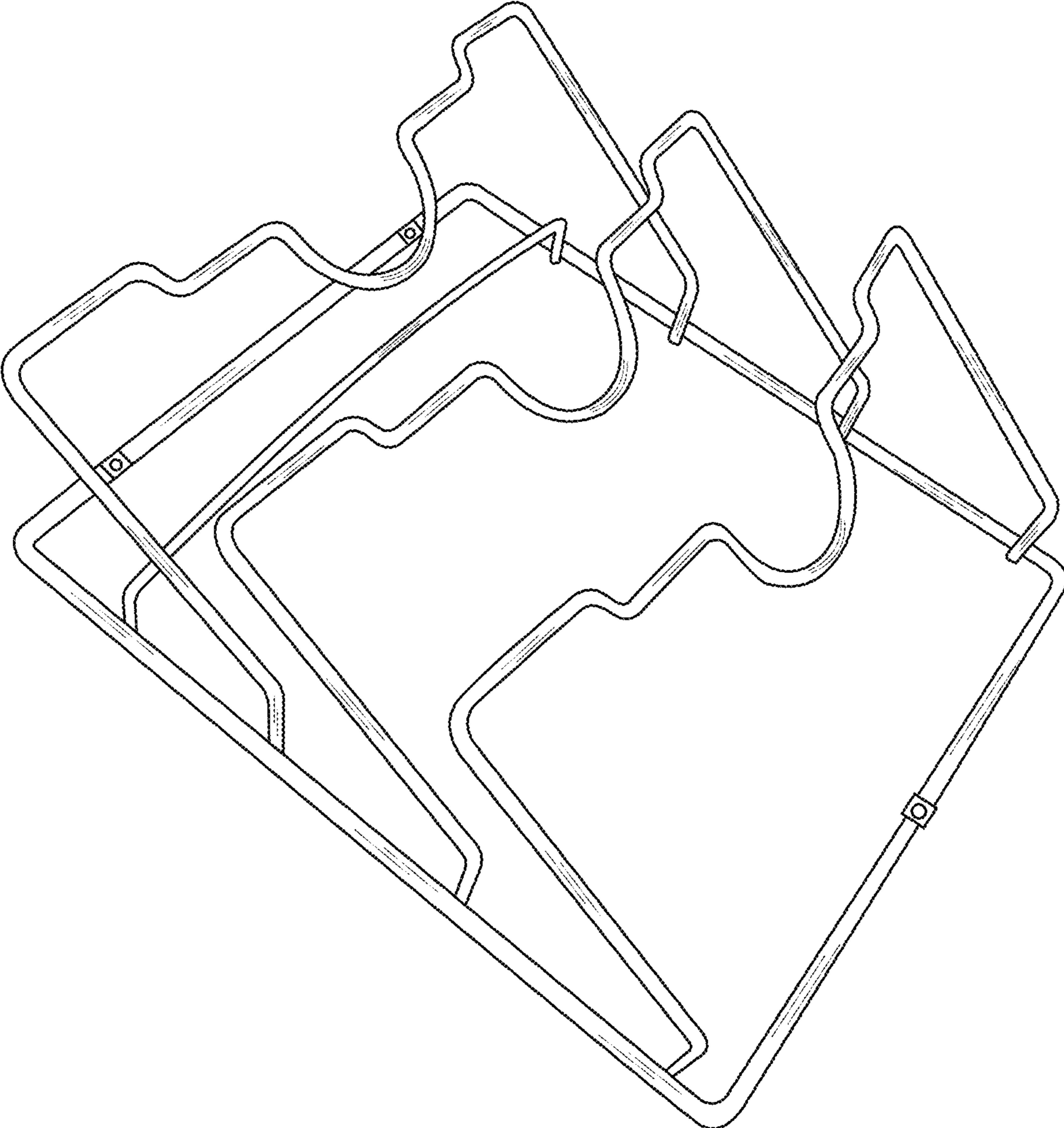


FIG. 1

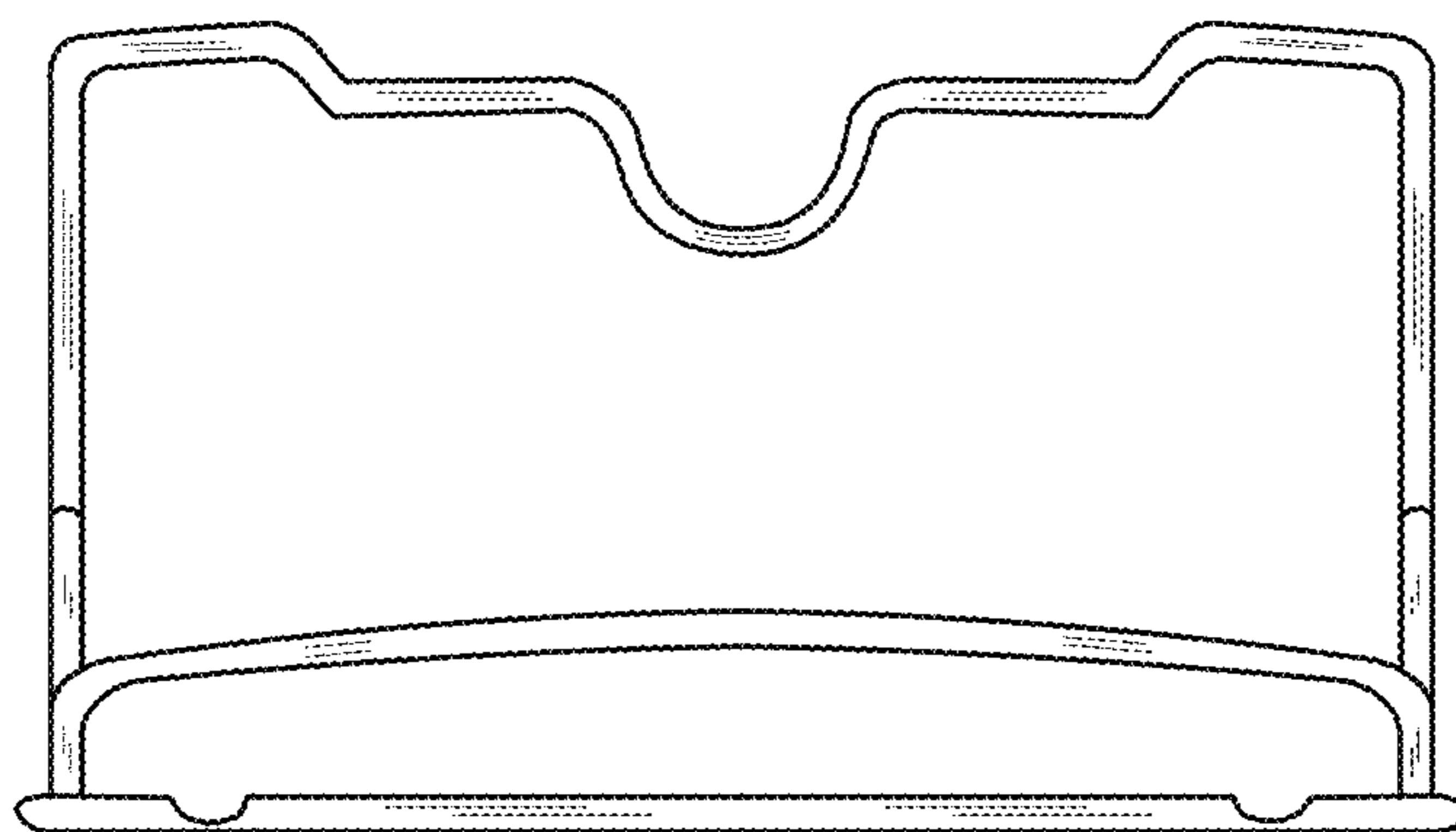


FIG. 2

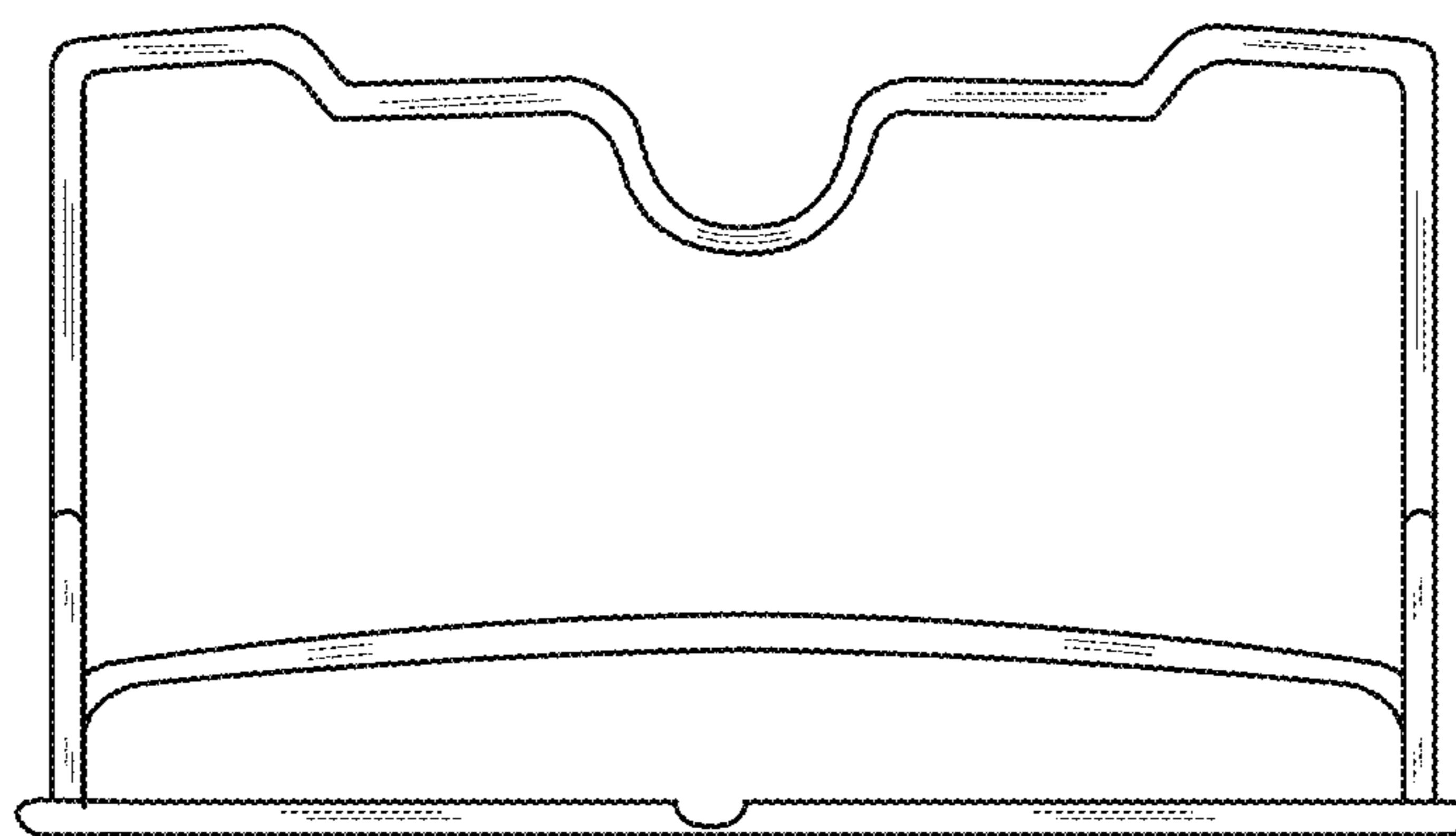


FIG. 3

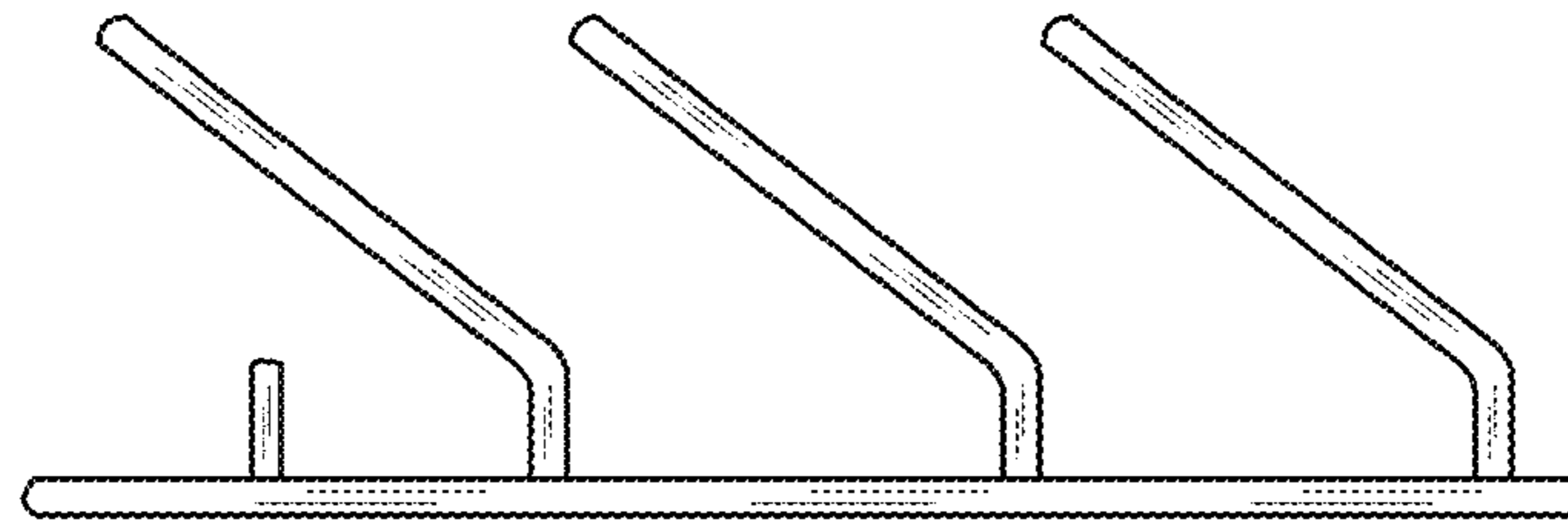


FIG. 4

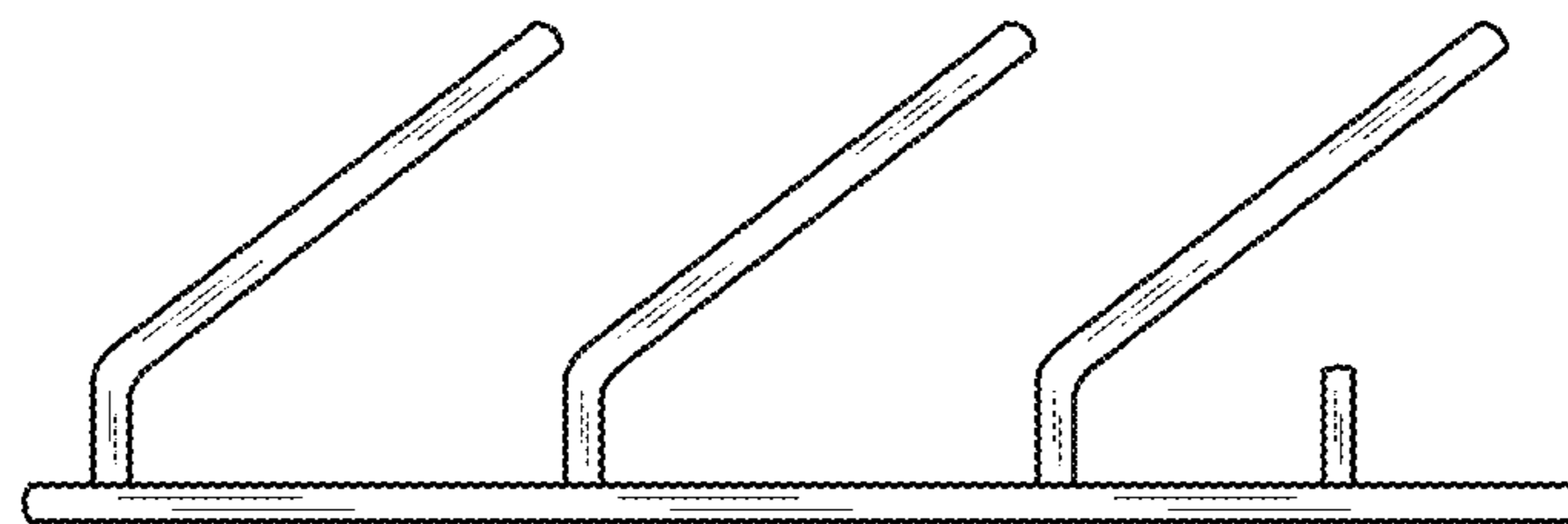


FIG. 5

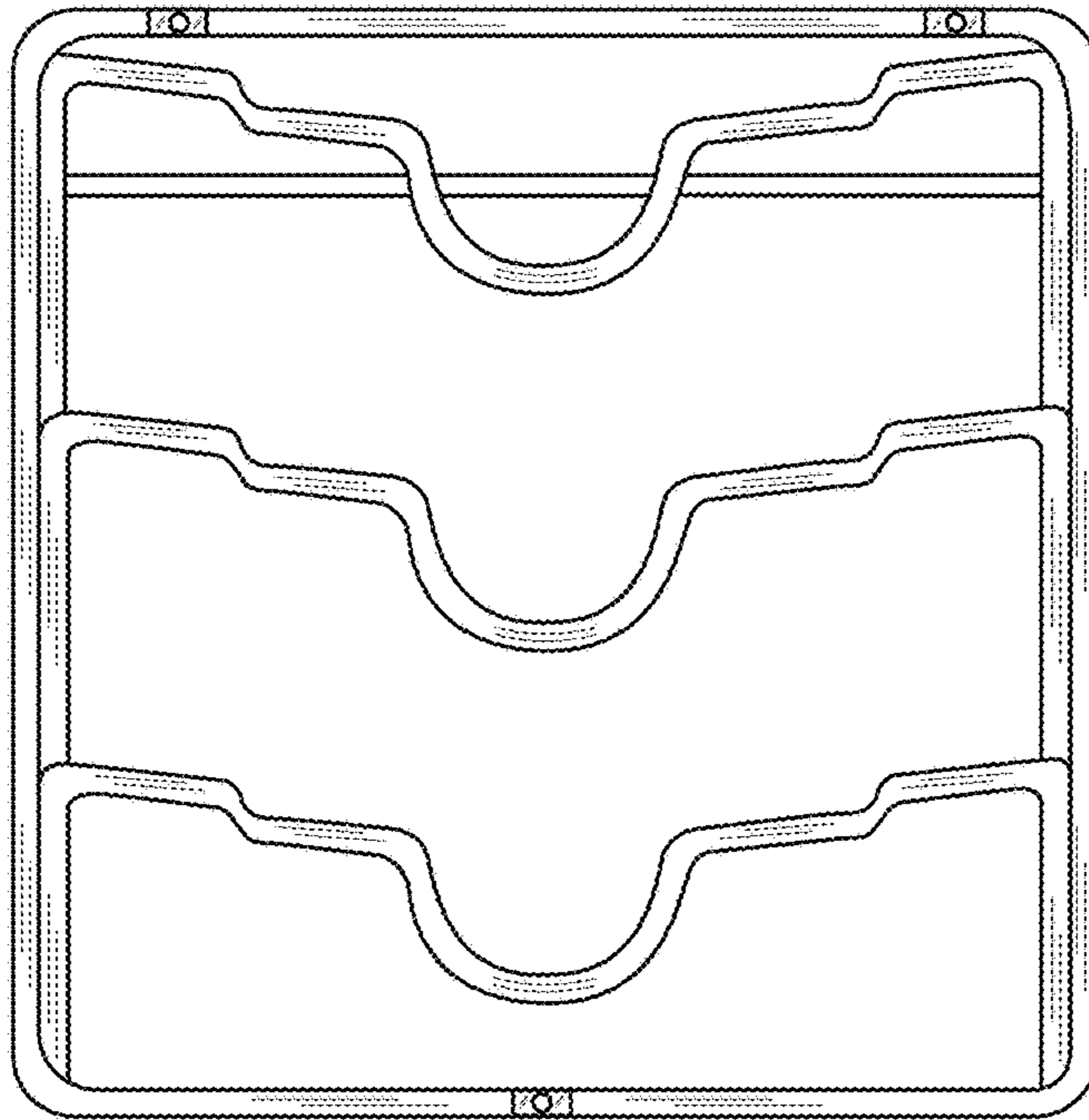


FIG. 6

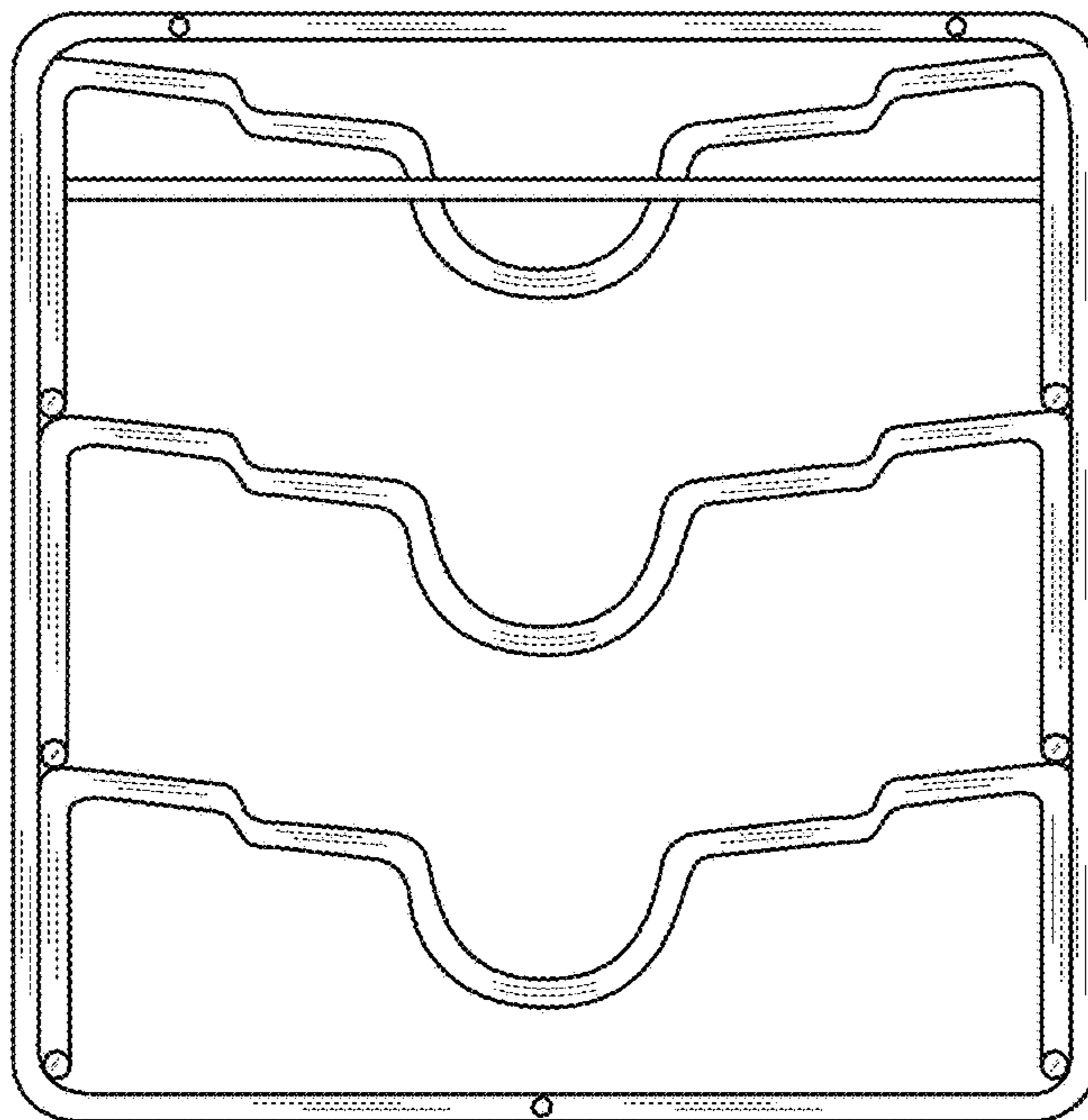


FIG. 7