



US00D814211S

(12) **United States Design Patent**  
**Castellana**

(10) **Patent No.:** **US D814,211 S**

(45) **Date of Patent:** **\*\* Apr. 3, 2018**

(54) **WALL HANGER**

(71) Applicant: **Paul Castellana**, Philadelphia, PA (US)

(72) Inventor: **Paul Castellana**, Philadelphia, PA (US)

(\*\*) Term: **15 Years**

(21) Appl. No.: **29/585,819**

(22) Filed: **Nov. 29, 2016**

(51) **LOC (11) Cl.** ..... **06-04**

(52) **U.S. Cl.**

USPC ..... **D6/566**

(58) **Field of Classification Search**

USPC ..... D6/512-514, 566, 553, 567, 569, 315,  
D6/320, 327; 248/301-304, 309.1, 309.2;  
D8/349, 354, 367, 372; 211/13.1, 30, 32,  
211/70.6, 56.01, 87.01, 181.1

CPC ..... A47G 1/20; A47G 1/1606; A47G 1/17;  
F16M 13/02; F24D 19/02

See application file for complete search history.

(56) **References Cited**

**U.S. PATENT DOCUMENTS**

- 664,837 A \* 1/1901 Davis ..... A01G 13/0243  
160/252
- 1,762,182 A \* 6/1930 Mayer ..... A47L 13/07  
15/206
- D107,036 S \* 11/1937 Weil ..... D11/147
- 2,397,291 A \* 3/1946 Archibald ..... F16L 3/223  
211/120
- 3,226,468 A \* 12/1965 Patton ..... F16L 3/04  
174/503
- 4,606,180 A \* 8/1986 Archer ..... A01D 7/00  
56/400.11

(Continued)

**OTHER PUBLICATIONS**

Mocosubmit.com, Hang Wave Hanger by Paul Castellana, Jul. 10, 2017, <http://mocosubmit.com/hang-wave-hanger-by-paul-castellana/>.\*

*Primary Examiner* — David Muller

*Assistant Examiner* — Nathan Johnston

(74) *Attorney, Agent, or Firm* — Gottlieb, Rackman & Reisman, PC

(57) **CLAIM**

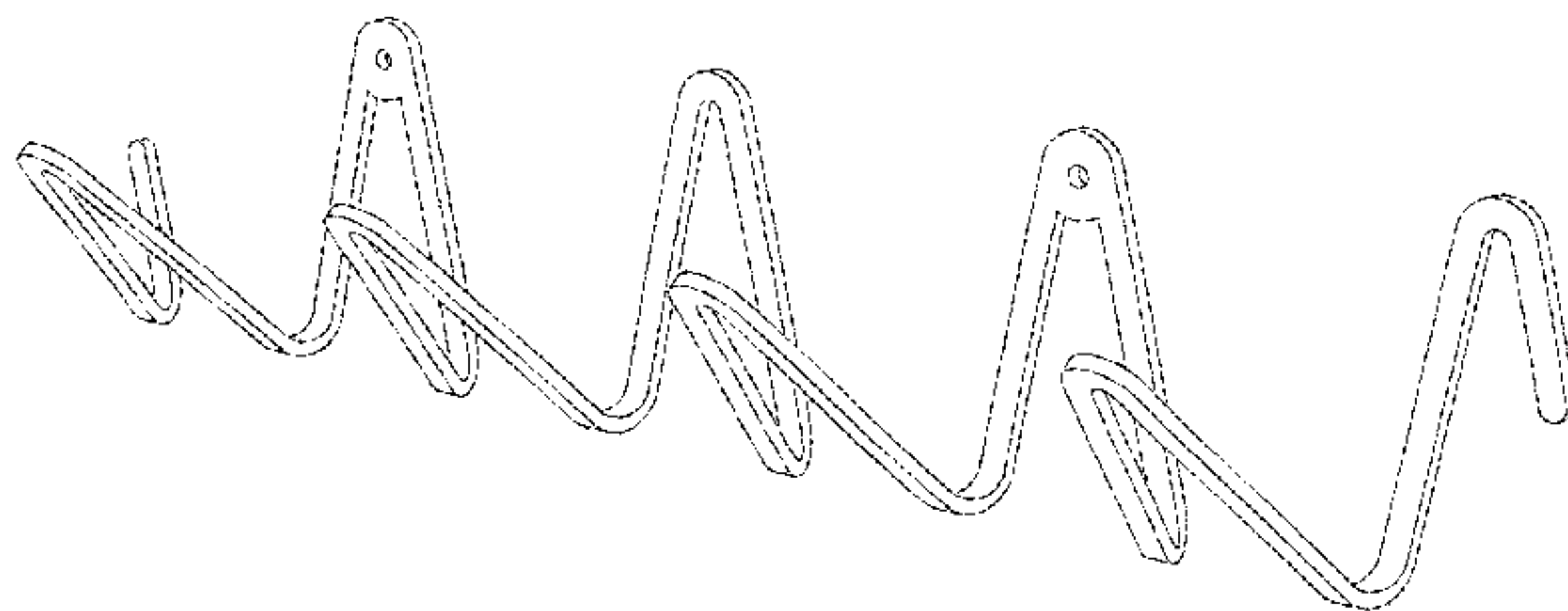
The ornamental design for a wall hanger, as shown and described.

**DESCRIPTION**

FIG. 1 is a perspective view of a first embodiment of the wall hanger showing my new design;  
 FIG. 2 is a front elevation view thereof;  
 FIG. 3 is a rear elevation view thereof;  
 FIG. 4 is a top plan view thereof;  
 FIG. 5 is a bottom plan view thereof;  
 FIG. 6 is a left side elevation view thereof;  
 FIG. 7 is a right side elevation view thereof;  
 FIG. 8 is an additional perspective view of said first embodiment, also showing portions of identical units on both sides thereof, said portions being shown in broken lines to indicate that additional units may be placed on each side thereof;  
 FIG. 9 is a perspective view of a second embodiment of my new design;  
 FIG. 10 is a front elevation view thereof;  
 FIG. 11 is a rear elevation view thereof;  
 FIG. 12 is a top plan view thereof;  
 FIG. 13 is a bottom plan view thereof;  
 FIG. 14 is a left side elevation view thereof;  
 FIG. 15 is a right side elevation view thereof; and,  
 FIG. 16 is an additional perspective view of said second embodiment, also showing portions of identical units on both sides thereof, said portions being shown in broken lines to indicate that additional units may be placed on each side thereof.

The broken line showing of parts of the drawings is included for the purpose of illustrating use and environment and forms no part of the claimed design.

**1 Claim, 14 Drawing Sheets**



(56)

**References Cited**

U.S. PATENT DOCUMENTS

D291,154	S	*	8/1987	Owen	.....	D6/317
4,886,173	A	*	12/1989	Goulter	.....	A47F 13/085
						211/120
D355,841	S	*	2/1995	Goodman	.....	D6/320
D465,406	S	*	11/2002	Goodman	.....	D6/566
D465,998	S	*	11/2002	Goodman	.....	D6/566
D473,455	S	*	4/2003	Goodman	.....	D6/513
D483,655	S	*	12/2003	Dretzka	.....	D8/367
D484,394	S	*	12/2003	Marcus	.....	D8/372
D540,046	S	*	4/2007	Williams	.....	D6/320
D599,630	S	*	9/2009	Taylor	.....	D8/1
D616,232	S	*	5/2010	Guindi	.....	D6/514
D637,891	S	*	5/2011	Chikiri	.....	D8/356
D666,856	S	*	9/2012	Goodman	.....	D6/566
D666,859	S	*	9/2012	Goodman	.....	D6/566
D667,250	S	*	9/2012	Goodman	.....	D6/566
D699,467	S	*	2/2014	Tsai	.....	D6/514
D705,577	S	*	5/2014	Goodman	.....	D6/566
D724,325	S	*	3/2015	Klein	.....	D6/315
D772,101	S	*	11/2016	Mullis, Jr.	.....	D11/143
D789,757	S	*	6/2017	Phillips	.....	D7/704

\* cited by examiner

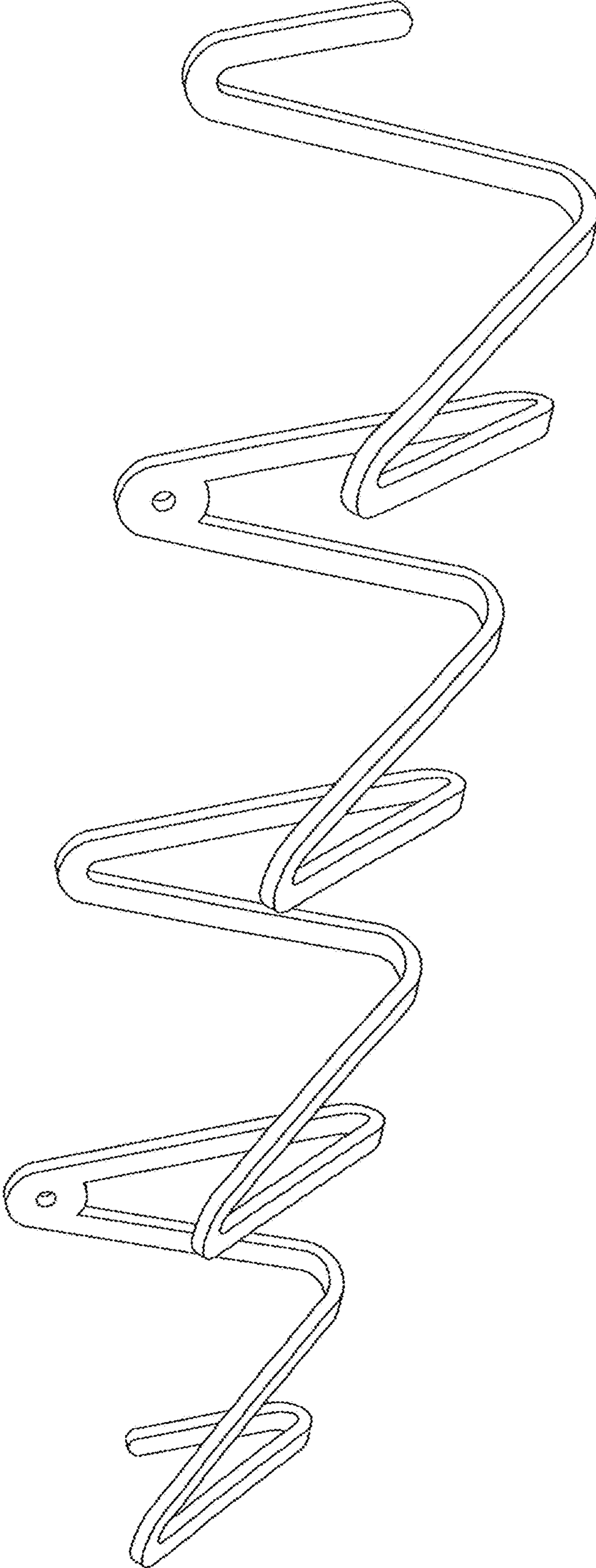


FIG. 1

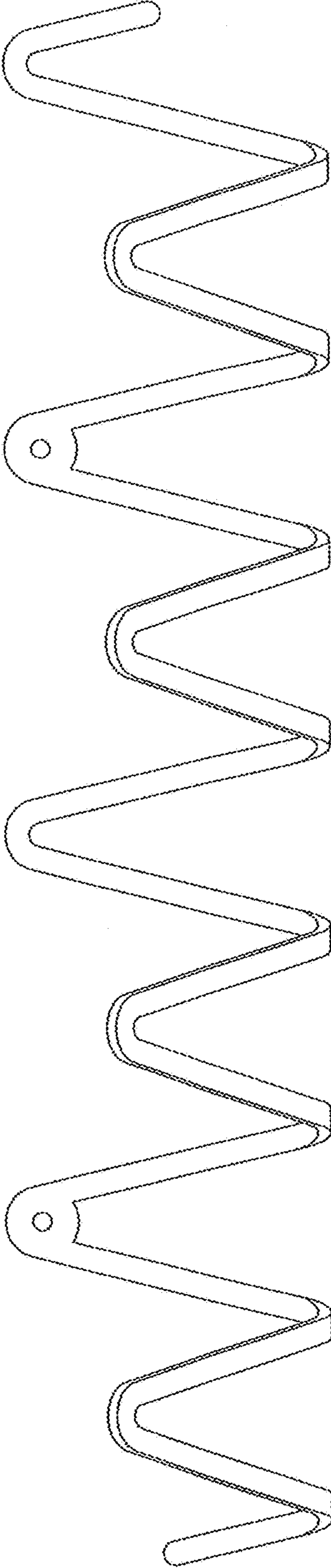


FIG. 2

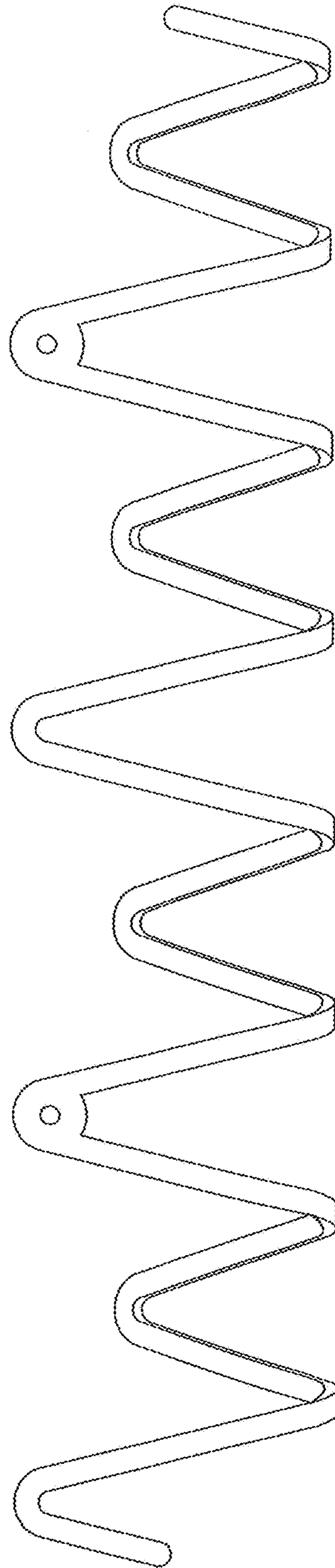


FIG. 3



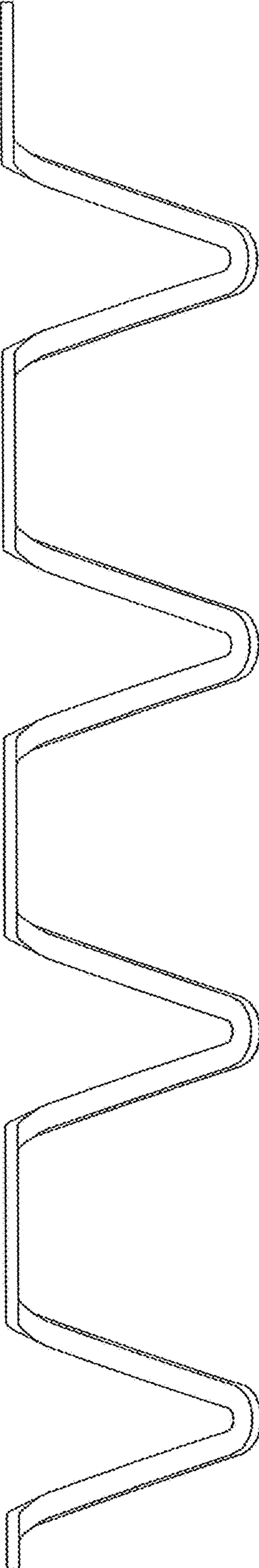


FIG. 4

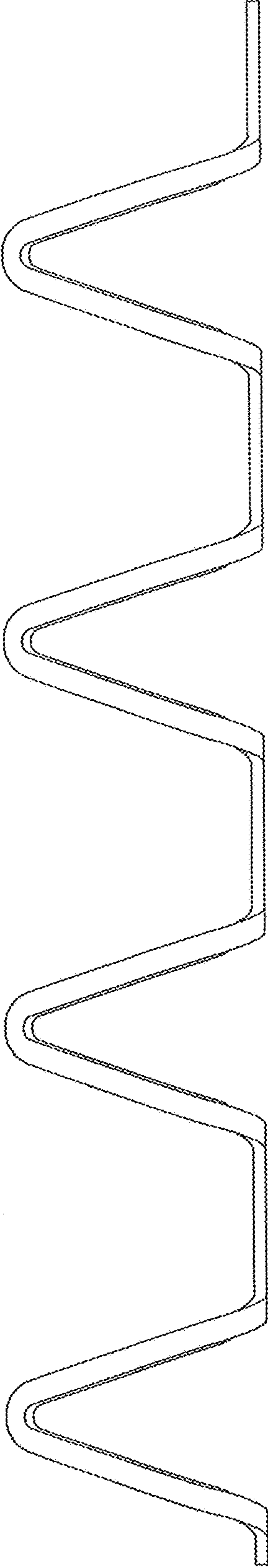


FIG. 5

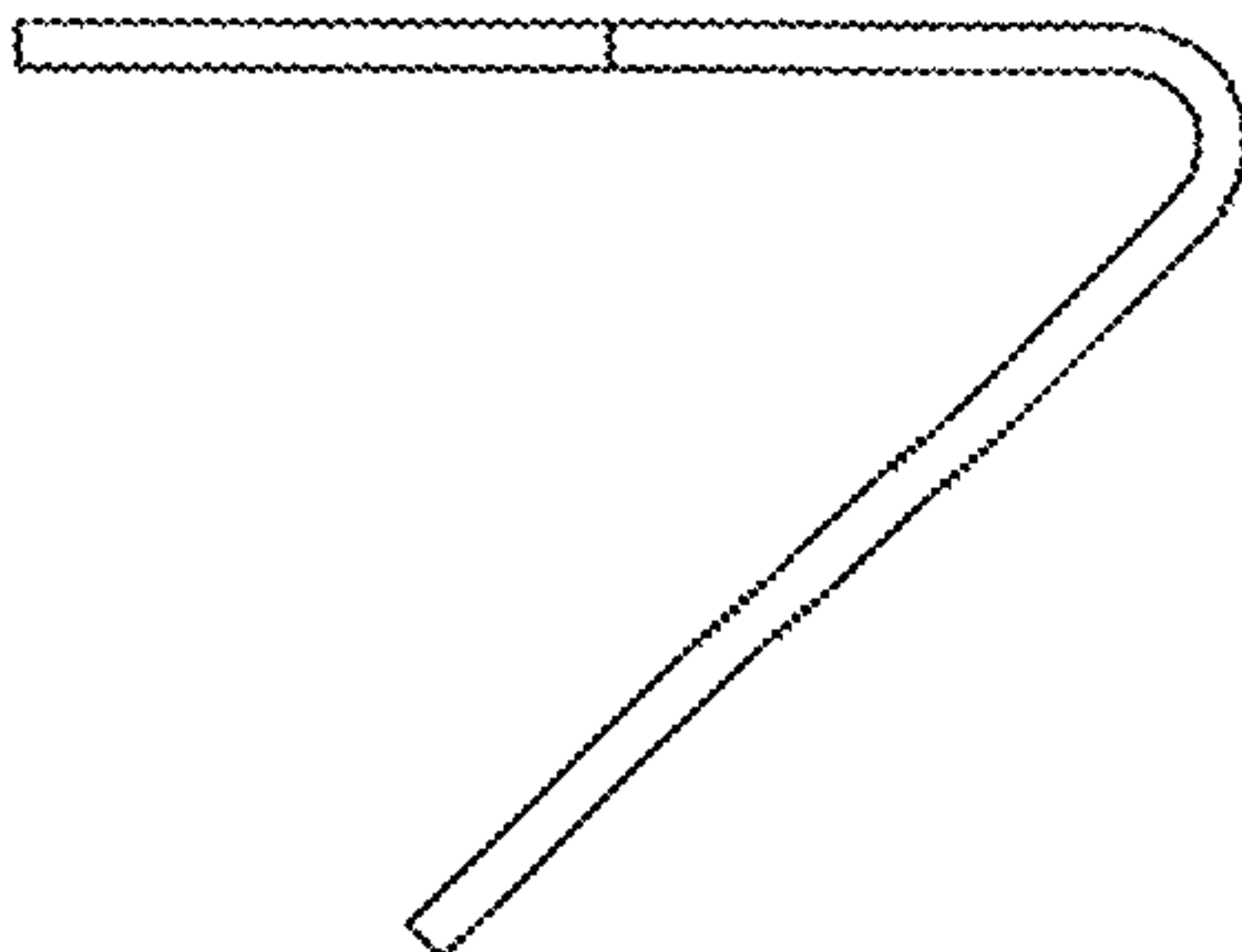


FIG. 7

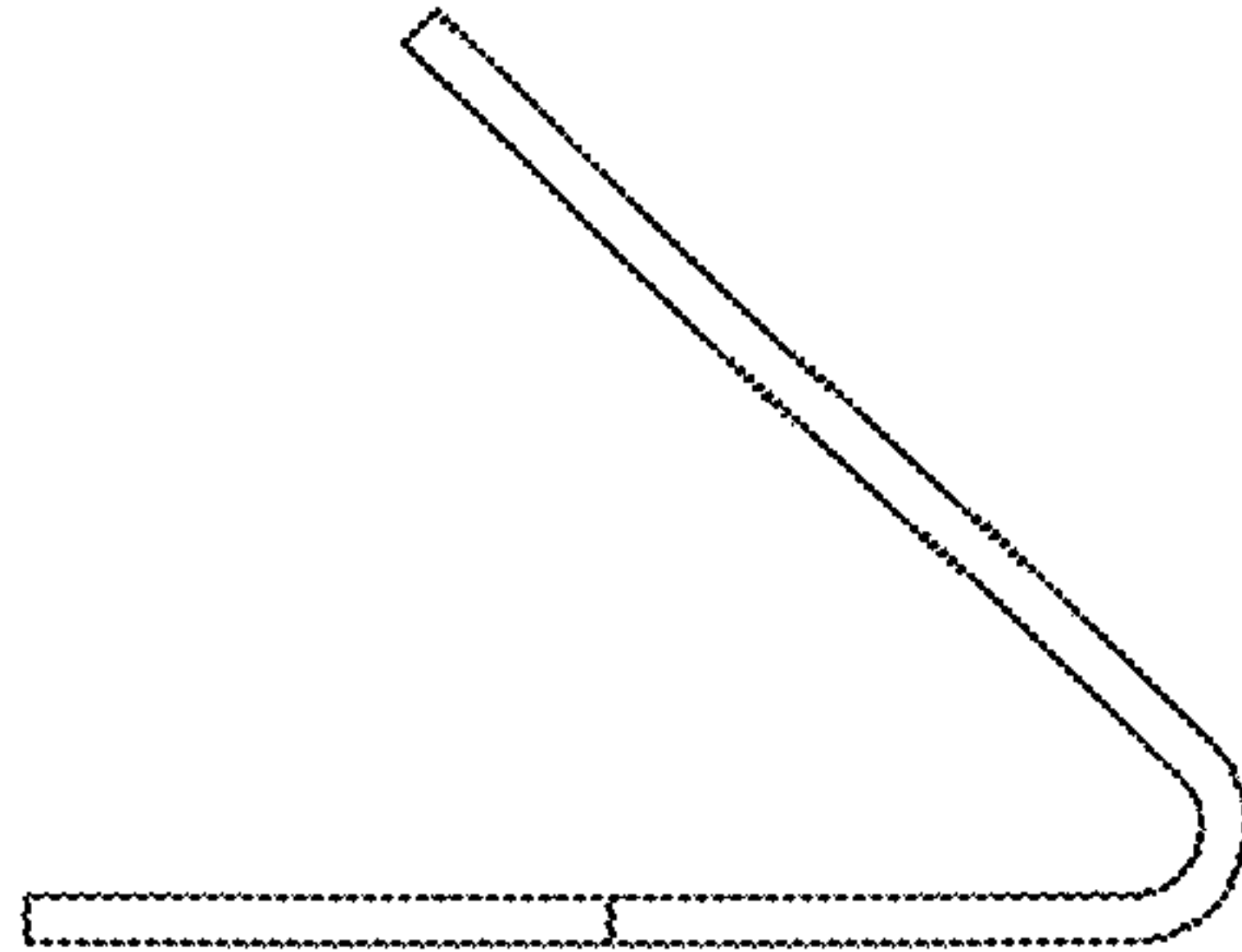


FIG. 6



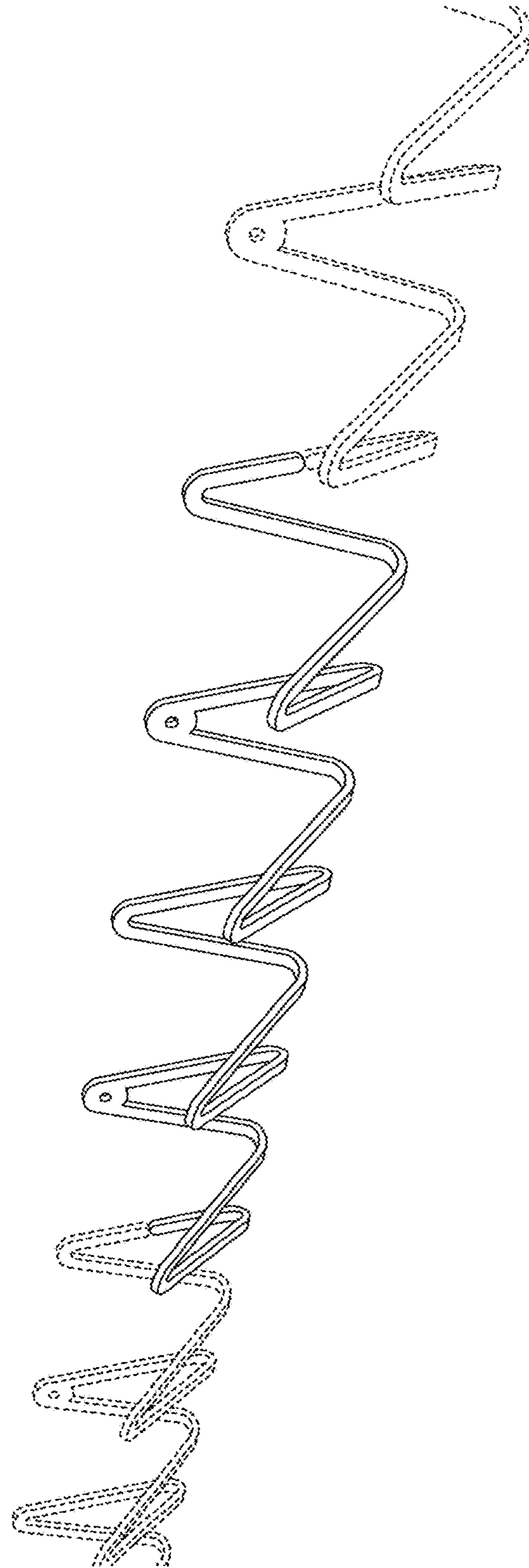


FIG. 8

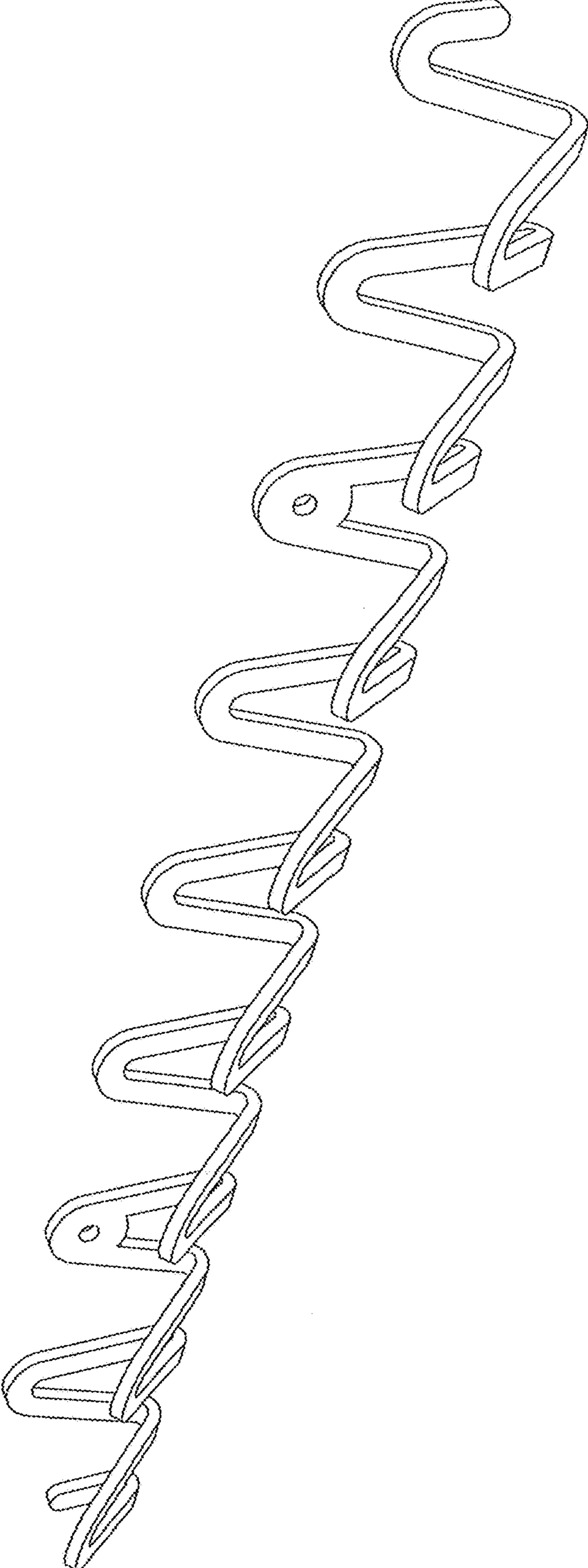


FIG. 9

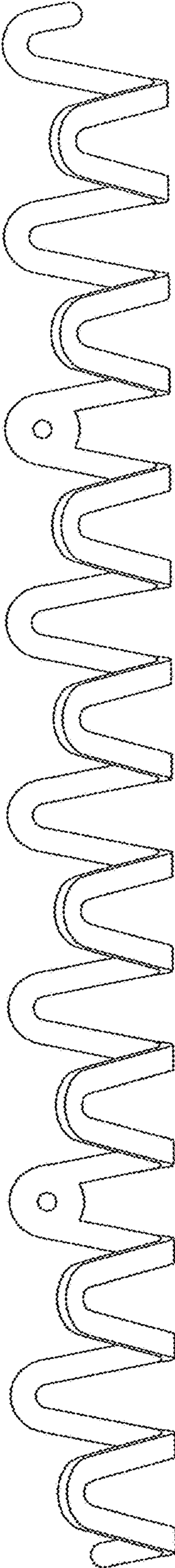


FIG. 10

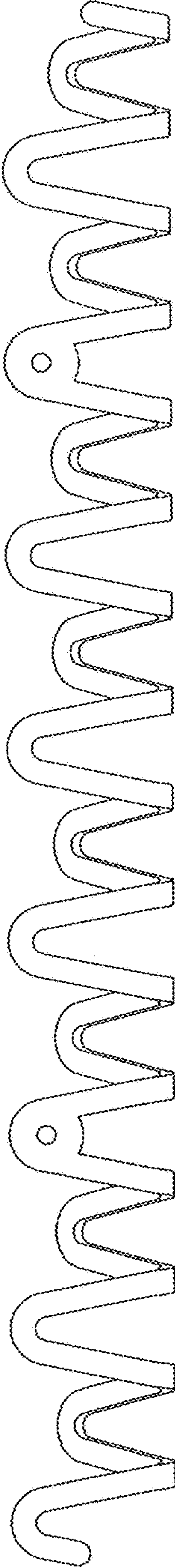


FIG. 11

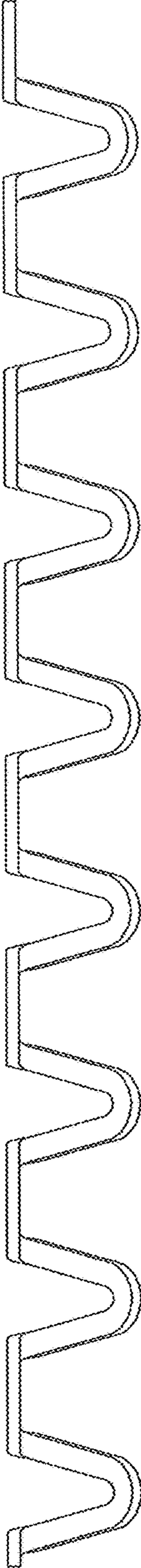


FIG. 12

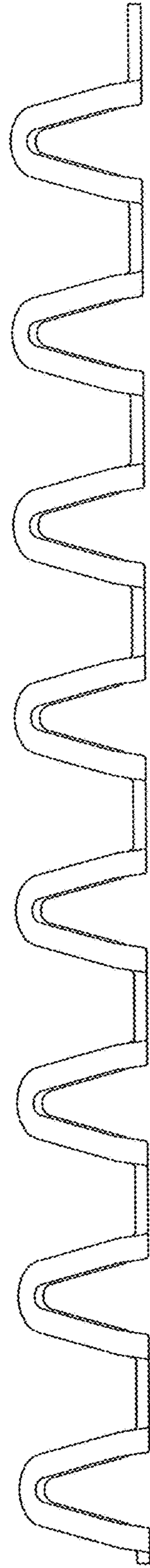


FIG. 13



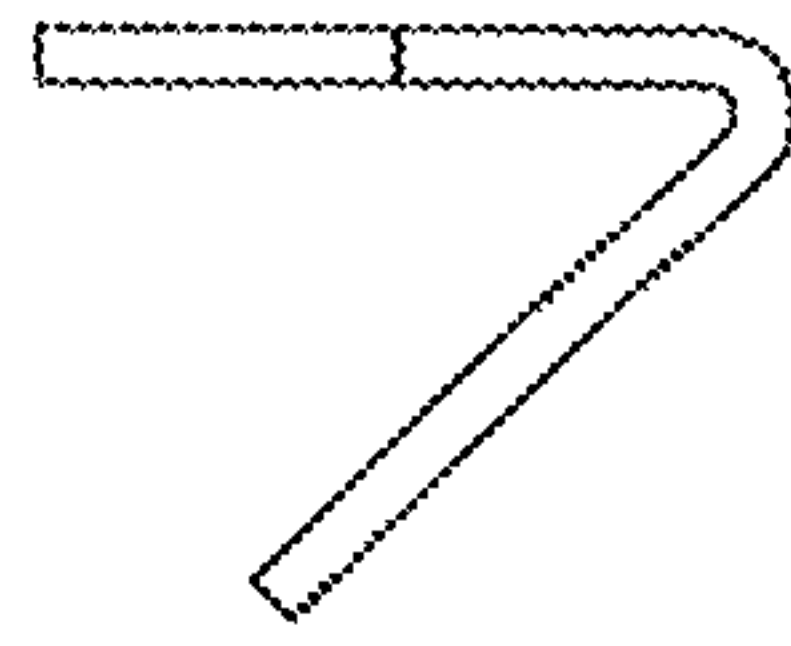


FIG. 15

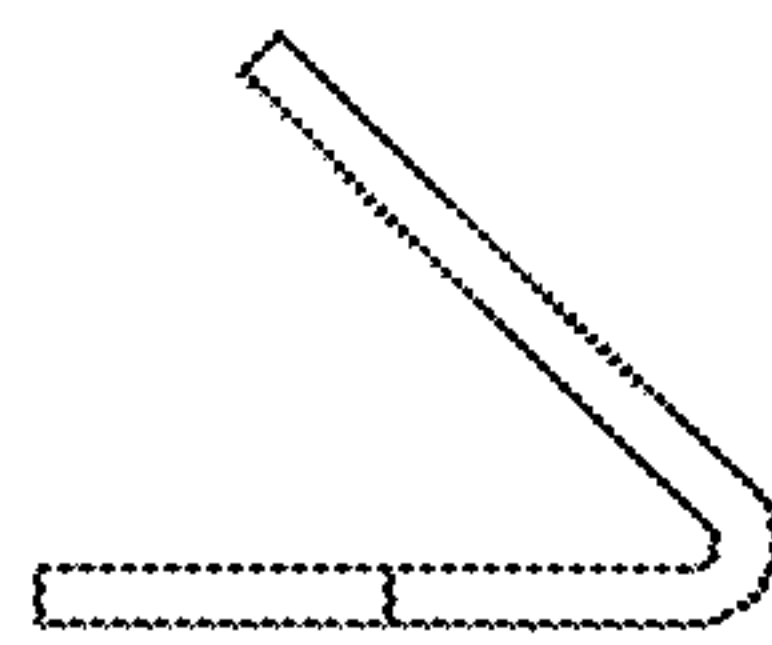


FIG. 14

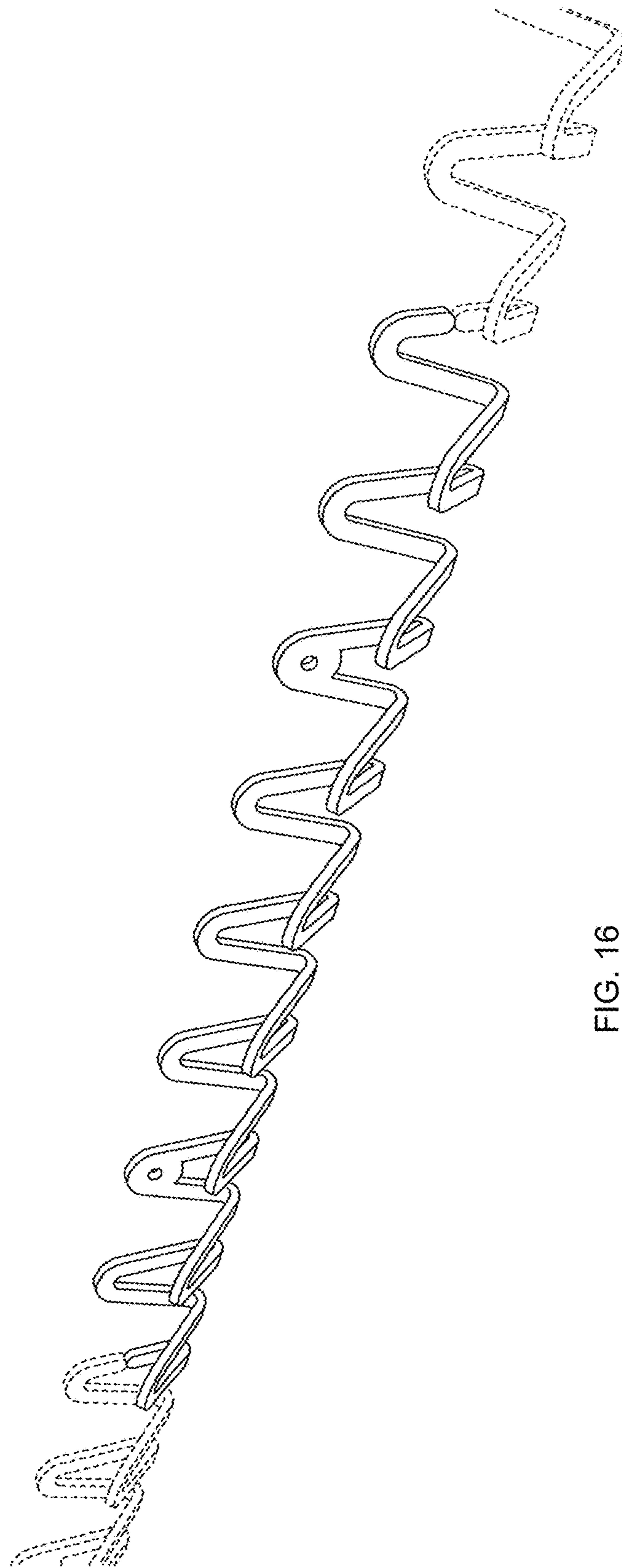


FIG. 16