



US00D814209S

(12) **United States Design Patent** (10) **Patent No.:** **US D814,209 S**
Wilson et al. (45) **Date of Patent:** **** Apr. 3, 2018**

(54) **OVER-THE-CABINET BAG HOLDER**

A47B 63/00; A47B 67/00; A47B 81/04;
A47B 96/021; A47B 96/065

(71) Applicant: **Spectrum Diversified Designs, LLC**,
Streetsboro, OH (US)

See application file for complete search history.

(72) Inventors: **Courtney Wilson**, Chardon, OH (US);
Aaron D. Goodman, Beachwood, OH
(US)

(56) **References Cited**

U.S. PATENT DOCUMENTS

(73) Assignee: **Spectrum Diversified Designs**,
Streetsboro, OH (US)

D438,042	S	*	2/2001	Hofman	D3/306
D449,481	S	*	10/2001	Snell	D6/566
D540,091	S	*	4/2007	Snell	D6/566
D577,237	S	*	9/2008	Goodman	D6/566
D579,700	S	*	11/2008	Ghiorghie	D6/513
D579,701	S	*	11/2008	Snell	D6/513
D588,815	S	*	3/2009	Ghiorghie	D3/304
D690,108	S	*	9/2013	Goodman	D3/306
D718,054	S	*	11/2014	Goodman	D3/306
D725,405	S	*	3/2015	Tsai	D6/513
D728,255	S	*	5/2015	Guindi	D6/513
D756,680	S	*	5/2016	Guindi	D6/515
D770,801	S	*	11/2016	Goodman	D6/549

(**) Term: **15 Years**

* cited by examiner

(21) Appl. No.: **29/596,753**

Primary Examiner — David G Muller

(22) Filed: **Mar. 10, 2017**

Assistant Examiner — Nathan Johnston

(51) **LOC (11) Cl.** **03-01**

(74) *Attorney, Agent, or Firm* — Renner, Otto, Boisselle
and Sklar, LLP

(52) **U.S. Cl.**

USPC **D6/515**; D6/553

(58) **Field of Classification Search**

USPC D6/553, 546–550, 512–525; 211/13.1,
211/16, 85.5, 86.01, 87.01, 88.04, 100,
211/105.1, 105.2, 106, 113, 123, 181.1,
211/182–183; 248/49, 175, 176.1, 200,
248/201, 205.1, 251, 302, 309.1, 315;
108/28–29; 242/570, 590, 595–598;
D8/300, 315–321, 354, 363, 373, 380;
D25/45; D26/51; D3/304, 306

(57) **CLAIM**

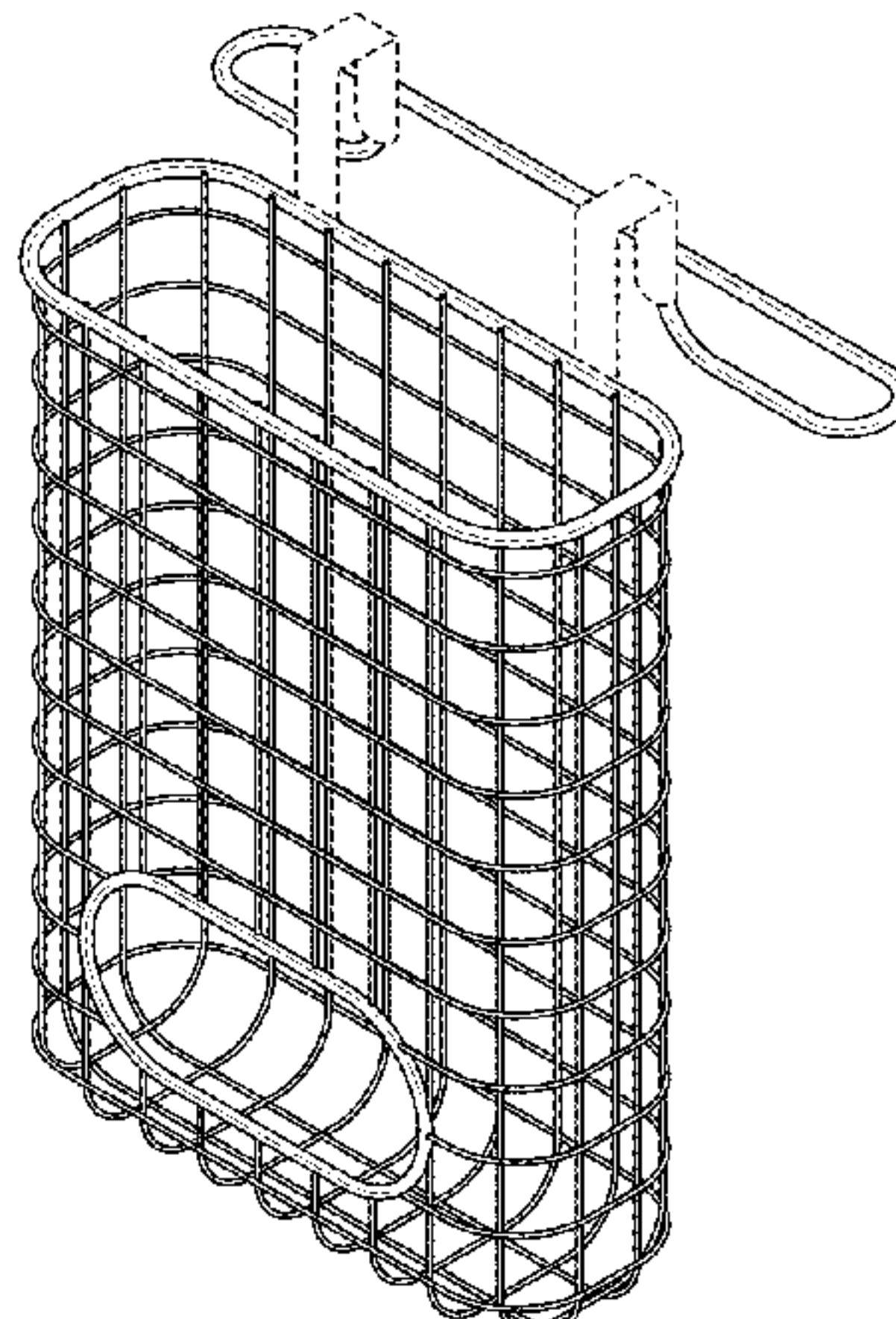
The ornamental design for an over-the-cabinet bag holder, as shown and described.

CPC .. A47F 5/01; A47F 7/00; A47F 7/0028; A47F
5/0006; A47F 5/0823; A47F 1/082; A47F
1/121; A47F 5/02; A47F 5/0846; A47F
5/137; A47F 7/0064; A47F 7/065; A47F
3/0404; A47F 5/0018; A47F 5/0025;
A47F 5/0037; A47B 55/02; A47B 81/00;
A47B 81/007; A47B 13/14; A47B
2097/003; A47B 2220/0008; A47B 45/00;
A47B 49/00; A47B 57/00; A47B 57/04;

DESCRIPTION

FIG. 1 is a top, front, right perspective view of an over-the-cabinet bag holder showing our new design;
FIG. 2 is a front elevation view thereof;
FIG. 3 is a rear elevation view thereof;
FIG. 4 is a left side elevation view thereof;
FIG. 5 is a right side elevation view thereof;
FIG. 6 is a top plan view thereof; and,
FIG. 7 is a bottom plan view thereof.

(Continued)



The broken line showing represents unclaimed portions of the over-the-cabinet bag holder and forms no part of the claimed design.

1 Claim, 4 Drawing Sheets

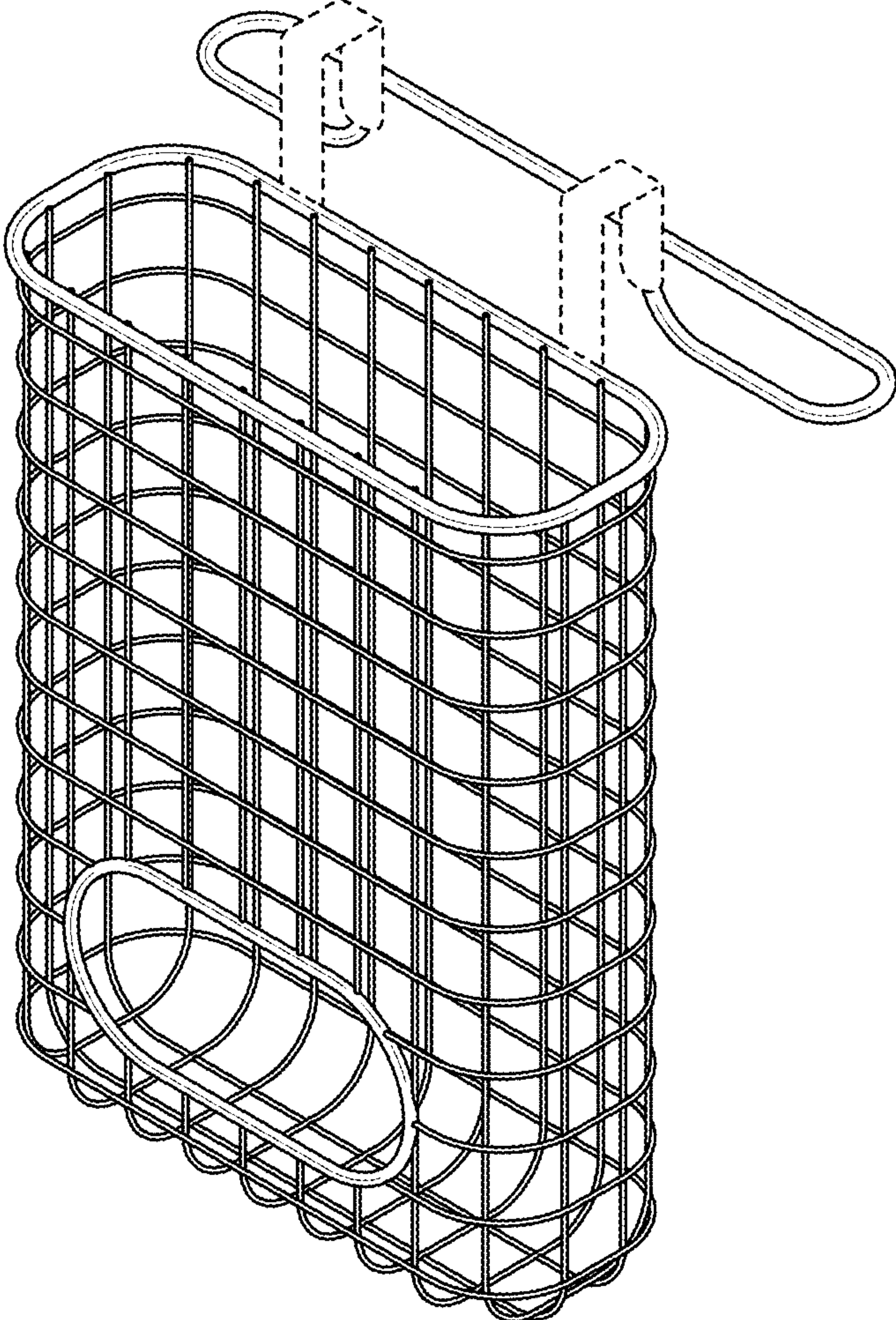


FIG. 1

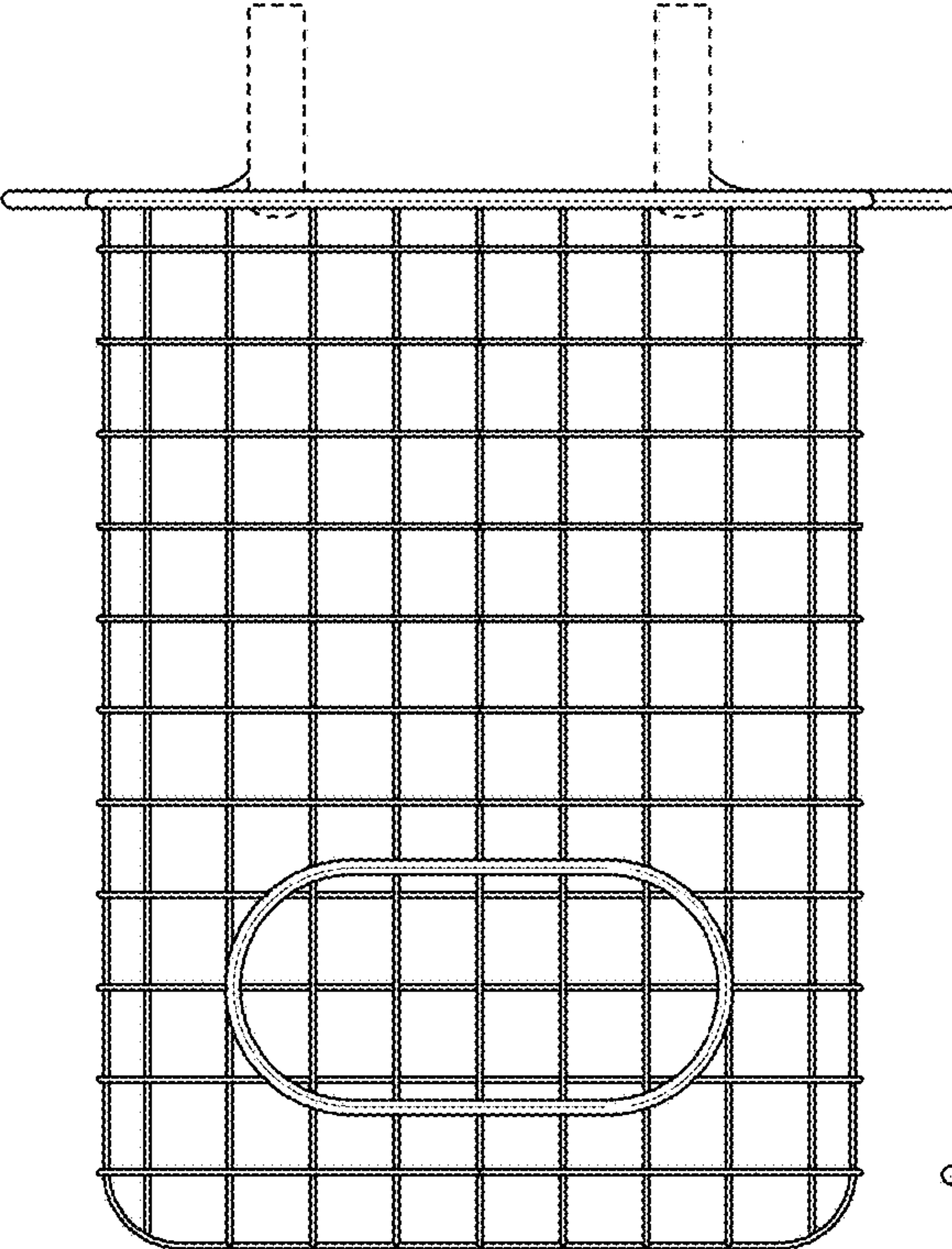


FIG. 2

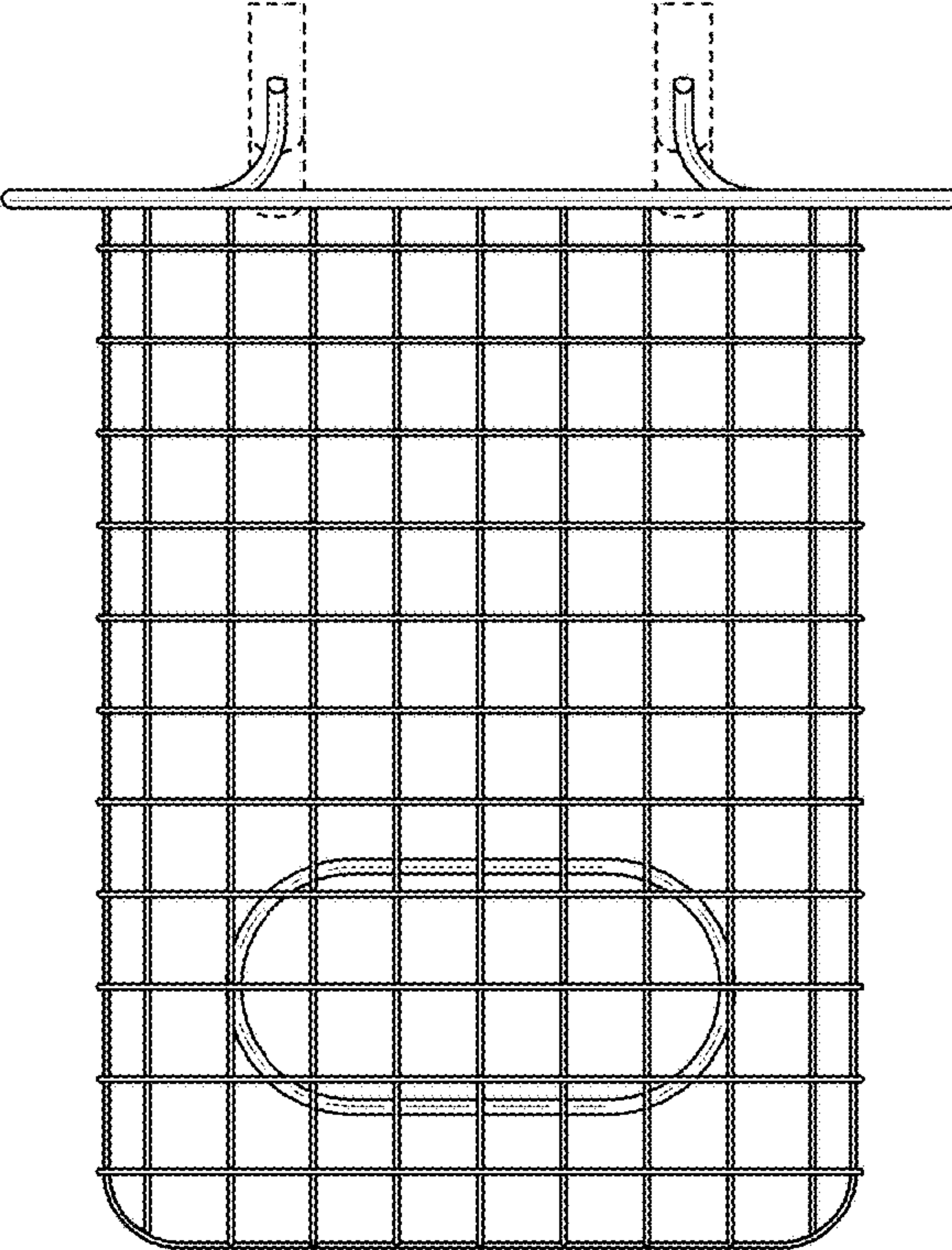


FIG. 3

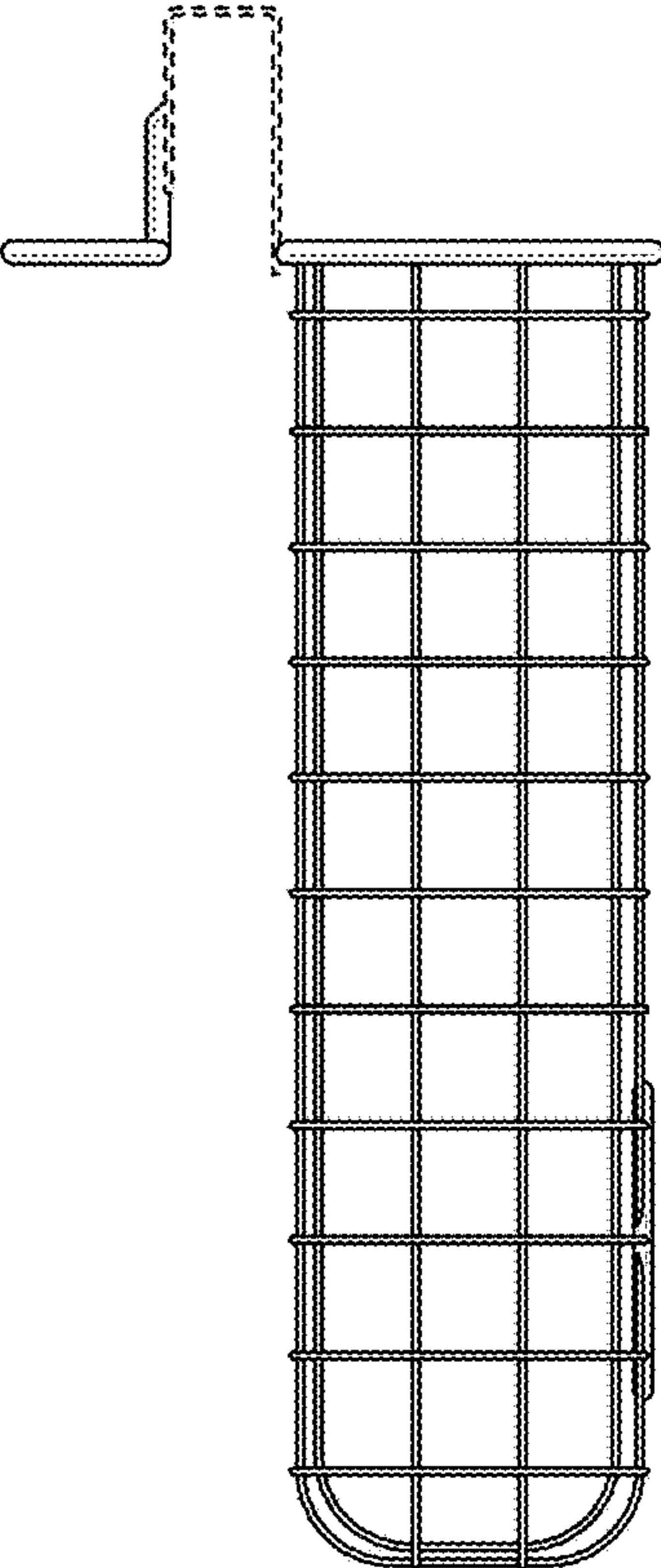


FIG. 4

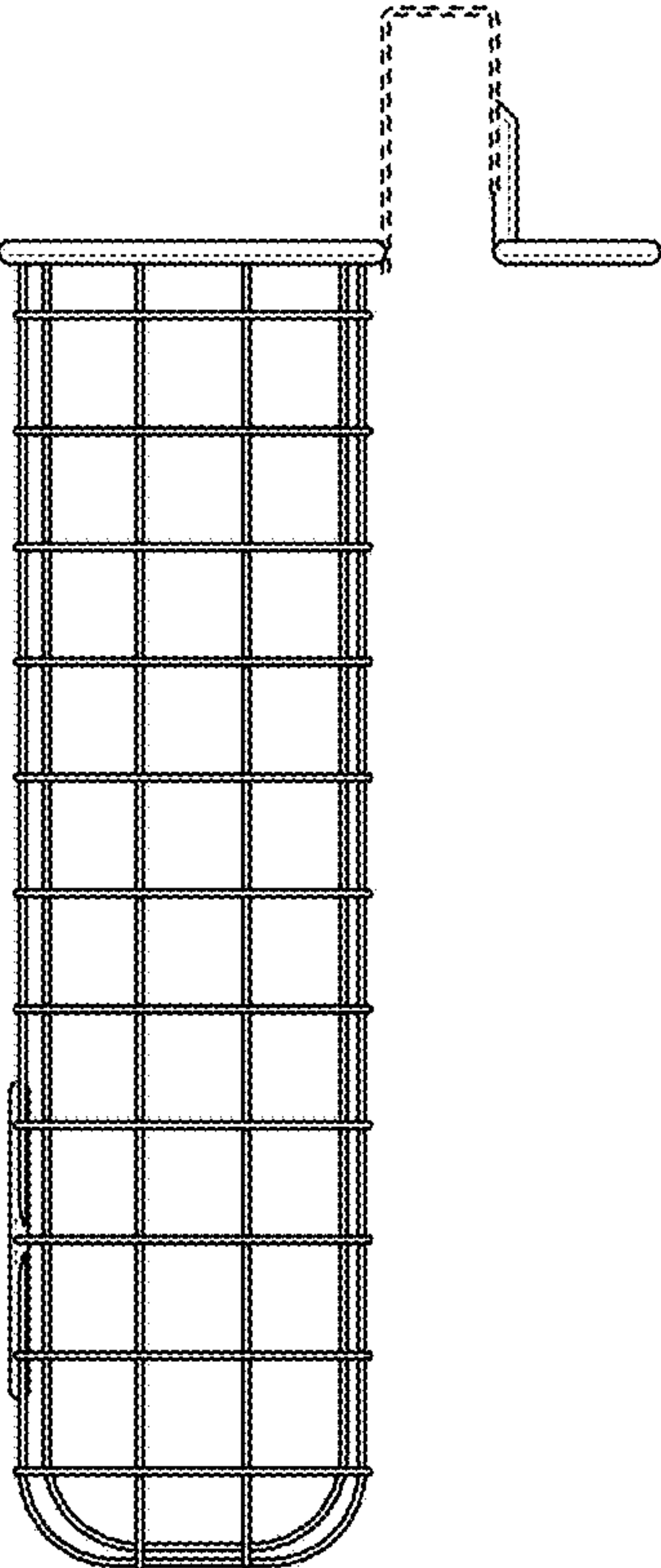


FIG. 5

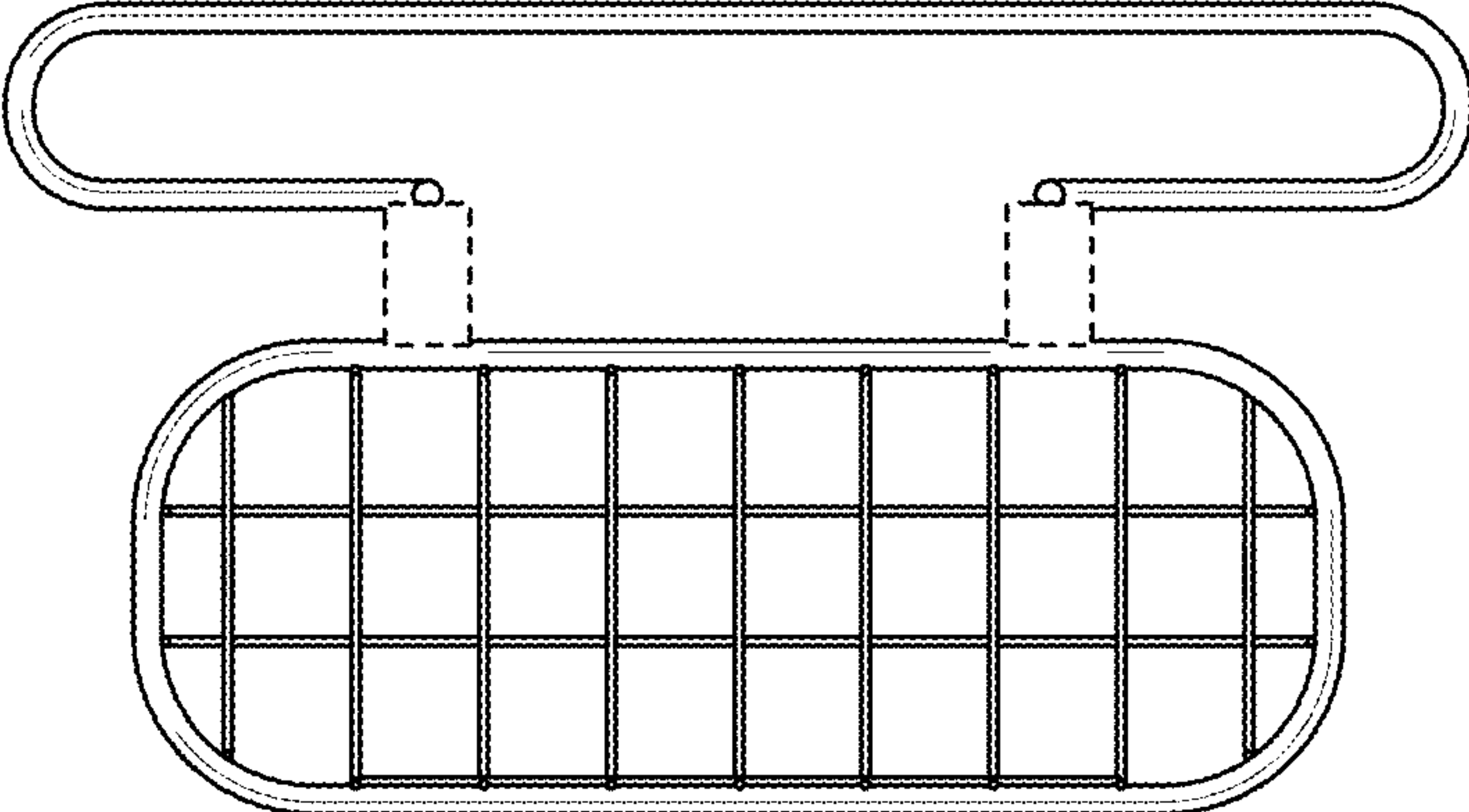


FIG. 6

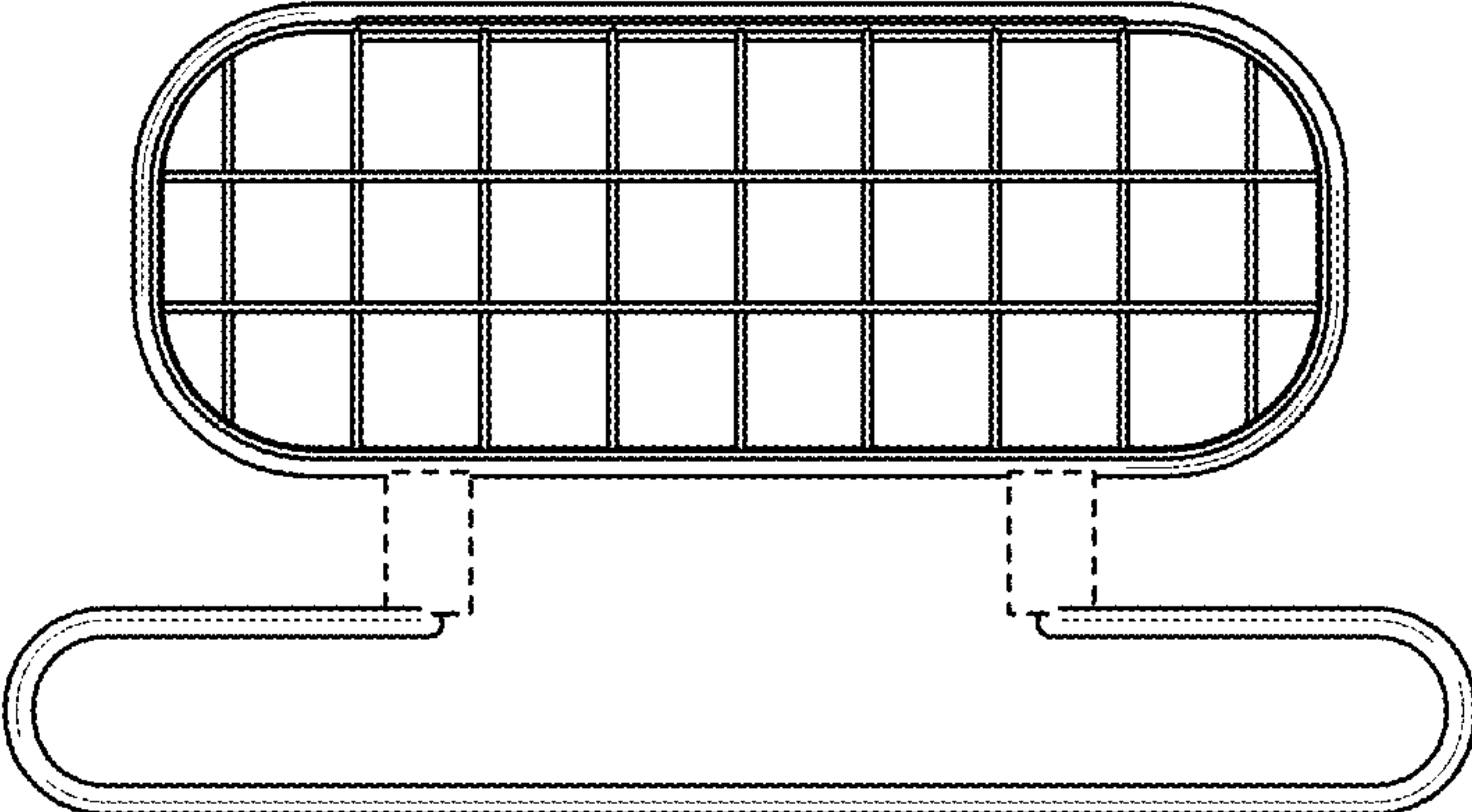


FIG. 7