

US00D814208S

(12) **United States Design Patent**  
**Mann**

(10) **Patent No.:** **US D814,208 S**

(45) **Date of Patent:** **\*\* Apr. 3, 2018**

(54) **DISPENSER STAND**

(71) Applicant: **GOJO Industries, Inc.**, Akron, OH  
(US)

(72) Inventor: **Christopher Mann**, Hudson, OH (US)

(73) Assignee: **GOJO Industries, Inc.**, Akron, OH  
(US)

(\*\*) Term: **15 Years**

(21) Appl. No.: **29/590,239**

(22) Filed: **Jan. 9, 2017**

(51) **LOC (11) Cl.** ..... **23-02**

(52) **U.S. Cl.**  
USPC ..... **D6/515**

(58) **Field of Classification Search**  
USPC ..... D6/545, 329, 515-522, 523, 535, 542,  
D6/543, 396, 673; D7/300, 306, 313,  
D7/397; D8/71; D9/733; D20/1;  
D23/208; 221/26, 33, 282-286;  
222/108, 164, 173, 180; 248/309.1,  
248/309.2, 905  
CPC ..... A47K 5/00; A47K 5/18; B67D 3/0029;  
B67D 3/00; B67D 3/0035; B65D 35/56;  
B65D 51/249

See application file for complete search history.

(56) **References Cited**

**U.S. PATENT DOCUMENTS**

D352,867 S 11/1994 Morris  
D359,546 S 6/1995 Savage

D604,974 S \* 12/2009 Morrison ..... D6/515  
D671,346 S 11/2012 Zlatic  
D686,839 S \* 7/2013 Markwick ..... D6/673  
D734,086 S \* 7/2015 Tseng ..... D7/306  
D735,487 S 8/2015 Marino  
D796,868 S 9/2017 Johnson

\* cited by examiner

*Primary Examiner* — Wan Laymon

*Assistant Examiner* — Mark Booker

(74) *Attorney, Agent, or Firm* — Calfee, Halter &  
Griswold LLP

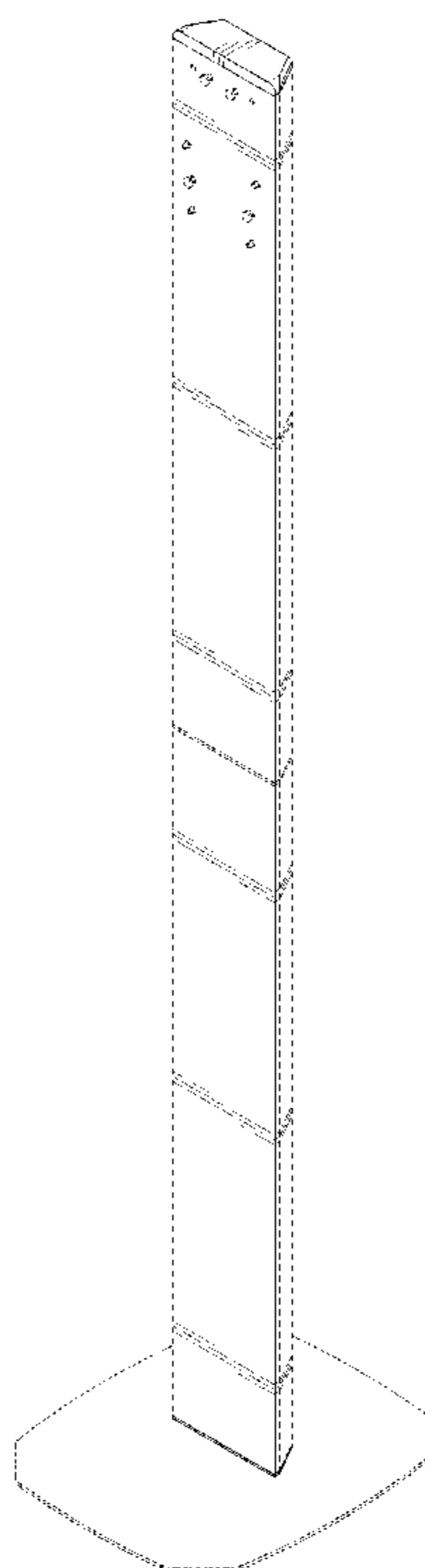
(57) **CLAIM**

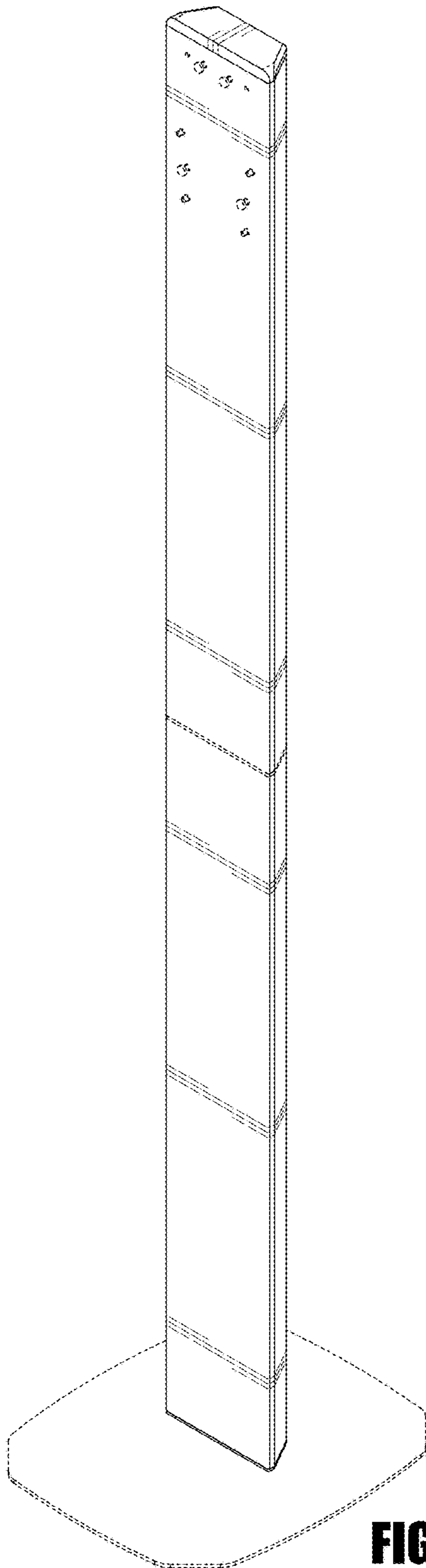
The ornamental design for a dispenser stand, as shown and described.

**DESCRIPTION**

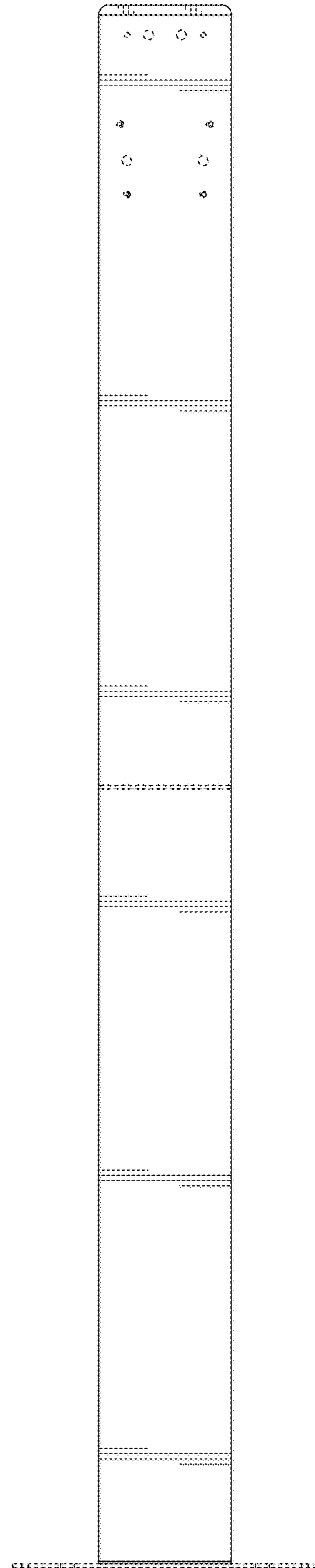
FIG. 1 is a perspective view of a dispenser stand of the new design;  
FIG. 2 is a front elevational view of the dispenser stand of FIG. 1;  
FIG. 3 is a right side elevational view of the dispenser stand of FIG. 1; and,  
FIG. 4 is a top plan view of the dispenser stand of FIG. 1.  
The portions of the Figures shown in broken lines are not part of the claimed design and are for illustration only.

**1 Claim, 2 Drawing Sheets**

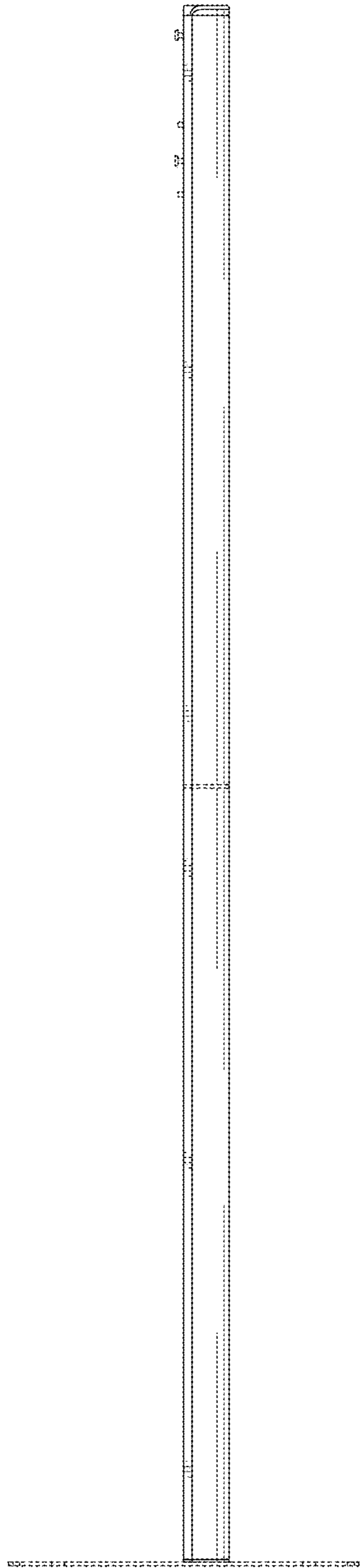




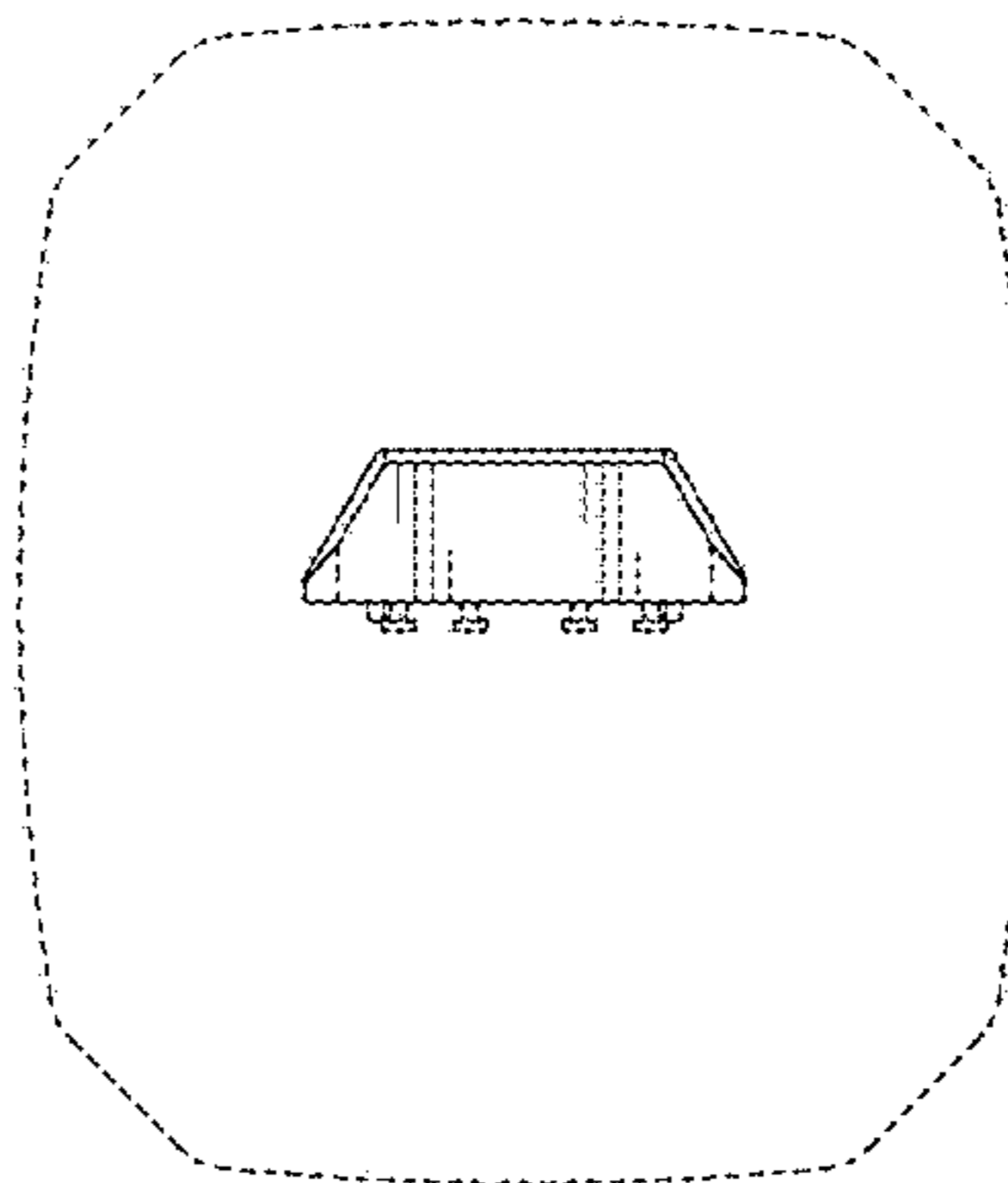
**FIG. 1**



**FIG. 2**



**FIG. 3**



**FIG. 4**