



US00D814204S

(12) **United States Design Patent**  
**Bova**

(10) **Patent No.:** **US D814,204 S**  
(45) **Date of Patent:** **\*\* Apr. 3, 2018**

(54) **SWIVEL BEACH/LOUNGE CHAIR**

6,315,360 B1	11/2001	Guerrini	
6,655,737 B2 *	12/2003	Hyduk	A47C 5/06 297/228.12
7,540,567 B1	6/2009	Gambino	
7,703,854 B2 *	4/2010	LaFreniere	A47C 7/546 297/31
7,717,514 B2	5/2010	Redmann	
7,832,804 B2 *	11/2010	LaFreniere	A47C 7/546 297/31
8,544,809 B1	10/2013	Laurita	

(Continued)

(71) Applicant: **Andrea Bova**, Everett, MA (US)

(72) Inventor: **Andrea Bova**, Everett, MA (US)

(\*\*) Term: **15 Years**

(21) Appl. No.: **29/579,699**

(22) Filed: **Oct. 3, 2016**

(51) **LOC (11) Cl.** ..... **06-01**

(52) **U.S. Cl.**  
USPC ..... **D6/361**

(58) **Field of Classification Search**  
USPC ..... D6/334-336, 361, 367, 368, 370, 375,  
D6/716, 716.1, 716.2, 716.4  
CPC .. A47C 1/14; A47C 1/143; A47C 4/28; A47C  
4/283; A47C 4/30; A47C 4/42; A47C  
7/44; A47C 5/06; A47C 5/10; A47C 7/50;  
A47C 7/54; A47C 7/546

See application file for complete search history.

(56) **References Cited**

**U.S. PATENT DOCUMENTS**

2,600,374 A *	6/1952	O'Neill	A47C 1/143 29/428
2,765,525 A *	10/1956	O'Neill	A47C 1/143 228/170
4,441,756 A *	4/1984	Liou	A47C 5/10 297/35
4,544,202 A	10/1985	Keaton	
4,842,335 A	6/1989	Wunderlich	
D305,081 S *	12/1989	Grosfillex	D6/361
D335,585 S *	5/1993	Grosfillex	D6/361
5,295,650 A	3/1994	Brandt	
5,944,384 A	8/1999	Patterson	
6,048,029 A	1/2000	Percoco	
6,158,069 A *	12/2000	Boothe	A47C 7/54 5/623

**FOREIGN PATENT DOCUMENTS**

CN	205093920	3/2016
WO	9118538	12/1991
WO	2008022364	2/2008

*Primary Examiner* — Mimoso De

(74) *Attorney, Agent, or Firm* — Gary E. Lambert; David J. Connaughton, Jr.; Lambert & Associates

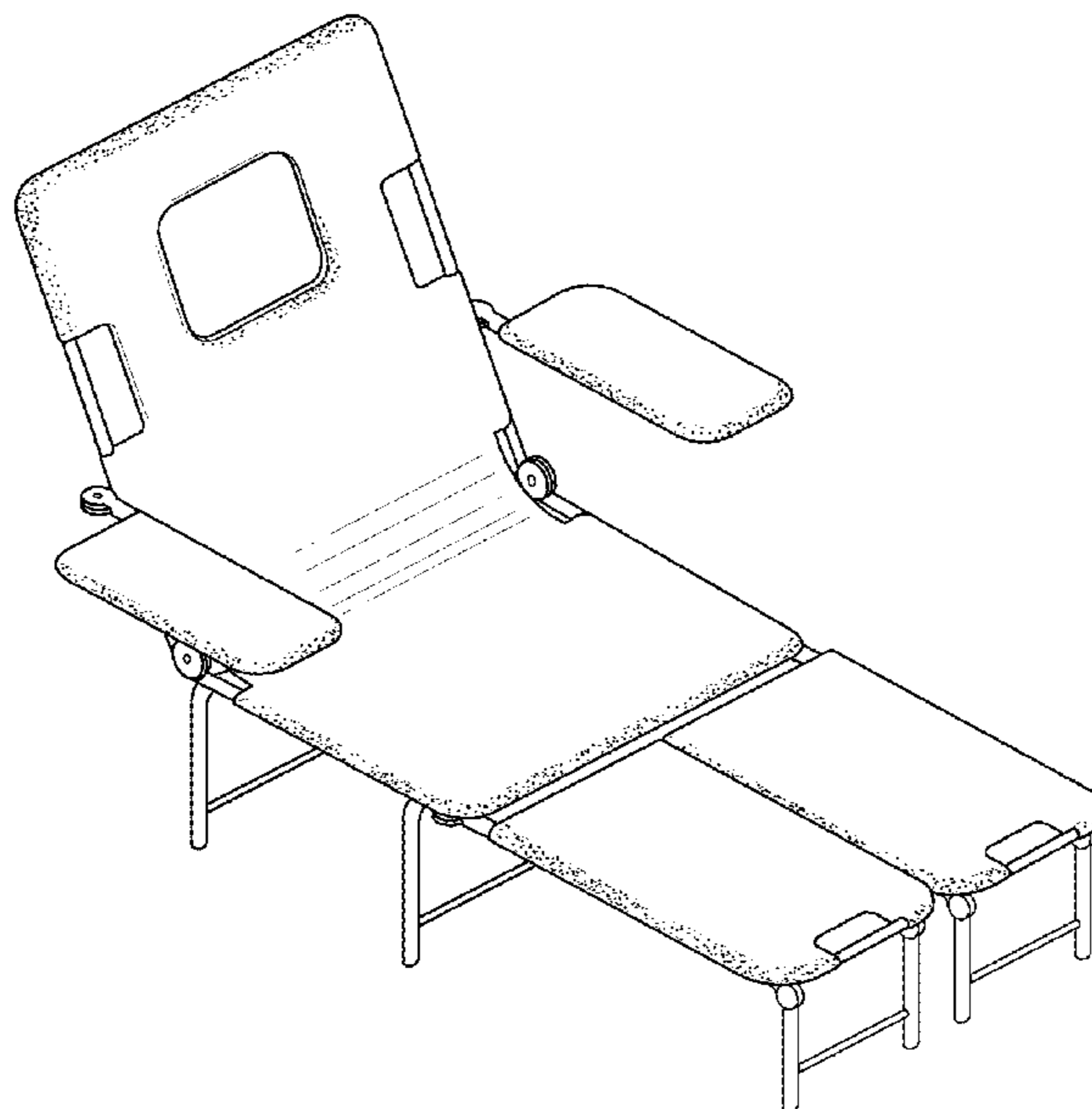
(57) **CLAIM**

The ornamental design for a swivel beach/lounge chair, as shown and described.

**DESCRIPTION**

FIG. 1 is an isometric view of the swivel beach/lounge chair, which embodies my design;  
FIG. 2 is a left side view of the swivel beach/lounge chair;  
FIG. 3 is a right side view of the swivel beach/lounge chair;  
FIG. 4 is a front side view of the swivel beach/lounge chair;  
FIG. 5 is a back side view of the swivel beach/lounge chair;  
FIG. 6 is a top plan view of the swivel beach/lounge chair;  
FIG. 7 is a bottom plan view of the swivel beach/lounge chair; and,  
FIG. 8 is a top plan view of the swivel beach/lounge chair.

**1 Claim, 5 Drawing Sheets**



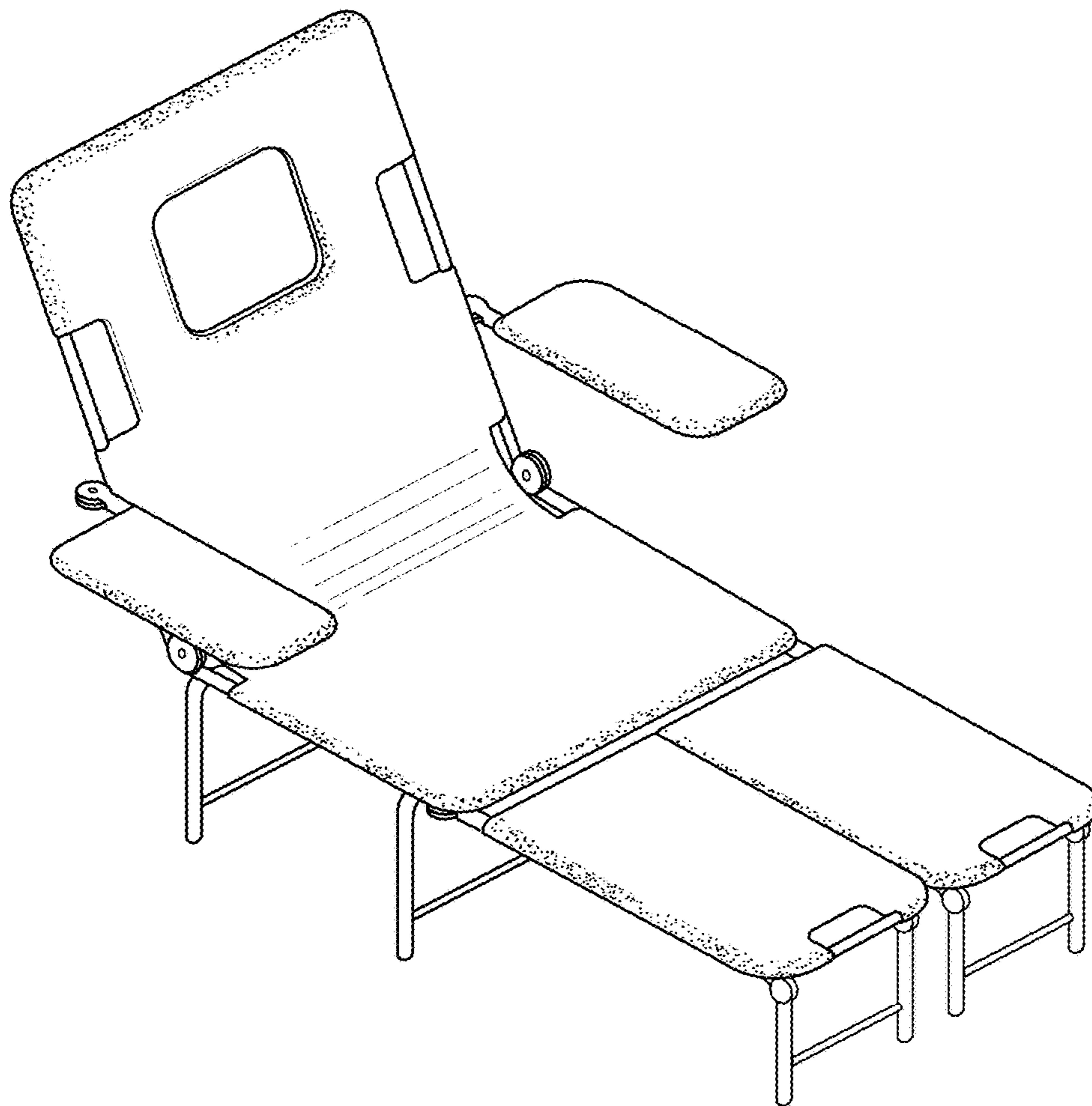
(56)

**References Cited**

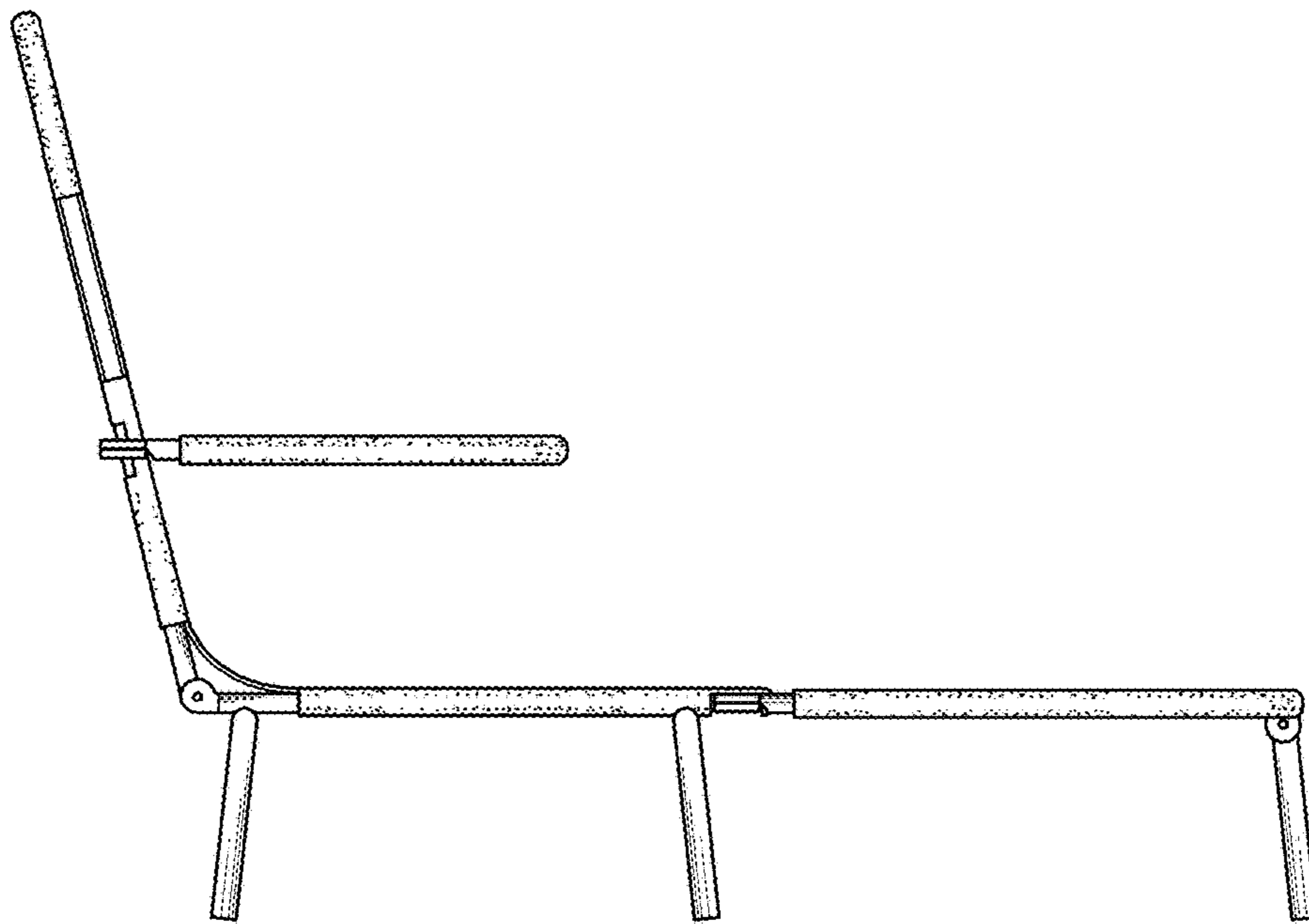
U.S. PATENT DOCUMENTS

9,681,764 B1 \* 6/2017 Boynton ..... A47C 7/54  
2002/0117878 A1 8/2002 Fox  
2008/0030058 A1 2/2008 Youngblood  
2015/0091352 A1 4/2015 Lee

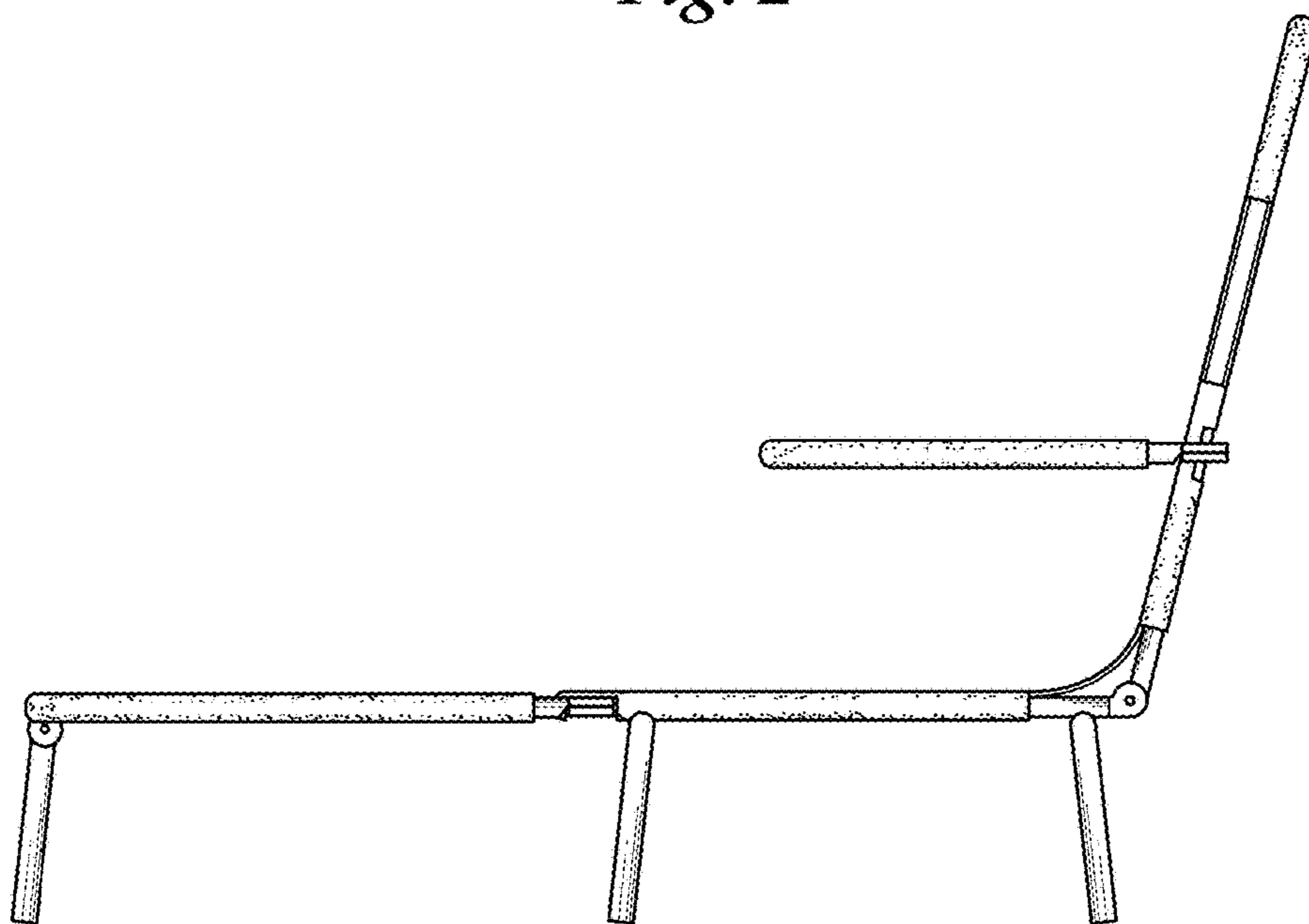
\* cited by examiner



*Fig. 1*



*Fig. 2*



*Fig. 3*

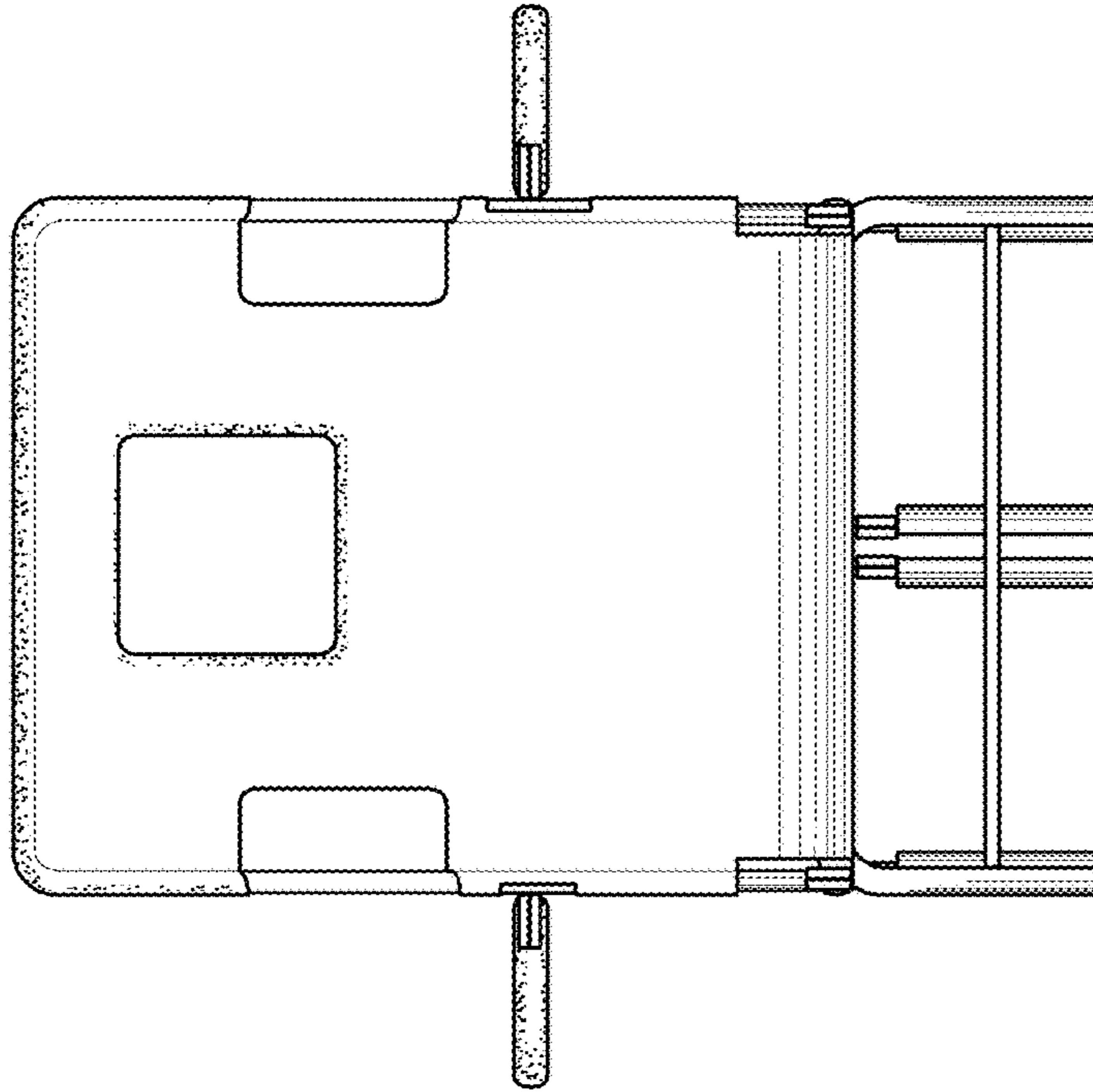


Fig. 5

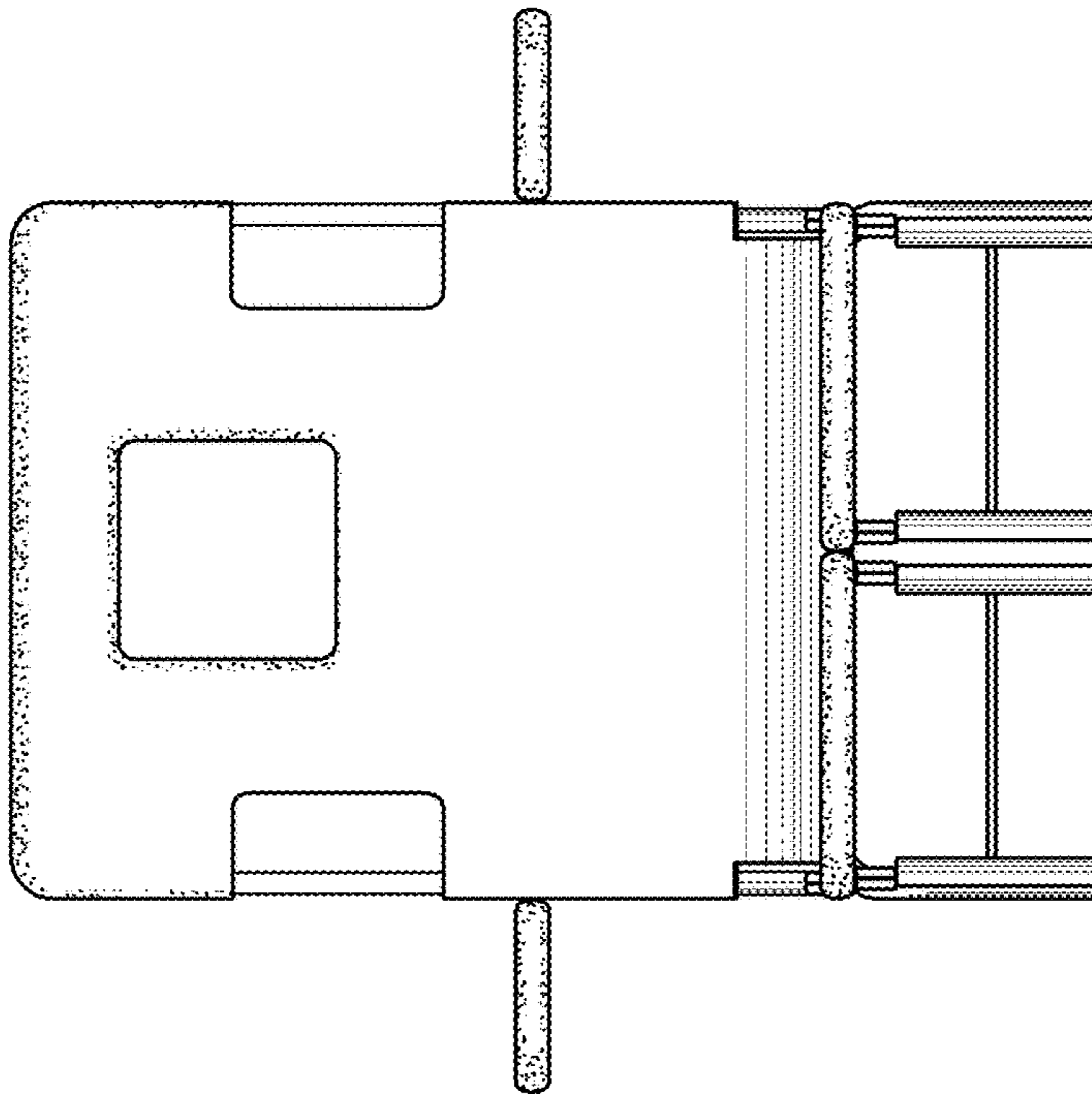
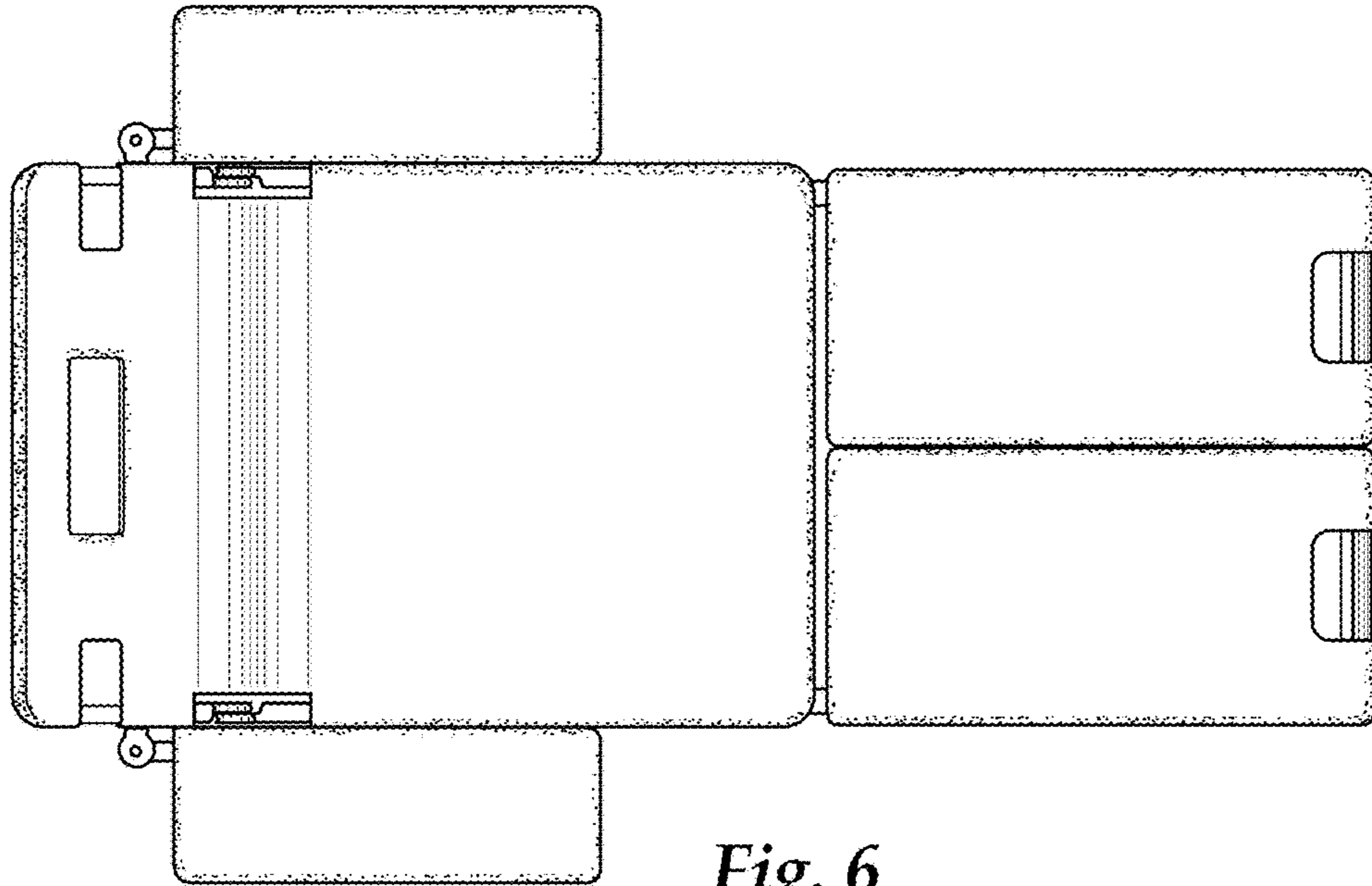
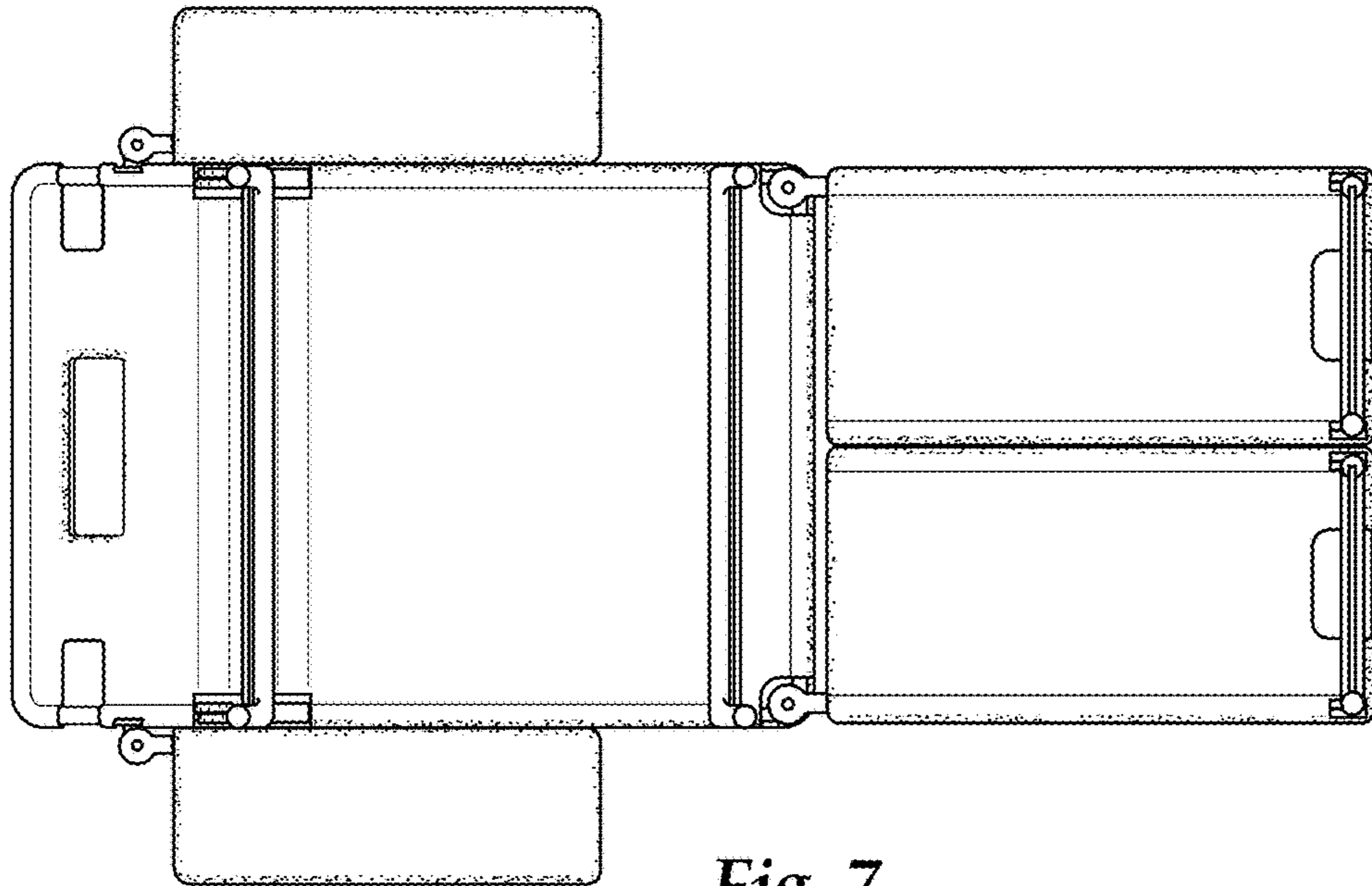


Fig. 4

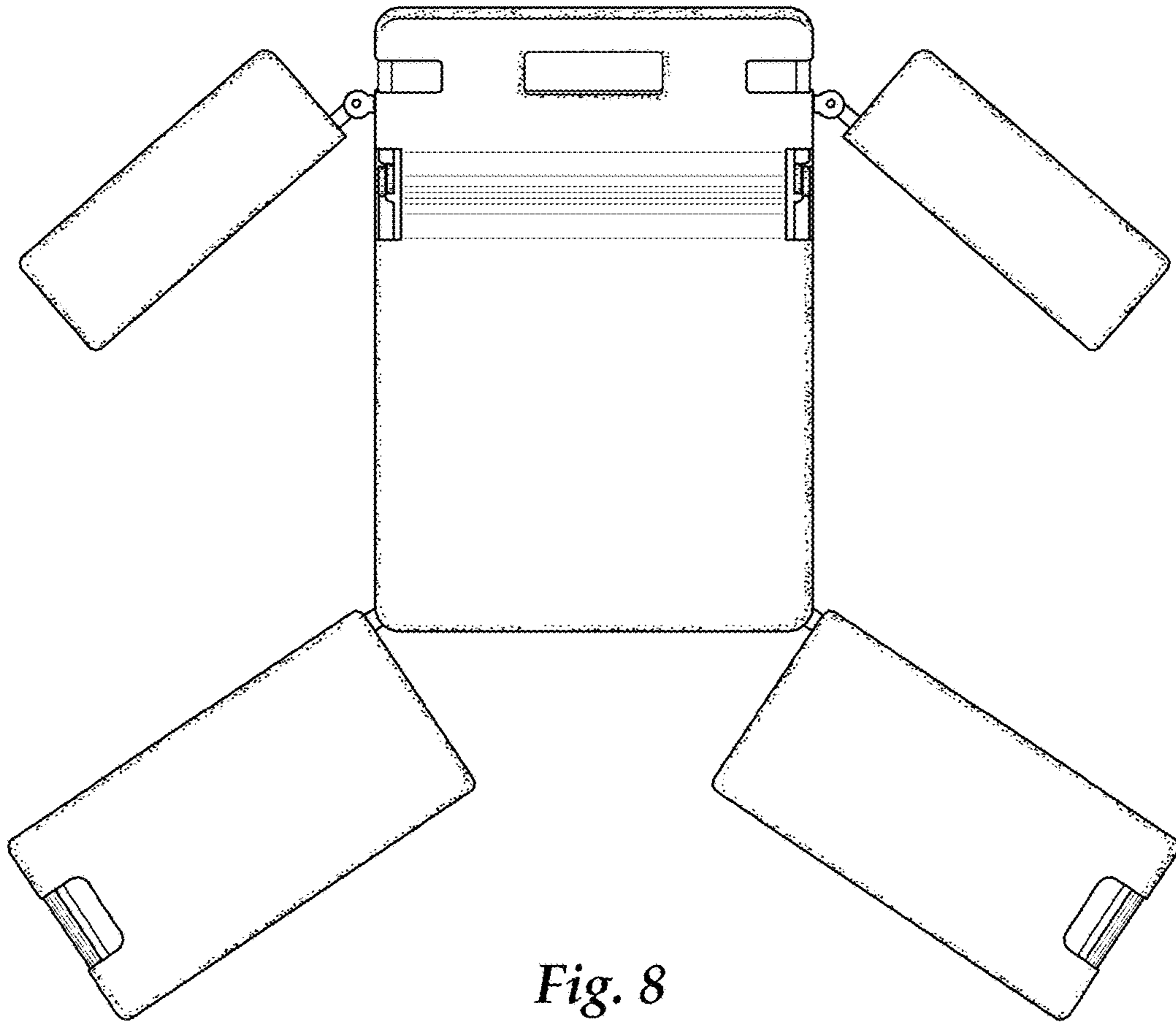




*Fig. 6*



*Fig. 7*



*Fig. 8*