



US00D814203S

(12) **United States Design Patent**
Liu

(10) **Patent No.:** **US D814,203 S**

(45) **Date of Patent:** **** Apr. 3, 2018**

(54) **CHAIR**

(71) Applicant: **Merry Yard International Enterprise Corp.**, New Taipei (TW)

(72) Inventor: **Pao-Yu Liu**, New Taipei (TW)

(73) Assignee: **MERRY YARD INTERNATIONAL ENTERPRISE CORP.**, New Taipei (TW)

(**) Term: **15 Years**

(21) Appl. No.: **29/591,767**

(22) Filed: **Jan. 24, 2017**

(51) **LOC (11) Cl.** **06-01**

(52) **U.S. Cl.**
USPC **D6/360**

(58) **Field of Classification Search**
USPC D6/334-336, 360, 370, 371, 373, 374,
D6/375, 376, 379, 380, 716, 716.1, 716.2,
D6/716.3, 716.4
CPC A47C 4/02; A47C 4/03; A47C 4/08; A47C
4/024; A47C 4/028; A47C 5/12; A47C
7/16; A47C 7/50; A47C 9/007
See application file for complete search history.

(56) **References Cited**

U.S. PATENT DOCUMENTS

D468,918 S * 1/2003 de Blois D6/360
D645,266 S * 9/2011 Aubry D6/375

D645,267 S * 9/2011 Aubry D6/360
D726,433 S * 4/2015 Starck D6/360
D746,074 S * 12/2015 Chipman D6/375
D766,002 S * 9/2016 Wu D6/360
D786,574 S * 5/2017 Galiotto D6/360
D796,220 S * 9/2017 Asner D6/370
D799,227 S * 10/2017 Martinez D6/360
D800,467 S * 10/2017 Galiotto D6/360

* cited by examiner

Primary Examiner — Mimososa De

(74) *Attorney, Agent, or Firm* — Bacon & Thomas, PLLC

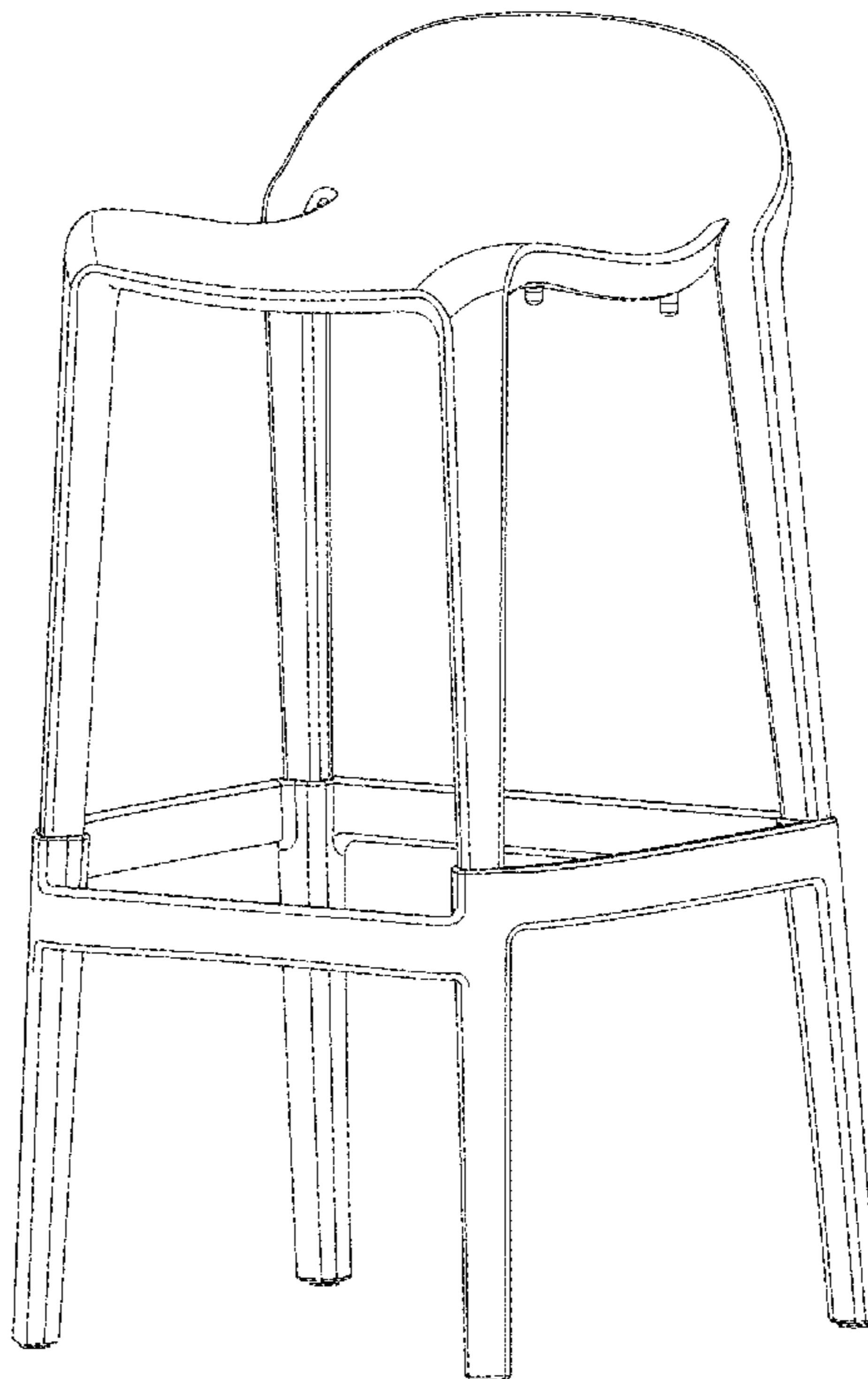
(57) **CLAIM**

The ornamental design for a chair, as shown and described.

DESCRIPTION

FIG. 1 is a perspective view of a chair showing our new design;
FIG. 2 is a front elevational view thereof;
FIG. 3 is a rear elevational view thereof;
FIG. 4 is a left side elevational view thereof;
FIG. 5 is a right side elevational view thereof;
FIG. 6 is a top plan view thereof; and,
FIG. 7 is a bottom plan view thereof.

1 Claim, 7 Drawing Sheets



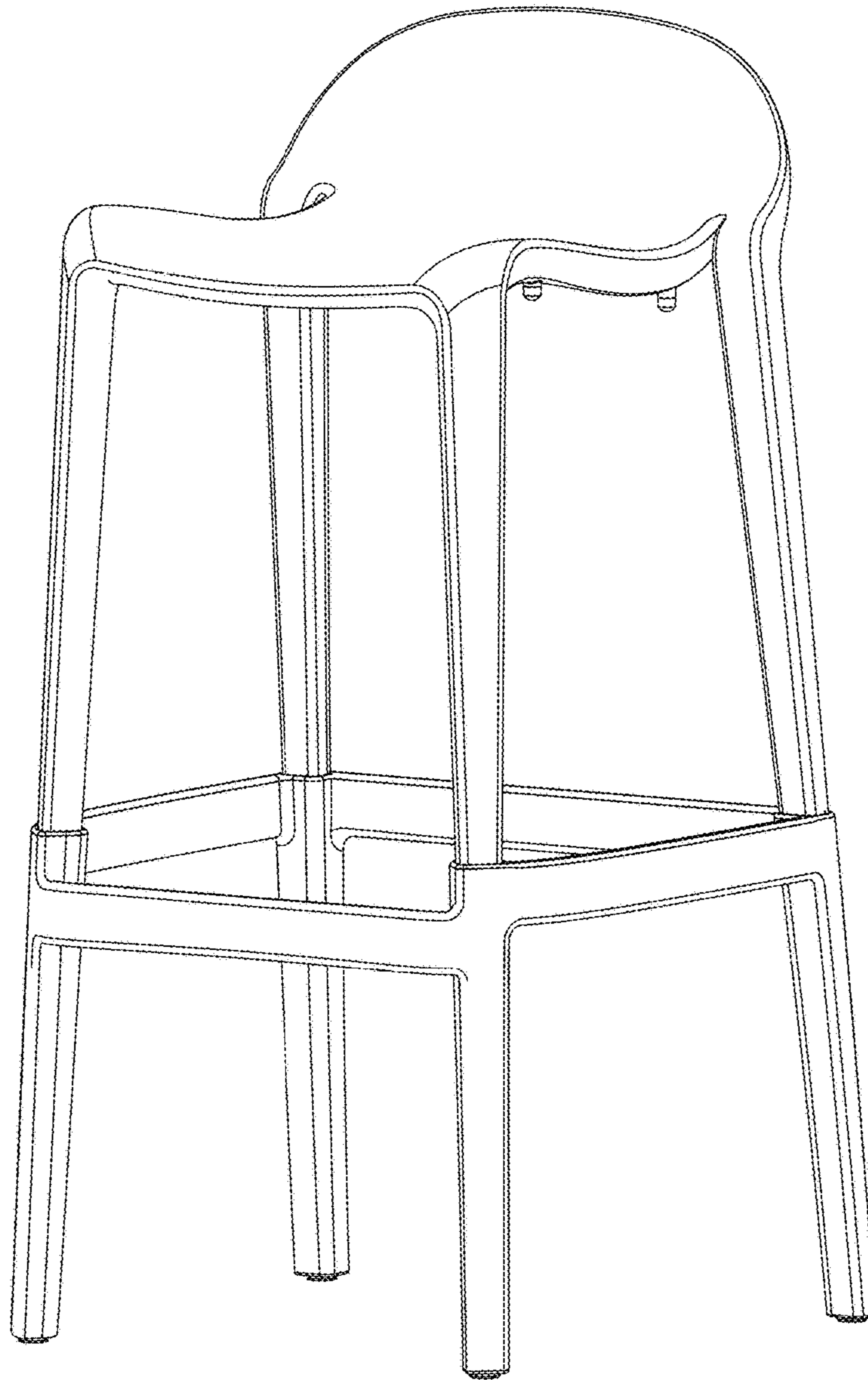


Fig. 1

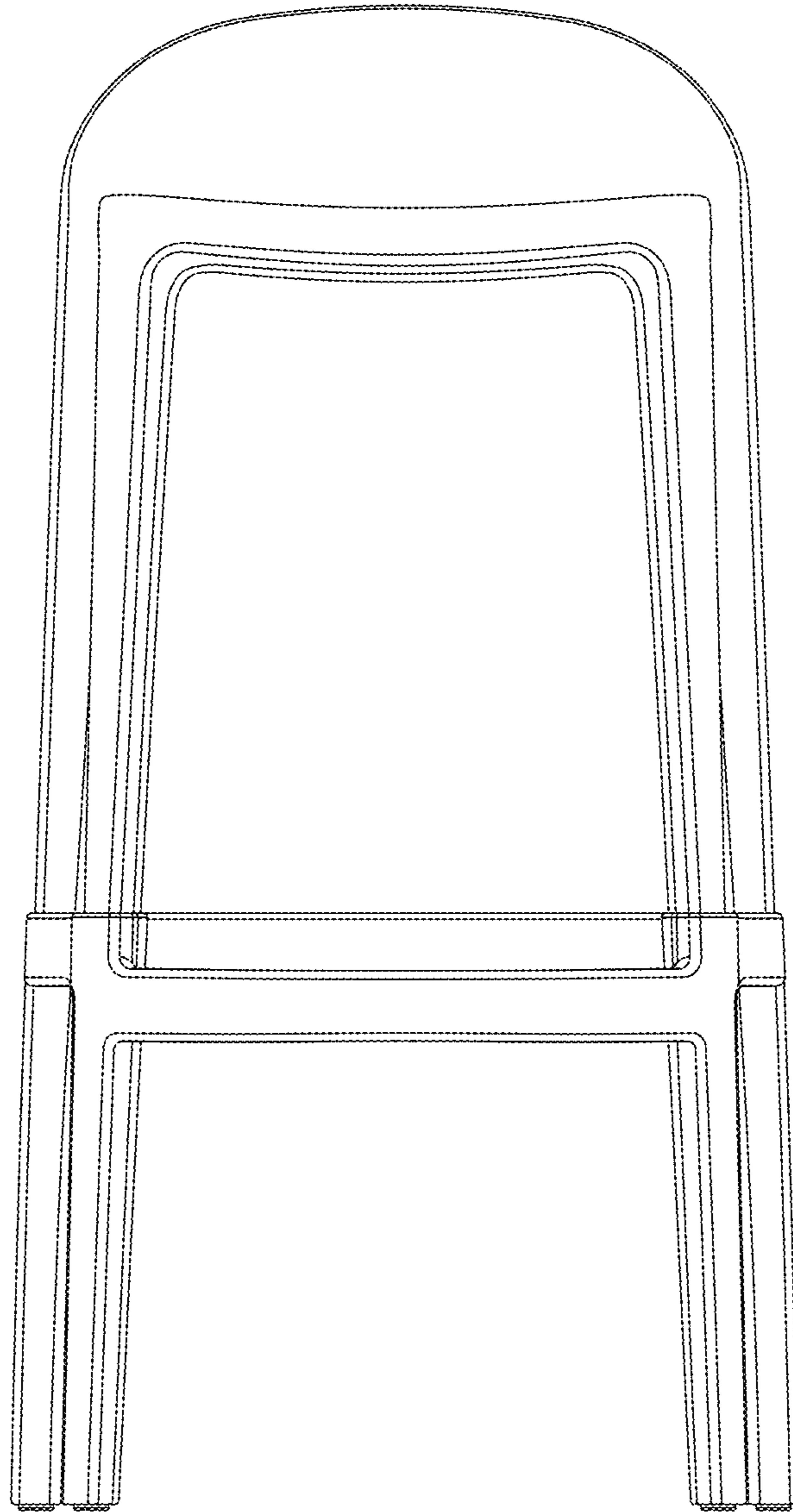


Fig. 2

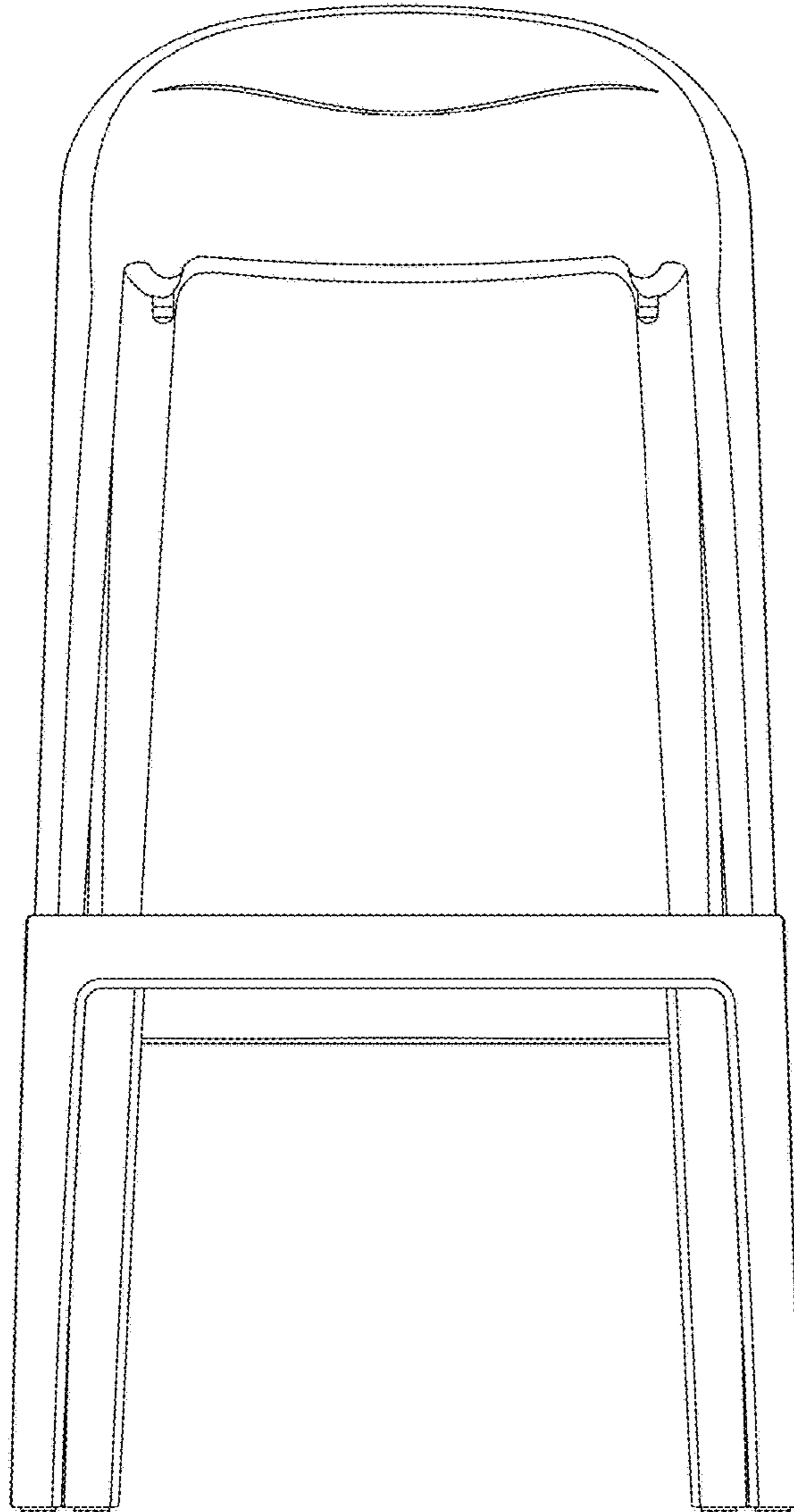


Fig. 3

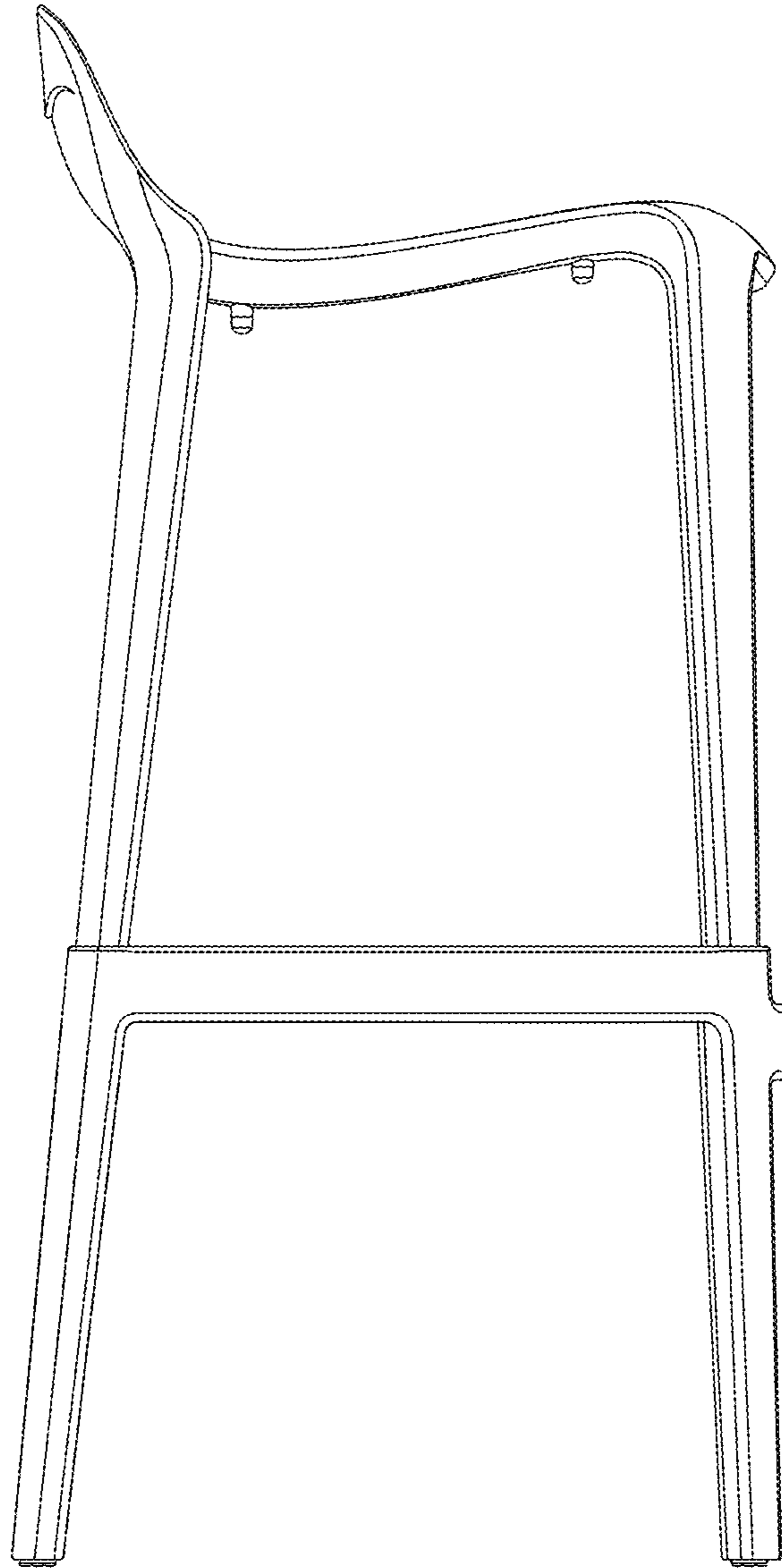


Fig. 4

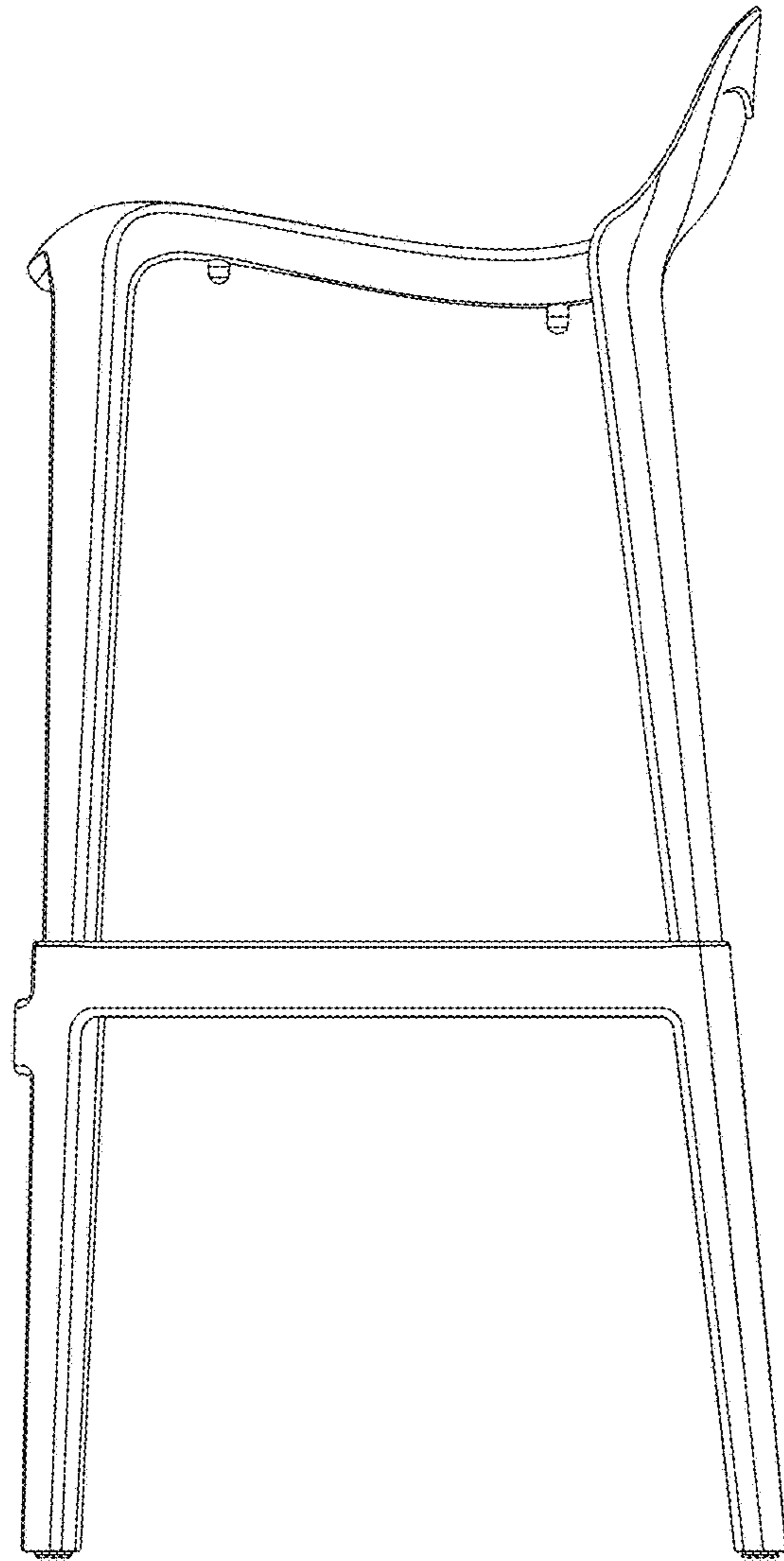


Fig. 5

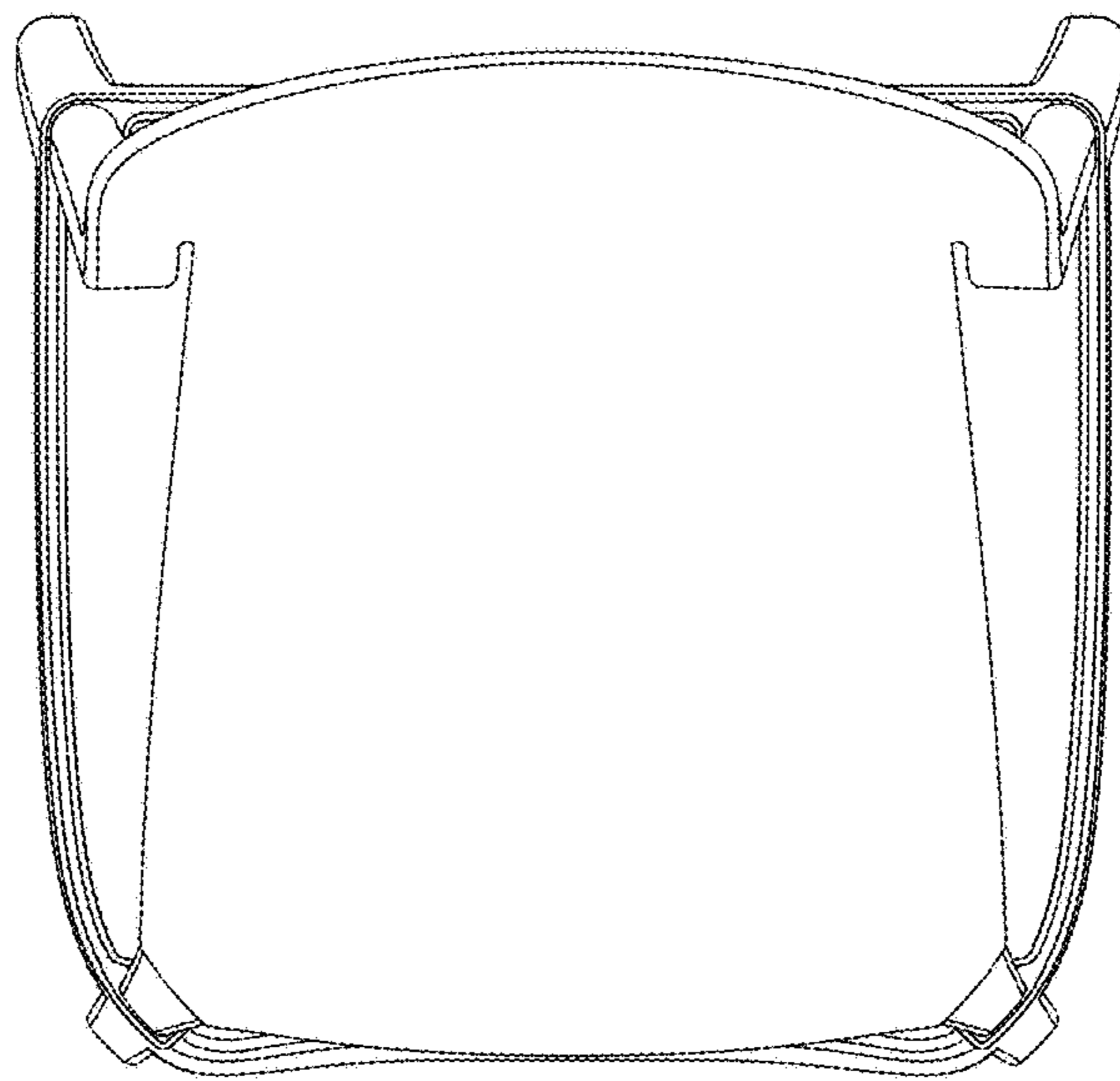


Fig. 6

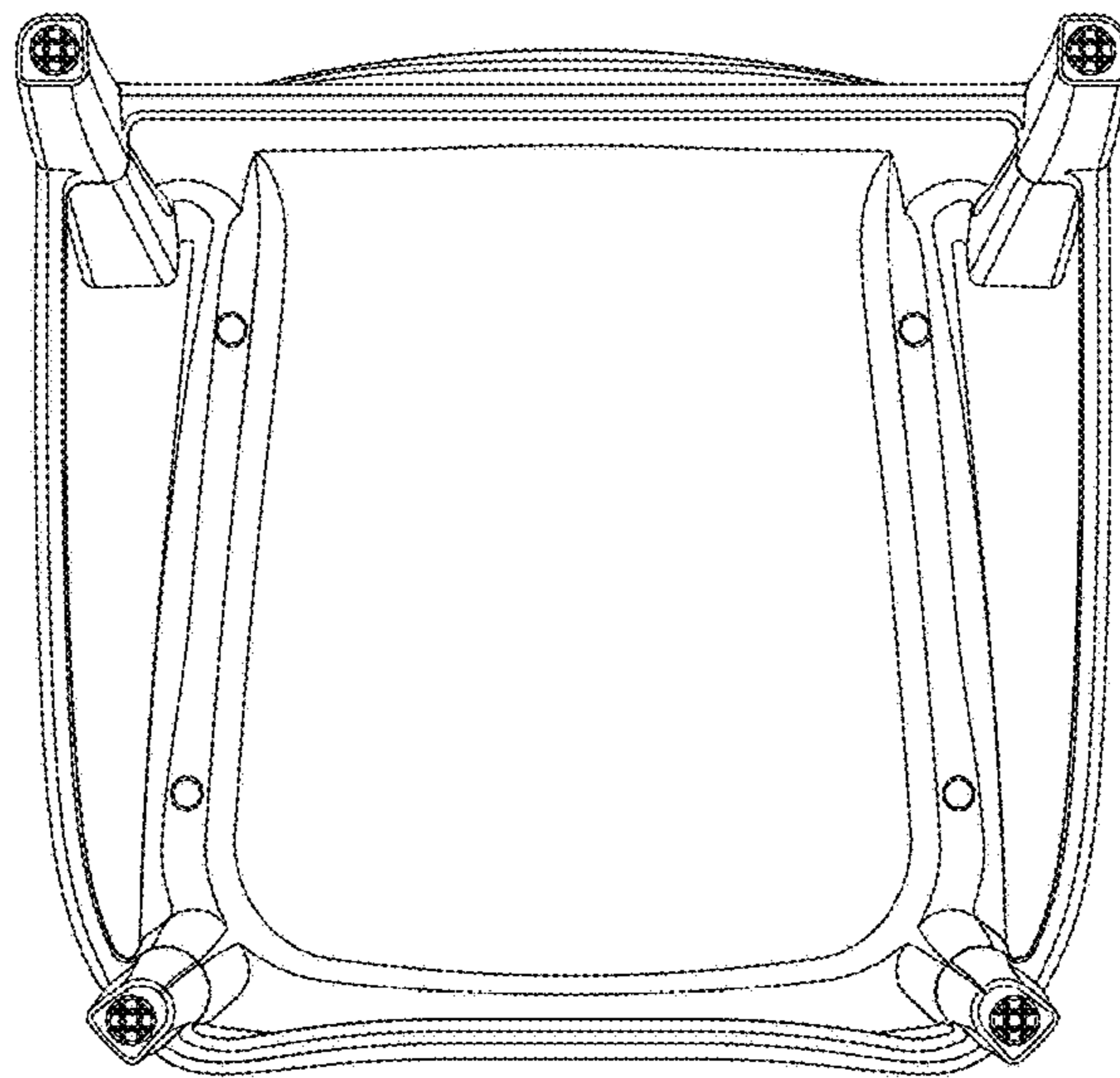


Fig. 7