



US00D814201S

(12) **United States Design Patent**
Cantrell

(10) **Patent No.:** **US D814,201 S**
(45) **Date of Patent:** **** Apr. 3, 2018**

- (54) **FURNITURE WITH STITCHING**
- (71) Applicant: **Home Meridian International**, High Point, NC (US)
- (72) Inventor: **Shawn Cantrell**, High Point, NC (US)
- (73) Assignee: **Hooker Furniture Corporation**, Martinsville, VA (US)
- (**) Term: **15 Years**

D485,695 S *	1/2004	Mascheroni	D6/381
D509,074 S *	9/2005	Westendorf	D6/334
D626,349 S *	11/2010	Bashir	D6/356
D644,047 S *	8/2011	Fujii	D6/356
D644,461 S *	9/2011	Fujii	D6/356
D644,462 S *	9/2011	Fujii	D6/356
D644,463 S *	9/2011	Fujii	D6/356
D644,464 S *	9/2011	Fujii	D6/356
D644,465 S *	9/2011	Fujii	D6/356
D655,526 S *	3/2012	Yeung Ka Fei	D6/371
D691,826 S *	10/2013	Banda	D6/381
D737,586 S *	9/2015	Taguchi	D6/356
D740,596 S *	10/2015	Toh	D6/716

- (21) Appl. No.: **29/555,754**
- (22) Filed: **Feb. 24, 2016**
- (51) **LOC (11) Cl.** **06-01**
- (52) **U.S. Cl.**
USPC **D6/334; D6/716.2**
- (58) **Field of Classification Search**
USPC D6/334, 335, 336, 360, 361, 367, 368,
D6/371-375, 379-381, 716, 716.1-716.8
CPC A47C 7/00; A47C 7/62; A47C 7/18; A47C
7/54; A47C 4/00; A47C 4/028; A47C
4/28; A47C 3/16; A47C 3/04; A47C 3/12;
A47C 1/02; A47C 1/14
See application file for complete search history.

* cited by examiner

Primary Examiner — Deanna L Pratt
(74) *Attorney, Agent, or Firm* — McGuireWoods LLP

(57) **CLAIM**

The ornamental design for a furniture with stitching, as shown and described.

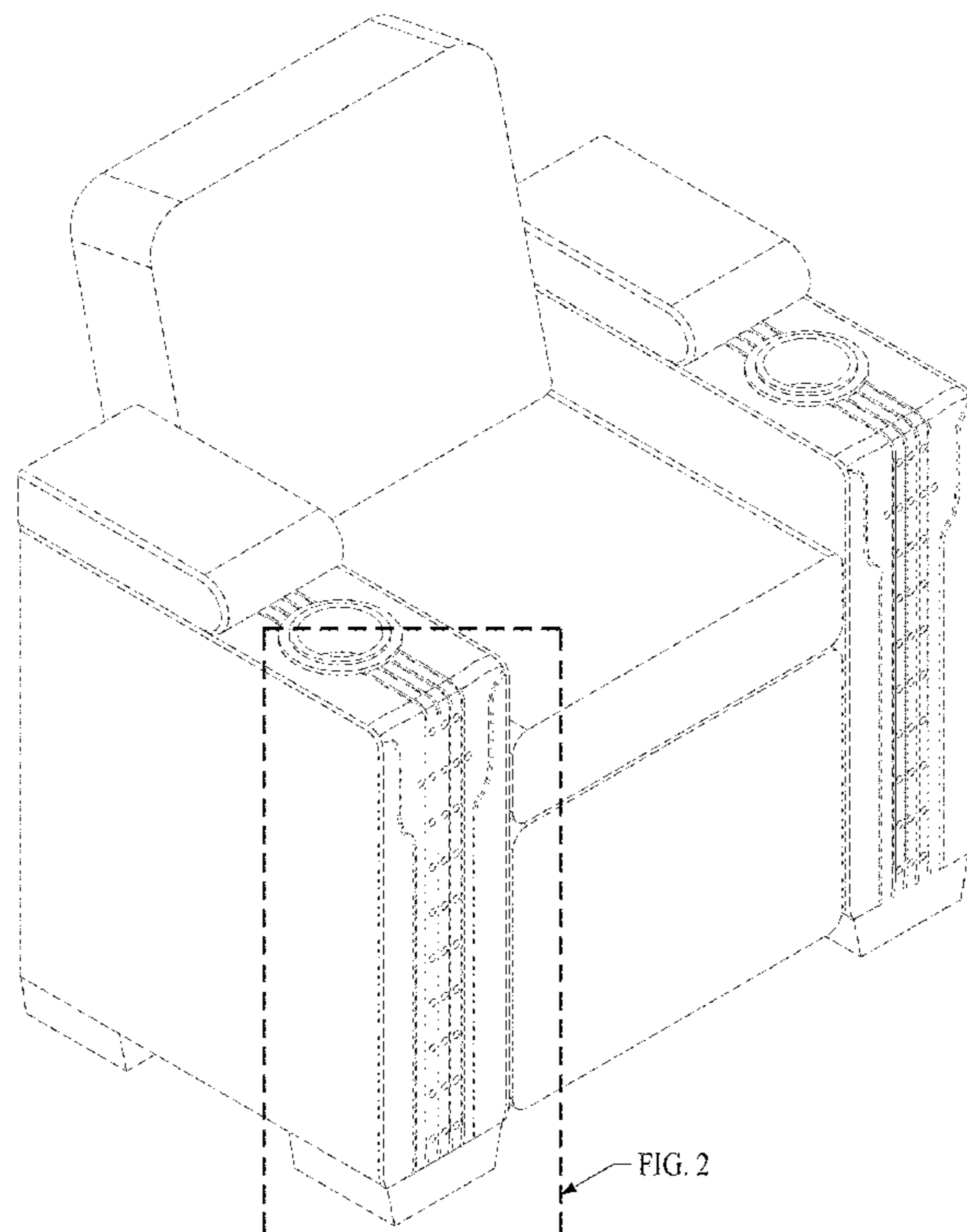
DESCRIPTION

FIG. 1 is a perspective view of a furniture stitching;
FIG. 2 is an enlarged view of the furniture stitching of FIG. 1;
FIG. 3 is a front elevation view thereof; and,
FIG. 4 is an enlarged view of the furniture stitching of FIG. 3.
Broken line immediately adjacent to solid lines illustrate claimed stitching. All other broken lines illustrate portions of the furniture with stitching that form no part of the claimed design.

(56) **References Cited**
U.S. PATENT DOCUMENTS

D329,146 S *	9/1992	Neal	D6/336
D414,046 S *	9/1999	Kort	D6/356
D481,227 S *	10/2003	Lenger	D6/716

1 Claim, 4 Drawing Sheets



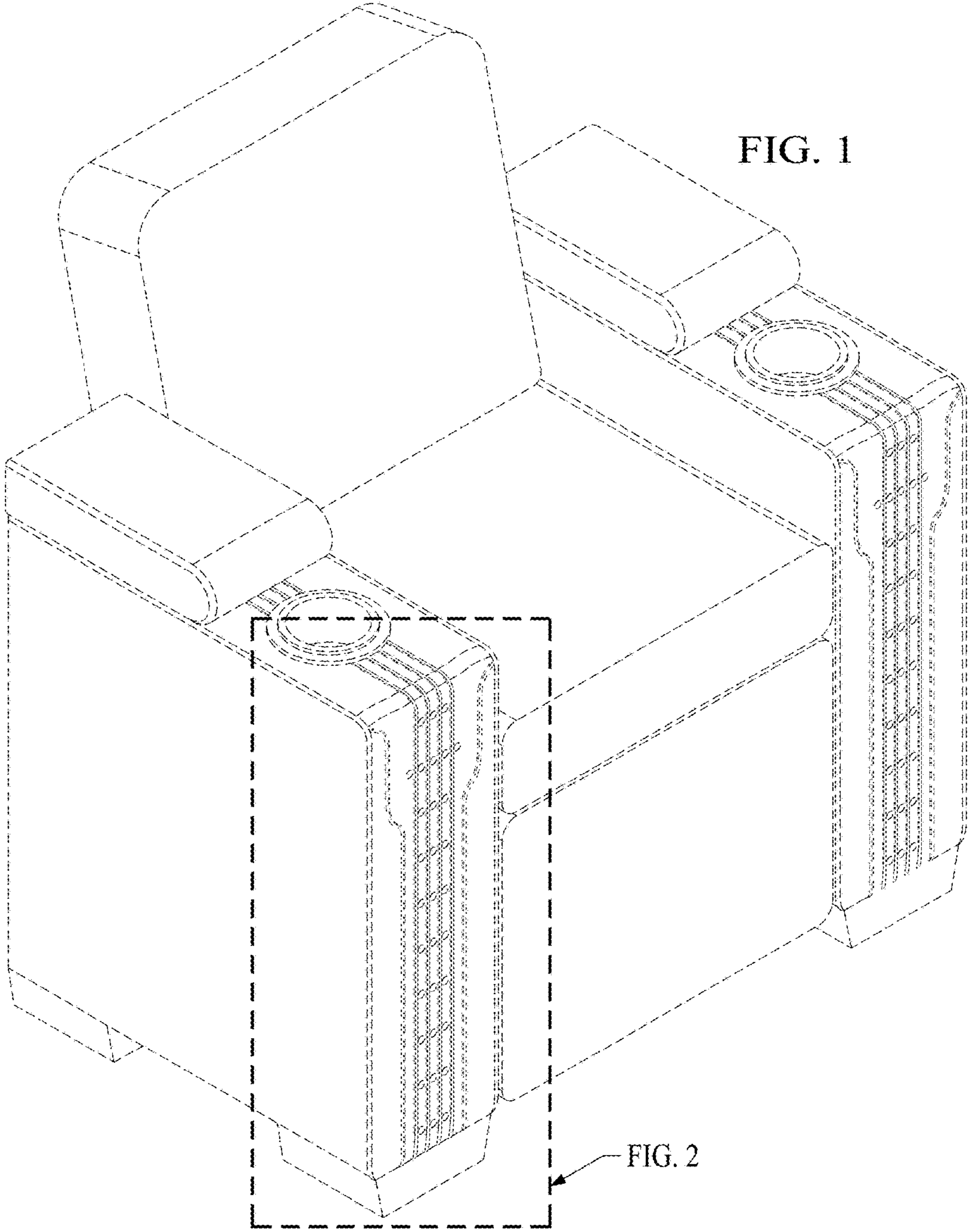
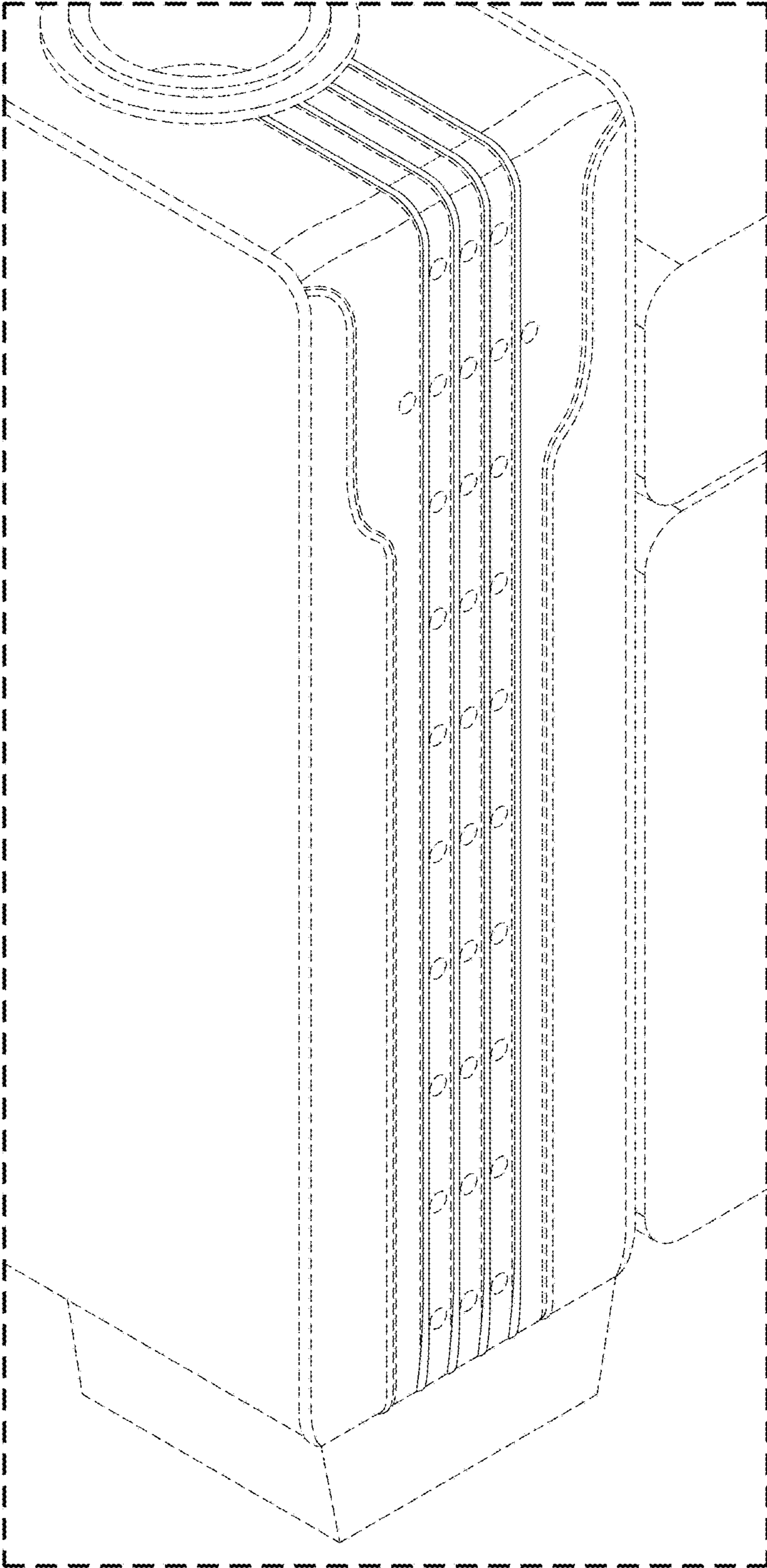


FIG. 2



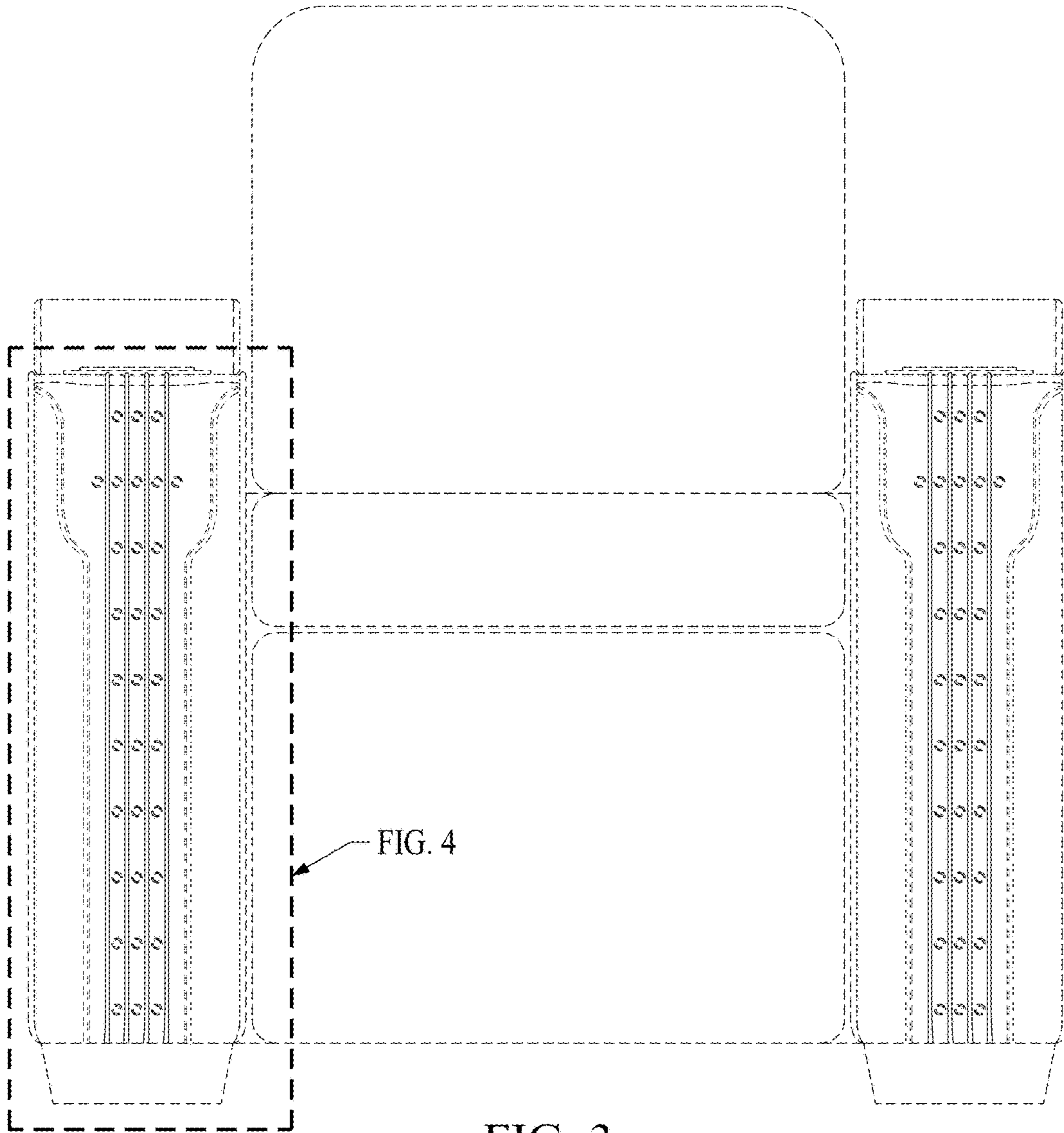


FIG. 3

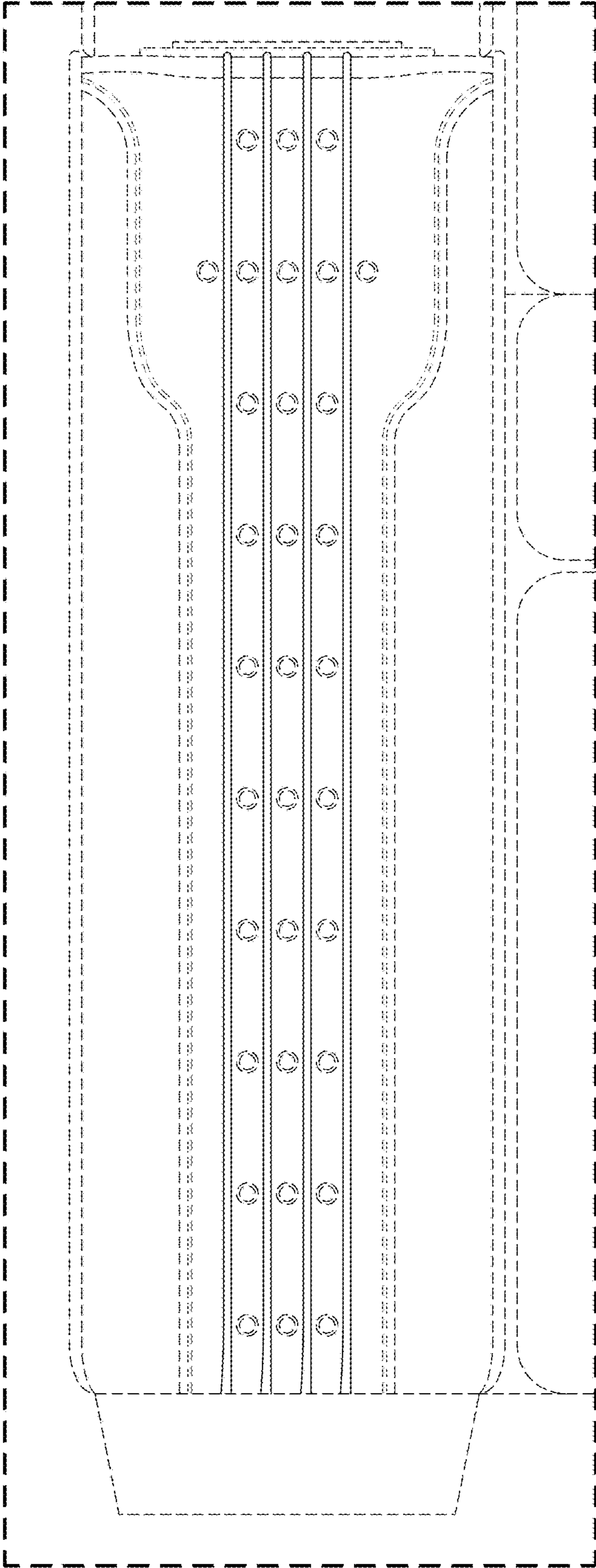


FIG. 4