



US00D814197S

(12) **United States Design Patent**
Salm

(10) **Patent No.:** **US D814,197 S**

(45) **Date of Patent:** **** Apr. 3, 2018**

(54) **COSMETICS BRUSH**

FOREIGN PATENT DOCUMENTS

(71) Applicant: **Paris Presents Incorporated**, Gurnee, IL (US)

CN 201630350817 * 1/2017

EM 003316173-0001 * 9/2016

EM 003316173-0002 * 9/2016

(72) Inventor: **Jaime Salm**, Philadelphia, PA (US)

Primary Examiner — Karen E Eldridge Powers

Assistant Examiner — Jasmine Mlinarcik

(73) Assignee: **PARIS PRESENTS INCORPORATED**, Gurnee, IL (US)

(74) *Attorney, Agent, or Firm* — Quarles & Brady LLP

(**) Term: **15 Years**

(57) **CLAIM**

(21) Appl. No.: **29/553,053**

The ornamental design for a cosmetics brush, substantially as shown and described.

(22) Filed: **Jan. 28, 2016**

DESCRIPTION

(51) **LOC (11) Cl.** **04-02**

(52) **U.S. Cl.**
USPC **D4/138**

(58) **Field of Classification Search**
USPC D4/116, 127, 130, 132, 133, 135, 138;
D7/395; D19/168, 927; D24/119, 113;
D28/7, 63; D32/49, 81; 15/106, 143.1,
15/159.1, 187
CPC A45D 34/00; A45D 40/262; A46B 1/00;
A46B 5/00; A46B 5/0033; A46B 5/0062;
A46B 5/0095; A46B 5/02; A46B 9/021;
A46B 2200/1046; A46B 2200/1033;
A46B 2200/20; A46B 2200/202; A46B
2200/205

See application file for complete search history.

FIG. 1 is a perspective view of a cosmetics brush showing my new design;
FIG. 2 is a front elevation view thereof;
FIG. 3 is a rear elevation view thereof;
FIG. 4 is a left side elevation view thereof;
FIG. 5 is a right side elevation view thereof;
FIG. 6 is a top plan view thereof;
FIG. 7 is a bottom plan view thereof;
FIG. 8 is a perspective view of a second embodiment thereof;
FIG. 9 is a front elevation view of the design as shown in FIG. 8;
FIG. 10 is a rear elevation view thereof;
FIG. 11 is a left side elevation view thereof;
FIG. 12 is a right side elevation view thereof;
FIG. 13 is a top plan view thereof; and
FIG. 14 is a bottom plan view thereof;
FIG. 15 is an enlarged detail view of the ferrule structure taken from FIG. 1; and,
FIG. 16 is an enlarged detail view of the ferrule structure taken from FIG. 8.
Broken lines of FIGS. 1 and 8 illustrate portions of the cosmetics brush that form no part of the claimed invention. The dash-dot-dash broken line in the drawings illustrates the bounds of the claimed design and forms no part thereof.

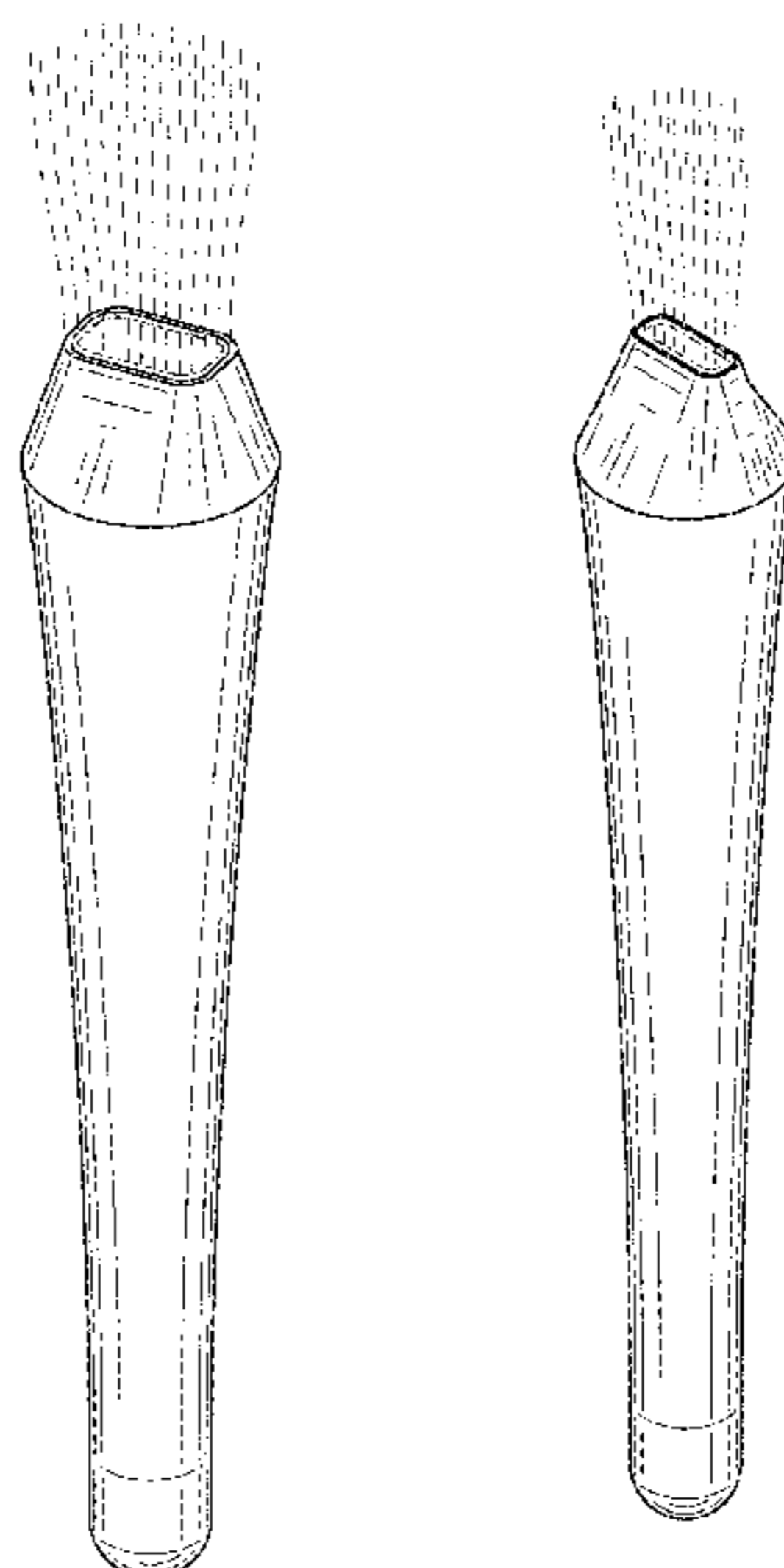
(56) **References Cited**

U.S. PATENT DOCUMENTS

- 376,540 A * 1/1888 McQuide A46B 5/02
15/143.1
- 3,276,062 A * 10/1966 Palumbo B01L 99/00
15/104.94
- D419,719 S * 1/2000 Garcia D28/7
- D452,948 S * 1/2002 Mink D4/138
- D458,761 S * 6/2002 Mason D4/135
- D530,567 S * 10/2006 Timm D7/395

(Continued)

1 Claim, 10 Drawing Sheets



(56)

References Cited

U.S. PATENT DOCUMENTS

7,565,714 B2 * 7/2009 Gueret A45D 34/045
15/143.1
D664,251 S * 7/2012 Ruiz, Sr. D24/133
8,671,499 B2 * 3/2014 Lim A46B 5/005
132/120
D718,941 S * 12/2014 Matsuishi D4/135
D732,888 S * 6/2015 Rose D7/395
2016/0262528 A1 * 9/2016 Telwar A46B 3/10
2016/0324306 A1 * 11/2016 Martin A46B 13/02

* cited by examiner

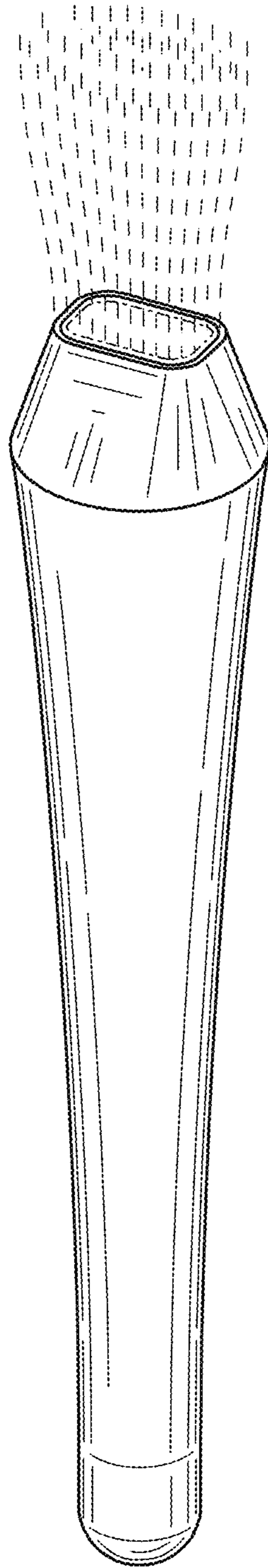


FIG.1

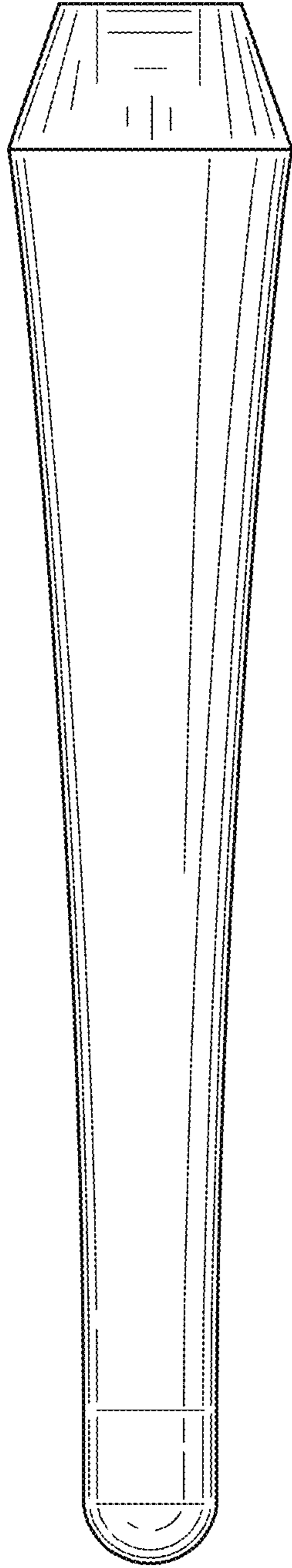


FIG. 2

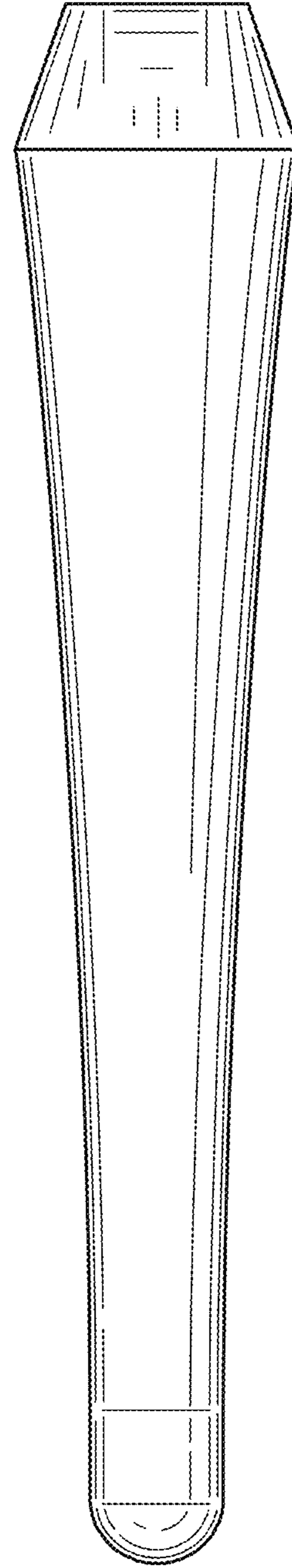


FIG. 3

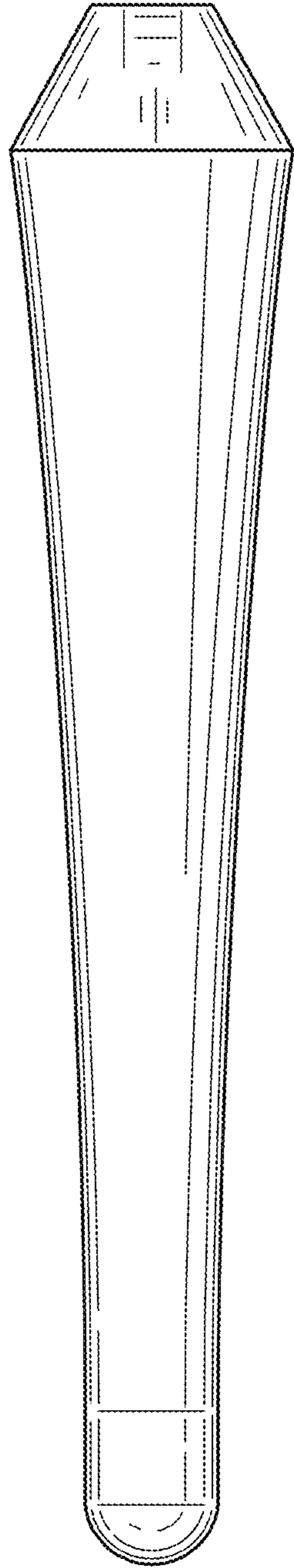


FIG. 4

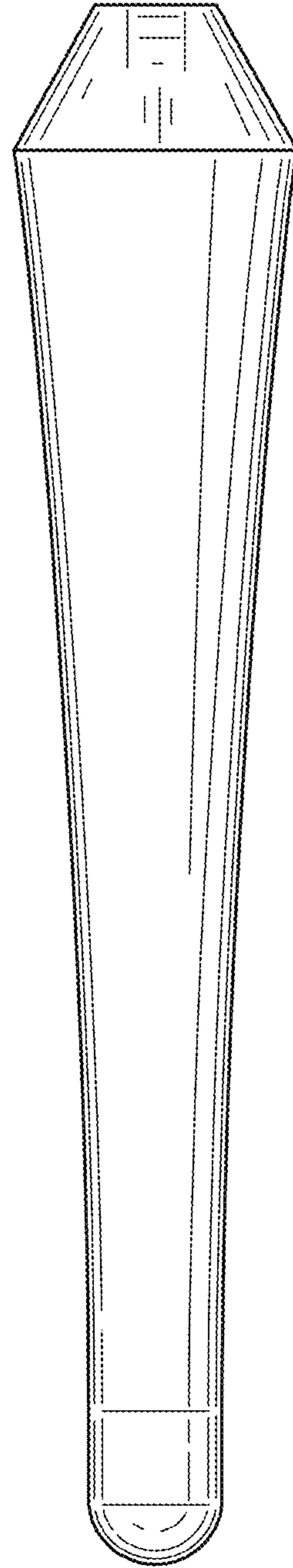


FIG. 5

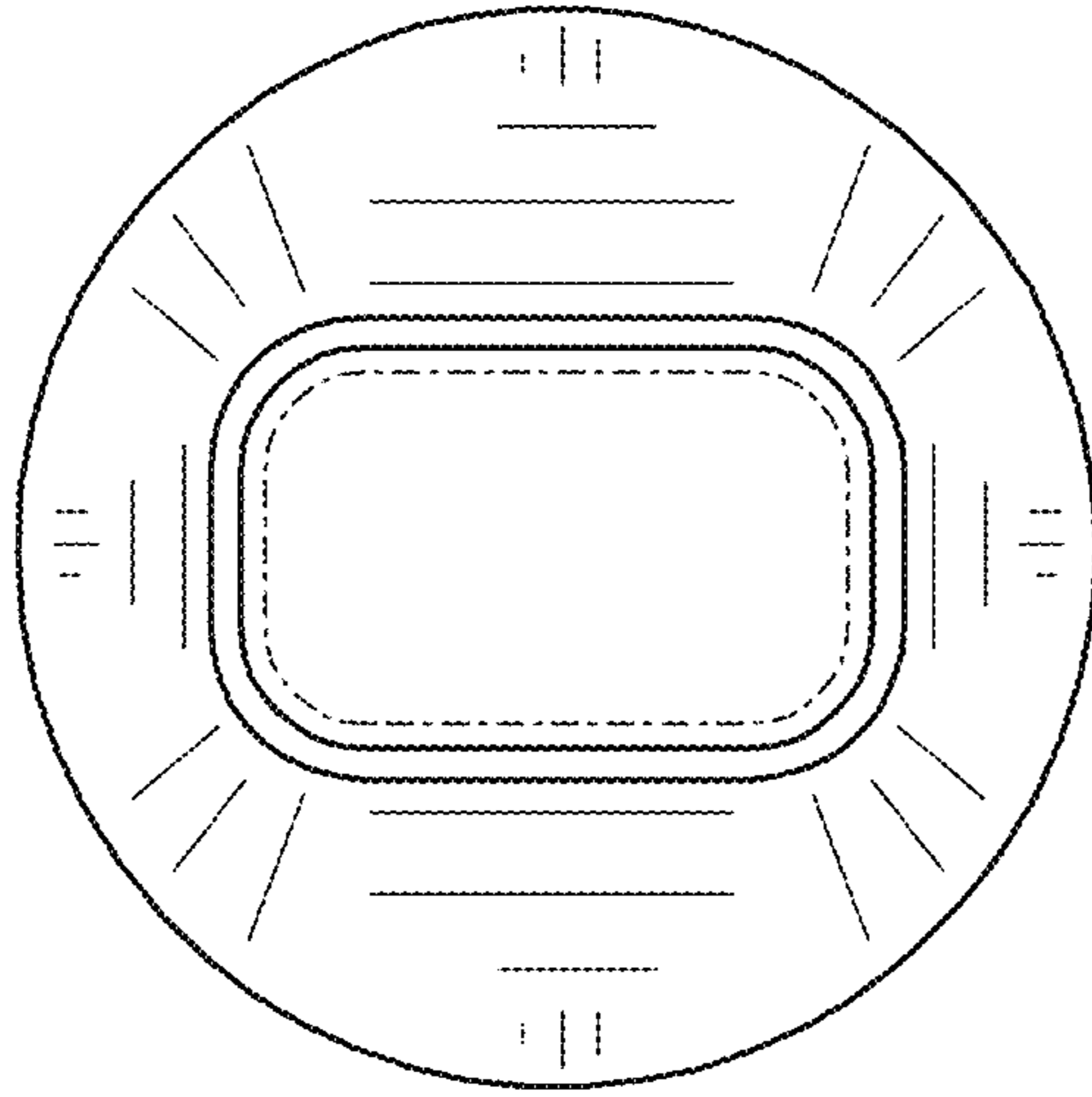


FIG. 6

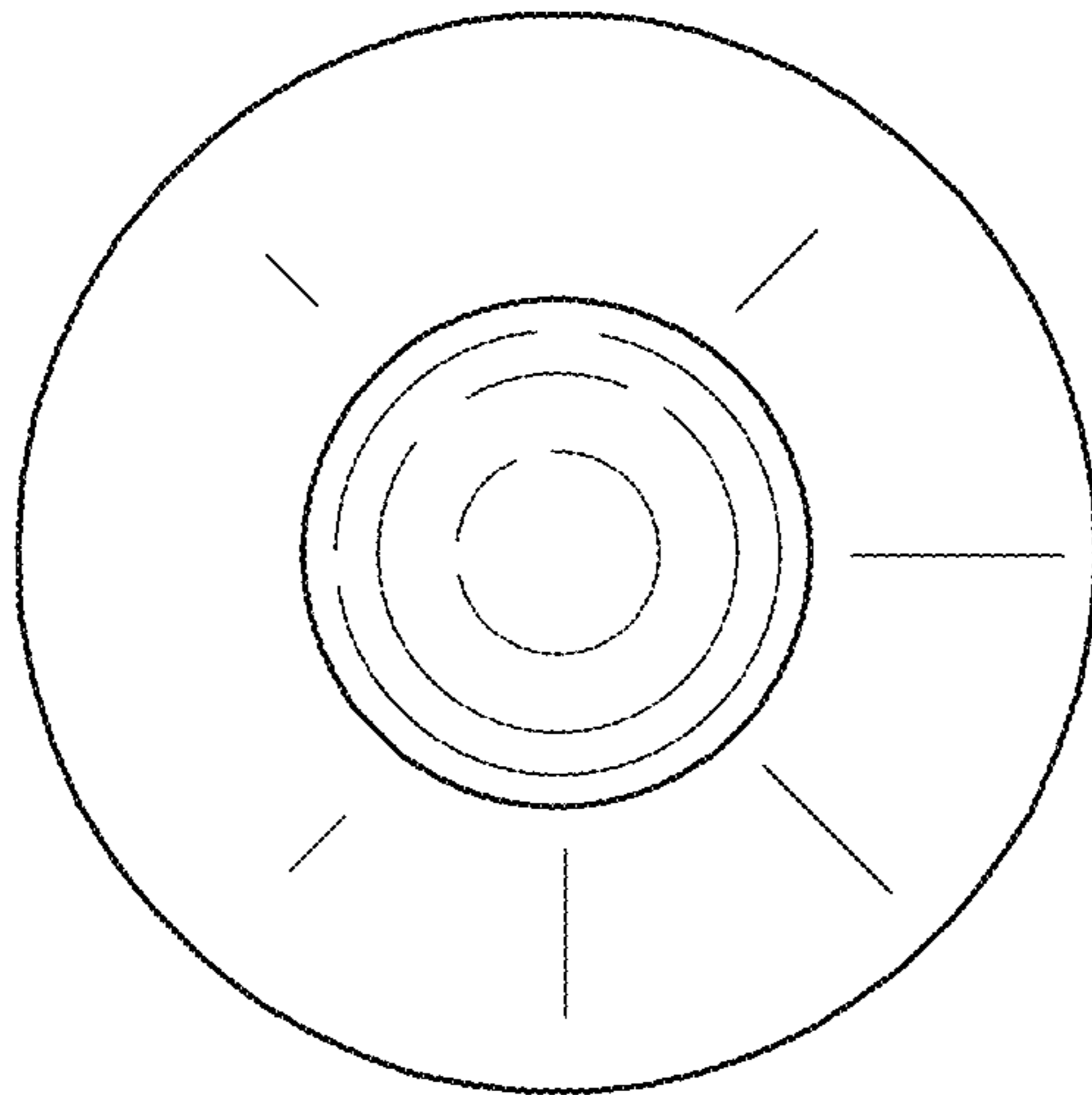


FIG. 7

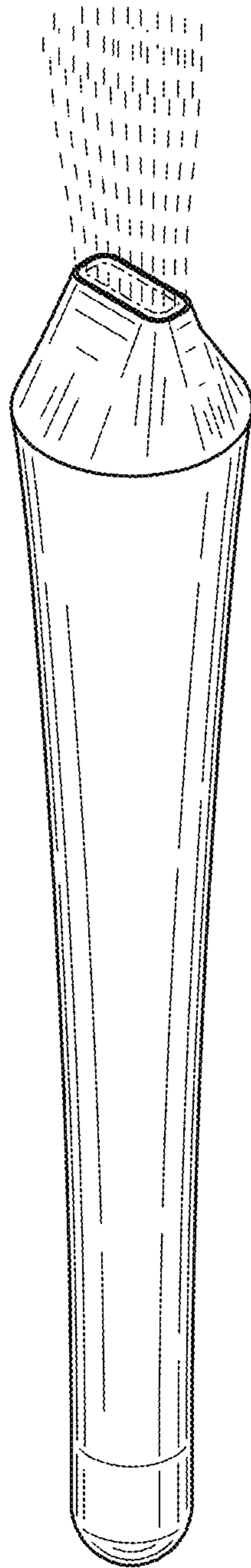


FIG.8

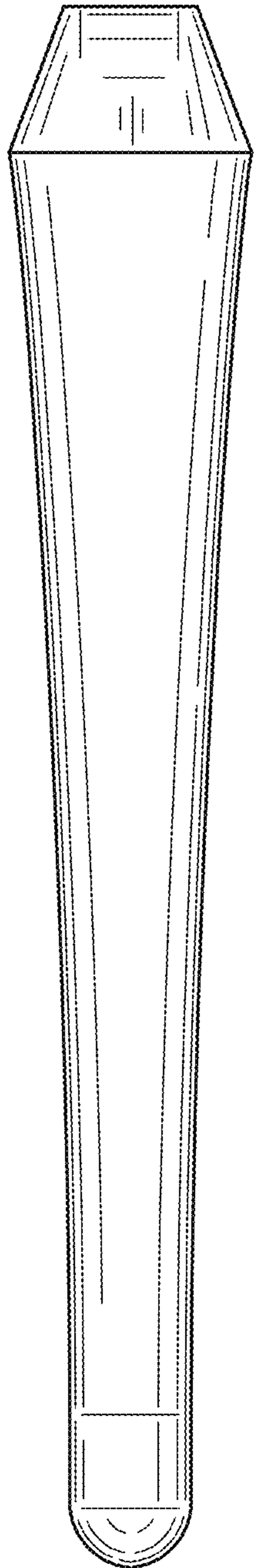


FIG. 9

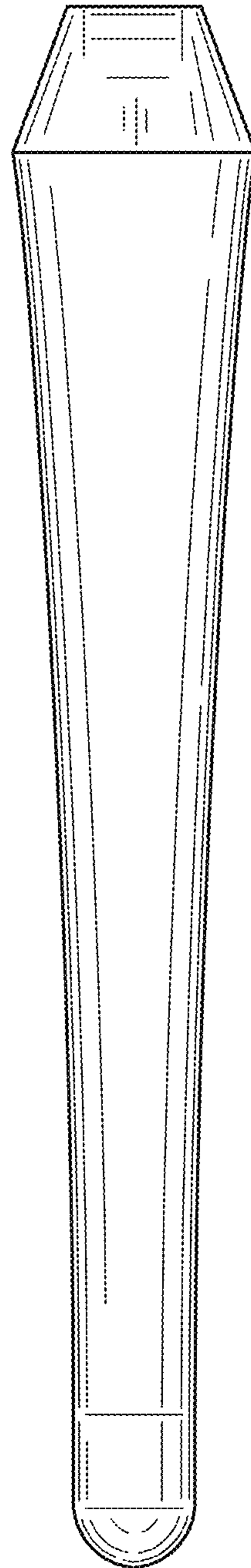


FIG. 10

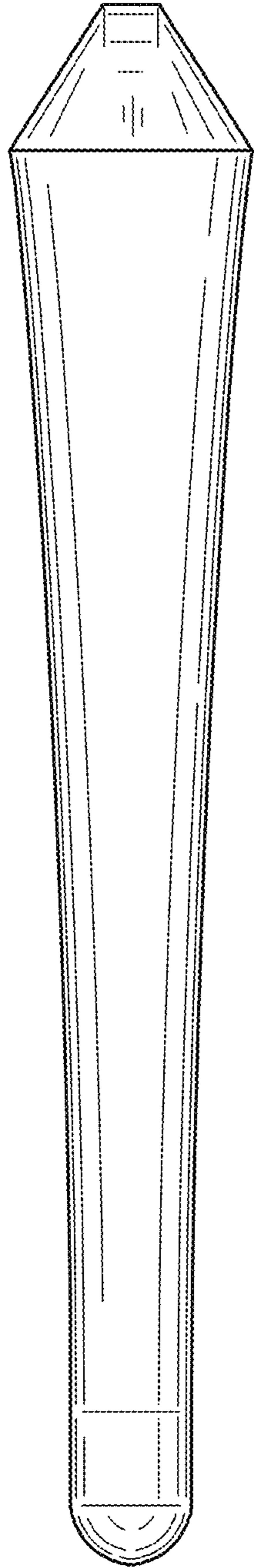


FIG. 11

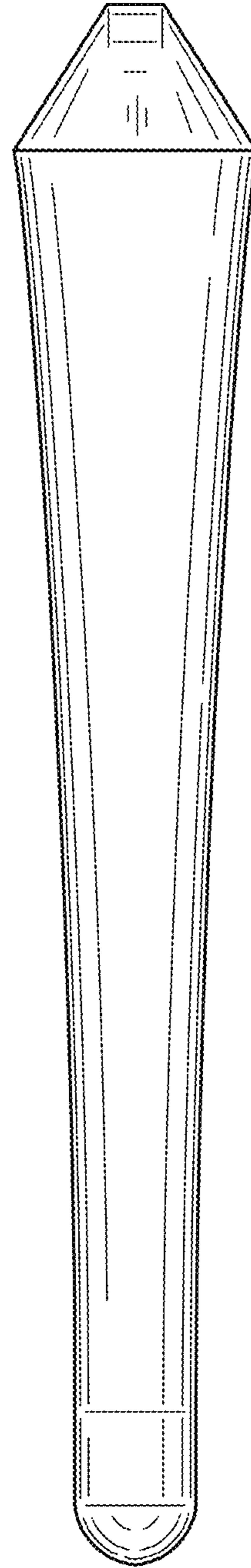


FIG. 12

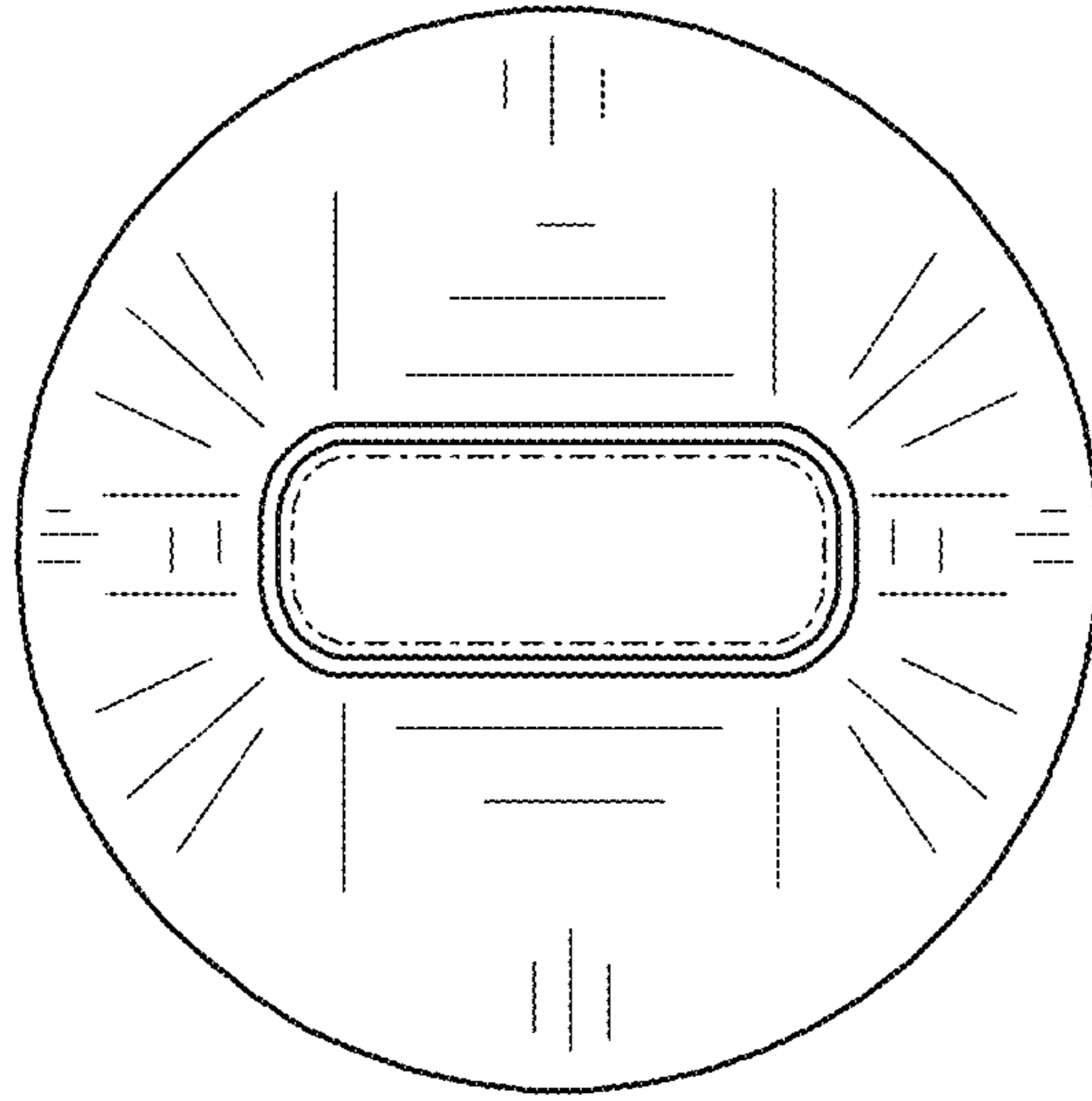


FIG. 13

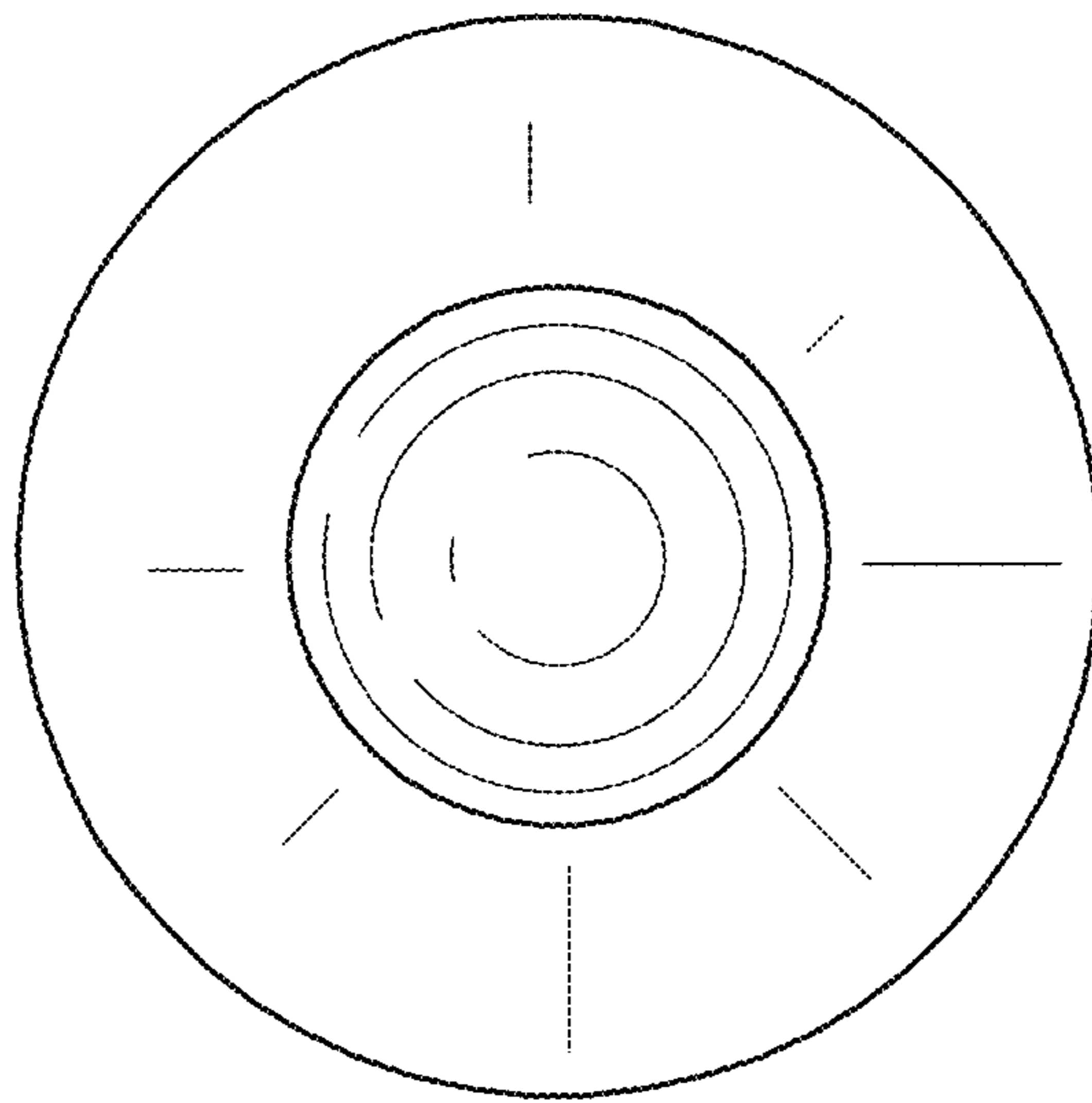


FIG. 14

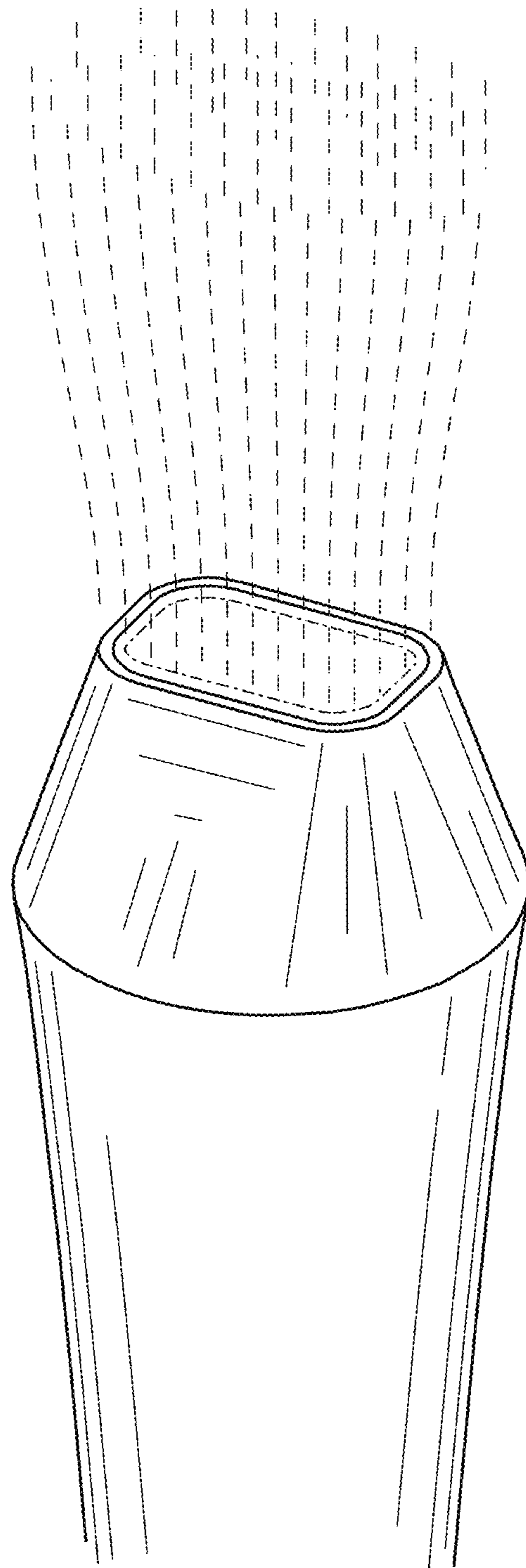


FIG.15

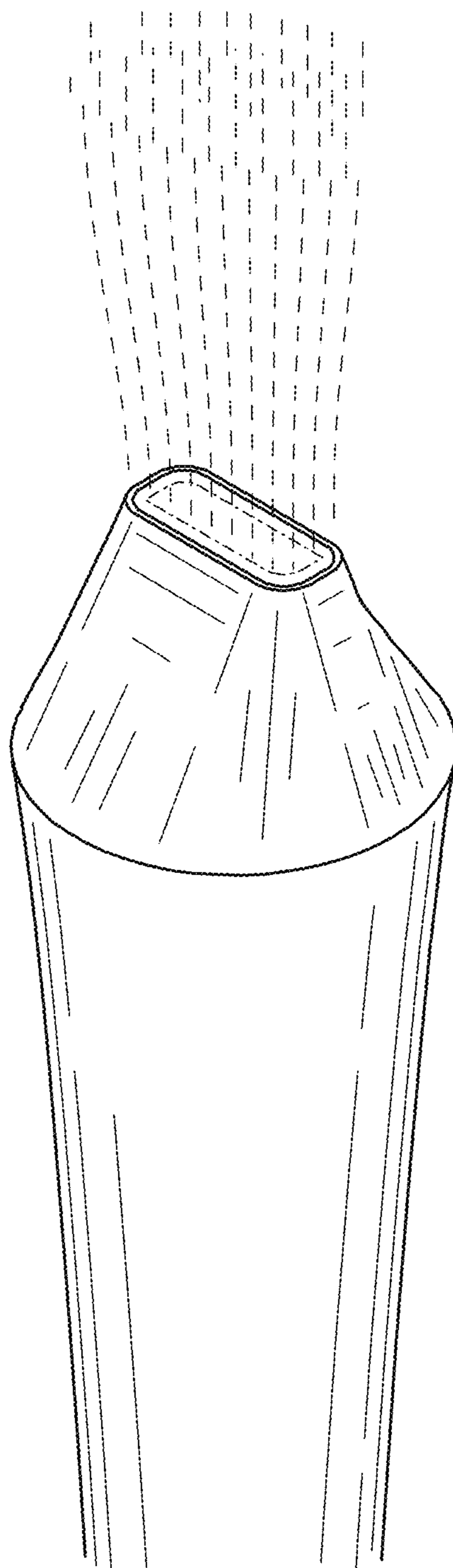


FIG.16