



US00D814192S

(12) **United States Design Patent** (10) **Patent No.:** **US D814,192 S**
Fusi (45) **Date of Patent:** **** Apr. 3, 2018**

(54) **HANDBAG**

(71) Applicant: **FURLA S.p.A.**, Bologna (IT)
(72) Inventor: **Fabio Fusi**, Tavarnelle Val di Pesa (IT)
(73) Assignee: **FURLA S.p.A.** (IT)
(**) Term: **15 Years**
(21) Appl. No.: **29/588,528**
(22) Filed: **Dec. 21, 2016**

(30) **Foreign Application Priority Data**

Jun. 21, 2016 (EP) 003232198
(51) **LOC (11) Cl.** **03-01**
(52) **U.S. Cl.**
USPC **D3/318**
(58) **Field of Classification Search**
USPC D3/232, 233, 240–243, 245–246, 318
CPC A45C 1/024; A45C 3/06
See application file for complete search history.

(56) **References Cited**

U.S. PATENT DOCUMENTS

D626,331 S * 11/2010 Guyon D3/243
D686,820 S * 7/2013 Song D3/243
D698,145 S * 1/2014 Deneve D3/243
D726,409 S * 4/2015 Fusi D3/243
D770,176 S * 11/2016 Guyon D3/243
D772,564 S * 11/2016 Michele D3/243

FOREIGN PATENT DOCUMENTS

EM 003294768 7/2016

OTHER PUBLICATIONS

U.S. Appl. No. 29/589,905, filed Jan. 5, 2017 (unpublished).
U.S. Appl. No. 29/588,515, of Fabio Fusi, filed Dec. 21, 2016 (unpublished).
U.S. Appl. No. 29/588,519, of Fabio Fusi, filed Dec. 21, 2016 (unpublished).
U.S. Appl. No. 29/589,898, of Fabio Fusi, filed Jan. 5, 2017 (unpublished).
U.S. Appl. No. 29/589,905, of Fabio Fusi, filed Jan. 5, 2017 (unpublished).

* cited by examiner

Primary Examiner — Holly H Baynham

(74) *Attorney, Agent, or Firm* — Saidman DesignLaw Group, LLC

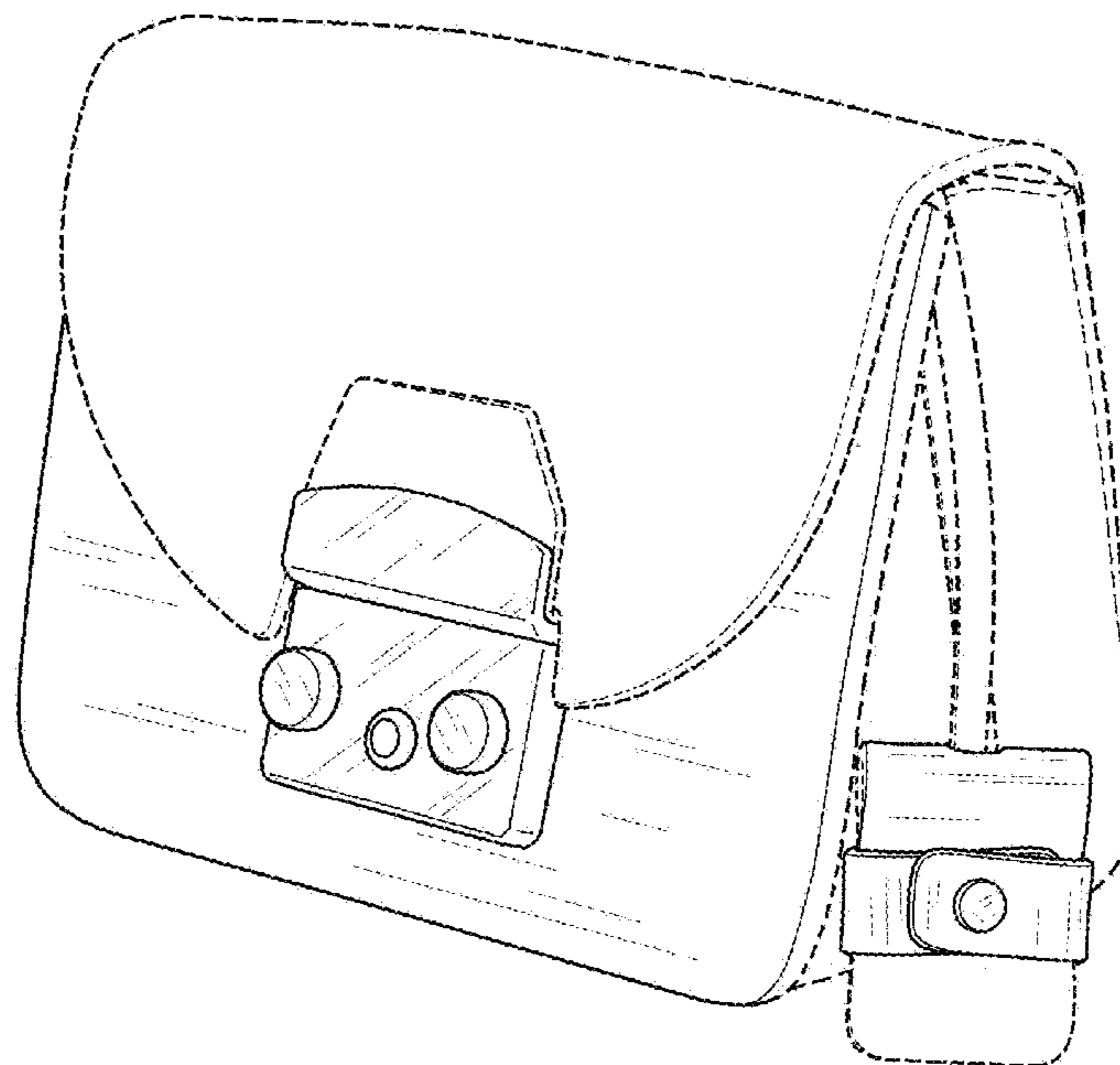
(57) **CLAIM**

The ornamental design for a handbag, as shown and described.

DESCRIPTION

FIG. 1 is a front perspective view of a handbag showing my new design;
FIG. 2 is a front view thereof;
FIG. 3 is a rear view thereof;
FIG. 4 is a left side view thereof;
FIG. 5 is a right side view thereof;
FIG. 6 is a top view thereof; and,
FIG. 7 is a bottom view thereof.
The broken lines illustrate structure or features which form no part of the claimed design.
The thin horizontal lines represent contour and not surface ornamentation.
The thin diagonal lines represent a metallic surface.

1 Claim, 6 Drawing Sheets



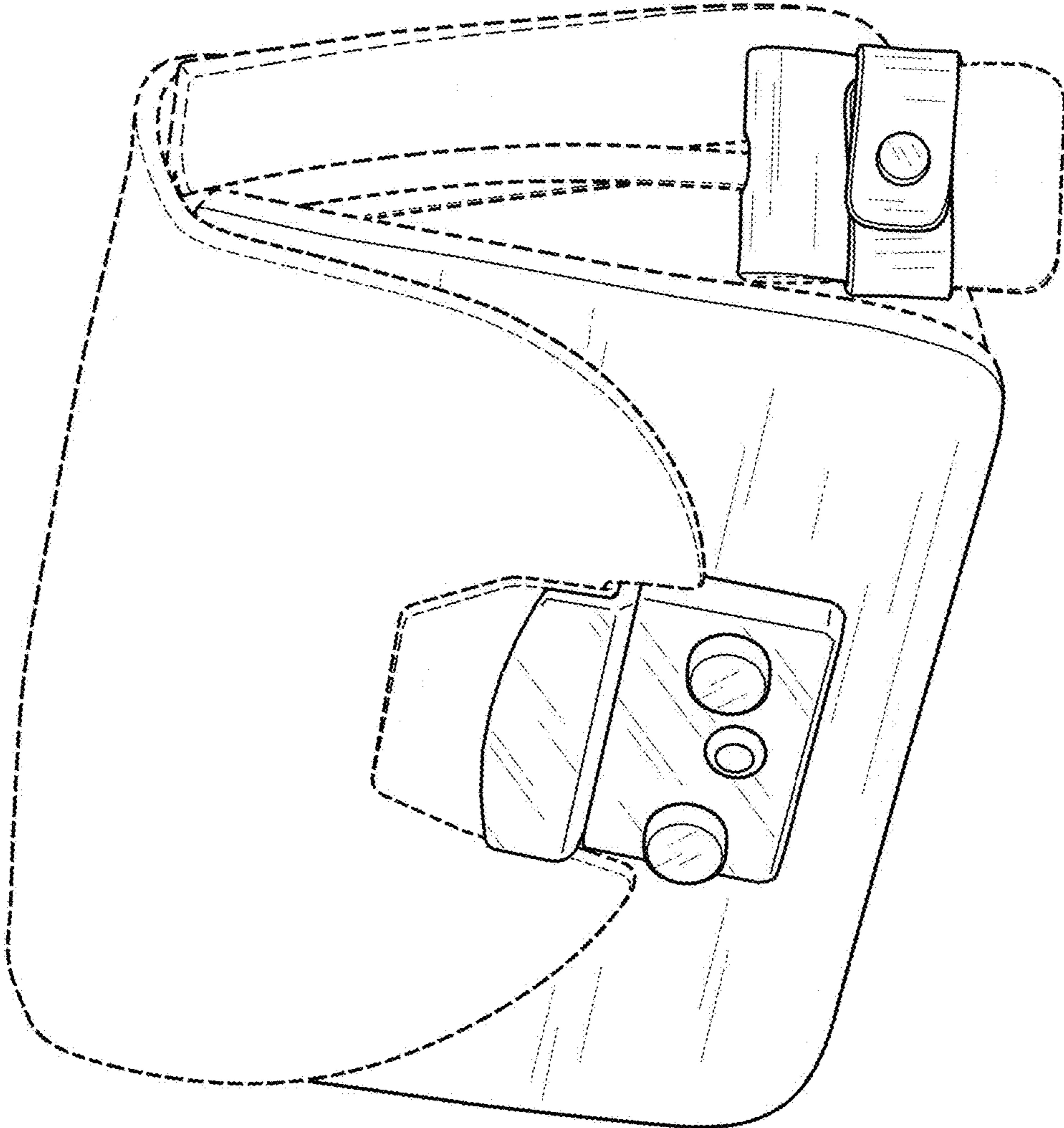


FIG. 1

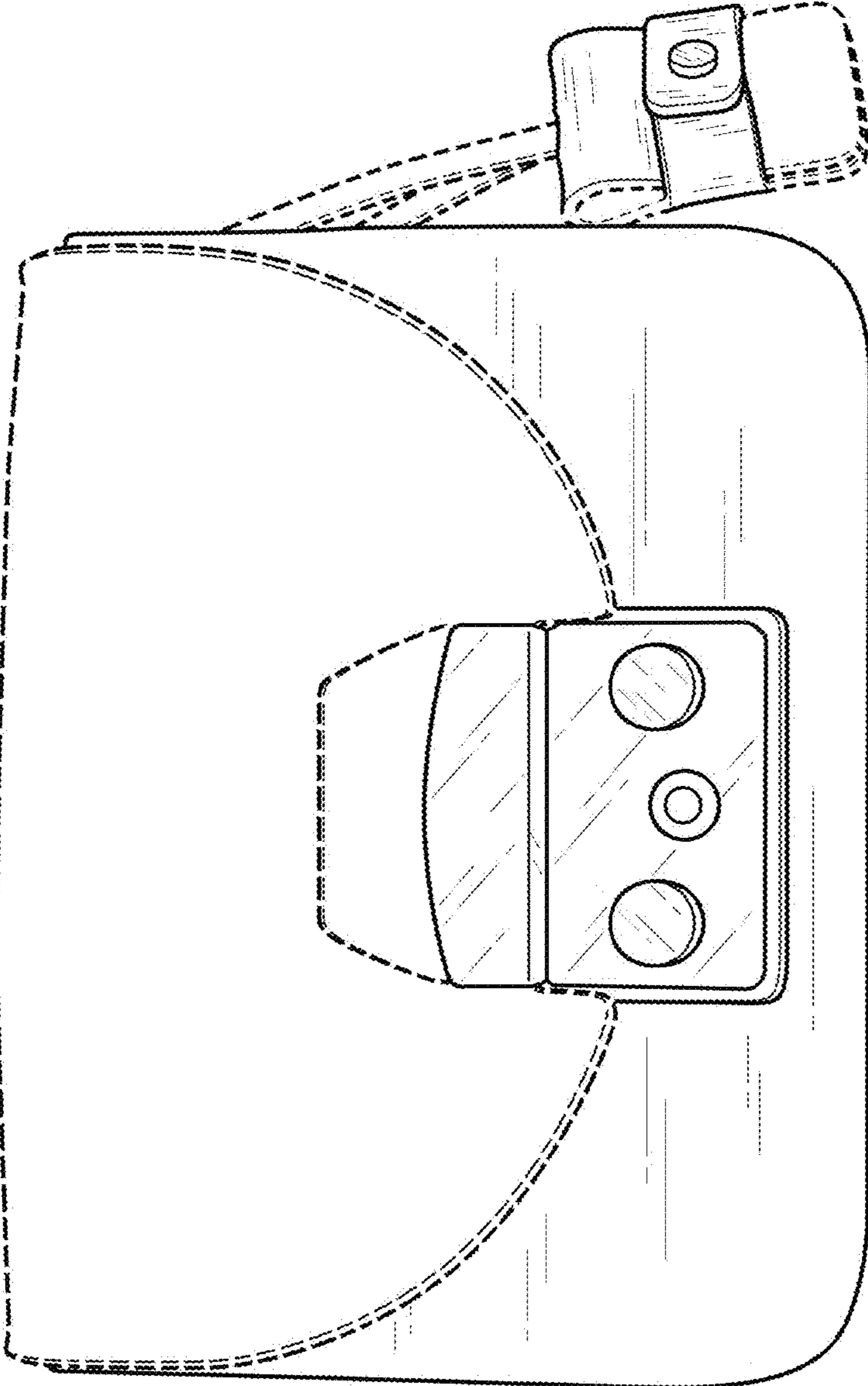


FIG. 2

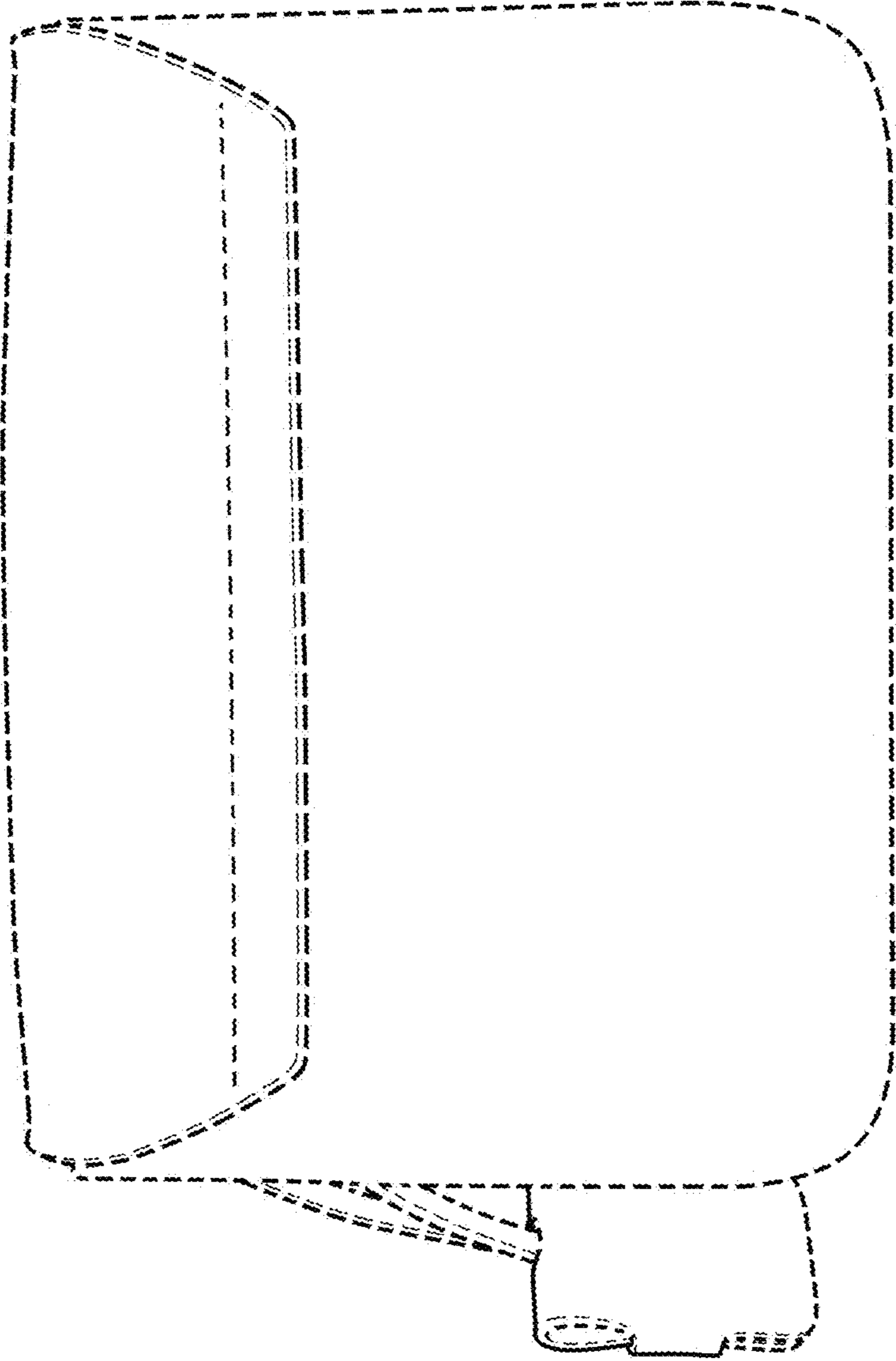


FIG. 3

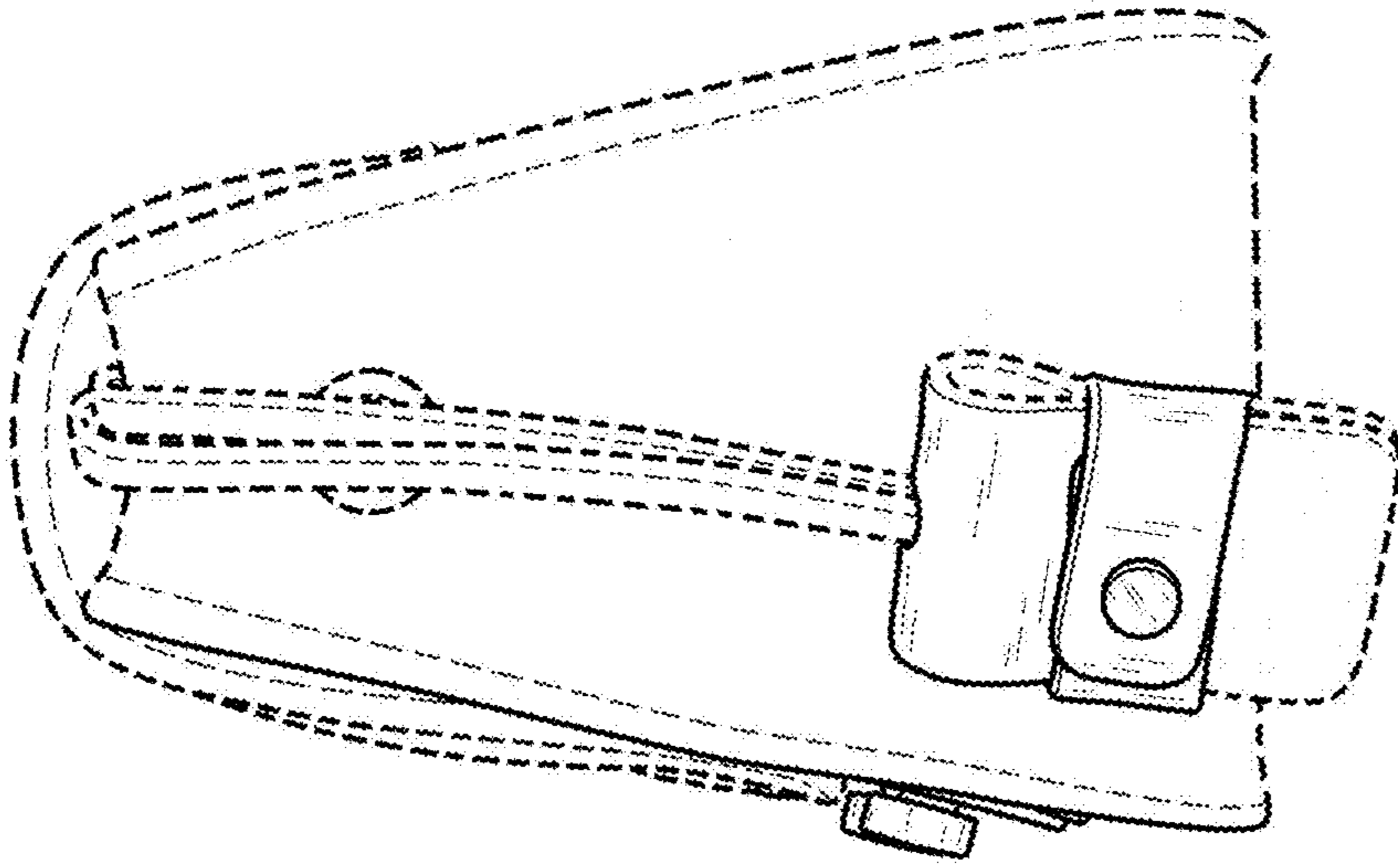


FIG. 5

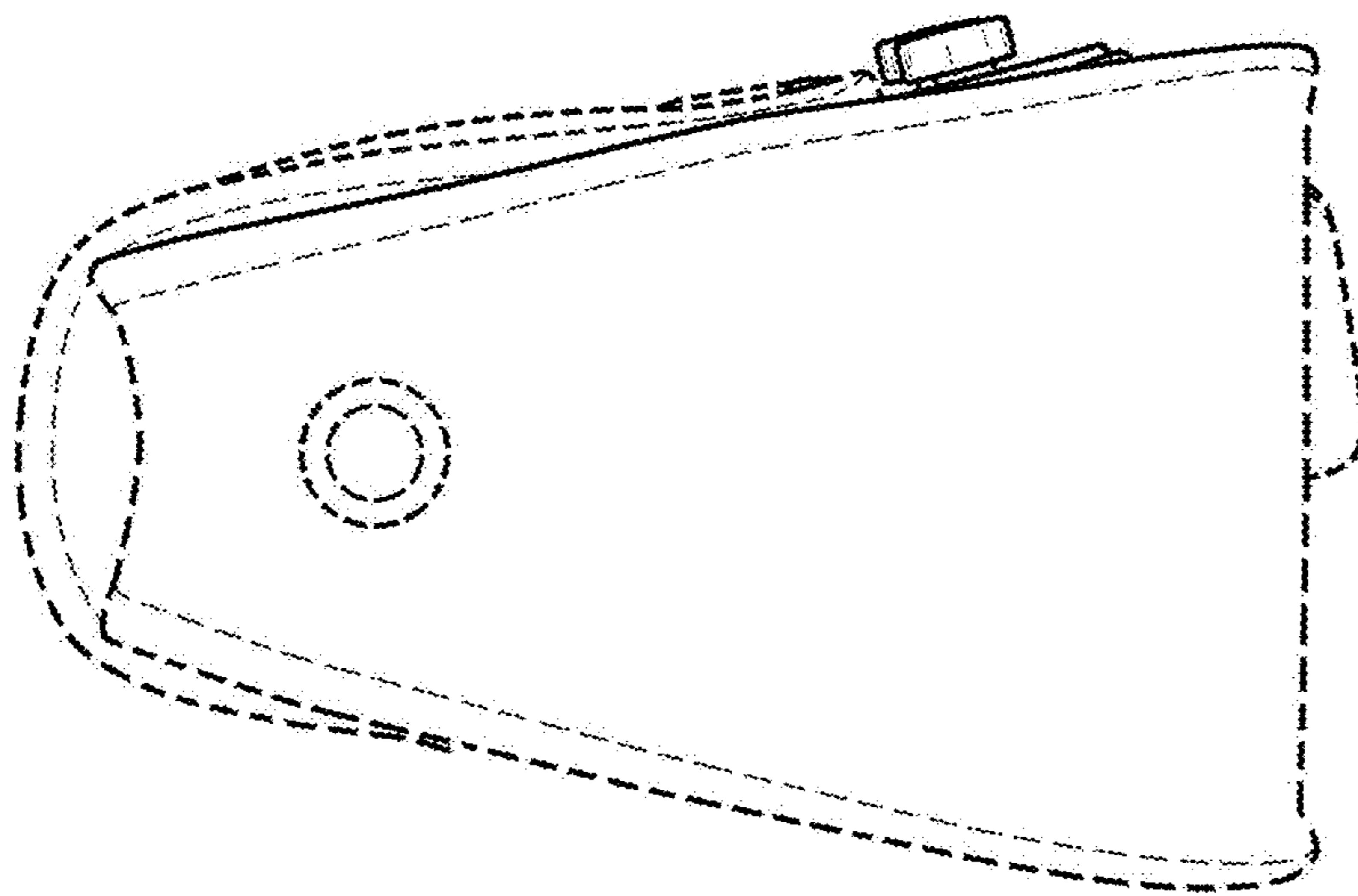


FIG. 4

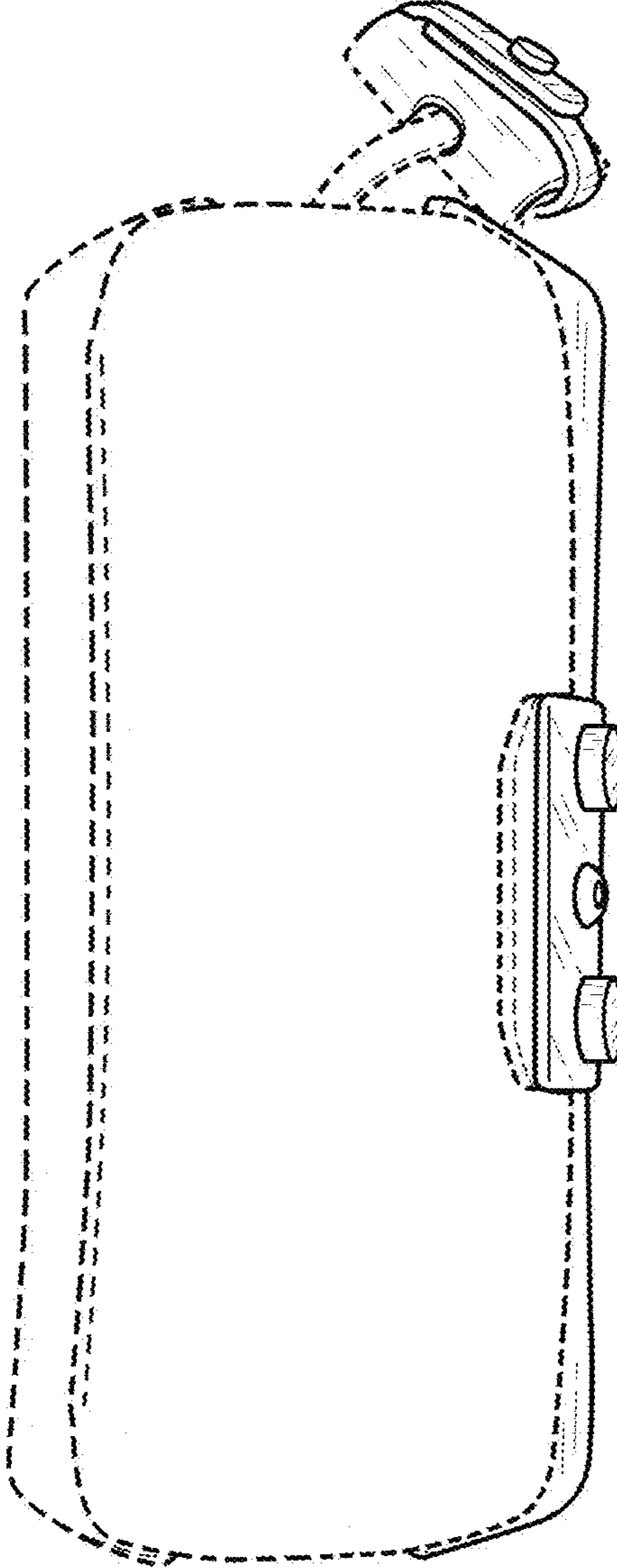


FIG. 6

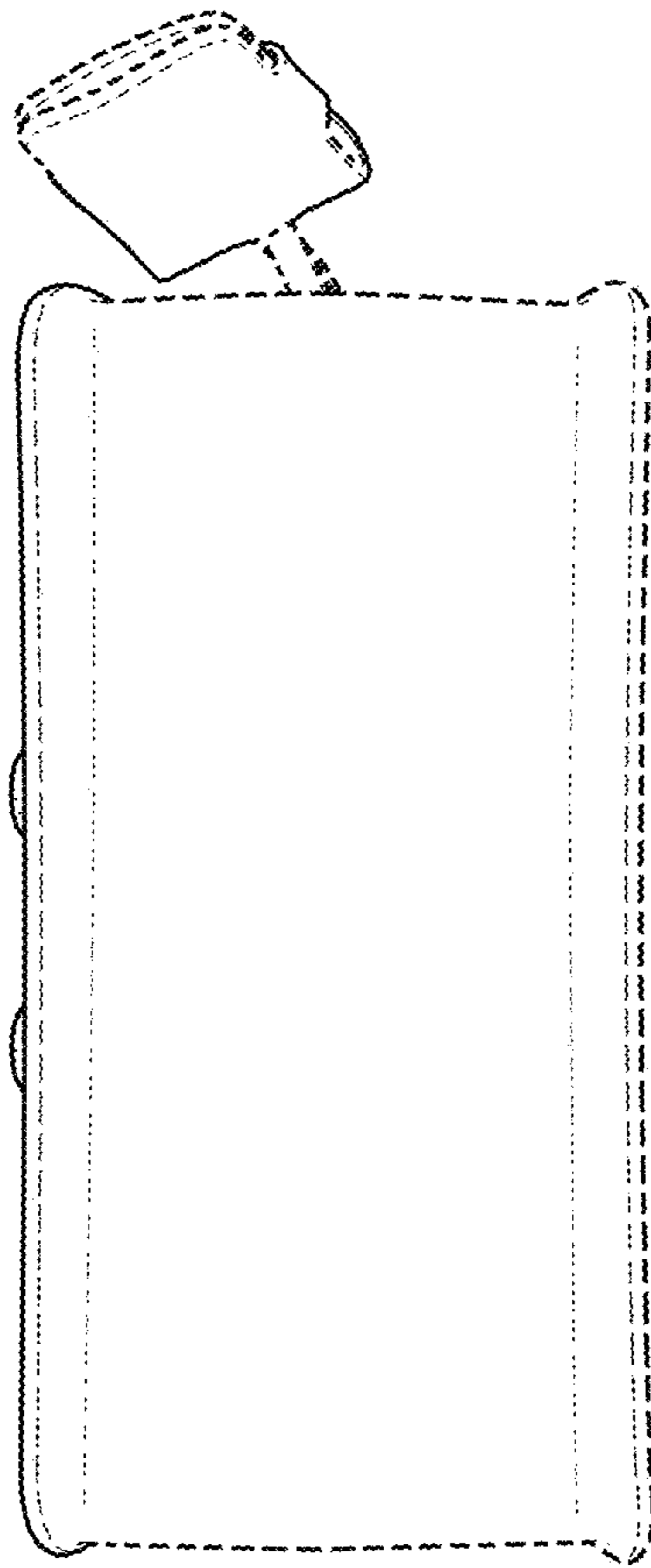


FIG. 7