



US00D814188S

(12) **United States Design Patent** (10) **Patent No.:** **US D814,188 S**
Bell (45) **Date of Patent:** **** Apr. 3, 2018**

(54) **COLLAPSIBLE BAG WITH SIDE GUSSETS**
(71) Applicant: **Gary Michael Bell**, Crystal, MN (US)
(72) Inventor: **Gary Michael Bell**, Crystal, MN (US)
(**) Term: **15 Years**
(21) Appl. No.: **29/564,046**
(22) Filed: **May 10, 2016**
(51) **LOC (11) Cl.** **03-01**
(52) **U.S. Cl.**
USPC **D3/301**
(58) **Field of Classification Search**
USPC D9/424, 434, 703, 705, 707, 709;
D3/318-319, 294-296, 299, 255, 201,
D3/273-293, 300-301, 303, 271.9, 232,
D3/234, 244, 256, 320; 383/104, 120, 6,
383/8, 12, 17, 97; 224/148.6, 148.7
CPC A45C 5/00; A45C 1/00; A45C 1/02; A45C
1/024; A45C 1/08; A45C 3/10; A45C
2011/003; A45C 7/00; A45C 7/0018;
A45C 7/0054; A45C 7/0059; A45C
7/0095; A45C 2200/00; A45C 13/00;
A45C 13/001; A45C 13/002; A45C
13/08; A45C 11/24; A45C 11/00; A45C
11/20; A45F 3/00; A45F 3/02; A45F
3/04; A45F 3/06; A45F 2003/001; A45F
2003/002; A45F 2003/006; A45F
2200/00; A45F 2200/0525; A45F 5/00;
A45F 2005/006; B65D 75/008; A63B
47/001; A63B 55/00; A61L 9/046; A61L
9/12; F24F 2003/1689
See application file for complete search history.

D239,253 S * 3/1976 Tiep et al. D9/707
D278,974 S * 5/1985 Ray D9/434
D285,412 S 9/1986 Harwell, Jr.
4,717,046 A 1/1988 Brogli
4,837,849 A 6/1989 Erickson et al.
4,898,477 A 2/1990 Cox et al.
D307,385 S 4/1990 Kimura
4,974,732 A 12/1990 Sullivan et al.
D318,795 S 8/1991 Christine
5,348,398 A * 9/1994 Buchanan B65D 75/008
383/104
5,437,406 A * 8/1995 Gordon B65D 5/18
229/104
D392,559 S 3/1998 Smith et al.
D409,481 S 5/1999 Smith et al.
D412,665 S 8/1999 Smith et al.
6,076,968 A 6/2000 Smith et al.
D430,794 S 9/2000 Parent-Inch
D434,976 S 12/2000 Berman
D435,440 S 12/2000 Croft et al.

(Continued)

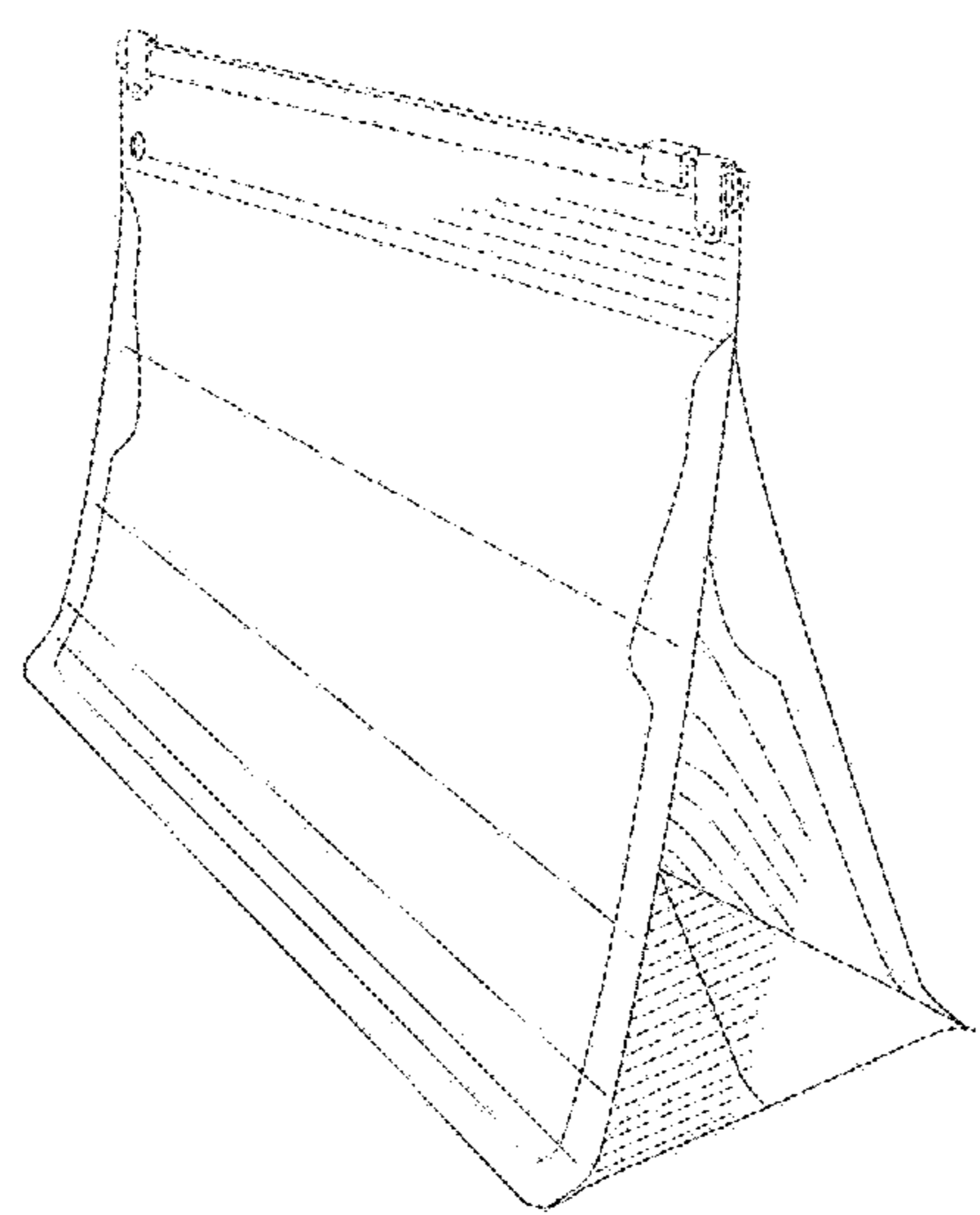
Primary Examiner — Anhdao Doan
Assistant Examiner — Mary Malley
(74) *Attorney, Agent, or Firm* — Barnes & Thornburg
LLP; Jeffrey R. Stone

(57) **CLAIM**
The ornamental design for a collapsible bag with side gussets, as shown and described.

DESCRIPTION
FIG. 1 is a perspective view of the collapsible bag with side gussets showing the design;
FIG. 2 is a front view thereof;
FIG. 3 is a back view thereof;
FIG. 4 is a left side view thereof;
FIG. 5 is a right side view thereof;
FIG. 6 is a top view thereof; and,
FIG. 7 is a bottom view thereof.
The broken lines illustrate portions of the collapsible bag with side gussets that form no part of the claimed design.

1 Claim, 5 Drawing Sheets

(56) **References Cited**
U.S. PATENT DOCUMENTS
2,734,584 A 2/1956 Spooner
3,171,581 A 3/1965 Kugler
3,453,661 A 7/1969 Repko



(56)

References Cited

U.S. PATENT DOCUMENTS

D436,847 S	1/2001	Berman		D627,236 S	11/2010	Kozarsky	
D436,860 S	1/2001	Raso		D628,087 S	11/2010	Schroeder et al.	
6,244,747 B1	6/2001	Caudle		D628,902 S	12/2010	Schroeder et al.	
6,293,073 B1	9/2001	Caudle		D628,903 S	12/2010	Caldwell et al.	
D448,988 S	10/2001	Bell et al.		D632,560 S	2/2011	Caldwell et al.	
D451,793 S	12/2001	Berman		D632,567 S	2/2011	Caldwell et al.	
D451,804 S	12/2001	Bell		D634,643 S	3/2011	Caldwell et al.	
6,409,386 B1 *	6/2002	Trani	B65D 75/008 383/104	D642,933 S	8/2011	Schroeder et al.	
				D651,522 S	1/2012	Kristoff	
D463,266 S	9/2002	Zappa		D656,038 S	3/2012	Molayem	
D472,139 S *	3/2003	Rizzuto, Jr.	D9/709	D658,075 S	4/2012	Umenaka	
D473,132 S	4/2003	Berman		D660,720 S	5/2012	Umenaka	
D484,972 S	1/2004	Steele, IV et al.		8,181,823 B2	5/2012	Fukuizumi et al.	
D489,603 S	5/2004	Berman		D667,313 S	9/2012	Hensen	
D489,606 S	5/2004	Lofman		D674,707 S	1/2013	Berman	
D502,390 S *	3/2005	Ouchi	D9/705	D676,763 S	2/2013	Kenmotsu et al.	
D505,081 S	5/2005	Risgalla		8,403,161 B2	3/2013	Van Puijenbroek	
6,912,825 B2	7/2005	Kothari		D686,088 S	7/2013	Murray	
D508,413 S	8/2005	Ueda		D686,089 S	7/2013	Murray	
D509,751 S	9/2005	Risgalla		D688,567 S	8/2013	Stronski	
6,988,828 B2 *	1/2006	Linneweil	B65D 31/10 383/120	D690,501 S	10/2013	Yetts	
				D693,961 S	11/2013	Fish	
7,018,099 B2	3/2006	Caudle		8,591,109 B2 *	11/2013	Ackerman	A45C 11/20 383/104
D523,758 S	6/2006	Risgalla					
D527,273 S	8/2006	Edwards		D695,133 S	12/2013	Teman	
D528,011 S	9/2006	Ueda		D699,127 S	2/2014	Garrity et al.	
D548,613 S	8/2007	Miller et al.		D703,064 S	4/2014	Warrington et al.	
D553,007 S	10/2007	Goodwin et al.		D730,745 S *	6/2015	Cowan-Hughes	D9/709
D555,011 S	11/2007	Spanjaard		2003/0211224 A1	11/2003	Eichelberger et al.	
D560,122 S	1/2008	Fuchs et al.		2004/0131284 A1 *	7/2004	Stolmeier	B65D 31/10 383/64
D571,672 S	6/2008	Murray					
D584,168 S	1/2009	Murray		2004/0146224 A1 *	7/2004	Piotrowski	B65D 31/10 383/64
D588,001 S	3/2009	Sato					
D594,752 S	6/2009	Medema et al.		2007/0084887 A1	4/2007	Schelbach	
D598,299 S	8/2009	Isogai et al.		2007/0242905 A1 *	10/2007	Weaver	B65D 75/008 383/109
7,581,371 B2	9/2009	Owensby et al.					
D604,636 S	11/2009	McMorris		2008/0131035 A1 *	6/2008	Rogers	B65D 75/5827 383/203
D609,112 S	2/2010	Koyanagi					
D610,467 S	2/2010	Kozarsky		2009/0028470 A1	1/2009	Murray	
7,703,619 B2	4/2010	Van Puijenbroek		2011/0064338 A1	3/2011	Surdziel	
D619,906 S	7/2010	Carignan et al.		2013/0008134 A1	1/2013	Kim et al.	
7,803,417 B2	9/2010	Whited et al.		2013/0139473 A1	6/2013	Beer	
D625,613 S *	10/2010	Cowan-Hughes	D9/703	2014/0254955 A1 *	9/2014	Alieri	B65D 33/004 383/5

* cited by examiner

Fig. 1

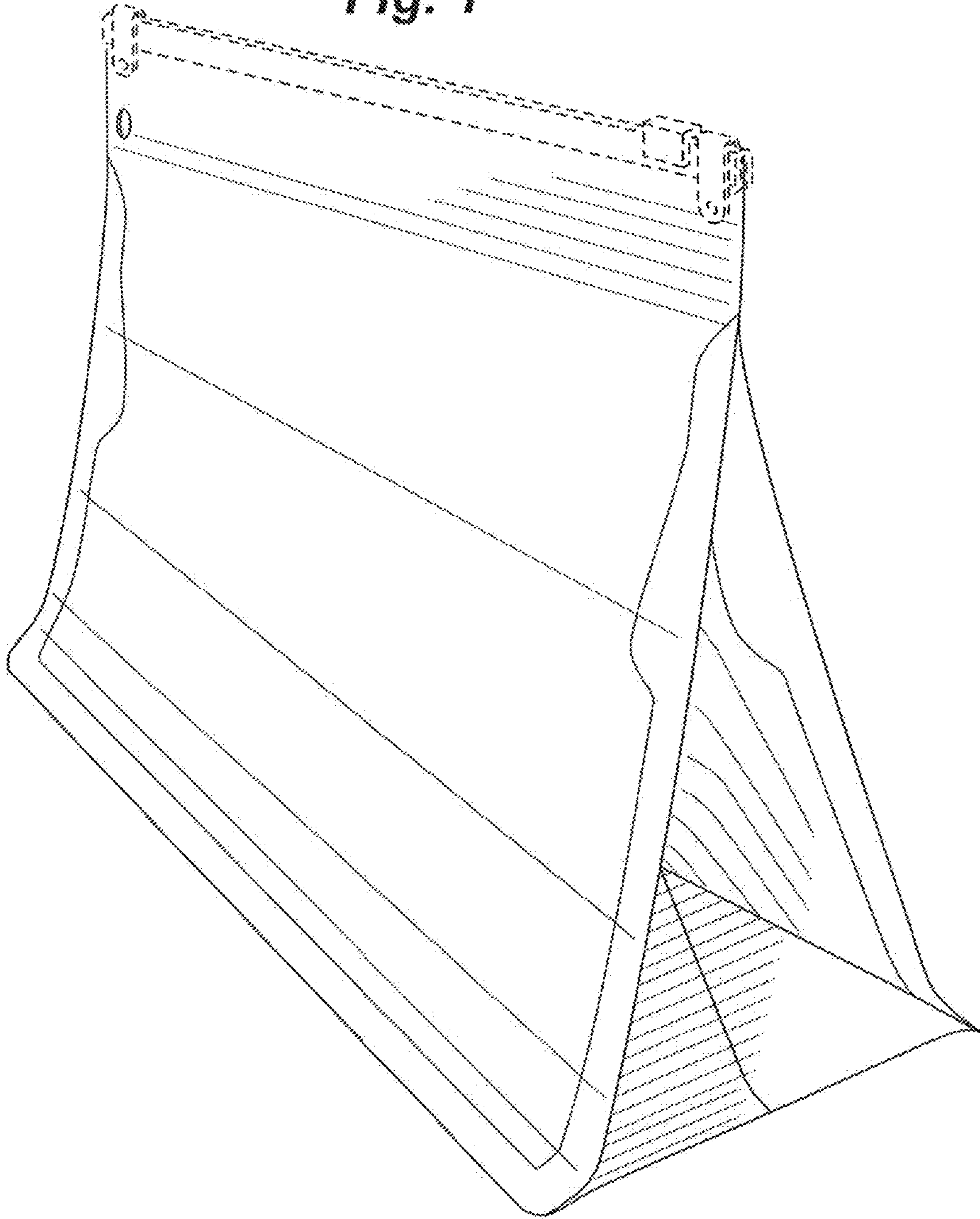


Fig. 2

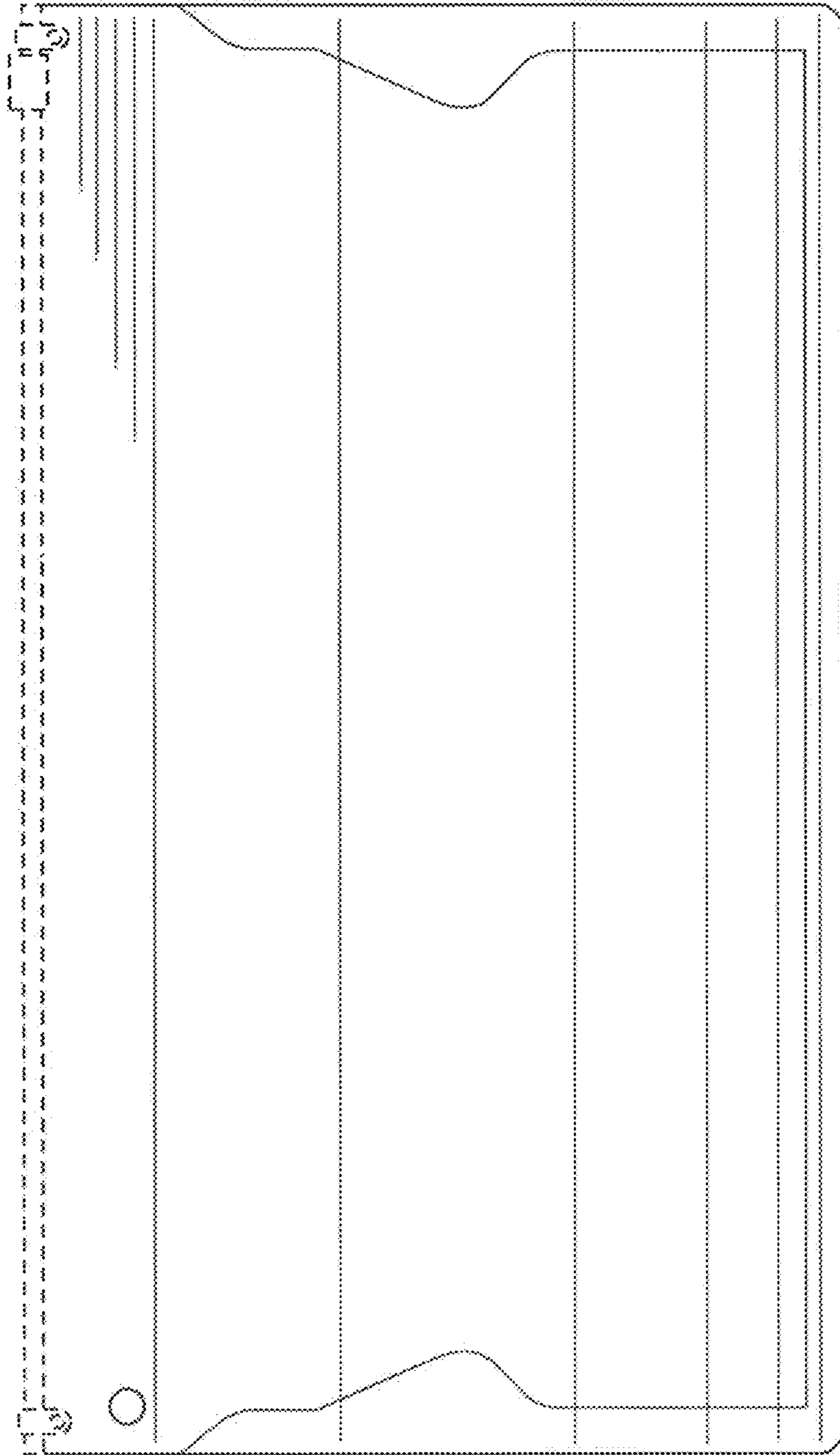


Fig. 3

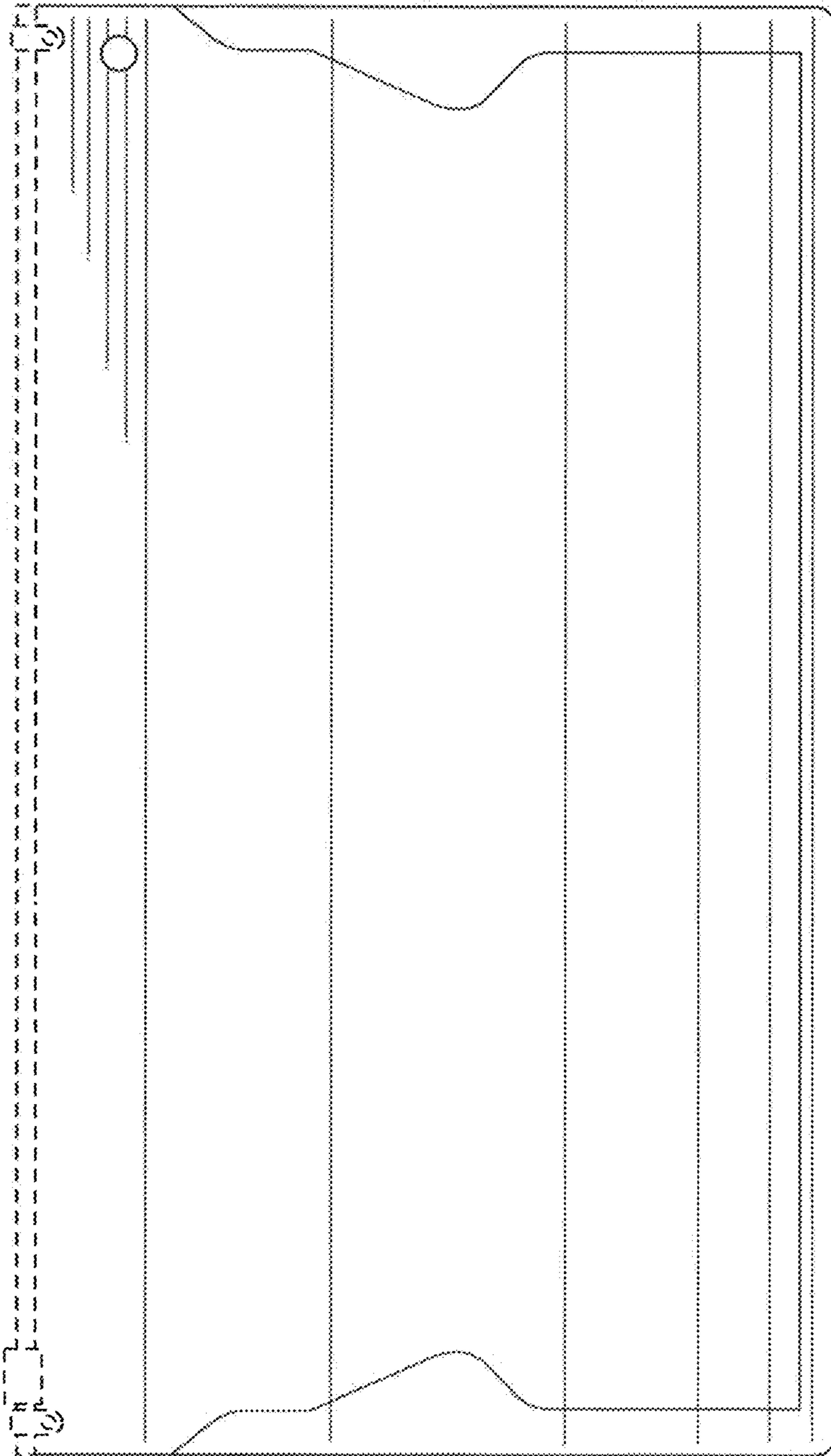


Fig. 5

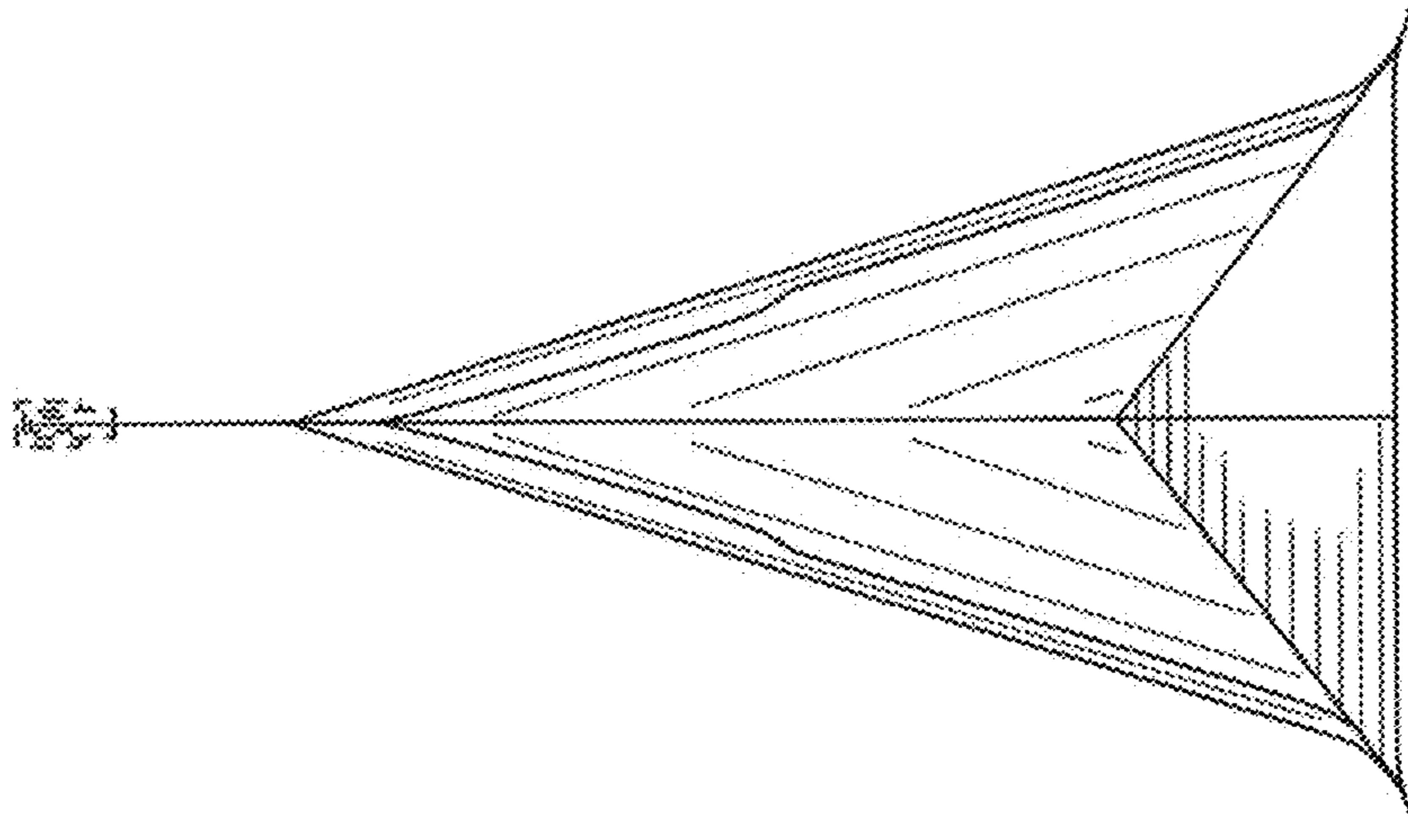


Fig. 4

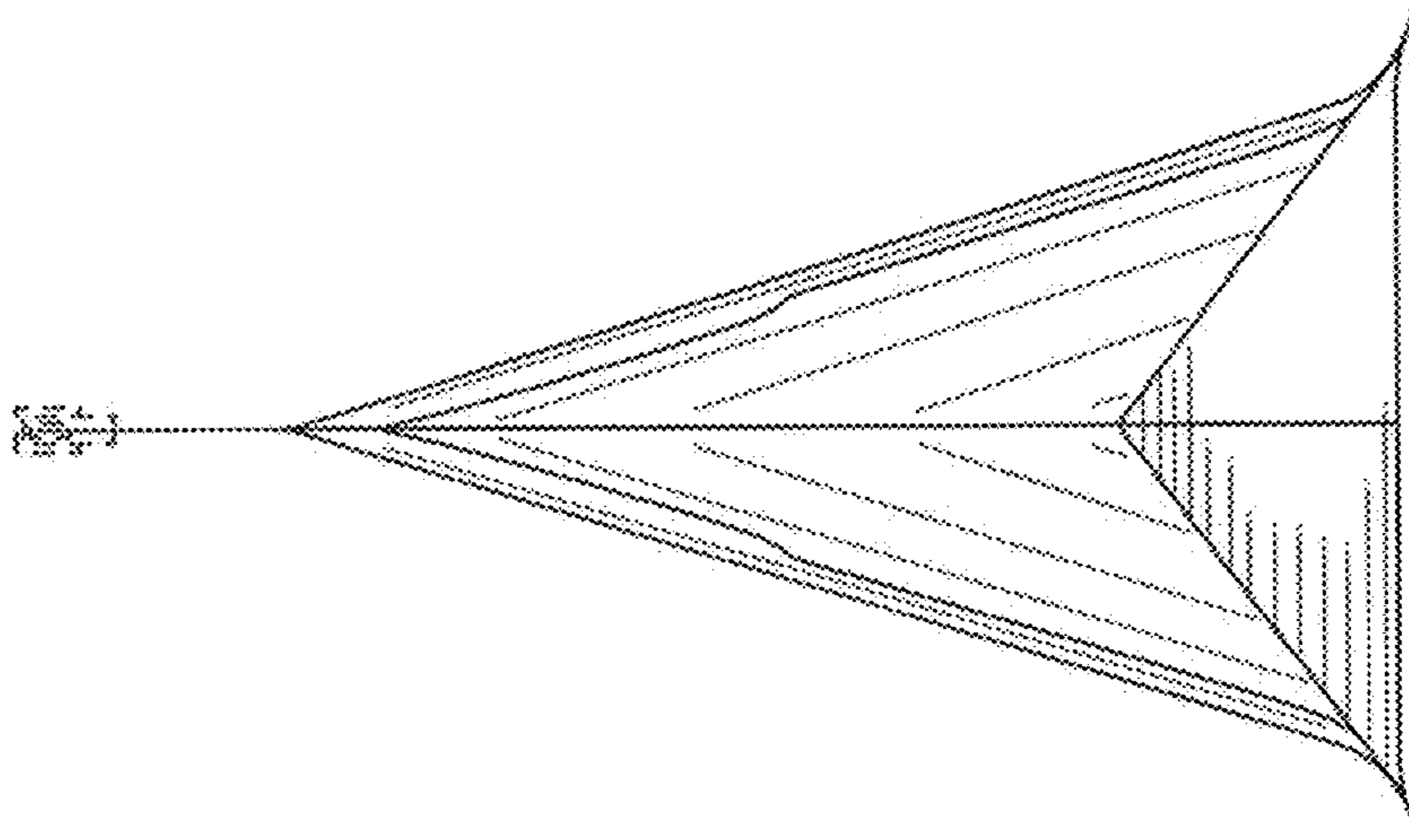


Fig. 6

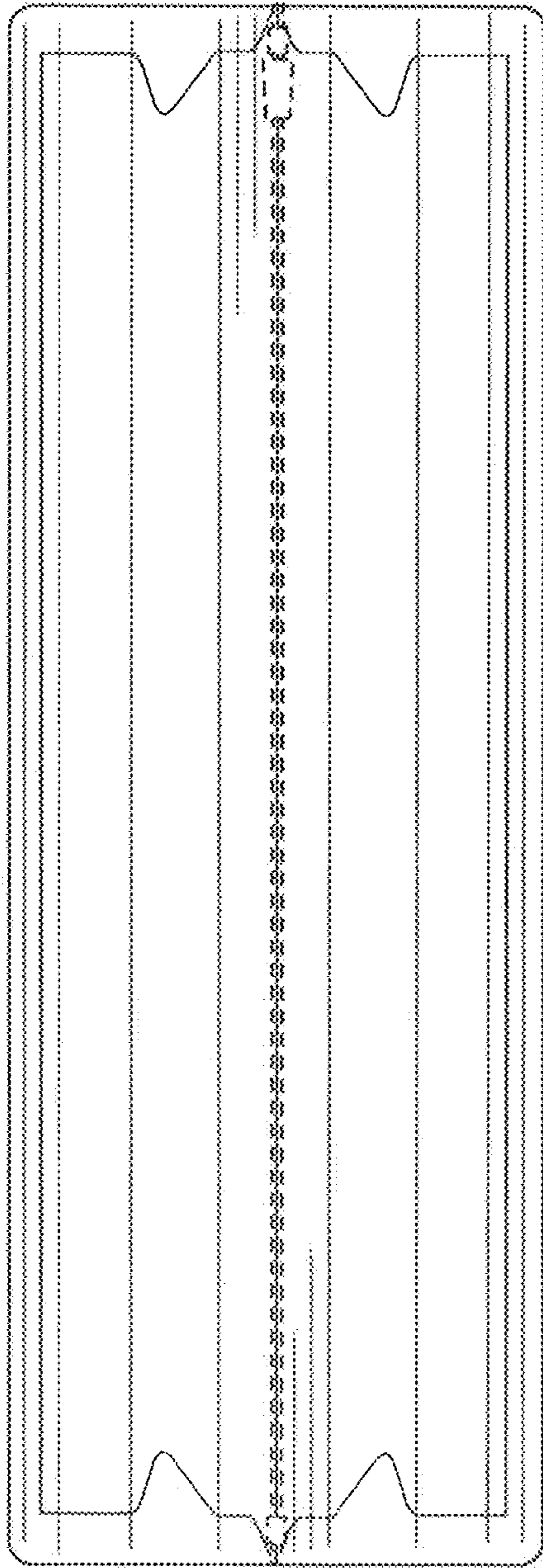


Fig. 7

