



US00D814182S

(12) **United States Design Patent**
Haarburger

(10) **Patent No.:** **US D814,182 S**

(45) **Date of Patent:** **** Apr. 3, 2018**

(54) **CARD HOLDER**

(71) Applicant: **NITE IZE, INC.**, Boulder, CO (US)

(72) Inventor: **Daniel Haarburger**, Boulder, CO (US)

(73) Assignee: **Nite Ize, Inc.**, Boulder, CO (US)

(**) Term: **15 Years**

(21) Appl. No.: **29/589,810**

(22) Filed: **Jan. 4, 2017**

Related U.S. Application Data

(63) Continuation-in-part of application No. 15/230,105, filed on Aug. 5, 2016.

(51) **LOC (11) Cl.** **03-01**

(52) **U.S. Cl.**
USPC **D3/247**

(58) **Field of Classification Search**
USPC D3/247, 249–253
CPC A45C 11/00
See application file for complete search history.

(56) **References Cited**

U.S. PATENT DOCUMENTS

D345,860 S * 4/1994 Lacy D3/247
D377,808 S * 2/1997 Coe D19/65

D547,062 S * 7/2007 Chang D3/247
D584,049 S * 1/2009 Uzelac D3/247
D611,249 S * 3/2010 Uzelac D3/247
D628,796 S * 12/2010 Uzelac D3/247
D657,557 S * 4/2012 Deinert D3/247
D724,841 S * 3/2015 Schneider D3/247

* cited by examiner

Primary Examiner — Holly H Baynham

(74) *Attorney, Agent, or Firm* — Haynes and Boone, LLP;
Robert P. Ziemian

(57) **CLAIM**

The ornamental design for the card holder, as shown and described.

DESCRIPTION

FIG. 1 shows a front perspective view of a card holder; FIG. 2 shows a rear perspective view of the card holder of FIG. 1; FIG. 3 shows a front view of the card holder of FIG. 1; FIG. 4 shows a rear view of the card holder of FIG. 1; FIG. 5 shows a right side view of the card holder of FIG. 1; FIG. 6 shows a left side view of the card holder of FIG. 1; FIG. 7 shows a bottom view of the card holder of FIG. 1; and, FIG. 8 shows a top view of the card holder of FIG. 1.

1 Claim, 5 Drawing Sheets

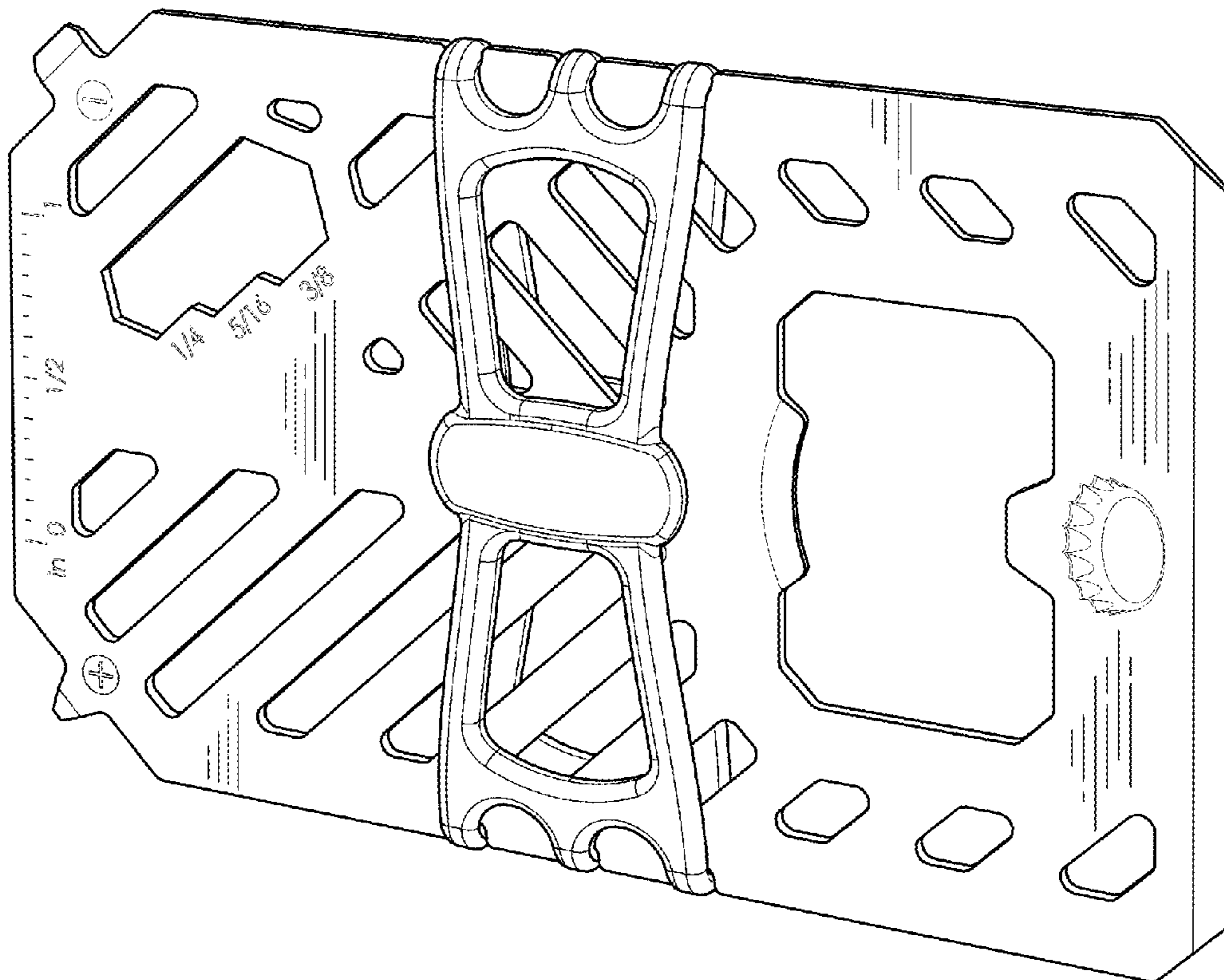


FIG. 1

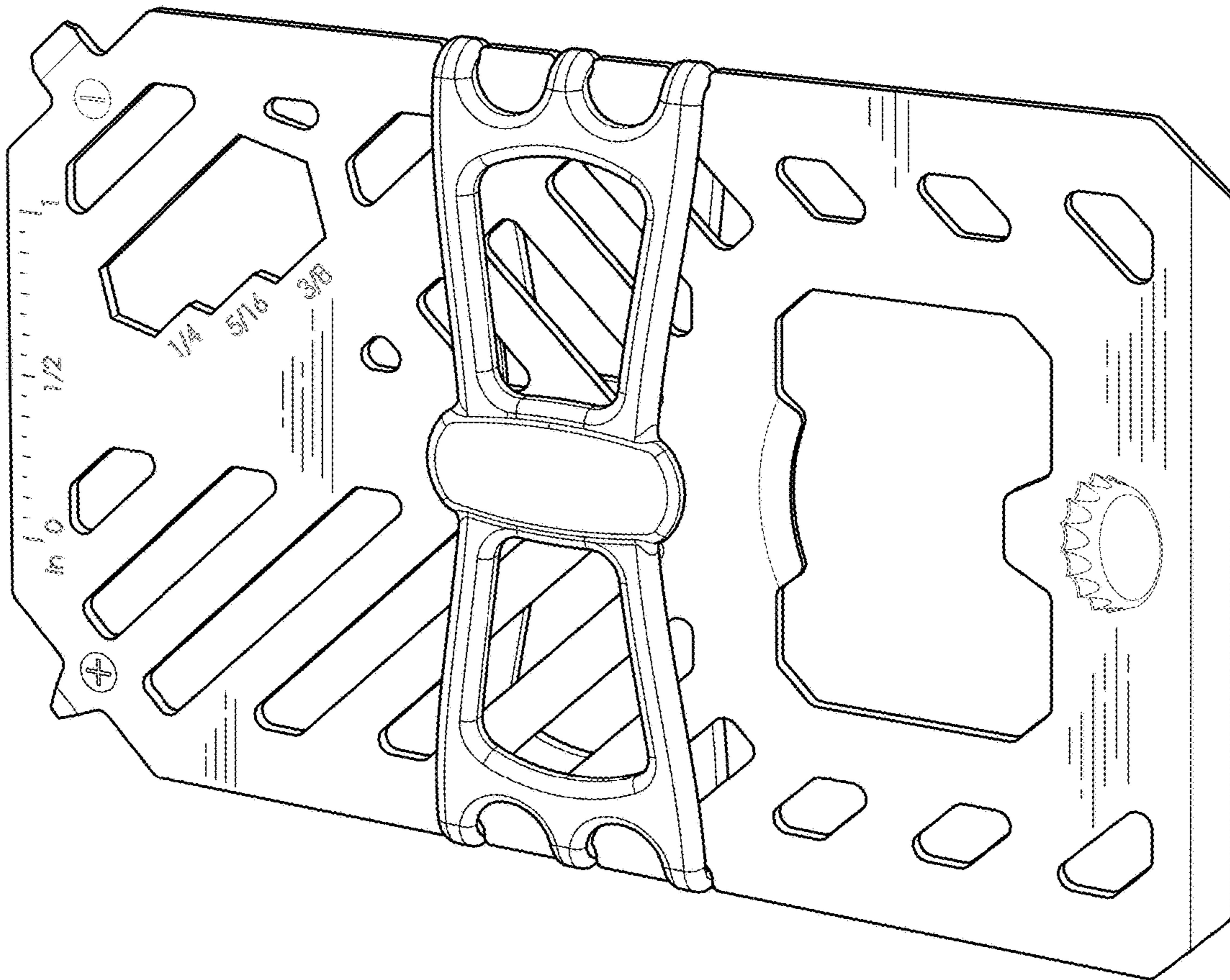


FIG. 2

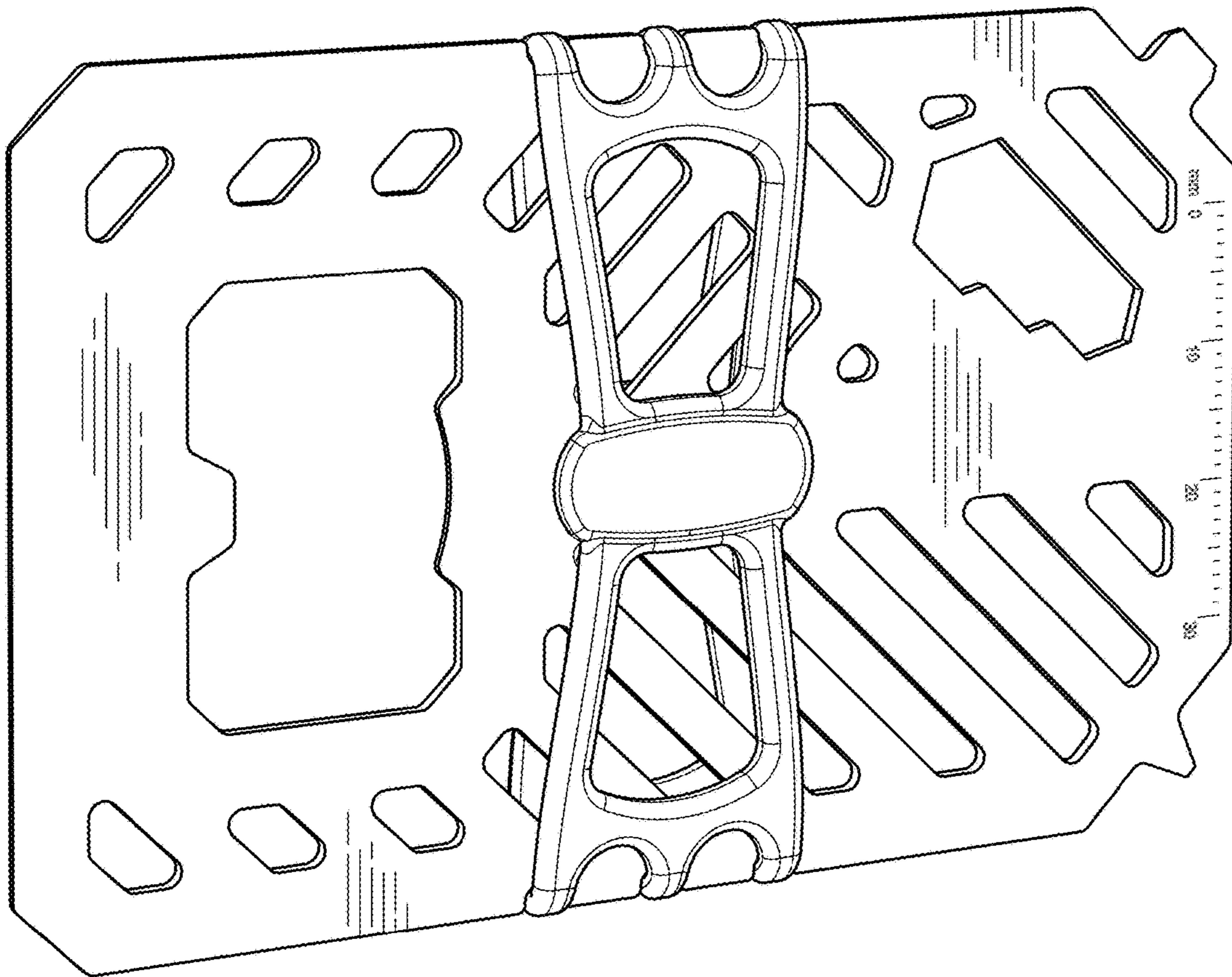


FIG. 3

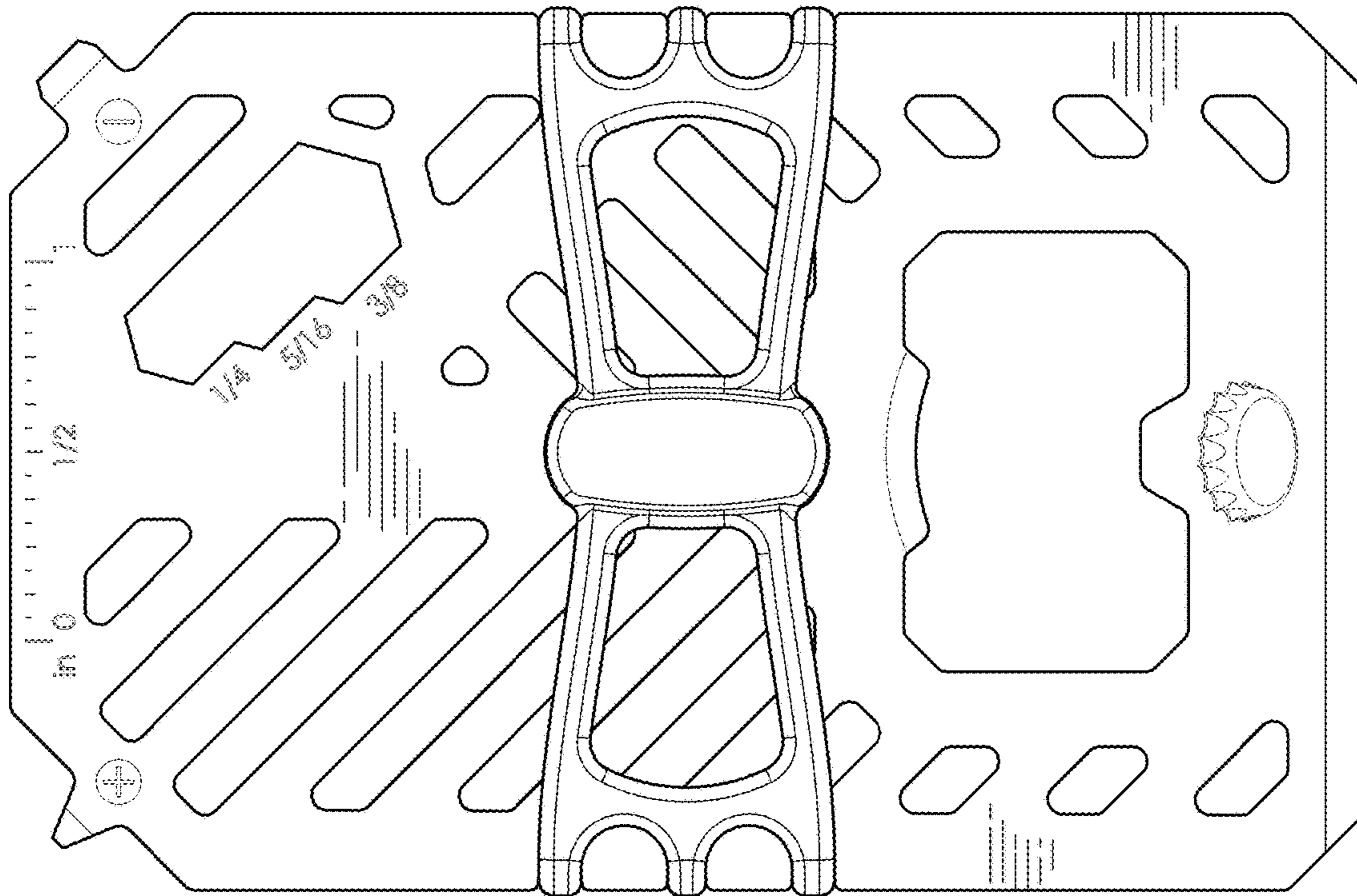


FIG. 4

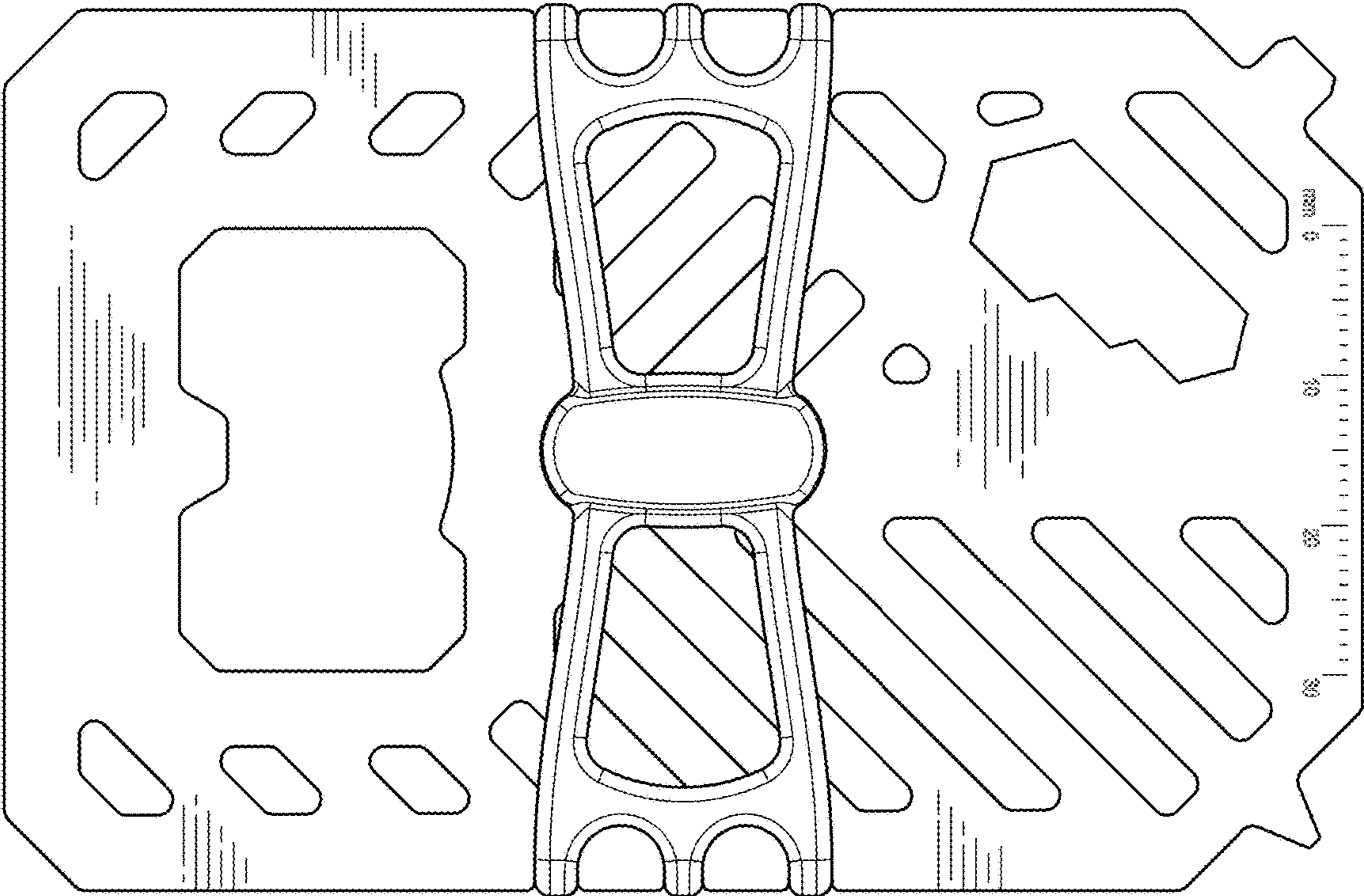


FIG. 5

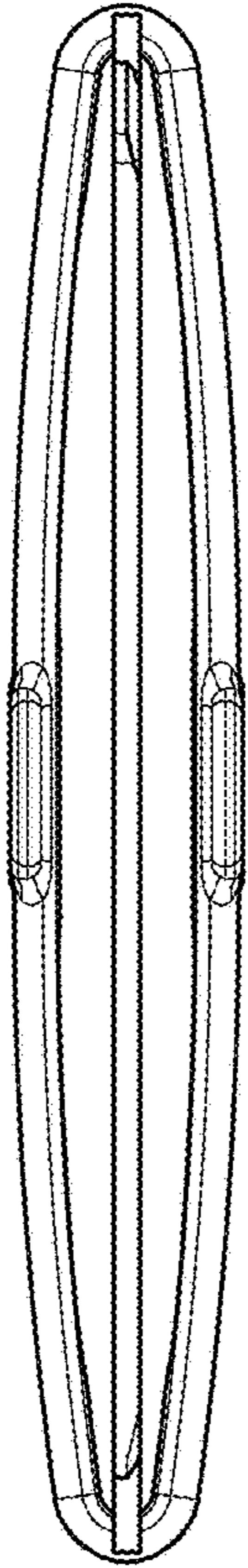


FIG. 6

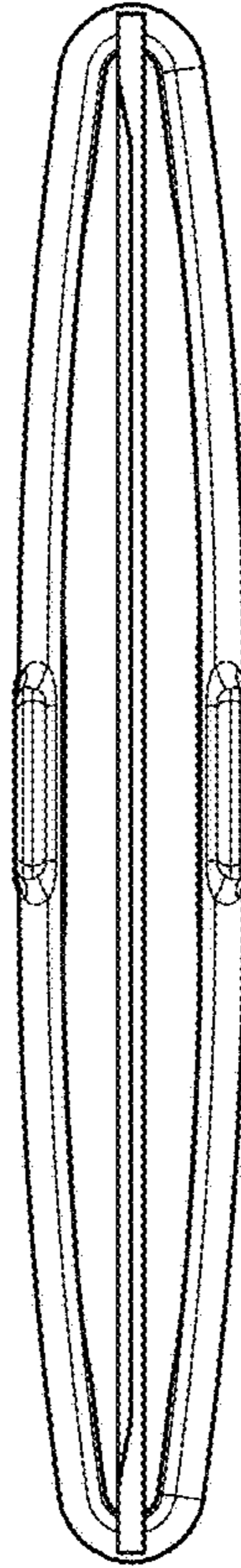


FIG. 7

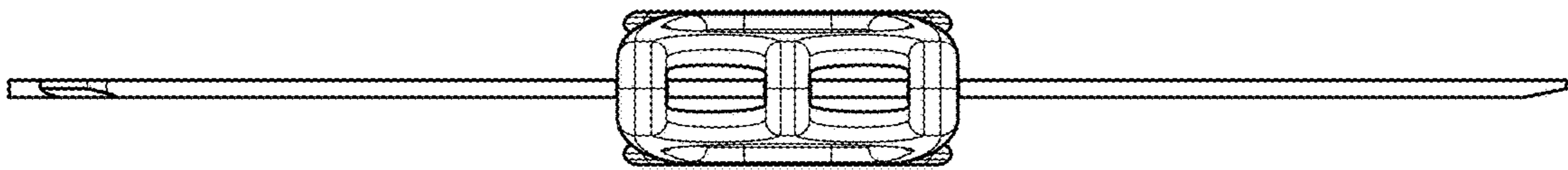


FIG. 8

