



US00D814166S

(12) **United States Design Patent** (10) **Patent No.:** **US D814,166 S**  
**Beckett** (45) **Date of Patent:** **\*\* Apr. 3, 2018**

(54) **SANDAL UPPER**  
(71) Applicant: **IMPO INTERNATIONAL LLC**,  
Santa Maria, CA (US)  
(72) Inventor: **H. Rodney Beckett**, Pismo Beach, CA  
(US)  
(73) Assignee: **IMPO INTERNATIONAL LLC**,  
Santa Maria, CA (US)  
(\*\*) Term: **15 Years**  
(21) Appl. No.: **29/604,975**  
(22) Filed: **May 22, 2017**  
(51) **LOC (11) Cl.** ..... **02-04**  
(52) **U.S. Cl.**  
USPC ..... **D2/971; D2/916**  
(58) **Field of Classification Search**  
USPC ..... D2/896-900, 903, 916-925, 943, 946,  
D2/969, 971, 976  
CPC ..... A43B 3/12; A43B 3/122  
See application file for complete search history.

D130,856 S 12/1941 Sobel  
D131,160 S 1/1942 Grossmann  
D131,839 S 3/1942 Elkin  
D136,408 S 9/1943 Gleason  
2,367,092 A 1/1945 Blotner  
2,390,685 A 12/1945 Benson  
D158,331 S 4/1950 Sandler  
D158,395 S 5/1950 Liberty  
D158,653 S 5/1950 Fenlason  
D190,163 S 4/1961 Lacek et al.  
D293,963 S 2/1988 Maciel  
D304,126 S 10/1989 Christian et al.  
D371,897 S 7/1996 Bishop  
D418,280 S 1/2000 Kieler  
D437,475 S 2/2001 Kieler  
D456,123 S 4/2002 Powell  
D487,183 S 3/2004 Cumeau  
D489,517 S 5/2004 Comeau  
D527,880 S 9/2006 Choi  
D530,489 S 10/2006 Comeau  
(Continued)

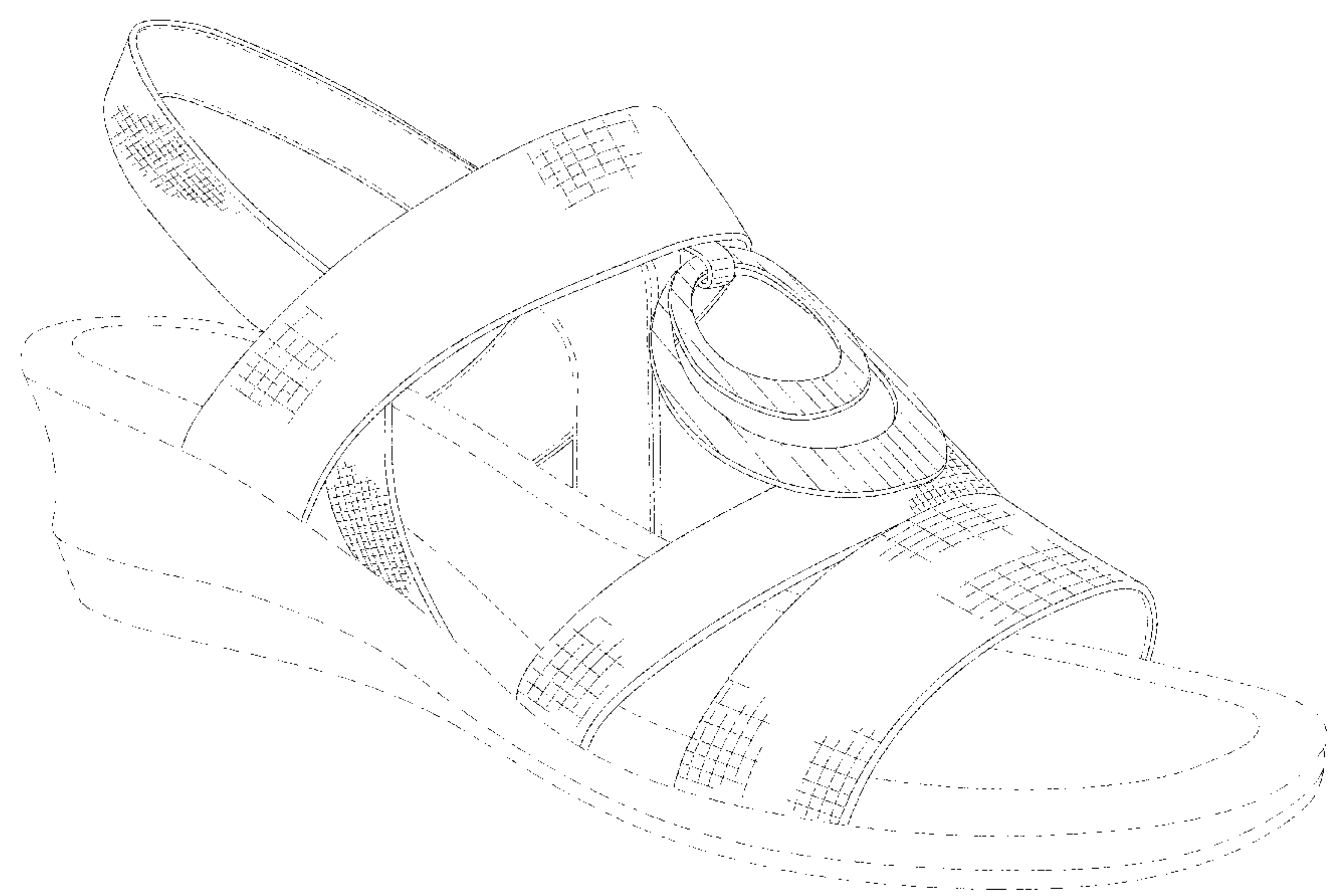
*Primary Examiner* — Holly H Baynham  
*Assistant Examiner* — Rashida C. Walshon  
(74) *Attorney, Agent, or Firm* — Lewis Roca Rothgerber  
Christie LLP

(57) **CLAIM**  
The ornamental design for sandal upper, as shown and  
described.

**DESCRIPTION**  
FIG. 1 is a perspective view of a sandal upper showing my  
new design;  
FIG. 2 is a right side view thereof;  
FIG. 3 is a left side view thereof;  
FIG. 4 is a top view thereof;  
FIG. 5 is a front view thereof; and,  
FIG. 6 is a rear view thereof.  
The broken lines illustrating the sole form no part of the  
claim.

**1 Claim, 5 Drawing Sheets**

(56) **References Cited**  
U.S. PATENT DOCUMENTS  
D35,490 S 12/1901 Hatheway  
1,463,672 A 7/1923 Carrington  
D62,905 S 8/1923 Hamilton  
D83,963 S 4/1931 Gilbert  
D86,393 S 3/1932 Miller  
1,864,254 A 6/1932 Meyer  
D94,034 S 12/1934 Koomruian  
D95,540 S 5/1935 Perugia  
D99,809 S 5/1936 Hyatt  
D99,830 S 5/1936 Shapiro  
D102,625 S 1/1937 Turiansky  
2,090,675 A 8/1937 Hadaway  
D106,077 S 9/1937 Wolock  
D118,617 S 1/1940 Delman



(56)

**References Cited**

U.S. PATENT DOCUMENTS

D536,863	S	2/2007	Choi	
D599,096	S *	9/2009	Issler .....	D2/971
D599,098	S	9/2009	Issler	
D599,541	S *	9/2009	Issler .....	D2/971
D601,787	S	10/2009	Guers-Neyraud	
D604,492	S *	11/2009	Issler .....	D2/925
D604,493	S *	11/2009	Issler .....	D2/925
D604,936	S	12/2009	Guers-Neyraud	
D622,045	S *	8/2010	Issler .....	D2/971
D632,060	S	2/2011	Kieler	
D647,691	S	11/2011	Beckett	
D656,725	S	4/2012	Issler	
D672,121	S	12/2012	Beckett	
D672,122	S	12/2012	Beckett	
D673,764	S *	1/2013	Weitzman .....	D2/971
D711,075	S *	8/2014	Issler .....	D2/916
D730,029	S *	5/2015	Issler .....	D2/933
D734,016	S	7/2015	Beckett	
D760,485	S *	7/2016	Issler .....	D2/971
D761,546	S *	7/2016	Issler .....	D2/971

\* cited by examiner

FIG. 1

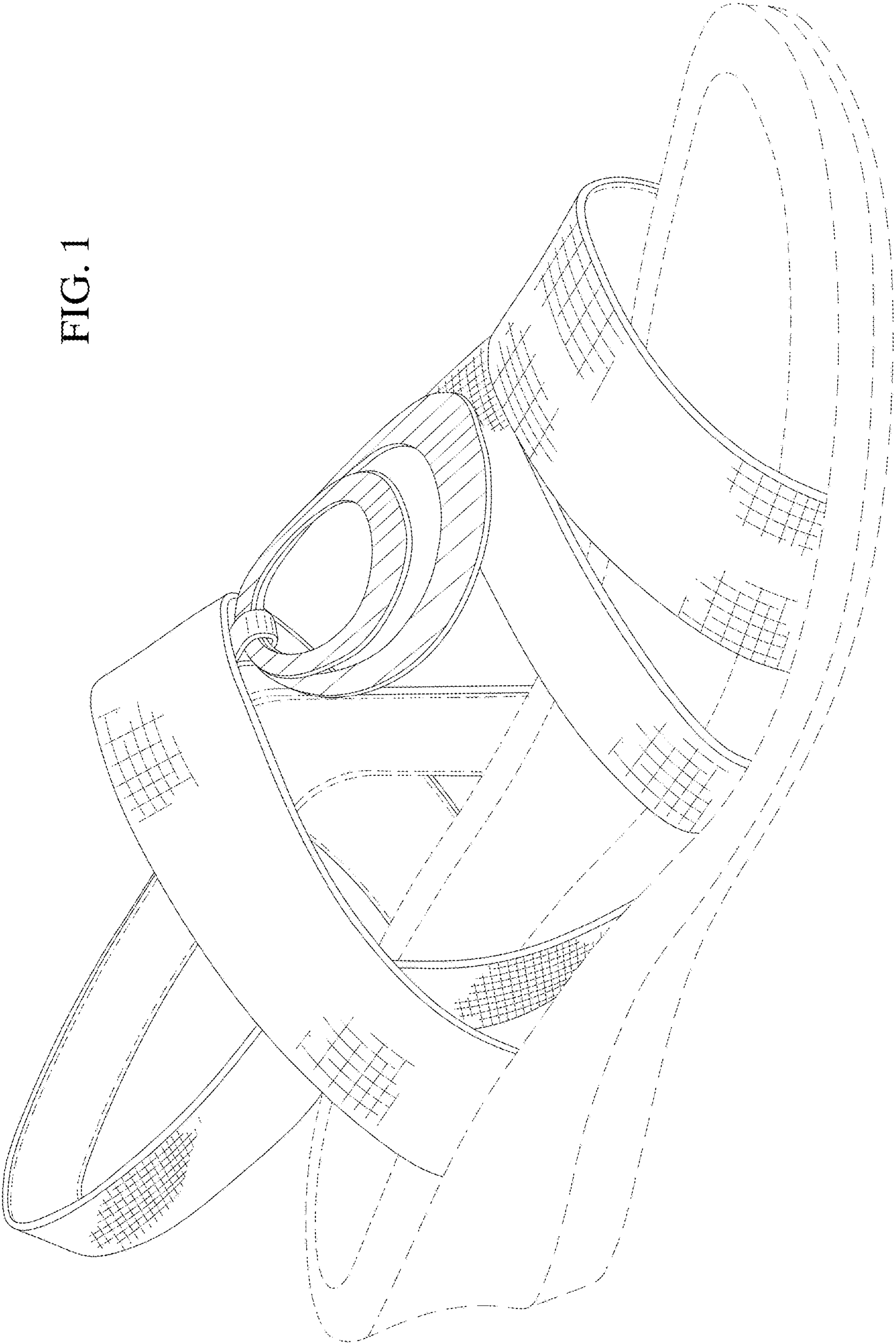


FIG. 2

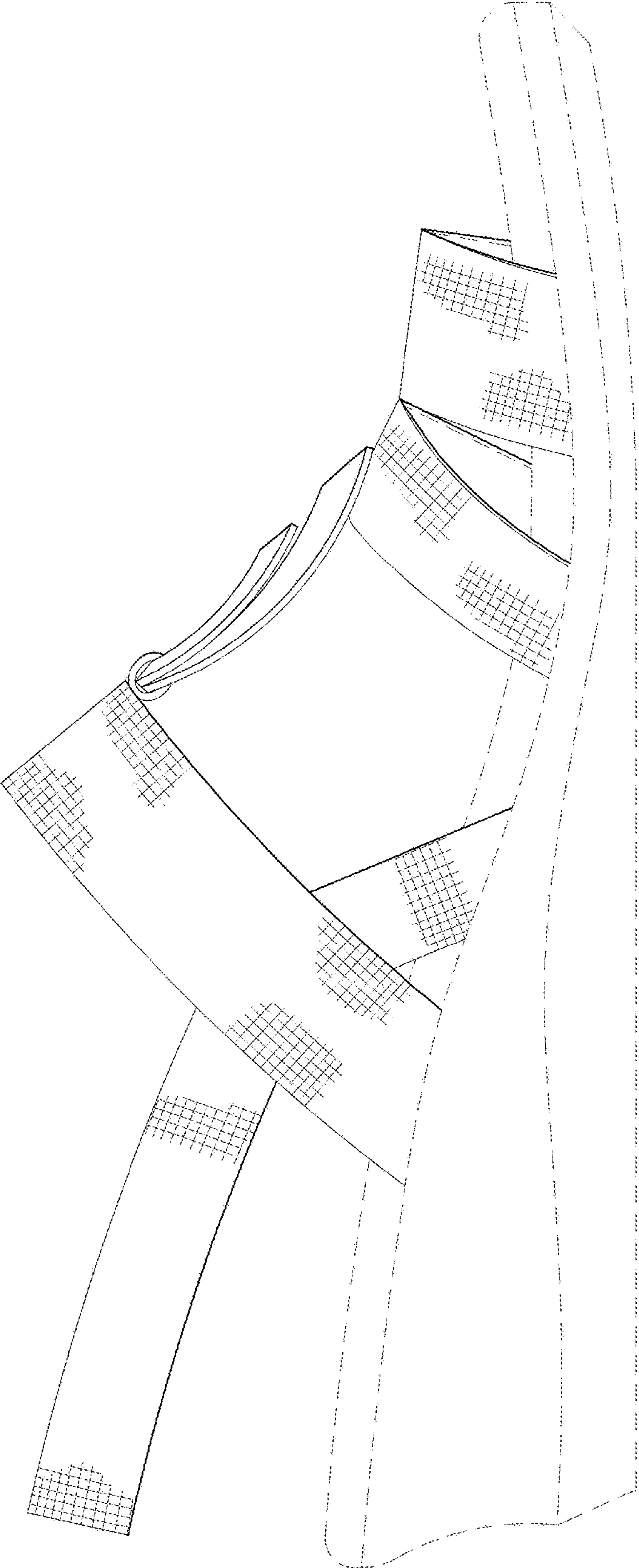




FIG. 3

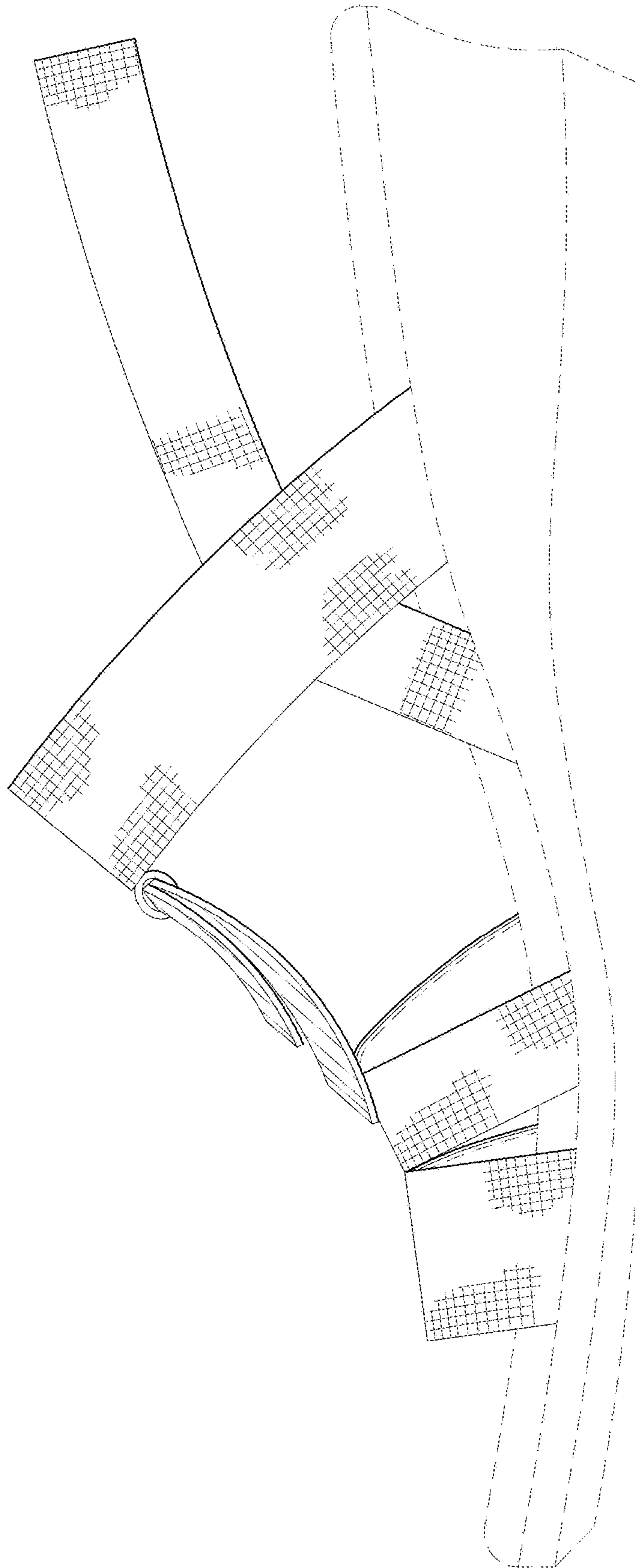


FIG. 4

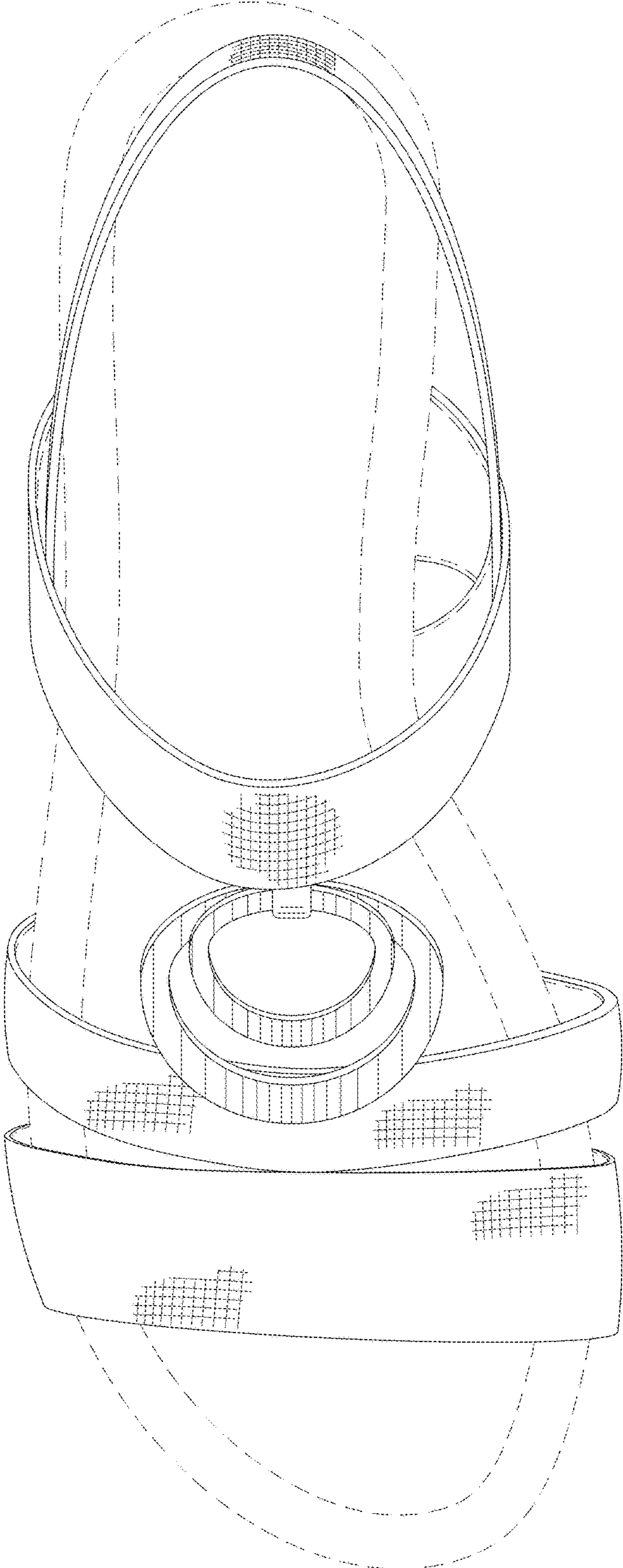


FIG. 6

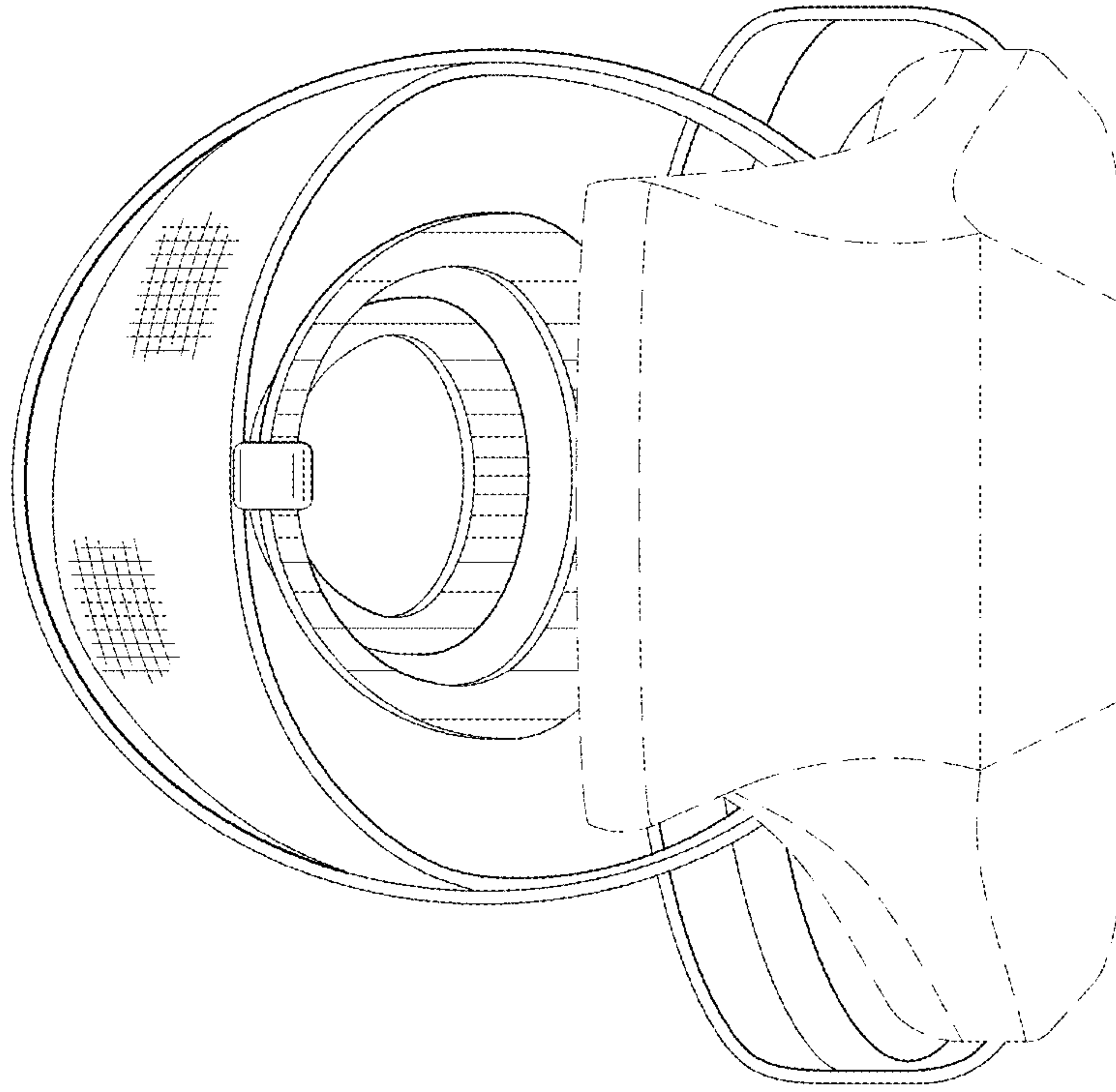


FIG. 5

