



US00D814163S

(12) **United States Design Patent** (10) **Patent No.:** **US D814,163 S**
Issler (45) **Date of Patent:** **** Apr. 3, 2018**

(54) **UPPER FOR A SHOE**
(71) Applicant: **David C. Issler**, Andover, MA (US)
(72) Inventor: **David C. Issler**, Andover, MA (US)
(**) Term: **15 Years**

D108,333 S * 2/1938 Levine D2/931
D279,326 S * 6/1985 Foldes D2/916
D439,398 S * 3/2001 Dean D2/916
D690,921 S * 10/2013 Issler D2/971
D690,922 S * 10/2013 Issler D2/971
D708,823 S * 7/2014 Katz D2/916
D730,029 S * 5/2015 Issler D2/933
D792,079 S * 7/2017 Negri D2/971

(21) Appl. No.: **29/570,184**

* cited by examiner

(22) Filed: **Jul. 6, 2016**

Primary Examiner — Dominic Simone

(51) **LOC (11) Cl.** **02-99**

(52) **U.S. Cl.**
USPC **D2/971**

(57) **CLAIM**

(58) **Field of Classification Search**
USPC D2/896, 900, 916–918, 925–942, 969,
D2/971

The ornamental design for an upper for a shoe, as shown and described.

CPC A43B 21/00; A43B 21/02; A43B 21/06;
A43B 9/14; A43B 1/0045; A43B 13/10;
A43B 13/12; A43B 23/06; A43B 23/07;
A43B 1/0036; A43B 5/12; A43B 3/248;
A43B 9/02; A43B 13/122; A43B 13/14;
A43B 3/108

DESCRIPTION

See application file for complete search history.

FIG. 1 is a perspective view of an upper for a shoe in accordance with my new design;
FIG. 2 is a top view thereof;
FIG. 3 is a right view thereof;
FIG. 4 is a left view thereof;
FIG. 5 is a front view thereof; and,
FIG. 6 is a rear view thereof.

The broken lines shown in all of the figures are for environmental purposes and form no part of the claim.

(56) **References Cited**

U.S. PATENT DOCUMENTS

D88,777 S * 12/1932 Graves D2/918
D99,238 S * 4/1936 Golden D2/900

1 Claim, 6 Drawing Sheets



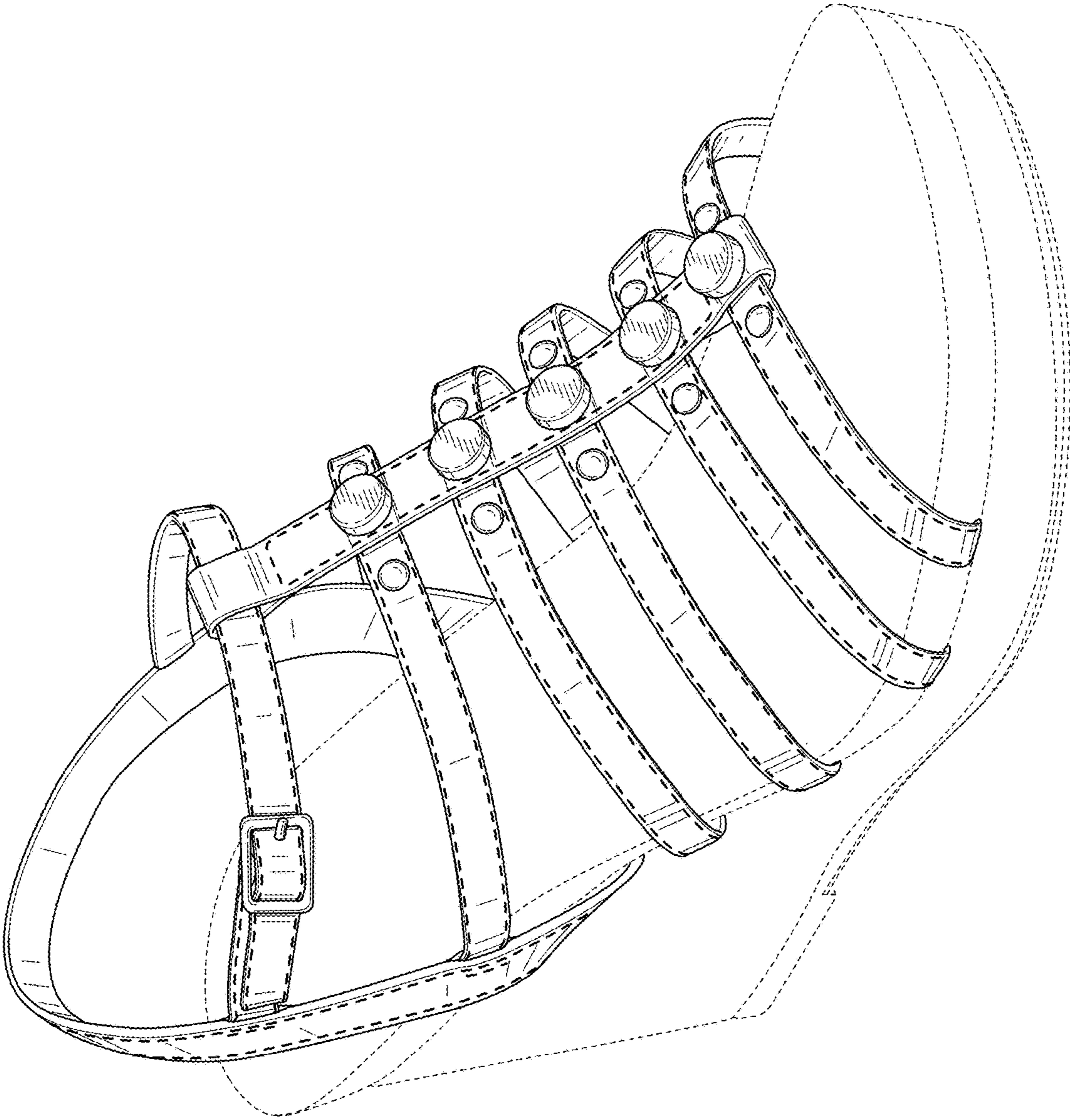


FIG. 1

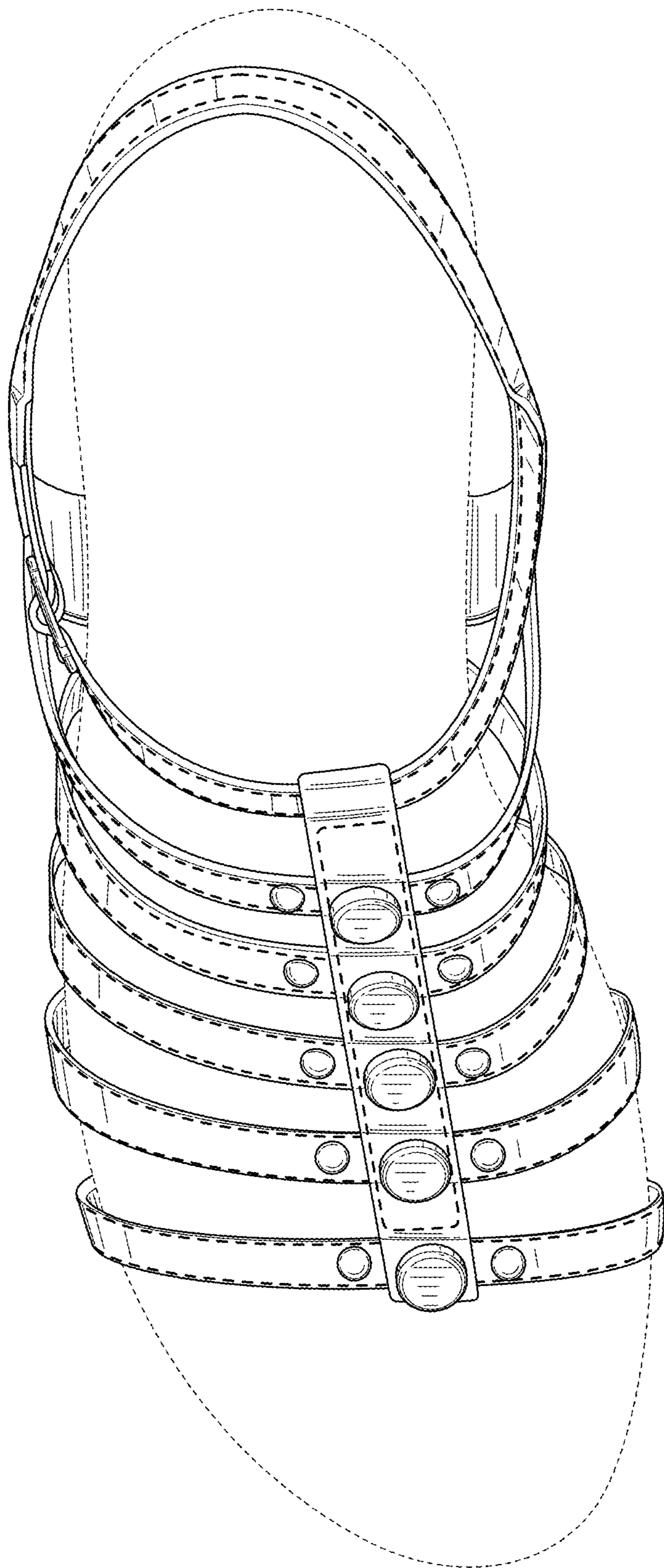


FIG. 2

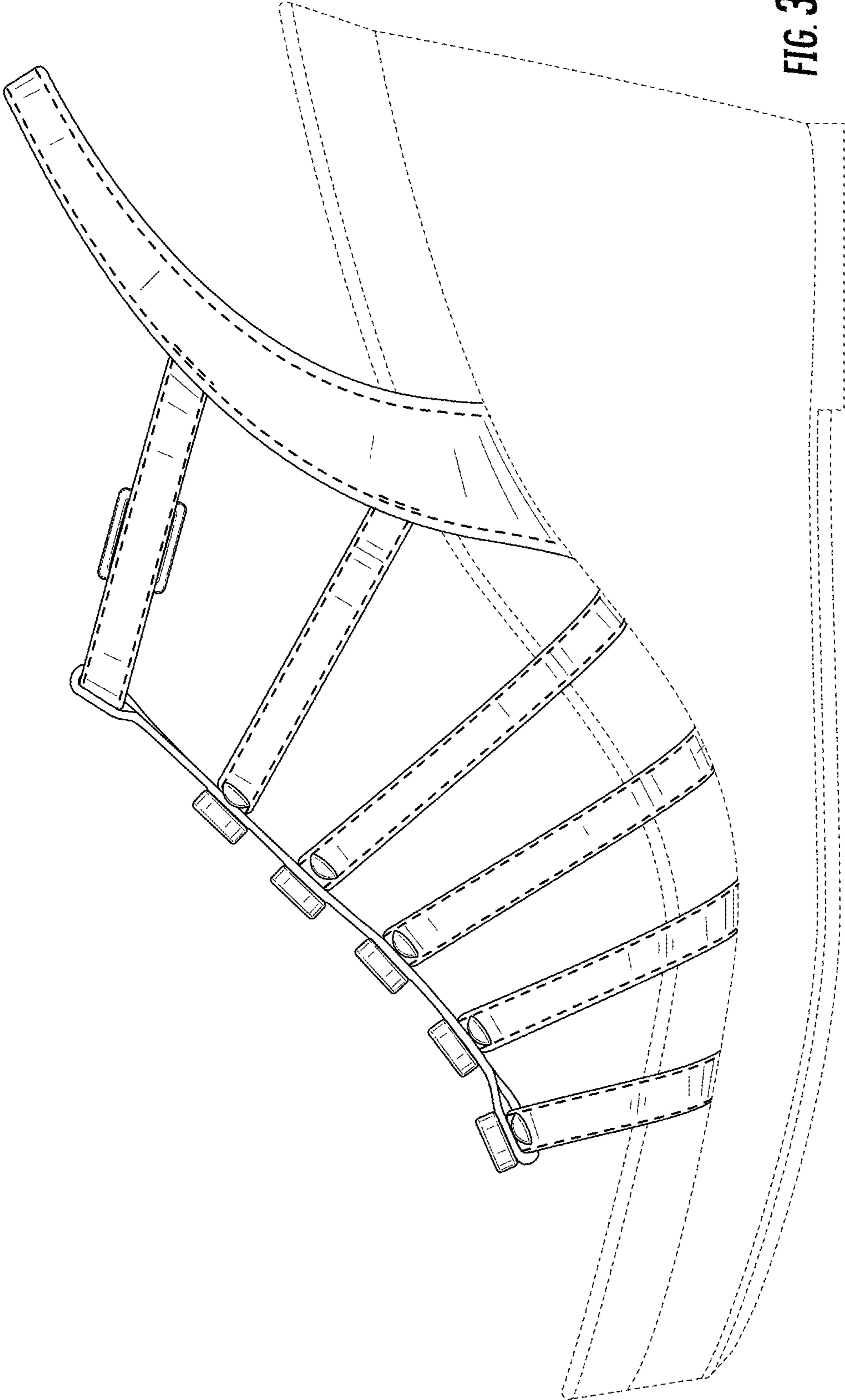


FIG. 3

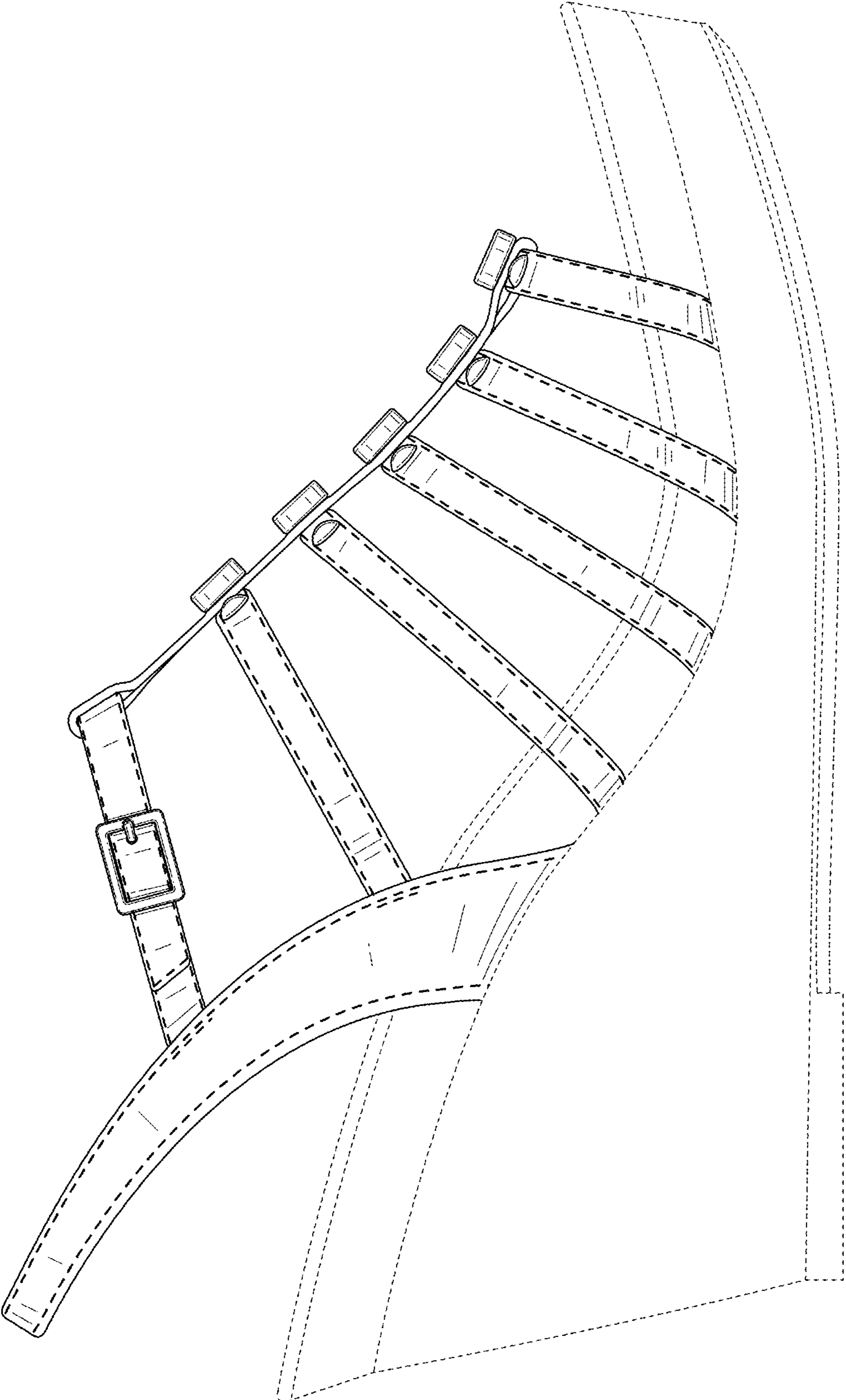


FIG. 4

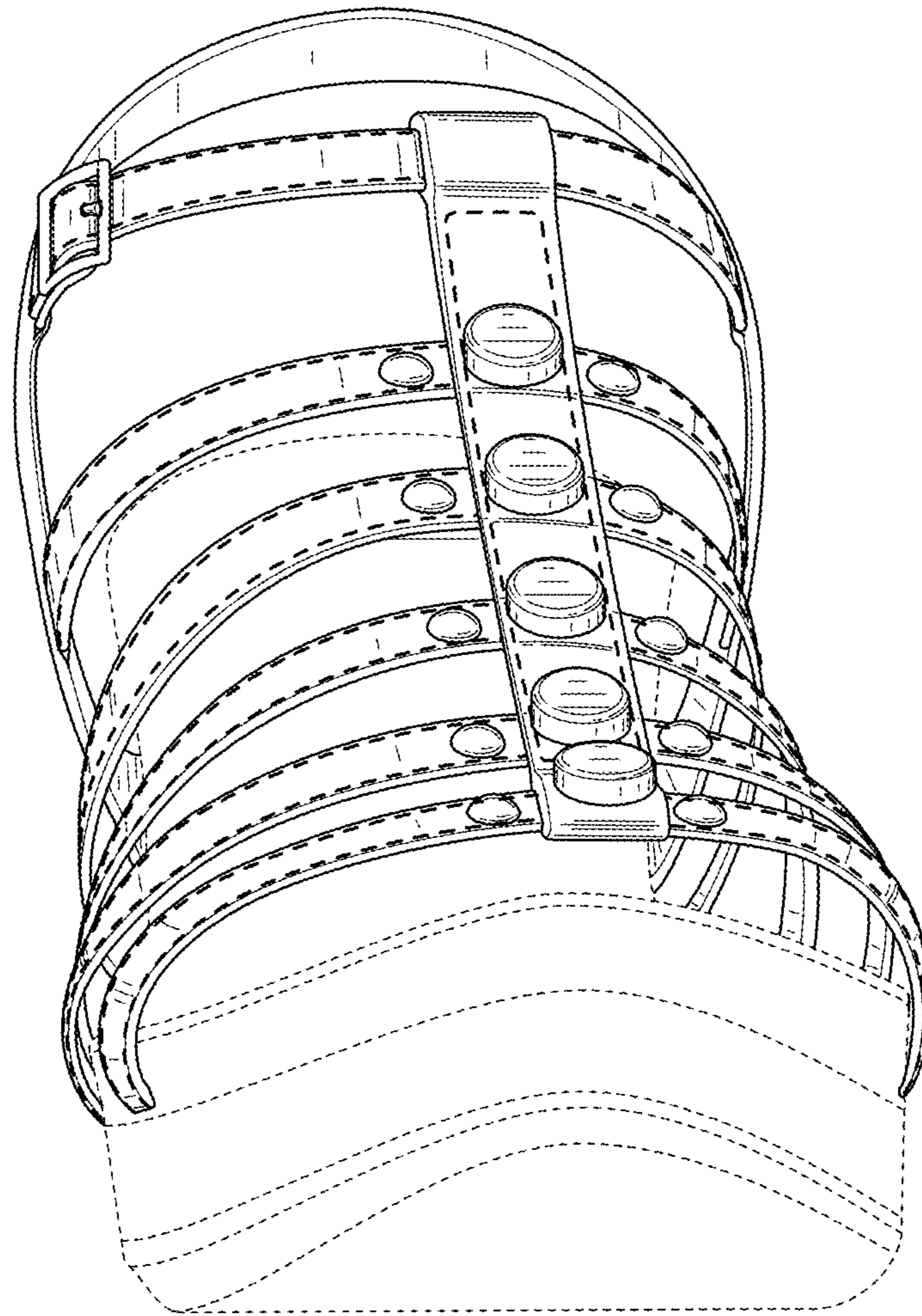


FIG. 5

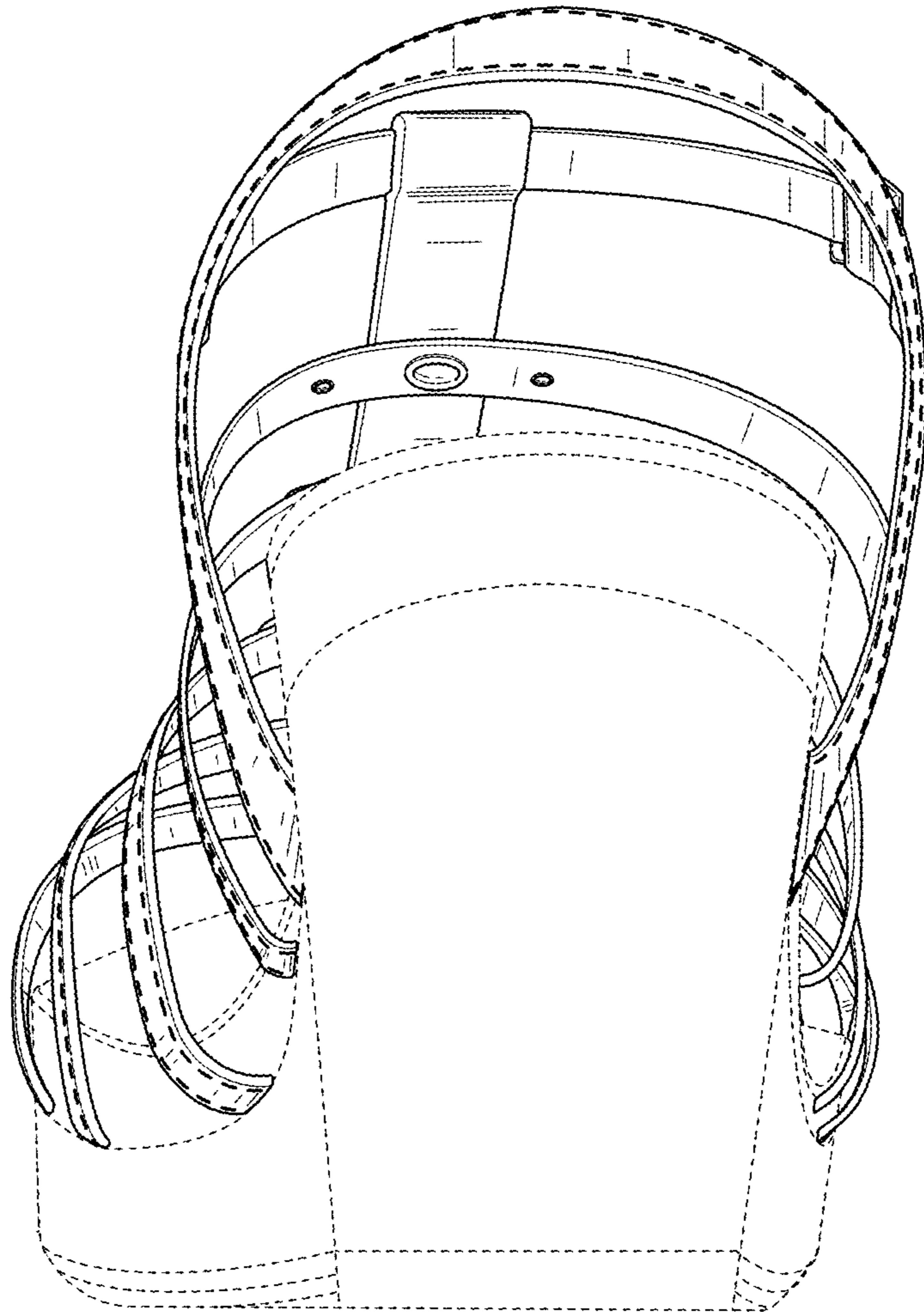


FIG. 6