



US00D814152S

(12) **United States Design Patent**
De Nubbio

(10) **Patent No.:** **US D814,152 S**

(45) **Date of Patent:** **** Apr. 3, 2018**

(54) **FOOTWEAR**

(71) Applicant: **J. Choo Limited**, London (GB)

(72) Inventor: **Adolfo De Nubbio**, London (GB)

(73) Assignee: **J. Choo Limited**, London (GB)

(**) Term: **15 Years**

(21) Appl. No.: **29/584,566**

(22) Filed: **Nov. 15, 2016**

(30) **Foreign Application Priority Data**

May 16, 2016 (EM) 003130723

(51) **LOC (11) Cl.** **02-04**

(52) **U.S. Cl.**
USPC **D2/930**

(58) **Field of Classification Search**
USPC D2/896, 925-942, 971
CPC A43B 21/00; A43B 21/02; A43B 21/06;
A43B 9/14; A43B 1/0045; A43B 13/10;
A43B 13/12; A43B 23/06; A43B 23/07;
A43B 1/0036; A43B 5/12
See application file for complete search history.

(56) **References Cited**

U.S. PATENT DOCUMENTS

D82,514 S	11/1930	Monsch	
1,795,769 A *	3/1931	Frohman	A43B 1/06 D2/930
D84,254 S *	5/1931	Miller	D2/930
D91,531 S *	2/1934	Morali	D2/930
D91,534 S *	2/1934	Morali	D2/930
D91,535 S *	2/1934	Morali	D2/932
D92,064 S *	4/1934	DeLiso	D2/934
D92,763 S *	7/1934	Miller	D2/930
1,977,995 A	10/1934	Morali	
D98,503 S *	2/1936	Elkin	D2/930

D101,886 S *	11/1936	Perugia	D2/930
D102,341 S *	12/1936	Stein	D2/930
D102,342 S *	12/1936	Stein	D2/931
D102,343 S *	12/1936	Stein	D2/930
D102,344 S *	12/1936	Stein	D2/931
D102,345 S *	12/1936	Stein	D2/931
D102,346 S *	12/1936	Stein	D2/931
D108,481 S *	2/1938	Parker	D2/930
D129,120 S *	8/1941	Faie	D2/927
D131,064 S *	1/1942	Julianelli	D2/940
D131,119 S *	1/1942	Hirshorn	D2/922
D131,170 S *	1/1942	Wolock	D2/932
D131,543 S *	3/1942	Vivier	D2/927
D133,282 S *	8/1942	Lee	D2/942

(Continued)

OTHER PUBLICATIONS

Shoe, printed from Saksfifthavenue.com on Dec. 6, 2004.

Primary Examiner — Dominic V Simone
(74) *Attorney, Agent, or Firm* — Fross Zelnick Lehrman & Zissu, P.C.; Lawrence E. Apolzon, Esq.

(57) **CLAIM**

The ornamental design for footwear, as shown and described.

DESCRIPTION

FIG. 1 is a front perspective view of footwear showing my new design;
FIG. 2 is a left side view of the footwear shown in FIG. 1;
FIG. 3 is a right side view of the footwear shown in FIG. 1;
FIG. 4 is a front view of the footwear shown in FIG. 1;
FIG. 5 is a rear view of the footwear shown in FIG. 1; and,
FIG. 6 is a top view of the footwear shown in FIG. 1.
The broken line showing of sole and heel cap in the drawings disclose unclaimed subject matter and form no part of the claimed design.

1 Claim, 6 Drawing Sheets



(56)

References Cited

U.S. PATENT DOCUMENTS

D133,445 S *	8/1942	Suitcliffe	D2/932
D143,810 S *	2/1946	Eisenberg	D2/927
D144,747 S *	5/1946	Vivier	D2/932
D158,389 S *	5/1950	Lakow	D2/971
D525,415 S	7/2006	Kelsey	
D552,338 S	10/2007	Choi et al.	
D583,538 S *	12/2008	Choi	D2/925
D597,285 S *	8/2009	Ringholz	D2/927
D605,393 S *	12/2009	Choi	D2/940
D605,394 S *	12/2009	Guers-Neyraud	D2/971
D609,447 S *	2/2010	Choi	D2/971
D650,982 S *	12/2011	de Lima	D2/971
D655,906 S *	3/2012	Issler	D2/971
D660,565 S *	5/2012	Della Valle	D2/925
D660,569 S *	5/2012	Abramowitz	D2/939

* cited by examiner



FIG. 1

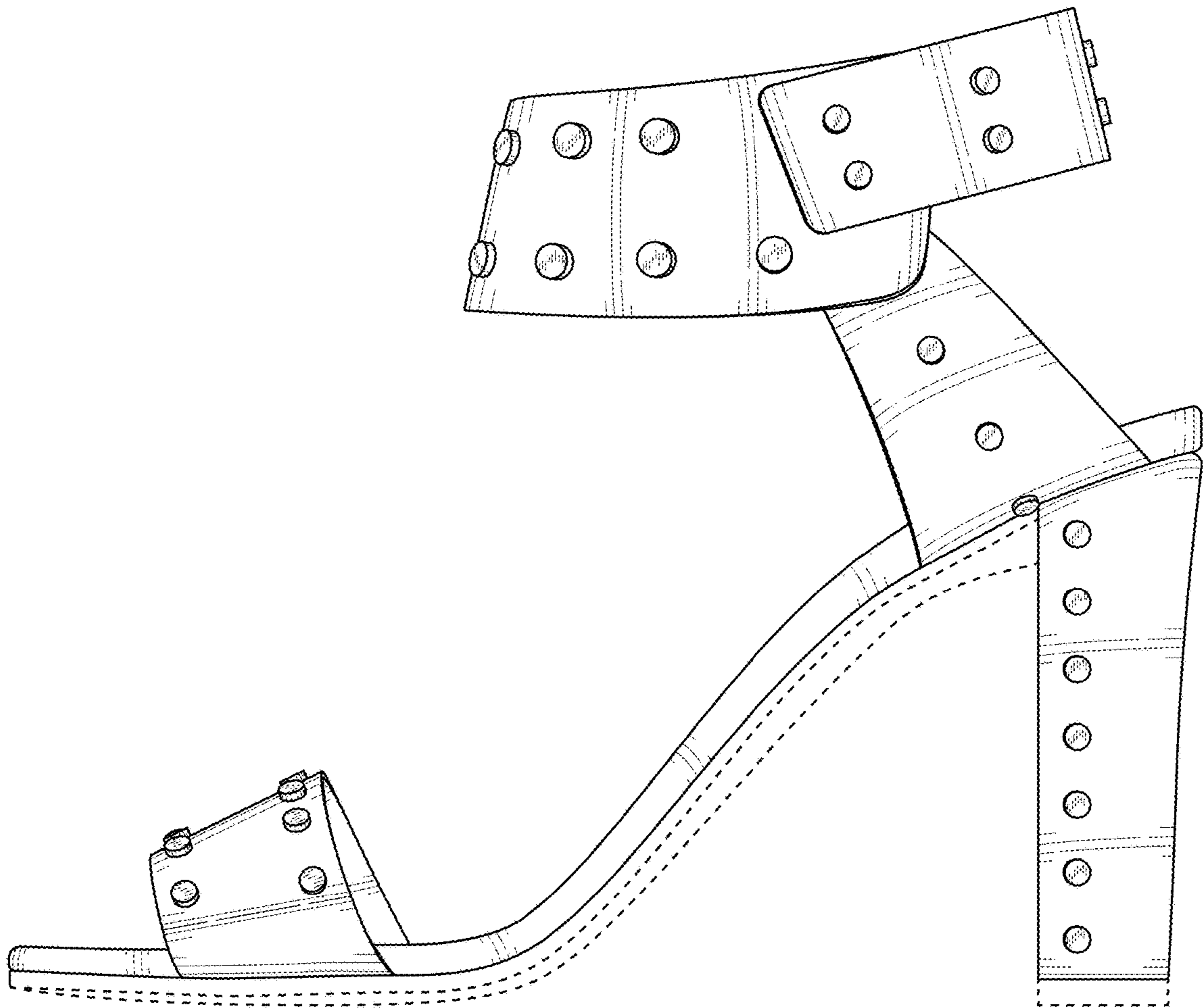


FIG. 2

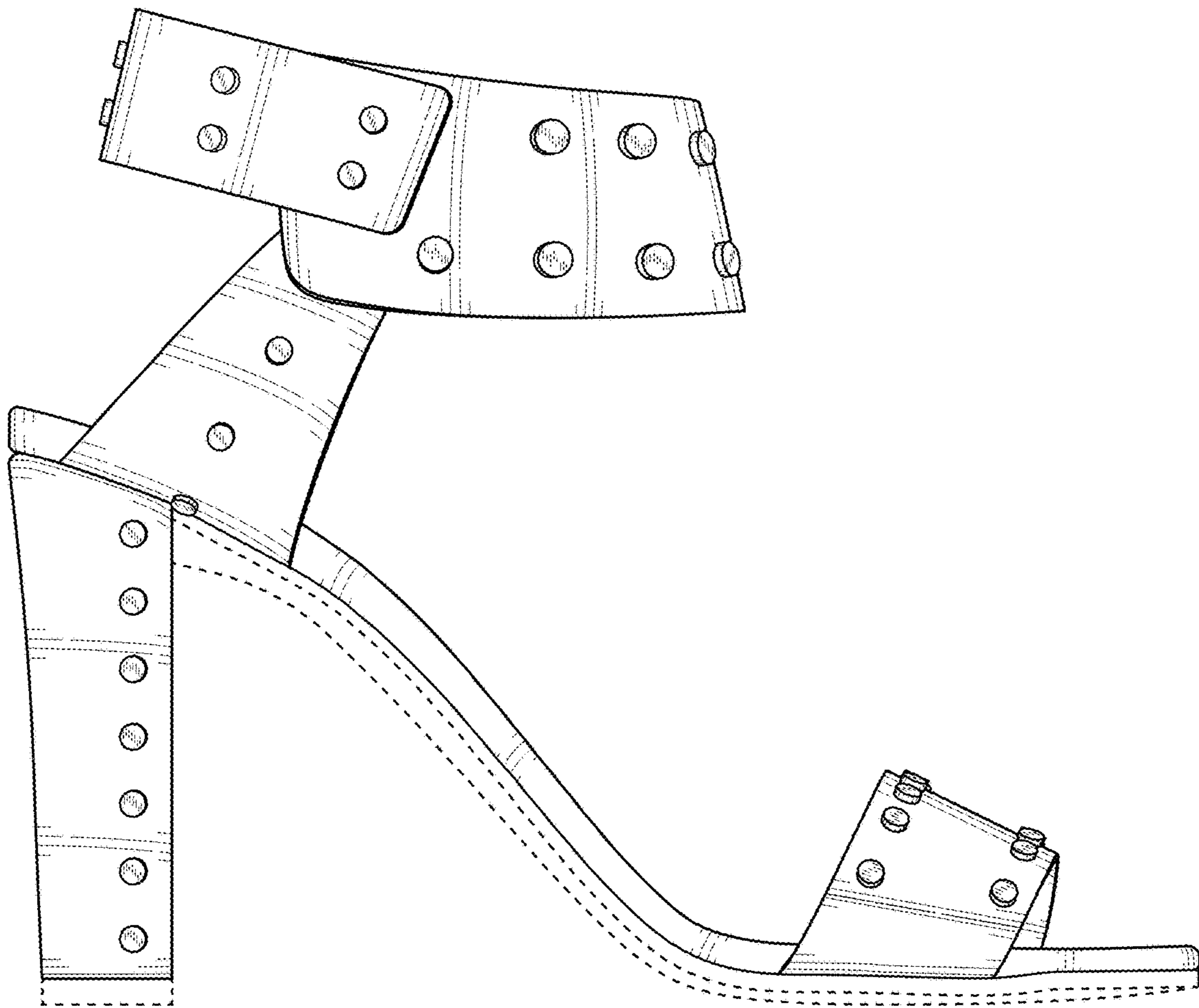


FIG. 3

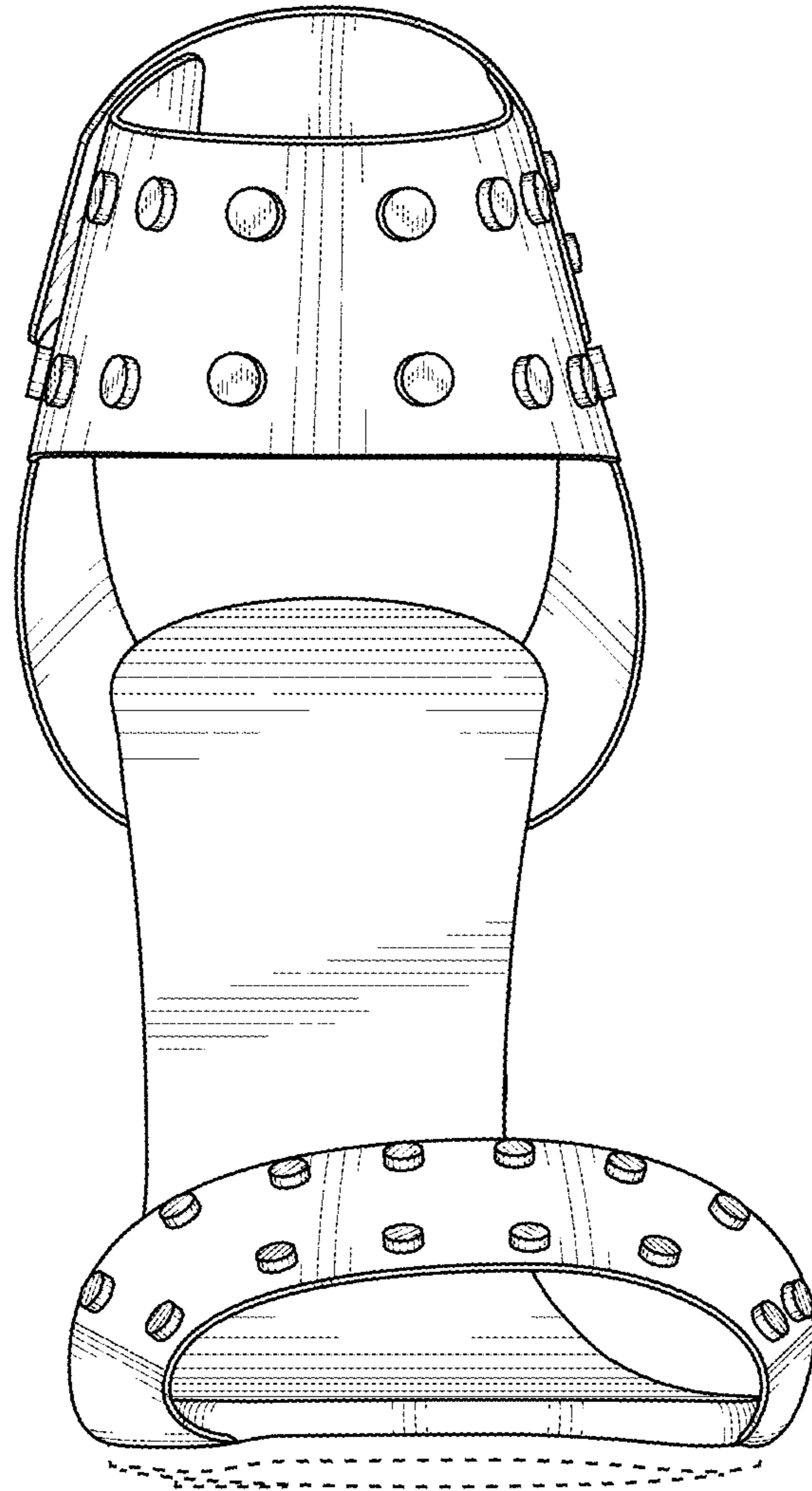


FIG. 4

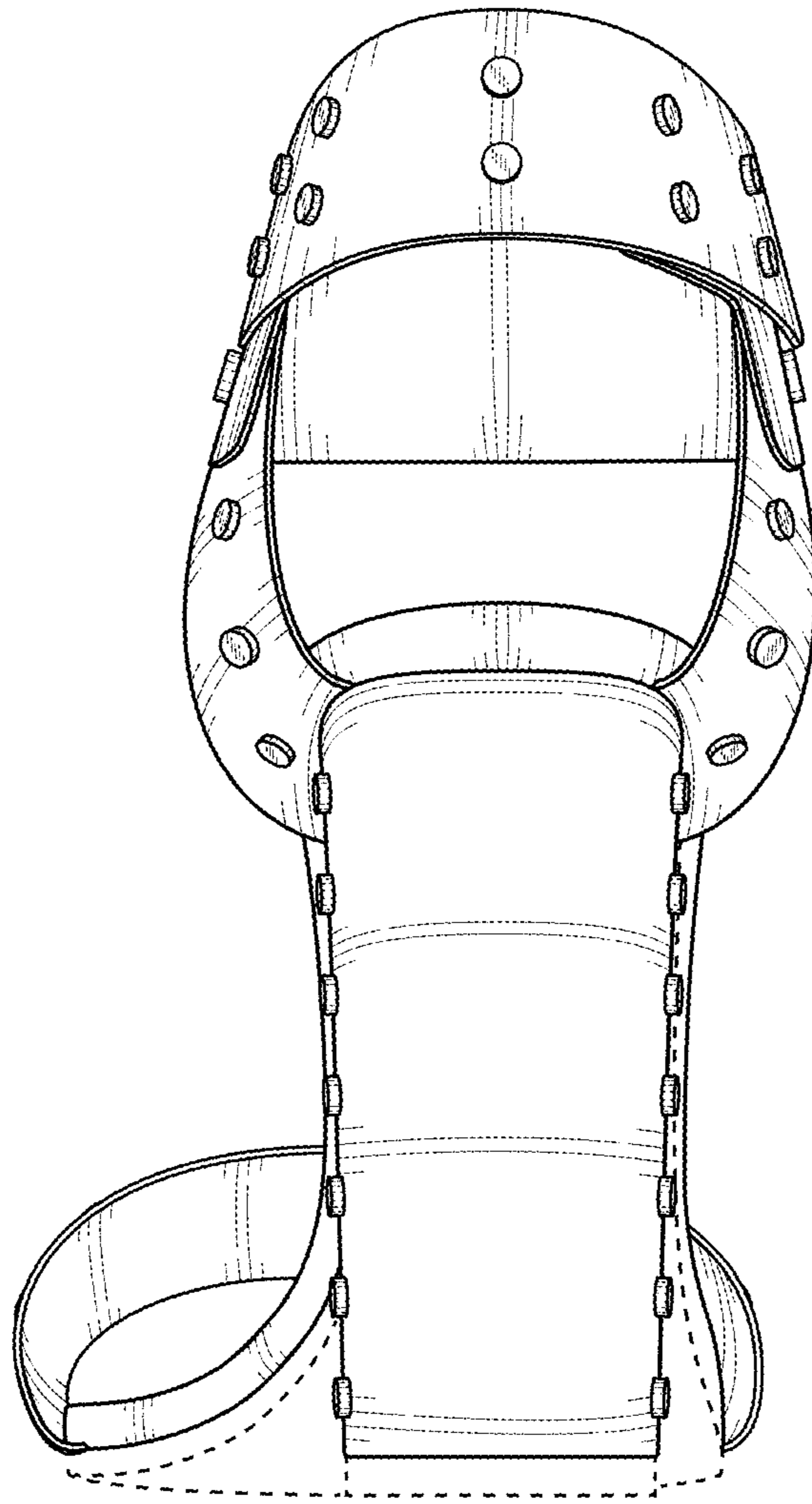


FIG. 5

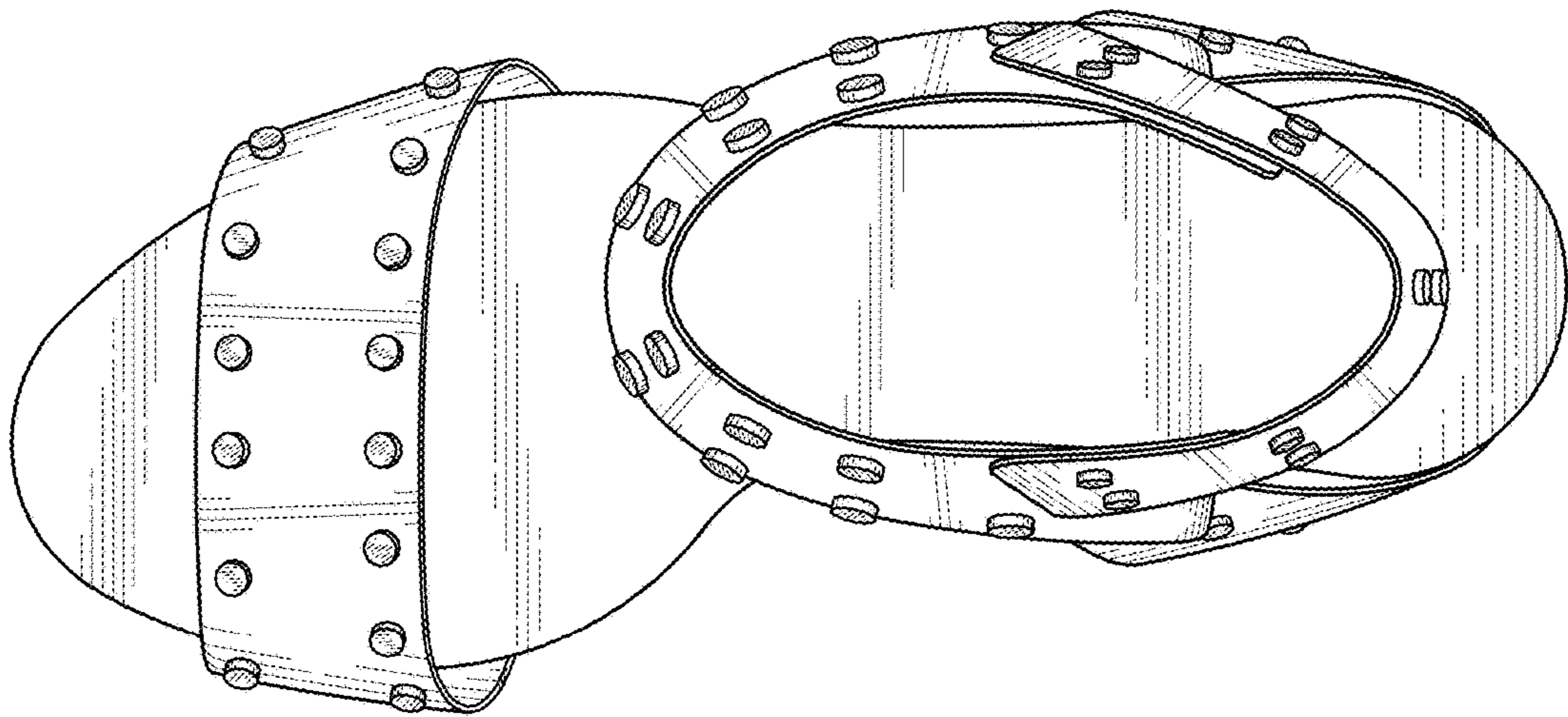


FIG. 6