



US00D814147S

(12) **United States Design Patent**
Napadow

(10) **Patent No.:** **US D814,147 S**

(45) **Date of Patent:** **** Apr. 3, 2018**

(54) **SHEER TROUSER CUFF POCKET**

(71) Applicant: **Michael F. Napadow**, Huntsville, AL
(US)

(72) Inventor: **Michael F. Napadow**, Huntsville, AL
(US)

(**) Term: **15 Years**

(21) Appl. No.: **29/571,259**

(22) Filed: **Jul. 15, 2016**

(51) **LOC (11) Cl.** **02-02**

(52) **U.S. Cl.**
USPC **D2/857**

(58) **Field of Classification Search**
USPC D2/857, 742, 980, 976, 970, 901
CPC A41D 17/00; A41D 1/06
See application file for complete search history.

(56) **References Cited**

U.S. PATENT DOCUMENTS

575,496	A *	1/1897	Silverman	A41D 1/08
					2/228
2,532,024	A *	11/1950	Hoffman	A41D 17/00
					36/2 R
4,542,597	A *	9/1985	Baptista	A41D 17/00
					36/1.5
4,771,553	A *	9/1988	Smithdeal	A43D 3/1416
					12/128 R
D386,297	S *	11/1997	Minnick	D2/901
D505,777	S *	6/2005	Dunlap	D2/901
D546,529	S *	7/2007	Myskiw	D2/901
D555,879	S *	11/2007	MacMillan	A41D 1/06
					D2/742
D629,596	S *	12/2010	Ng	D2/970
D650,166	S *	12/2011	Stewart	D2/980

D724,307	S *	3/2015	Keeffe	D2/980
D744,226	S *	12/2015	Wise	D2/976
D761,007	S *	7/2016	Lockwood	D2/976
2005/0198724	A1 *	9/2005	Steitle	A41D 27/08
					2/244

* cited by examiner

Primary Examiner — Kevin K Rudzinski
(74) *Attorney, Agent, or Firm* — F. Chau & Associates, LLC

(57) **CLAIM**

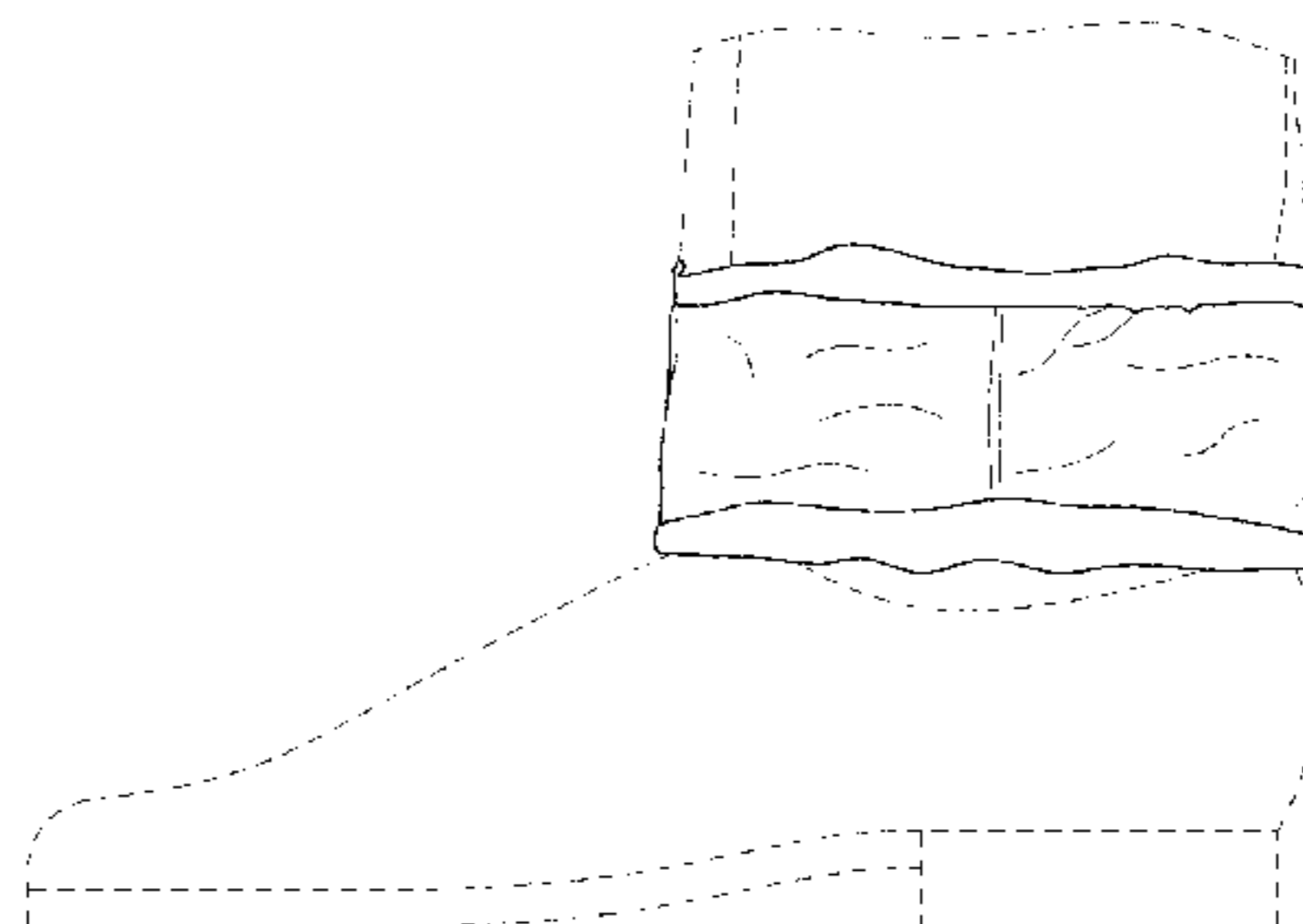
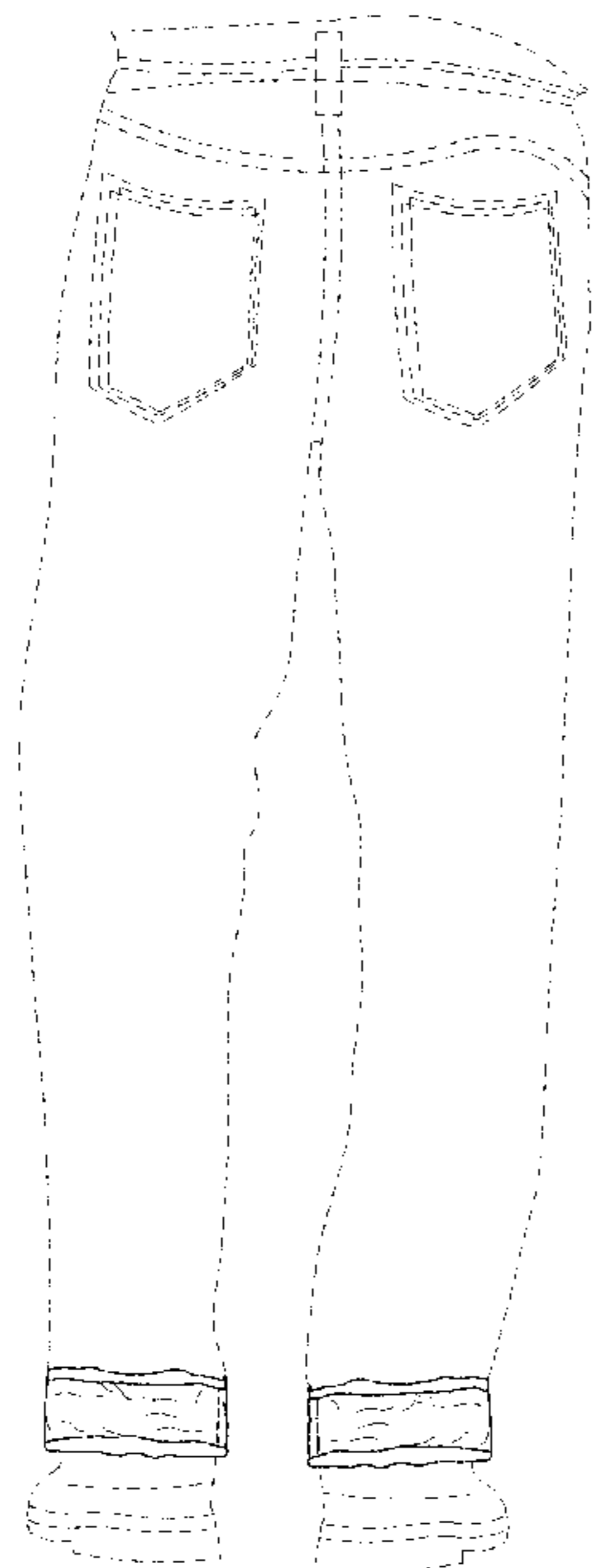
The ornamental design for a sheer trouser cuff pocket, as shown and described.

DESCRIPTION

FIG. 1 is a back elevation view of a trouser having sheer cuff pocket in accordance with the present invention;
 FIG. 2 is a close-up side elevation view of a right-leg sheer trouser cuff pocket thereof;
 FIG. 3 is a close-up side elevation view of a left-leg sheer trouser cuff pocket thereof;
 FIG. 4 is a close-up front elevation view of a right-leg sheer trouser cuff pocket thereof;
 FIG. 5 is a close-up back elevation view of a right-leg sheer trouser cuff pocket thereof; and,
 FIG. 6 is a close-up side elevation view of a right-leg sheer trouser cuff pocket, containing a colored insert, thereof.

The broken lines shown in the drawings illustrate portions of the trouser and shoes that form no part of the claimed design. The trouser includes a pocket at each leg cuff, the pocket being sheer and extending all the way around each cuff. The sheer cuff pockets are empty or contain a removable colored insert. The removable colored insert form no part of the claimed design. Each sheer cuff pocket includes an opening disposed along an inner leg seam of the trouser.

1 Claim, 5 Drawing Sheets



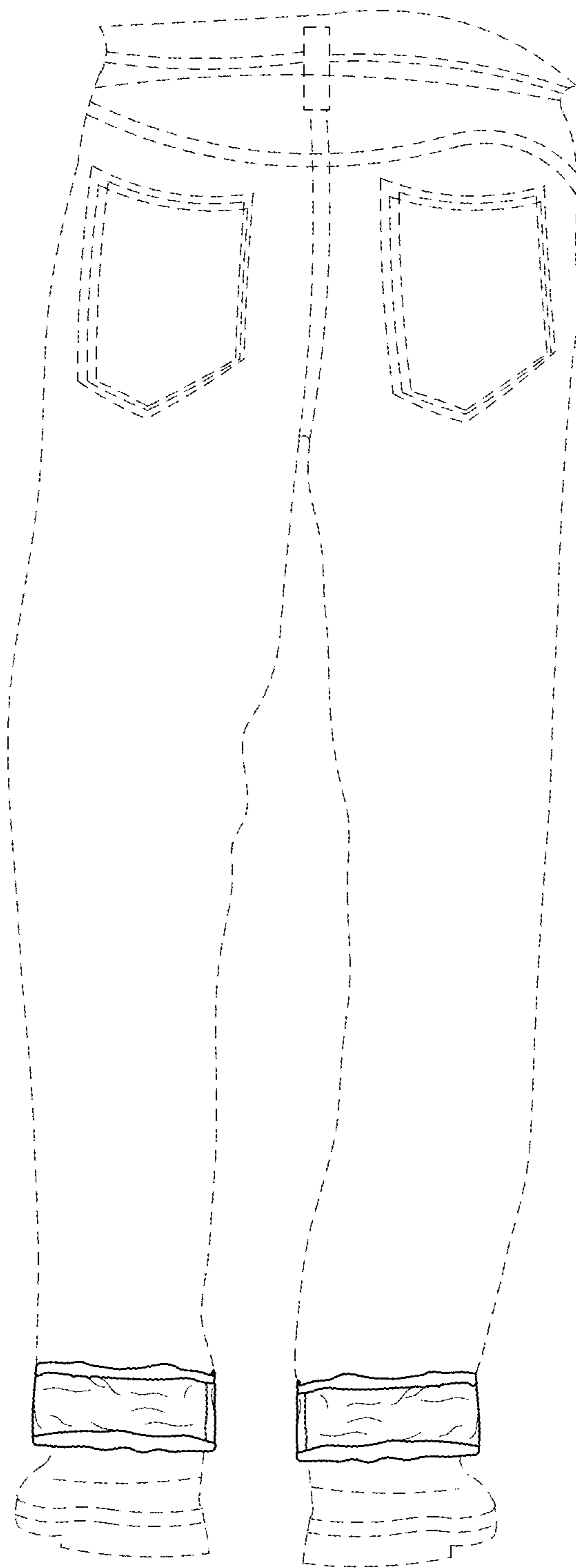


FIG. 1

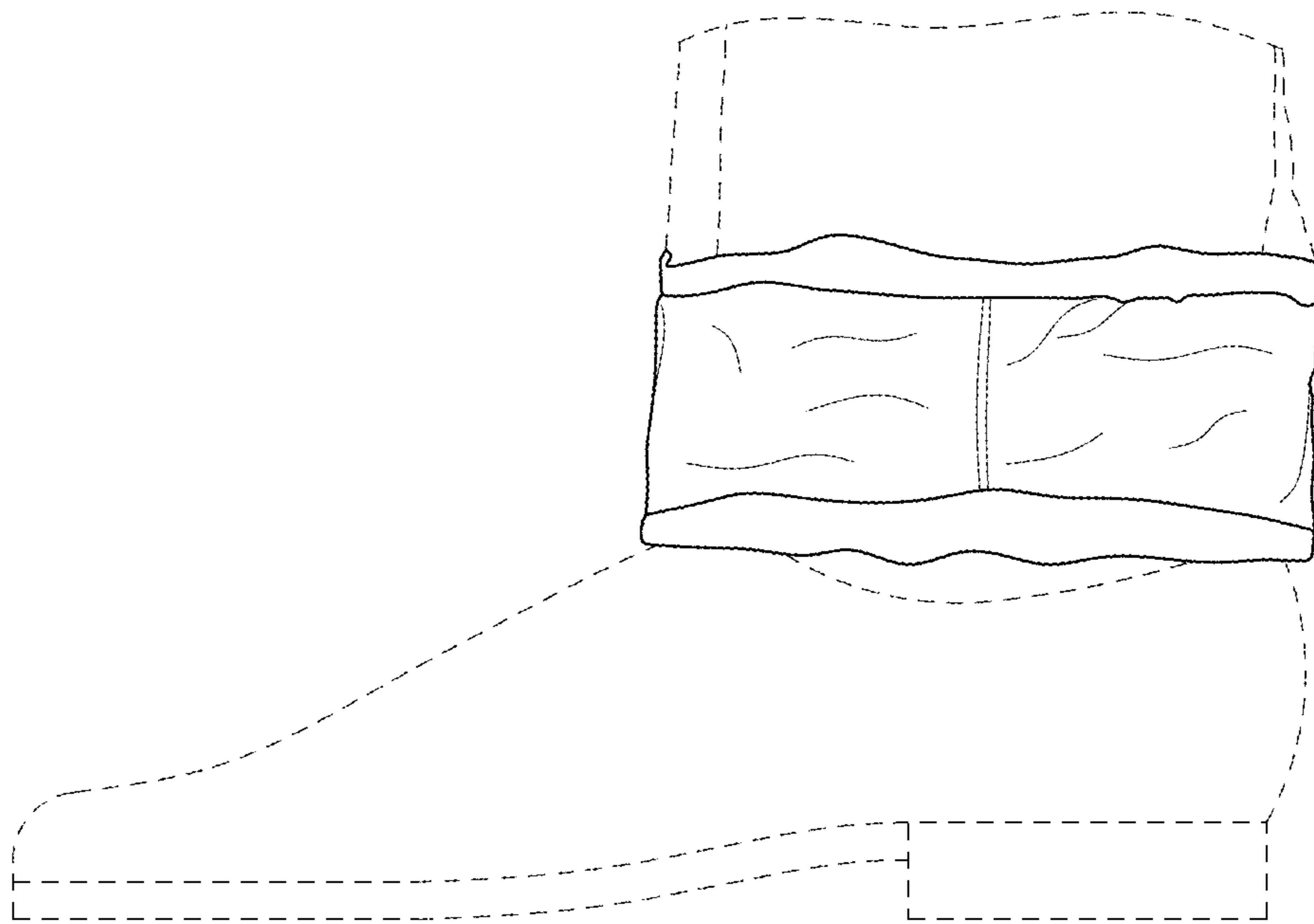


FIG. 2

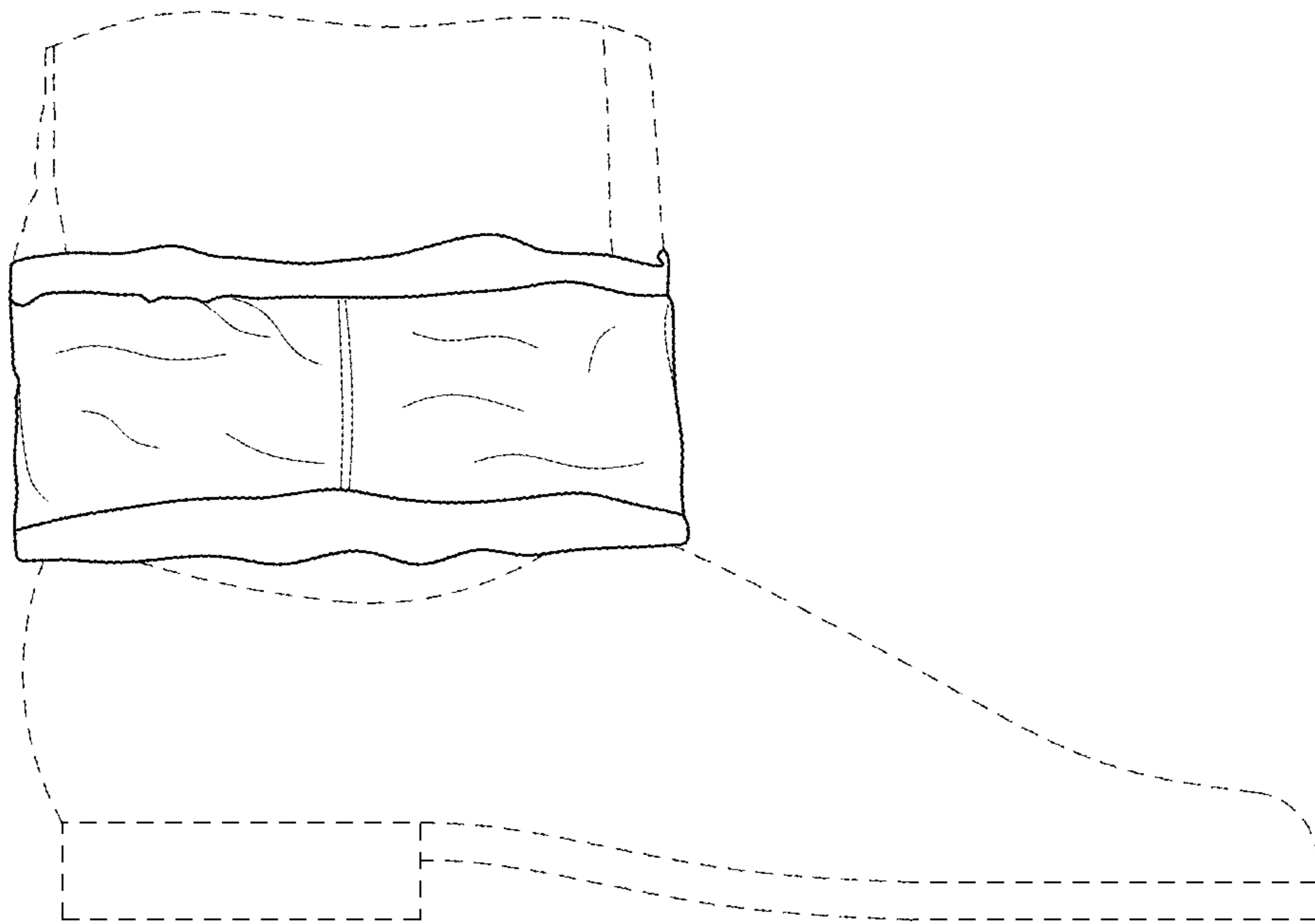


FIG. 3

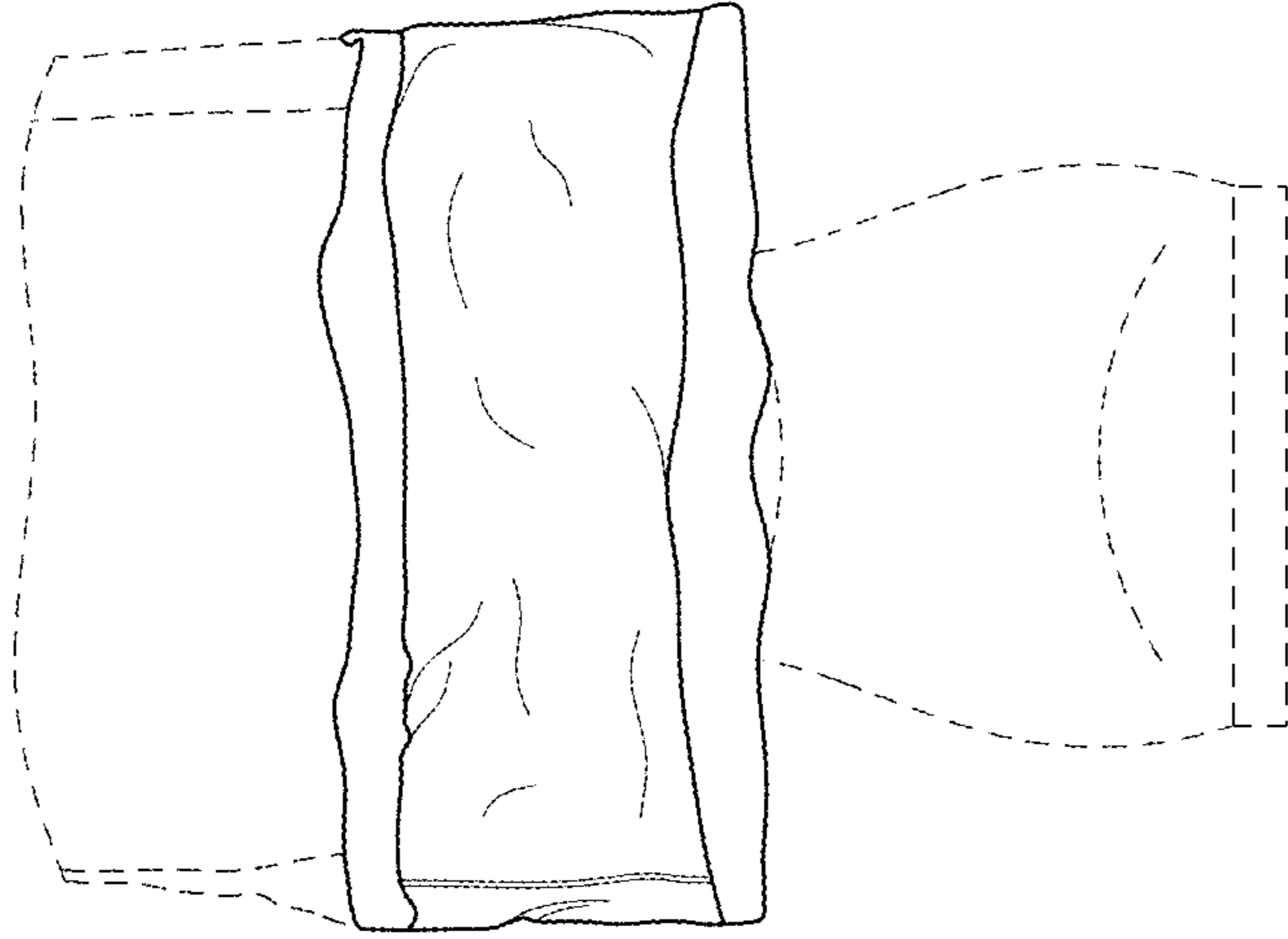


FIG. 5

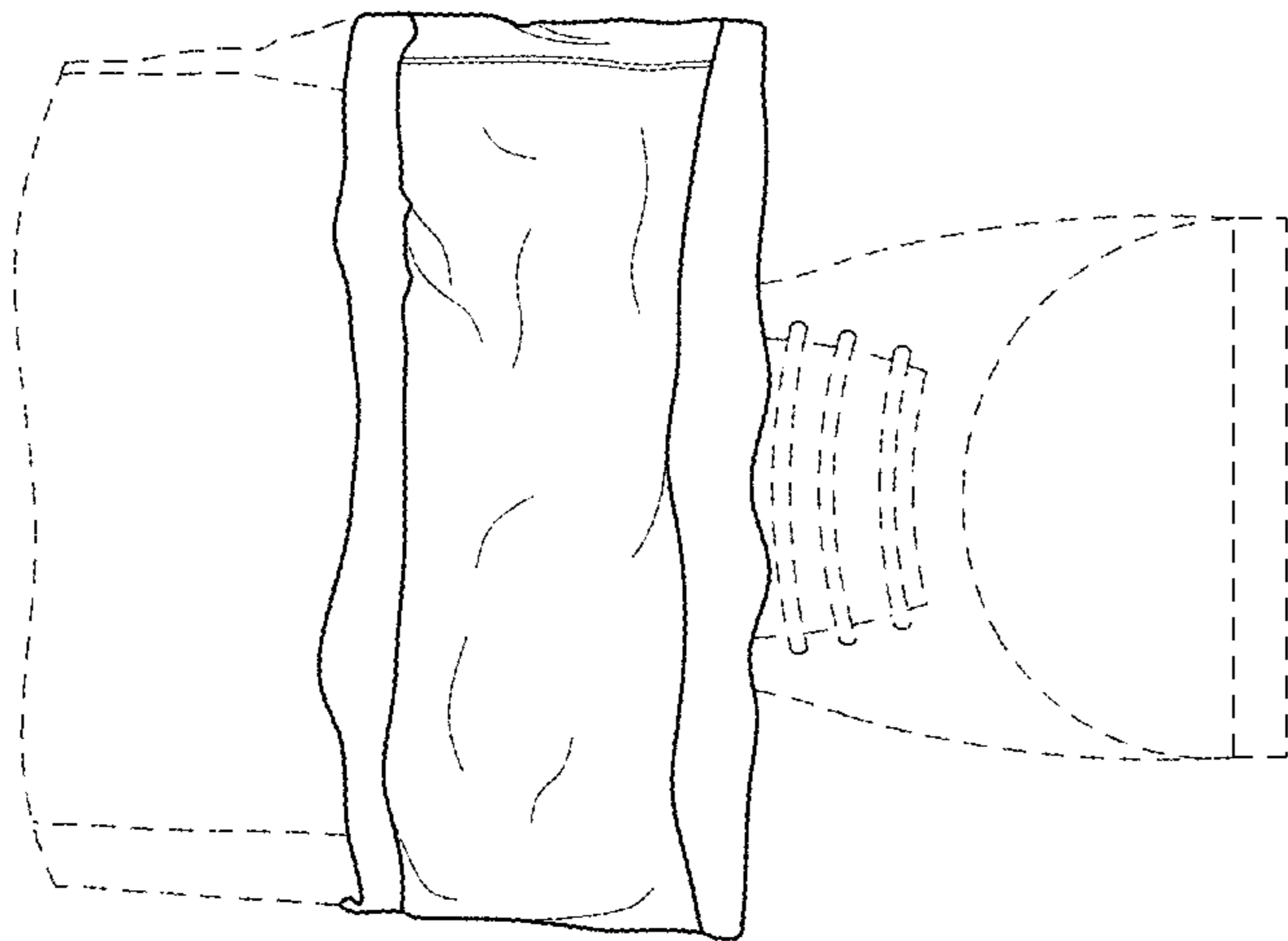


FIG. 4

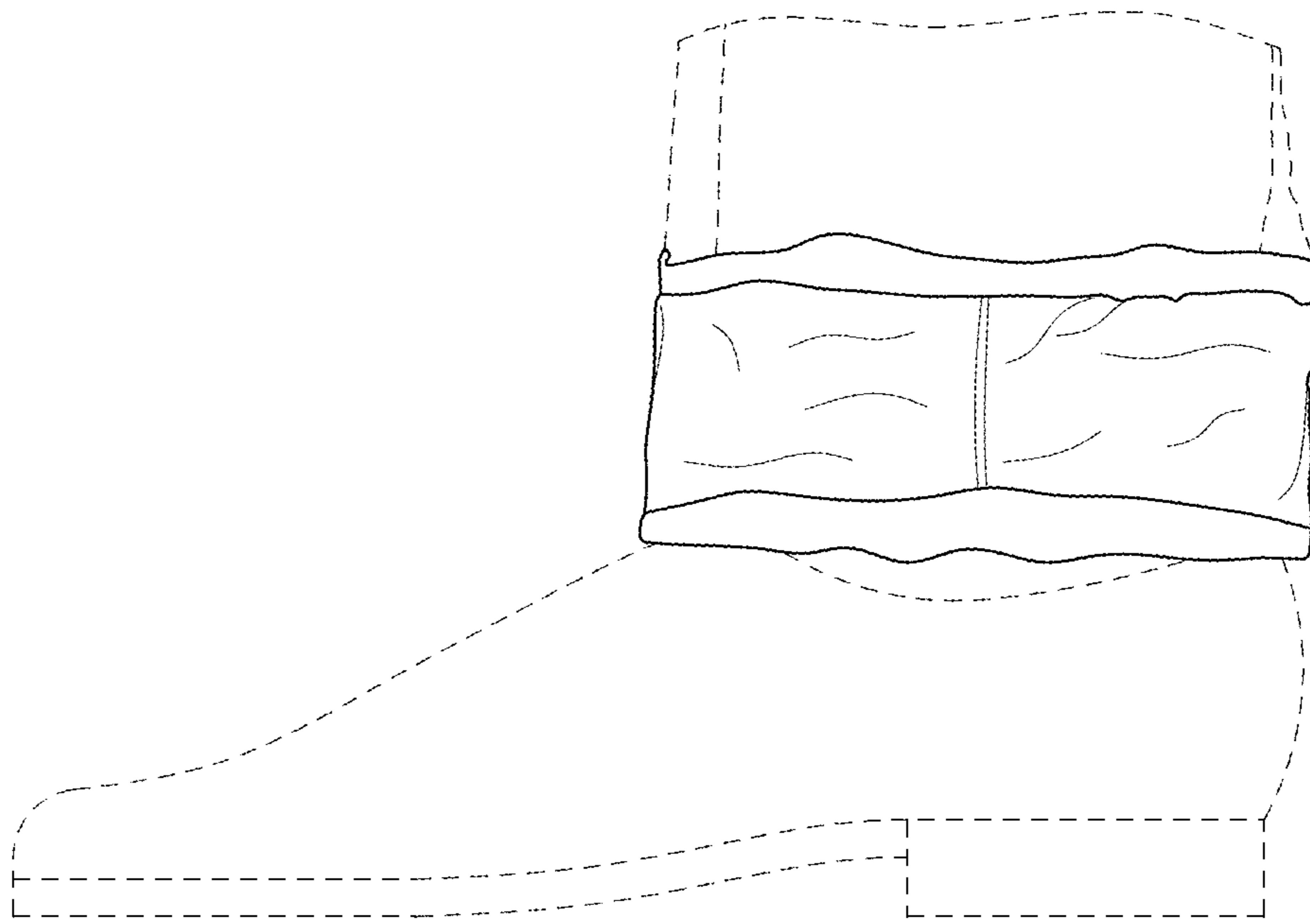


FIG. 6