



US00D814145S

(12) **United States Design Patent** (10) **Patent No.:** **US D814,145 S**
Blanchard (45) **Date of Patent:** **** Apr. 3, 2018**

- (54) **ATHLETIC GARMENT**
- (71) Applicant: **Robin Blanchard**, Mission Viejo, CA (US)
- (72) Inventor: **Robin Blanchard**, Mission Viejo, CA (US)
- (**) Term: **15 Years**
- (21) Appl. No.: **29/573,386**
- (22) Filed: **Aug. 4, 2016**
- (51) **LOC (11) Cl.** **02-02**
- (52) **U.S. Cl.**
USPC **D2/840**
- (58) **Field of Classification Search**
USPC D2/840, 828, 839, 831
CPC A41D 3/00
See application file for complete search history.

| | | | | |
|-------------------|---------|--------------|-------|--------------------|
| D746,550 S * | 1/2016 | Roberts | | D2/839 |
| D755,478 S * | 5/2016 | Grosbol | | D2/828 |
| D758,697 S * | 6/2016 | Clark | | D2/828 |
| D784,657 S * | 4/2017 | Adrovic | | D2/731 |
| D800,425 S * | 10/2017 | Schneider | | D2/828 |
| D808,125 S * | 1/2018 | Crowe | | D2/828 |
| 2004/0055069 A1 * | 3/2004 | Clarke Fayle | | A41D 3/00 2/93 |
| 2009/0249529 A1 * | 10/2009 | Rodriguez | | A41D 3/00 2/97 |
| 2013/0042384 A1 * | 2/2013 | Mitchell | | A42B 1/048 2/84 |

* cited by examiner

Primary Examiner — Kevin K Rudzinski
(74) *Attorney, Agent, or Firm* — Jafari Law Group, Inc.

(57) **CLAIM**

The ornamental design for an athletic garment, as shown and described.

DESCRIPTION

FIG. 1 illustrates a perspective view of the athletic garment showing the new design;
 FIG. 2 illustrates a front view of one embodiment thereof;
 FIG. 3 illustrates a back view thereof;
 FIG. 4 illustrates a right-side view thereof;
 FIG. 5 illustrates a left-side view thereof;
 FIG. 6 illustrates a top view thereof;
 FIG. 7 illustrates a bottom view thereof;
 FIG. 8 illustrates a front view of another embodiment thereof; and,
 FIG. 9 illustrates a left-side view of the embodiment shown in FIG. 8.

The uneven broken lines shown represent unclaimed subject matter and form no part of the claimed design.
 The uniformly spaced broken lines on the surface of athletic garment, in FIGS. 1-9, represent stitching.

1 Claim, 7 Drawing Sheets

(56) **References Cited**

U.S. PATENT DOCUMENTS

| | | | | |
|----------------|---------|----------|-------|-----------------------|
| 4,470,155 A * | 9/1984 | Maeshima | | A41D 27/04 2/102 |
| 4,882,786 A * | 11/1989 | Gross | | A41D 13/0012 2/102 |
| 4,922,552 A * | 5/1990 | Grilliot | | A41D 13/0002 2/227 |
| 5,138,717 A * | 8/1992 | Tolton | | A41D 1/04 2/123 |
| D338,773 S * | 8/1993 | Wilde | | D2/831 |
| D374,329 S * | 10/1996 | Wilde | | D2/828 |
| 6,654,968 B2 * | 12/2003 | Braun | | A41D 1/06 2/269 |
| 6,665,878 B1 * | 12/2003 | Way | | A41D 3/02 2/84 |
| D685,158 S * | 7/2013 | Lambertz | | D2/828 |
| D698,525 S * | 2/2014 | Roberts | | D2/839 |
| D698,527 S * | 2/2014 | Roberts | | D2/839 |
| D704,924 S * | 5/2014 | Roberts | | D2/831 |

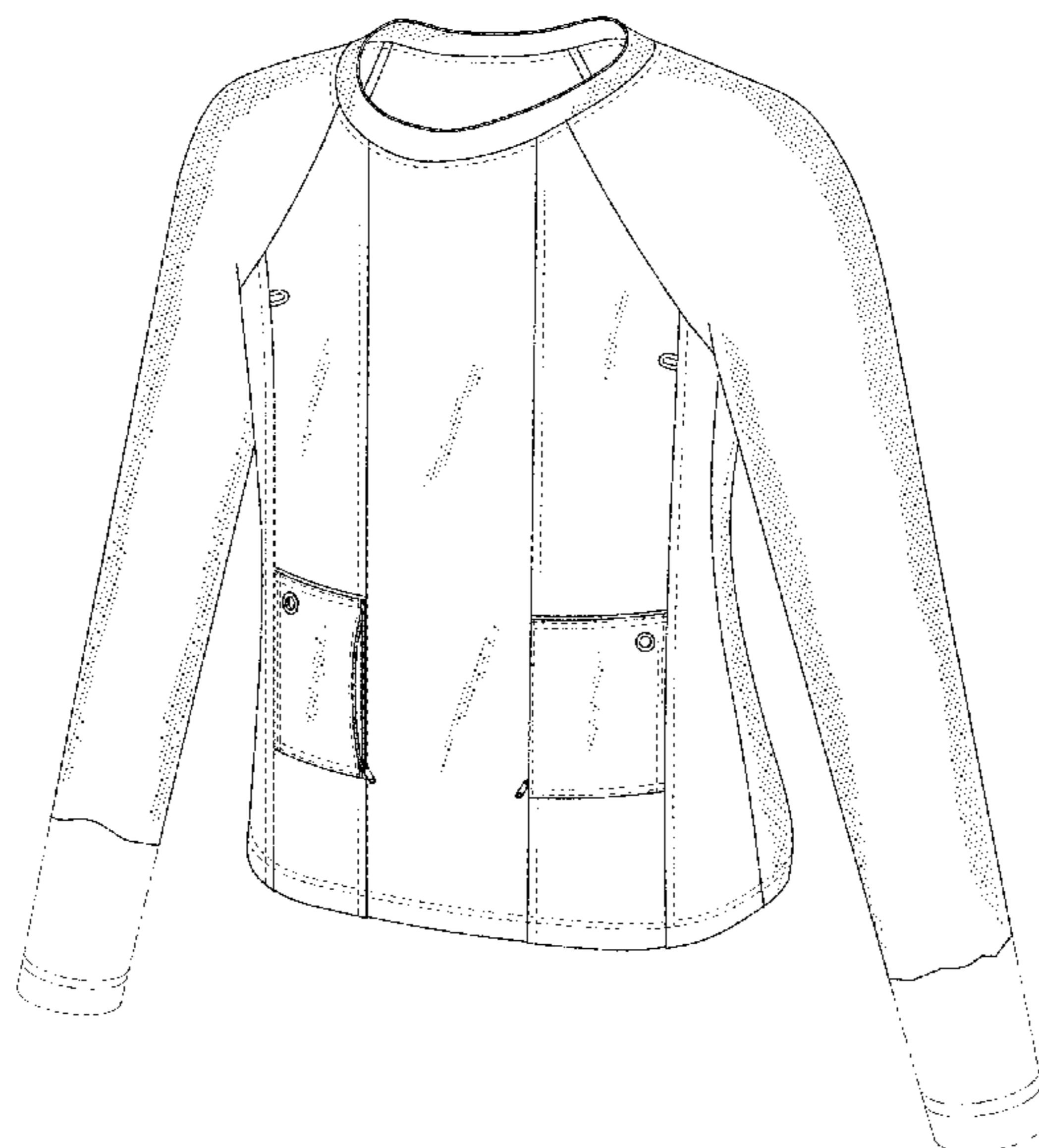


FIG. 1

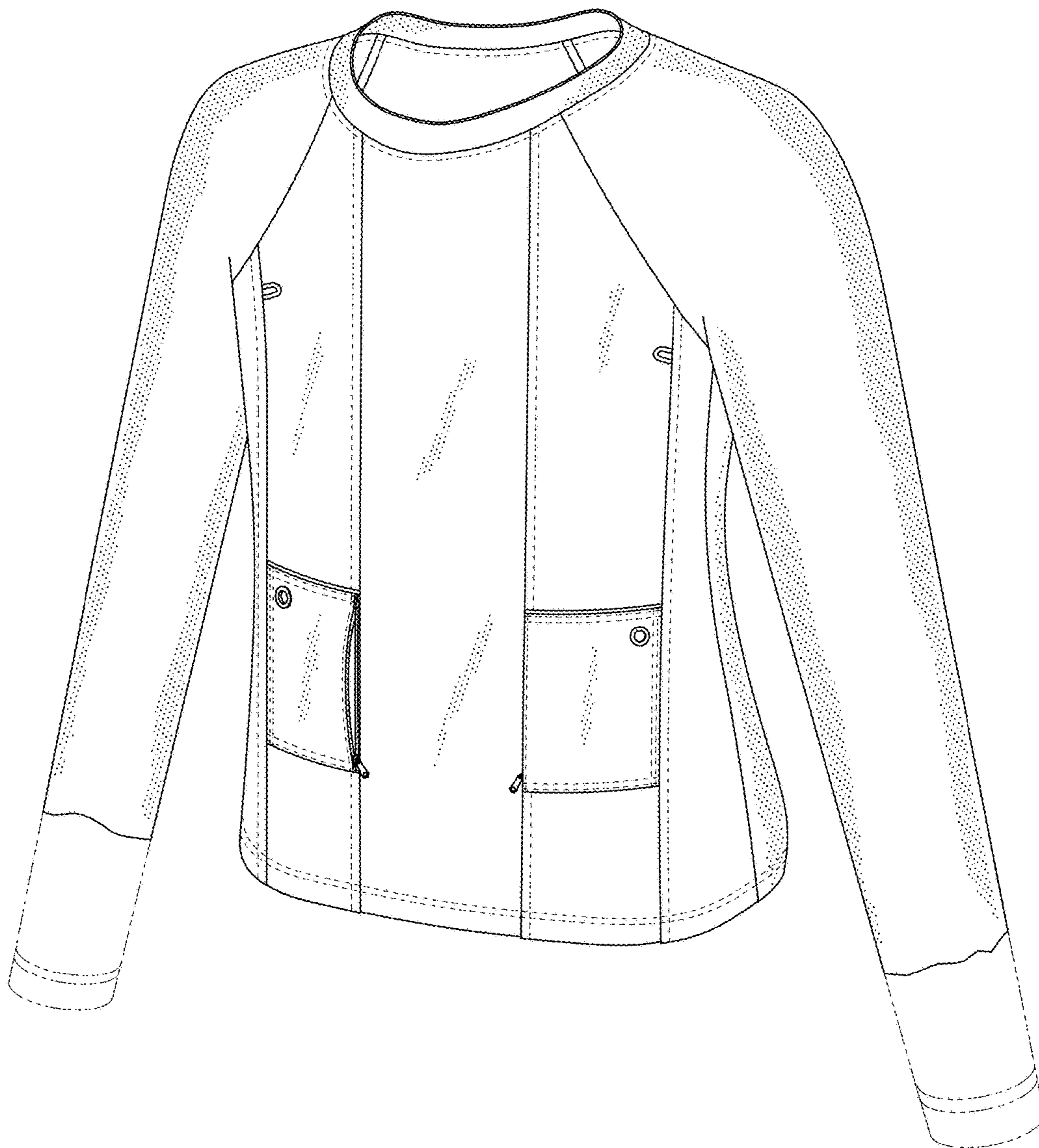


FIG. 2

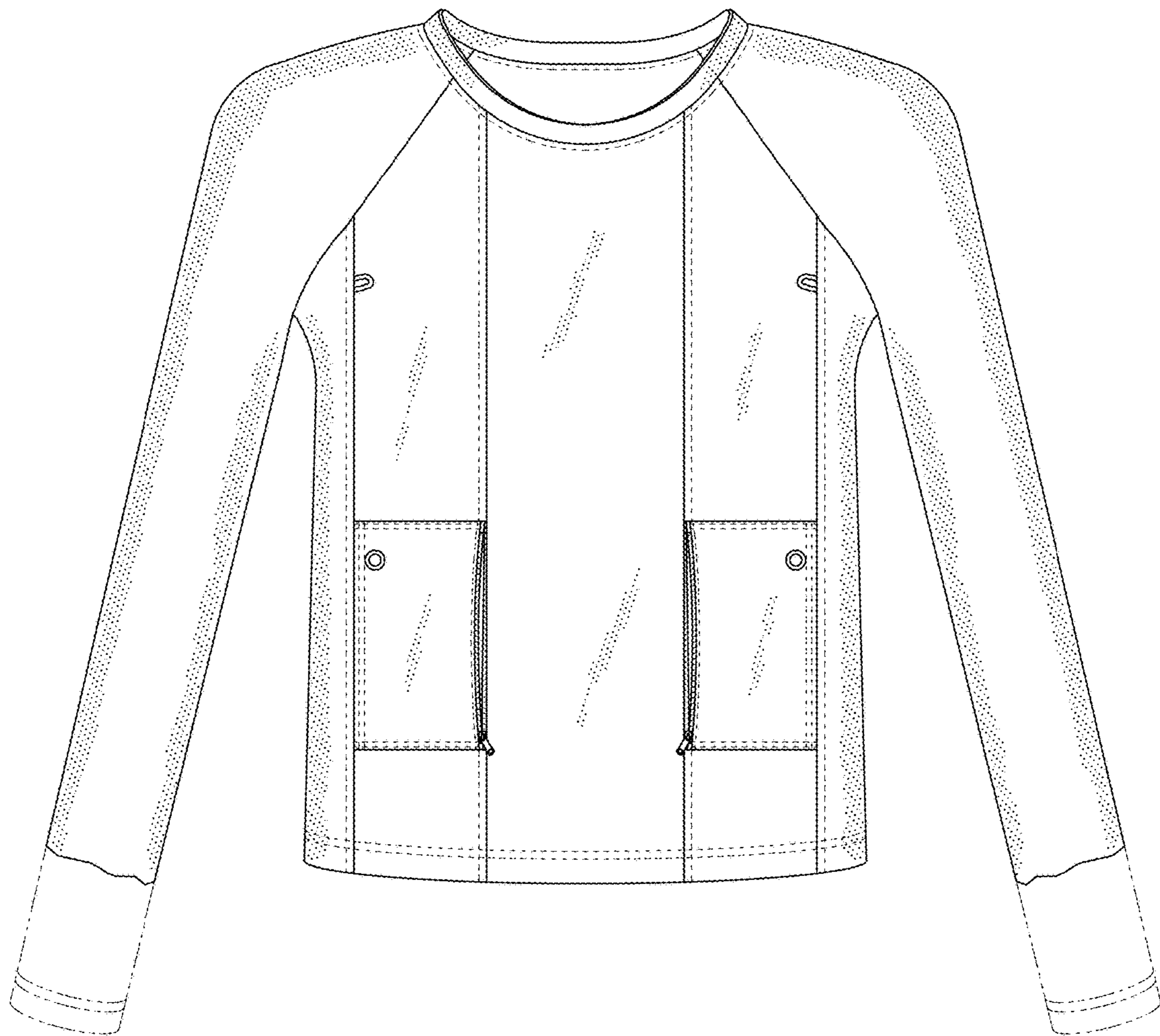


FIG. 3

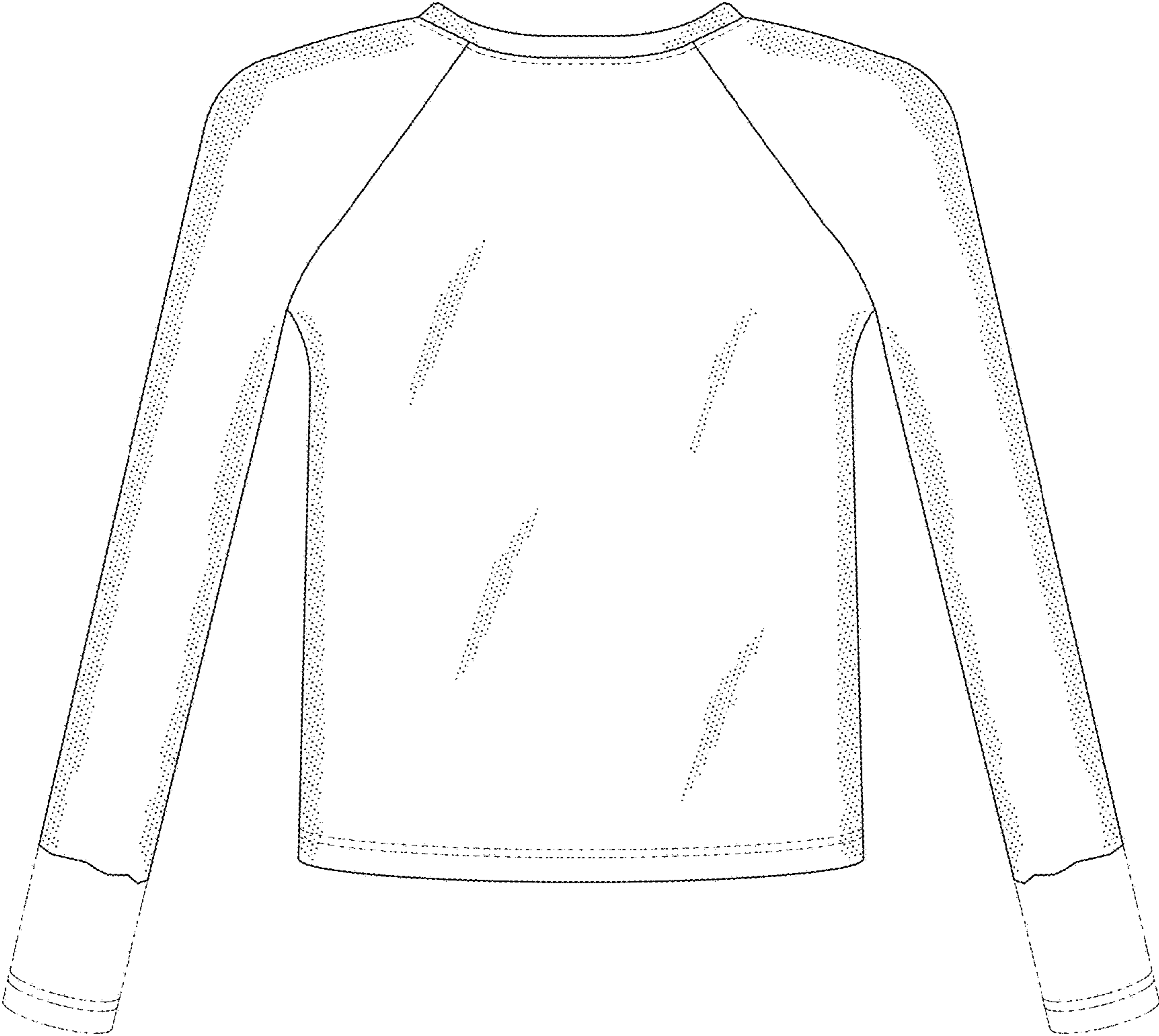


FIG. 4

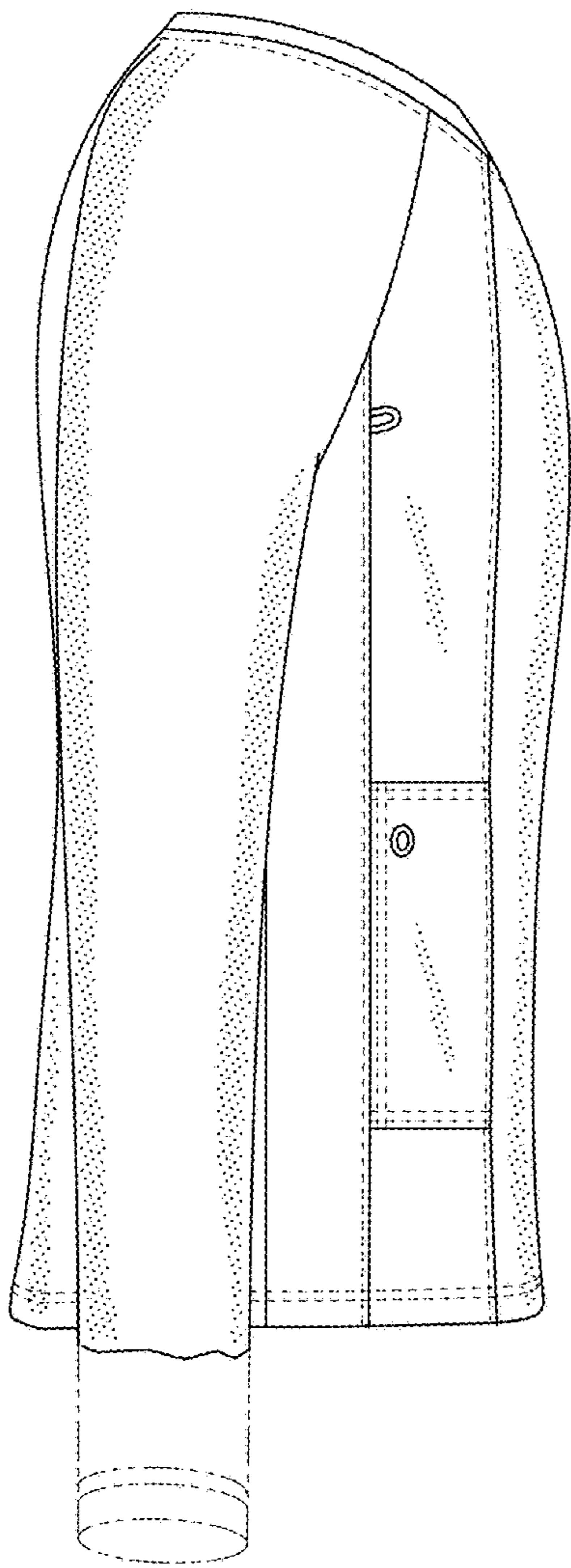


FIG. 5

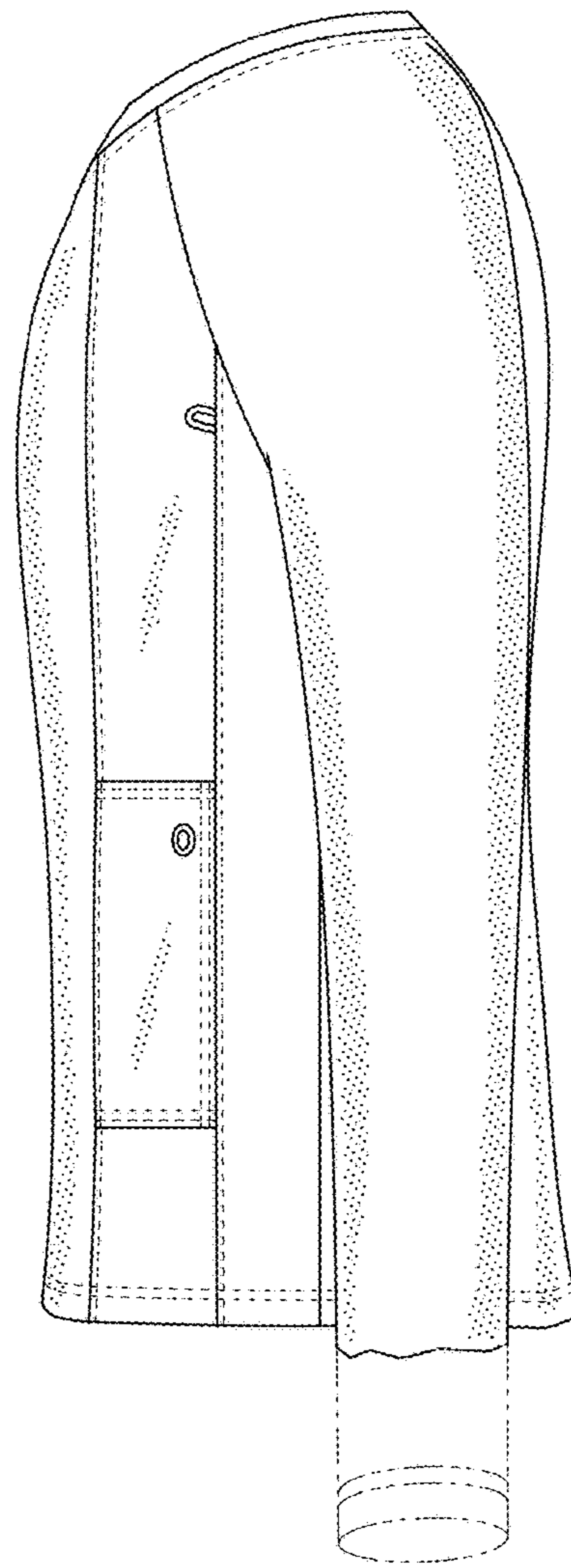


FIG. 6

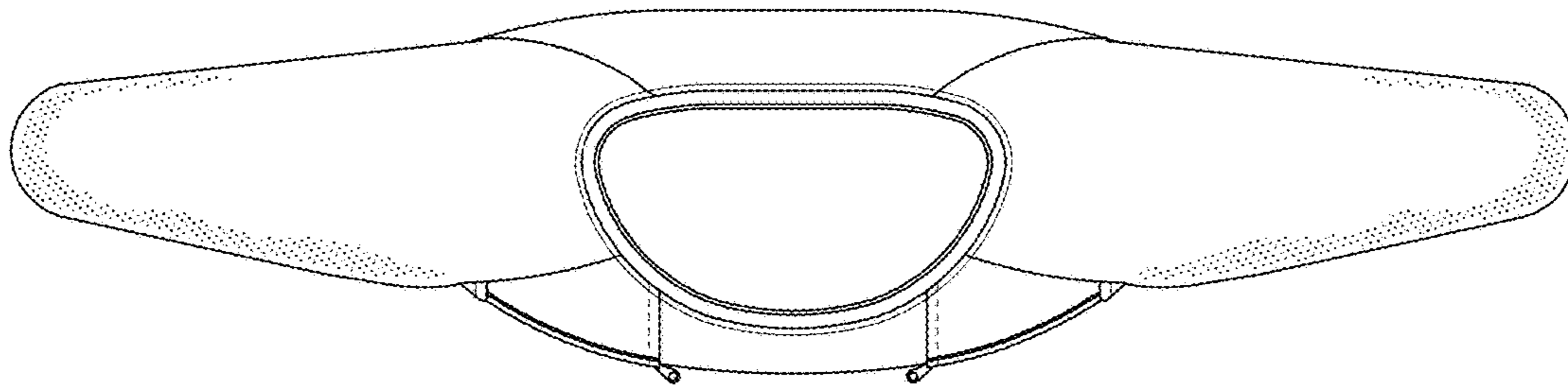


FIG. 7

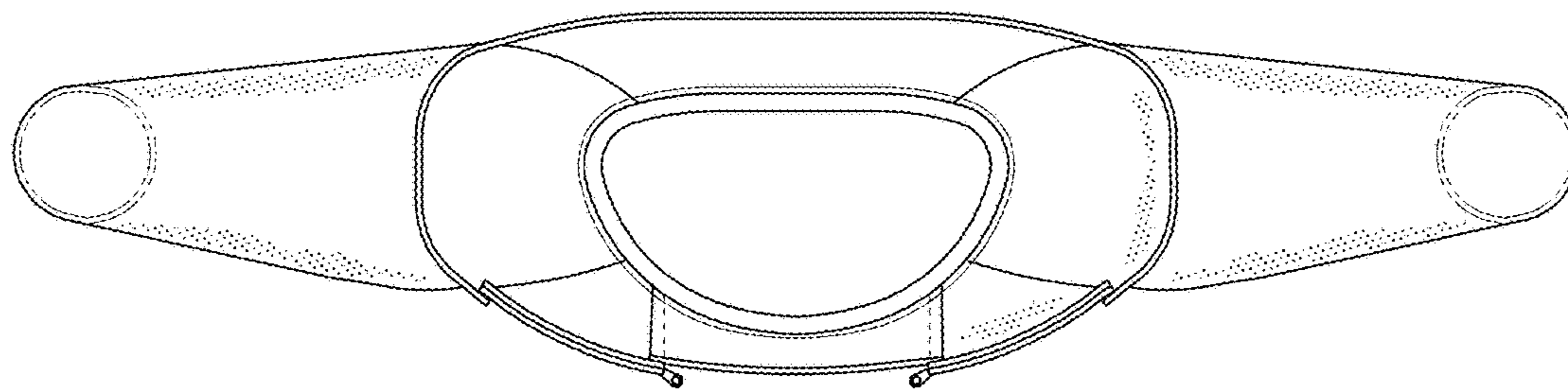


FIG. 8

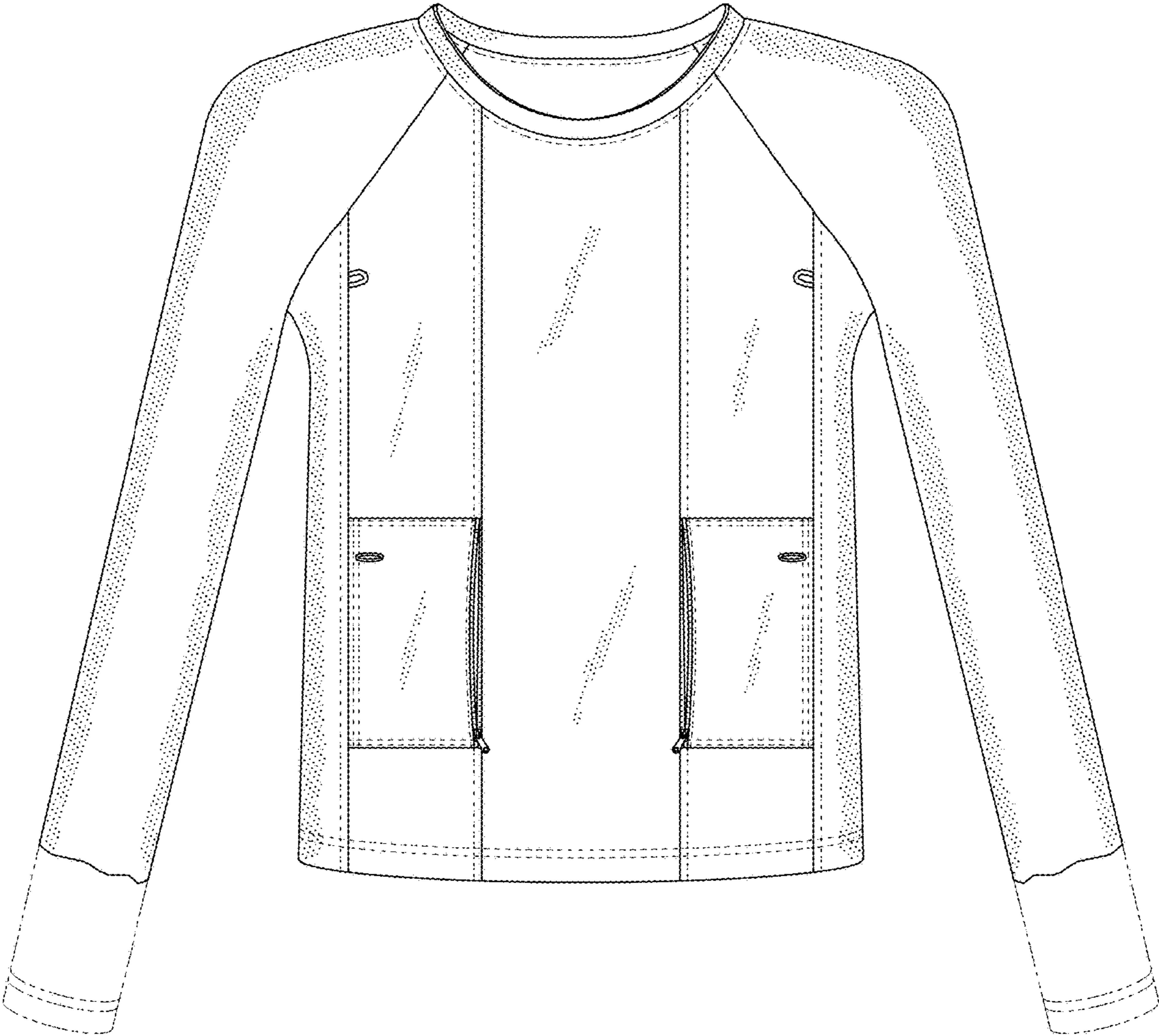


FIG. 9

