



US00D814138S

(12) **United States Design Patent**  
**Venosi**

(10) **Patent No.:** **US D814,138 S**  
(45) **Date of Patent:** **\*\* Mar. 27, 2018**

(54) **PET BURIAL OR CREMATION BAG**  
(71) Applicant: **Sweet Goodbye Pty Ltd**, Dunsborough (AU)  
(72) Inventor: **Natalie Venosi**, Dunsborough (AU)  
(\*\*) Term: **15 Years**  
(21) Appl. No.: **29/568,392**  
(22) Filed: **Jun. 17, 2016**

(30) **Foreign Application Priority Data**

Dec. 18, 2015 (AU) ..... 201516930

(51) **LOC (11) Cl.** ..... **99-00**

(52) **U.S. Cl.**  
USPC ..... **D99/5**

(58) **Field of Classification Search**  
USPC .... D99/5, 8, 10, 11, 12, 14, 17, 25; 27/1, 9, 27/19, 29, 30, 35; 119/843; 128/870, 128/875, 876; 5/627, 628, 482; D24/118, 178, 184, 190, 192, 232; D30/109, 199; 224/547, 601, 191; D3/214, 222, 903, 215, 227, 900, 216; 190/125; 2/69.5  
CPC ..... A61G 17/08; A61G 17/00; A61G 1/1044; A61G 1/048  
See application file for complete search history.

(56) **References Cited**

**U.S. PATENT DOCUMENTS**

1,963,267 A \* 6/1934 Harder ..... A61G 19/00 27/26  
2,350,573 A \* 6/1944 Smith, Jr. .... A61G 1/01 5/627  
2,366,082 A \* 12/1944 Baker ..... A61G 1/007 5/628  
2,503,314 A \* 4/1950 Atwood ..... A61G 1/003 280/659

2,547,466 A \* 4/1951 Hoder ..... A41B 13/06 128/872  
2,675,564 A \* 4/1954 Hughes ..... A61G 1/01 128/870  
D173,089 S \* 9/1954 Reich ..... D3/226  
2,880,427 A \* 4/1959 Atwood ..... A61G 1/013 5/184  
3,034,132 A \* 5/1962 Landsberger ..... A41B 13/06 2/69.5  
3,041,638 A \* 7/1962 Lo Vico ..... A45C 9/00 190/2  
3,088,128 A \* 5/1963 Waddington ..... A61G 1/00 5/626

(Continued)

*Primary Examiner* — Paula Allen Greene

(57) **CLAIM**

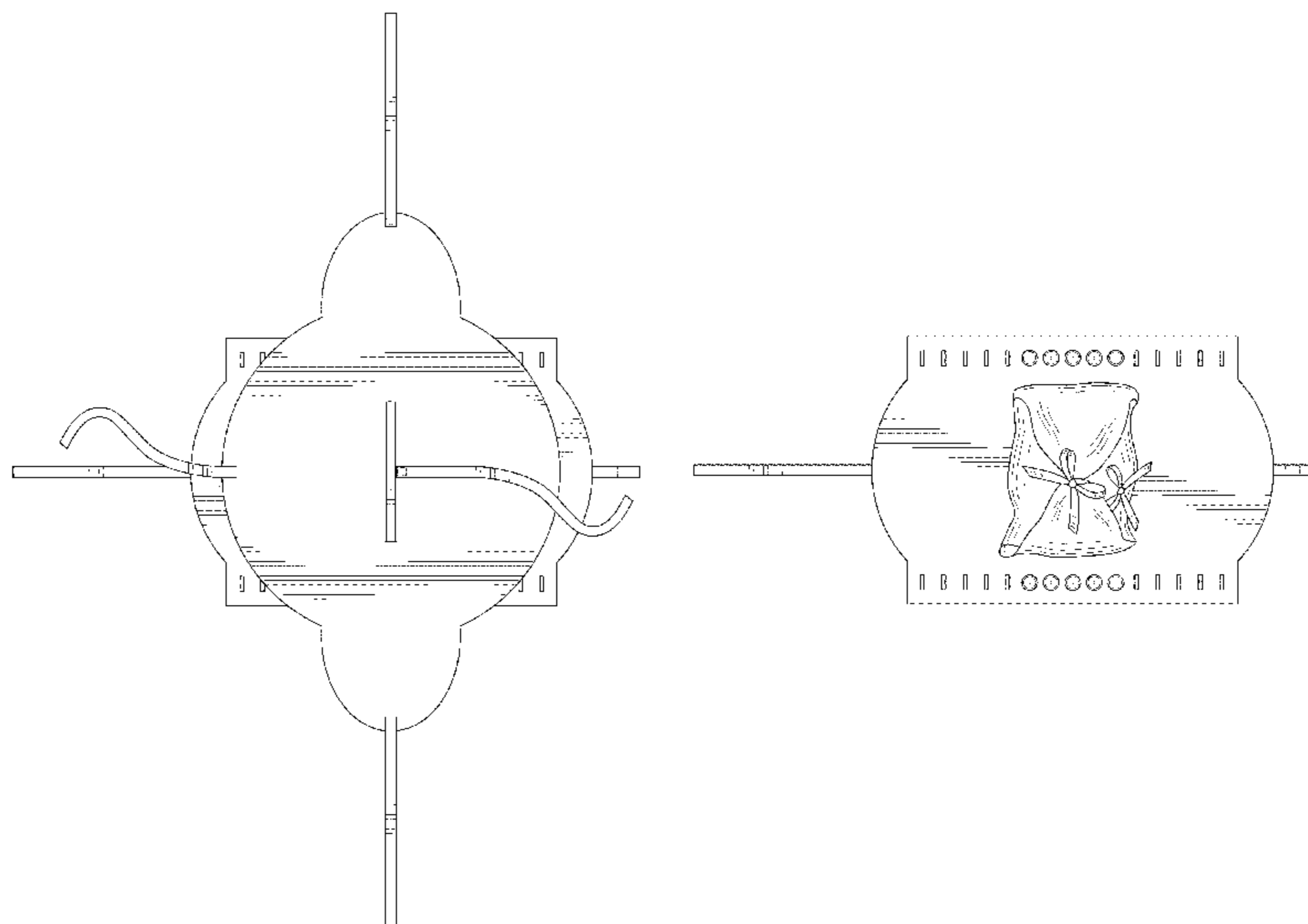
The ornamental design for a pet burial or cremation bag, as shown and described.

**DESCRIPTION**

FIG. 1 is a top side plan view of my new design for a pet burial or cremation bag, in an open, unfolded first configuration;  
FIG. 2 is a bottom side plan view of my design of FIG. 1;  
FIG. 3 is a top side plan view of my design, in a second configuration, with an inside layer folded closed and with ties tied together;  
FIG. 4 is a top side plan view of my design, in a third configuration, with an outer layer folded closed over the inner layer and with buttons buttoned up and with ties tied together; and,  
FIG. 5 is an upper perspective view of my new design of FIG. 4.

The features shown in broken lines are for illustrative purposes only and form no part of the claimed Design. No claim is made to texture, surface finish, or surface ornamentation.

**1 Claim, 5 Drawing Sheets**



(56)

References Cited

U.S. PATENT DOCUMENTS

3,151,343 A \* 10/1964 McCormick ..... A47D 13/02  
5/627  
3,229,873 A \* 1/1966 Hershman ..... A47D 13/025  
224/160  
3,323,150 A \* 6/1967 Rehder ..... A47D 15/008  
128/872  
3,476,108 A \* 11/1969 Matukas ..... A61F 5/37  
128/879  
3,481,517 A \* 12/1969 Aukerman ..... A47D 13/025  
224/160  
3,489,194 A \* 1/1970 Hoover ..... A45C 9/00  
190/1  
3,547,079 A \* 12/1970 Bassett ..... A01K 1/0254  
119/497  
3,737,923 A \* 6/1973 Prolo ..... A61G 1/01  
128/870  
3,739,399 A \* 6/1973 Sheahon ..... A41B 13/06  
2/69.5  
3,775,784 A \* 12/1973 Fry ..... A61G 1/003  
5/81.1 C  
4,008,687 A \* 2/1977 Keys ..... A01K 1/0353  
119/482  
4,137,870 A \* 2/1979 Cano ..... A01K 13/006  
119/416  
4,186,453 A \* 2/1980 Burns ..... A61G 1/044  
5/494  
4,428,514 A \* 1/1984 Elf ..... A47D 13/025  
224/155  
D277,811 S \* 3/1985 Moore ..... D3/214  
4,597,121 A \* 7/1986 Bouma ..... A41B 13/06  
2/69  
D289,806 S \* 5/1987 Hadaway ..... D30/151  
4,667,355 A \* 5/1987 Nishijima ..... A61G 1/003  
5/625  
D302,610 S \* 8/1989 Slawinski ..... D30/109  
4,886,150 A \* 12/1989 Fitzsimmons ..... A45C 9/00  
190/1  
5,046,204 A \* 9/1991 Mohler ..... A41B 13/06  
2/69

5,060,597 A \* 10/1991 Fredericks ..... A01K 13/003  
119/678  
D322,695 S \* 12/1991 LaDue ..... 224/159  
5,121,743 A \* 6/1992 Bishop ..... A61F 5/05866  
128/879  
5,211,186 A \* 5/1993 Shoemaker ..... A61F 5/05883  
128/869  
5,341,548 A \* 8/1994 Zerick ..... A22B 7/008  
190/125  
D356,210 S \* 3/1995 Howell ..... D3/227  
5,402,869 A \* 4/1995 Saltzman ..... A45C 7/0086  
150/113  
5,950,261 A \* 9/1999 Hay ..... A41B 13/06  
2/69  
6,052,877 A \* 4/2000 Richard ..... A22B 7/008  
27/1  
D425,696 S \* 5/2000 Swanke ..... D3/213  
D438,361 S \* 2/2001 Robinson ..... D99/5  
D443,400 S \* 6/2001 Robinson ..... D99/5  
D579,172 S \* 10/2008 Mytych ..... D99/5  
D629,584 S \* 12/2010 Riehl ..... D99/5  
D632,455 S \* 2/2011 School ..... D99/5  
D636,452 S \* 4/2011 Majors ..... D21/803  
D654,245 S \* 2/2012 School ..... D99/5  
D725,734 S \* 3/2015 Sosnowski ..... D21/803  
D786,425 S \* 5/2017 Fahl ..... D24/118  
2004/0019969 A1 \* 2/2004 Gatten ..... A41B 13/06  
5/482  
2009/0260203 A1 \* 10/2009 Baumhauer ..... A61G 17/06  
27/1  
2011/0119831 A1 \* 5/2011 Rincon ..... A61G 1/01  
5/627  
2014/0174378 A1 \* 6/2014 Bartholomew ..... A61G 1/01  
119/843  
2015/0150386 A1 \* 6/2015 Patel ..... A47D 15/008  
5/424  
2015/0283007 A1 \* 10/2015 Carlson ..... A61G 1/013  
5/627  
2016/0051424 A1 \* 2/2016 Starr ..... A61G 7/1023  
128/876

\* cited by examiner

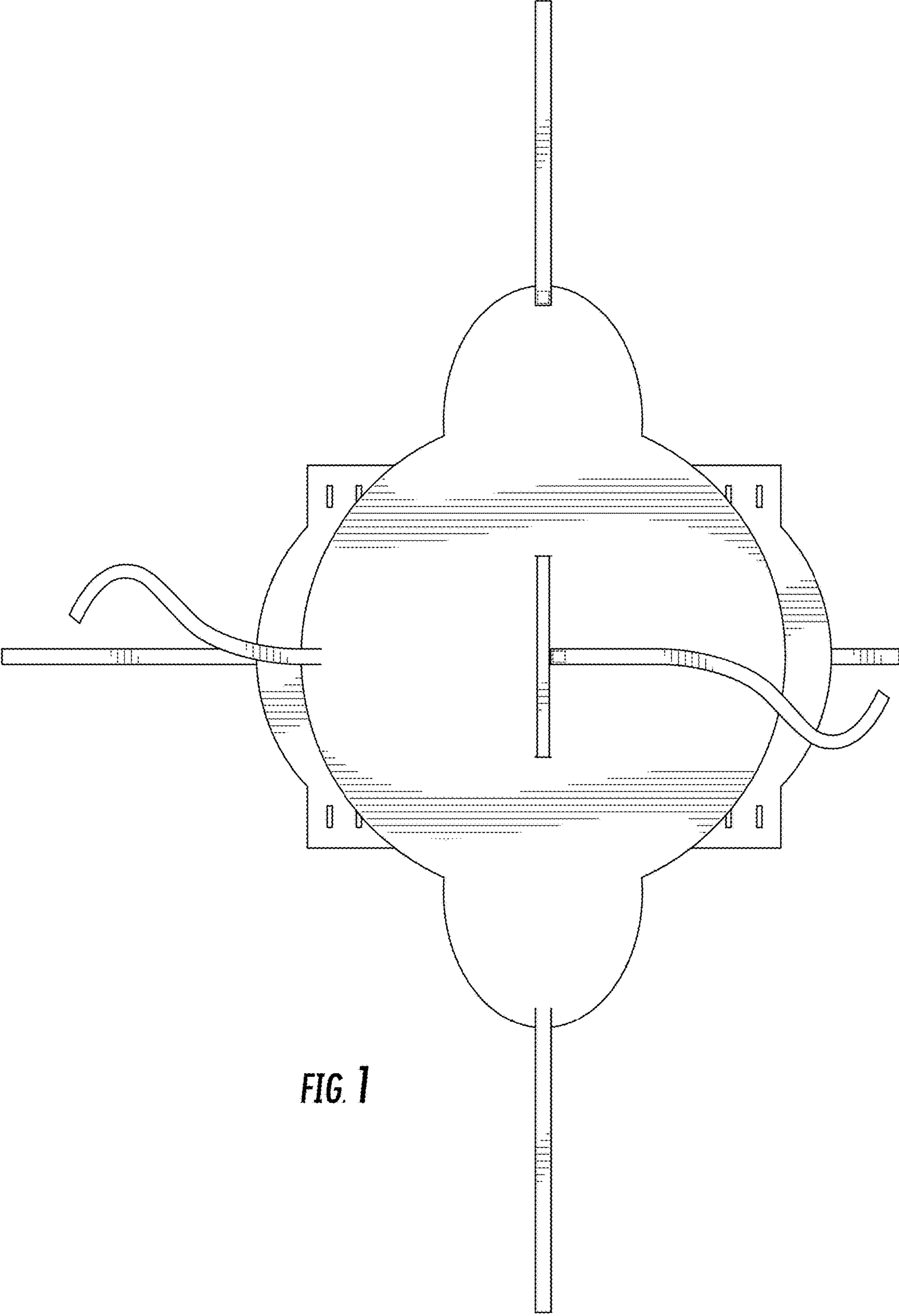


FIG. 1

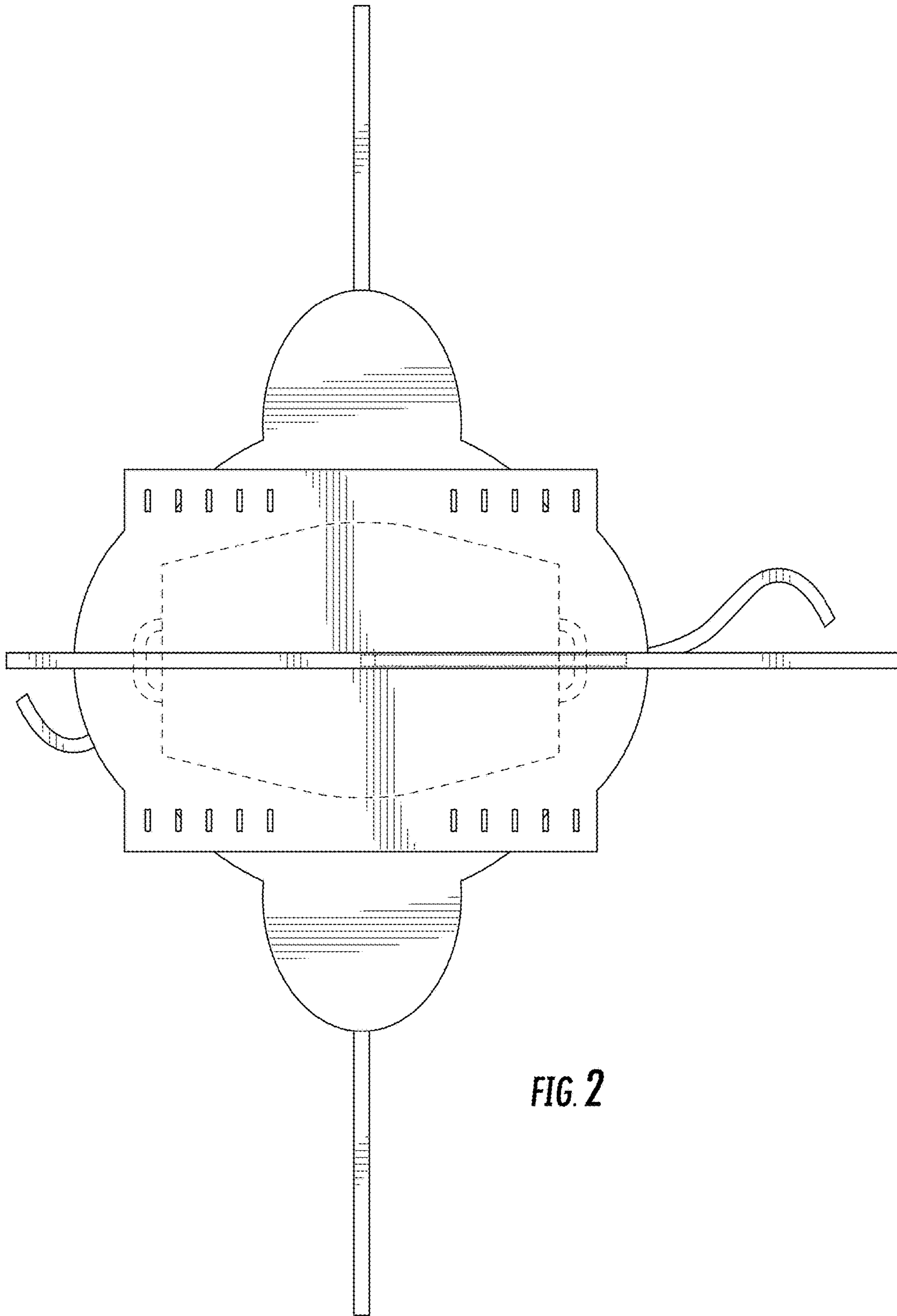


FIG. 2

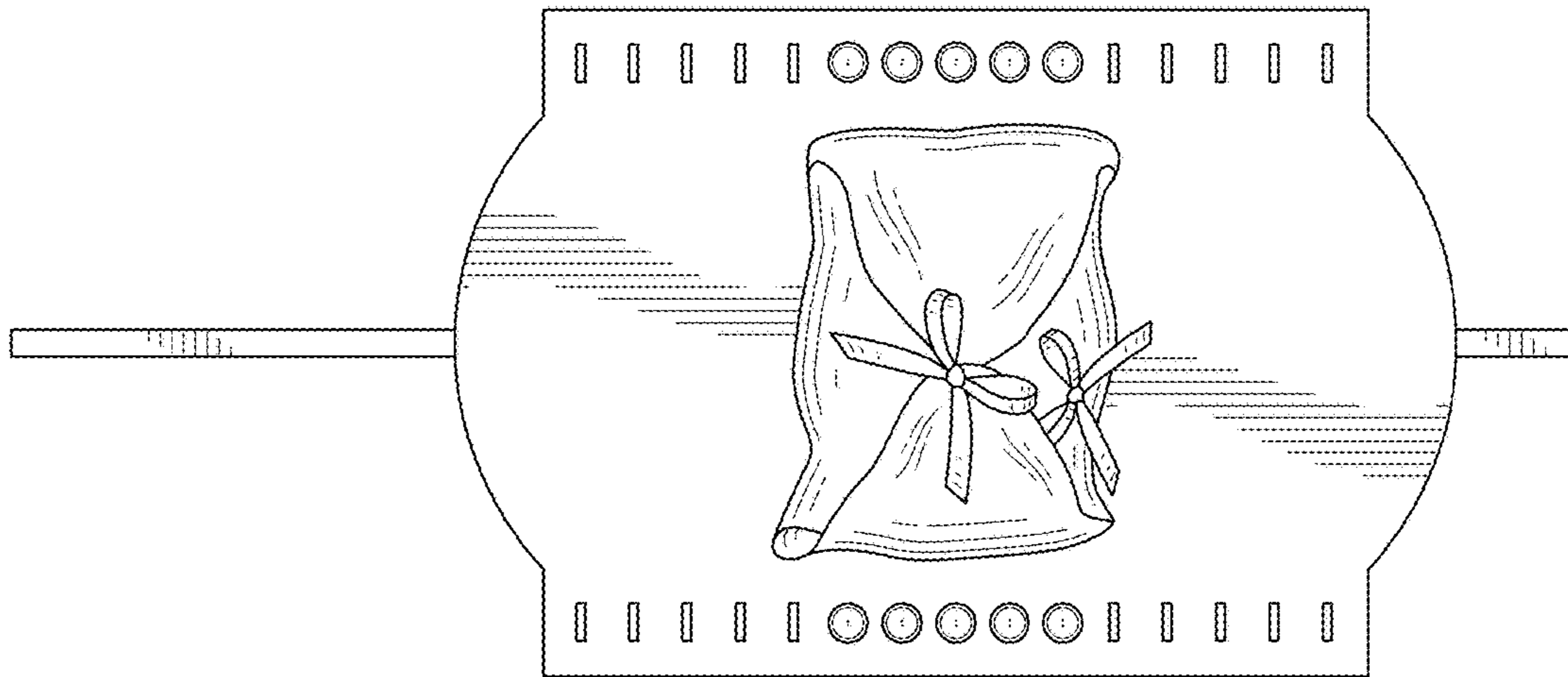


FIG. 3

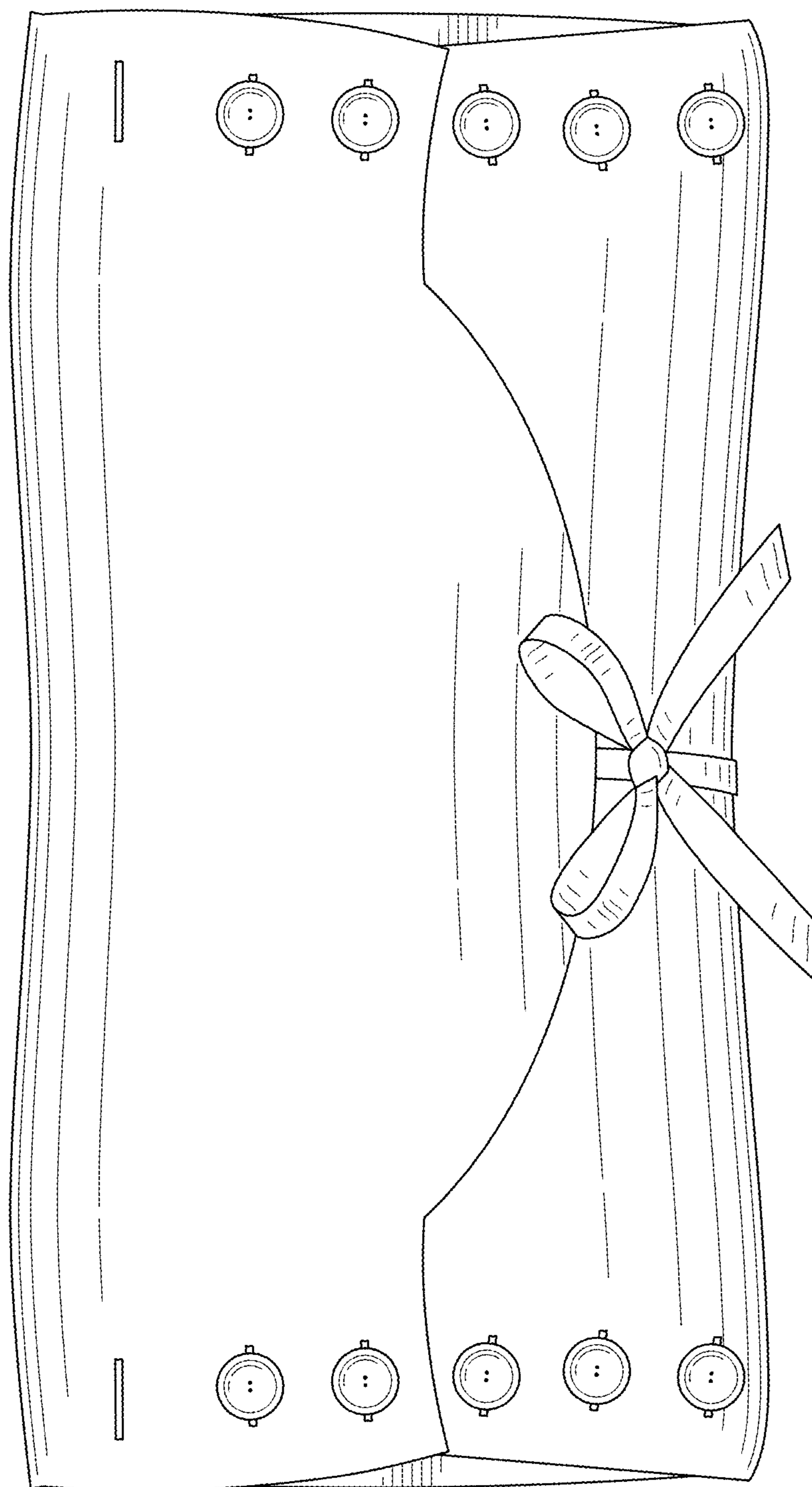


FIG. 4

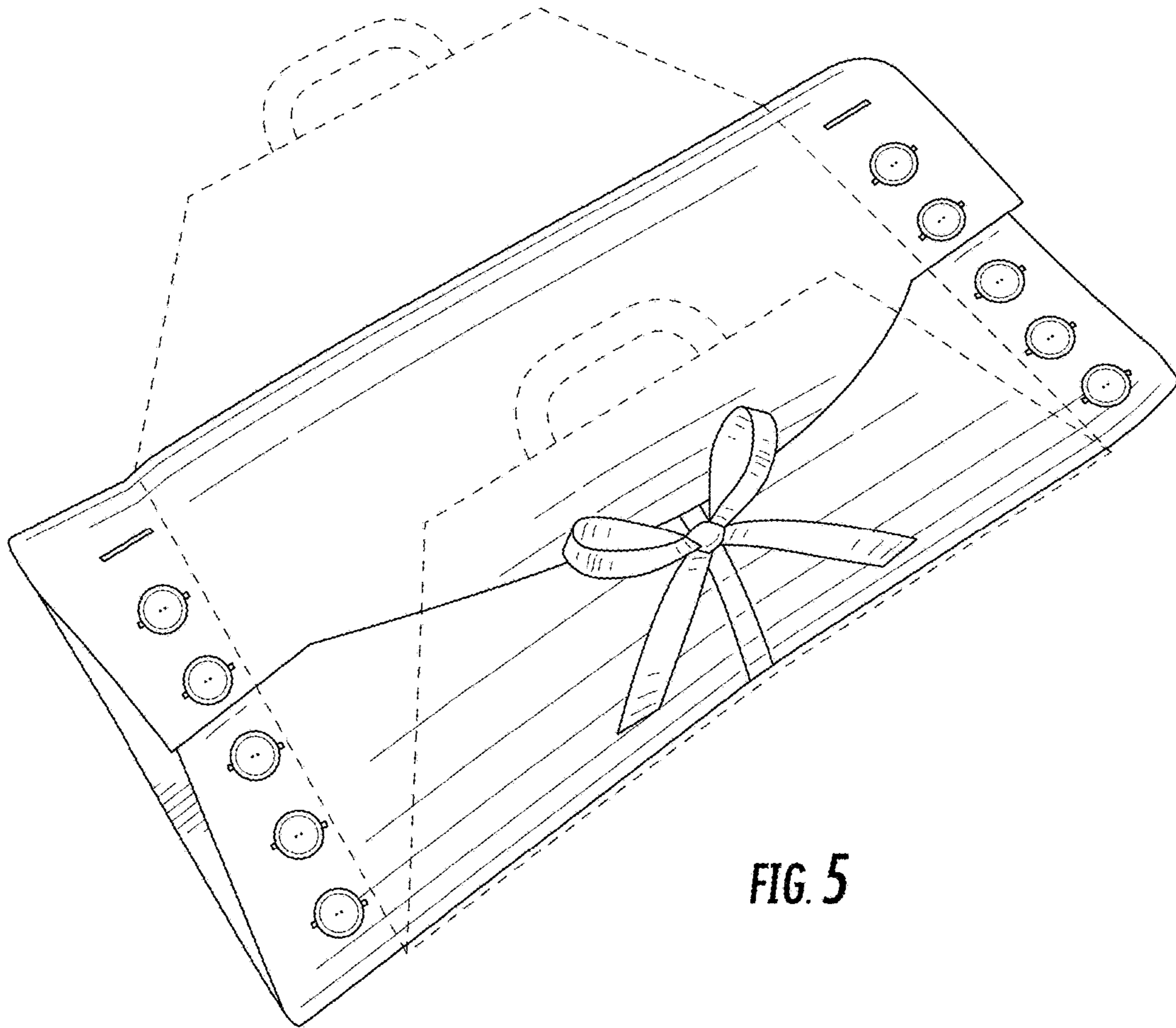


FIG. 5