



US00D814135S

(12) **United States Design Patent**  
**McMurtrey et al.**

(10) **Patent No.:** **US D814,135 S**  
(45) **Date of Patent:** **\*\* Mar. 27, 2018**

(54) **CART**

(71) Applicant: **Unarco Industries LLC**, Wagoner, OK (US)

(72) Inventors: **Wesley McMurtrey**, Bixby, OK (US);  
**Valentin E. Alvarez**, Broken Arrow, OK (US); **Gregory Alan Cox**, Muskogee, OK (US); **Mamie Elizabeth Dayan Vogel**, Atlanta, GA (US); **Stephen Michael Seymour**, Edmond, OK (US); **Garrett David Johnson**, Oklahoma City, OK (US)

(73) Assignee: **Unarco Industries LLC**, Wagoner, OK (US)

(\*\*) Term: **15 Years**

(21) Appl. No.: **29/591,984**

(22) Filed: **Jan. 25, 2017**

(51) **LOC (11) Cl.** ..... **12-02**

(52) **U.S. Cl.**  
USPC ..... **D34/27**

(58) **Field of Classification Search**  
USPC ..... D34/12, 13, 16, 17, 20, 21, 22, 23, 26, D34/27; 280/651, 47.34, 47.26, 47.19, 280/47.35, 30, 47.17, 654, 659, 79.11  
CPC ..... B62B 1/12; B62B 5/0438; B62B 3/027; B62B 2206/006; B62B 3/0606  
See application file for complete search history.

(56) **References Cited**

**U.S. PATENT DOCUMENTS**

D542,997 S \* 5/2007 Coderre ..... D34/17

D548,421 S \* 8/2007 Walter ..... D34/17  
D576,372 S \* 9/2008 Walter ..... D34/17  
D580,617 S \* 11/2008 Walter ..... D34/12  
D584,023 S \* 12/2008 Walter ..... D34/12  
D615,723 S \* 5/2010 Walter ..... D34/12  
D700,762 S \* 3/2014 Walter ..... D34/27  
D742,088 S \* 10/2015 Walter ..... D34/21  
9,371,084 B2 \* 6/2016 Peters ..... B62B 3/027  
D800,986 S \* 10/2017 Magnusson ..... D34/17

\* cited by examiner

*Primary Examiner* — Cynthia Ramirez

*Assistant Examiner* — Gino Colan

(74) *Attorney, Agent, or Firm* — Banner & Witcoff, Ltd.

(57) **CLAIM**

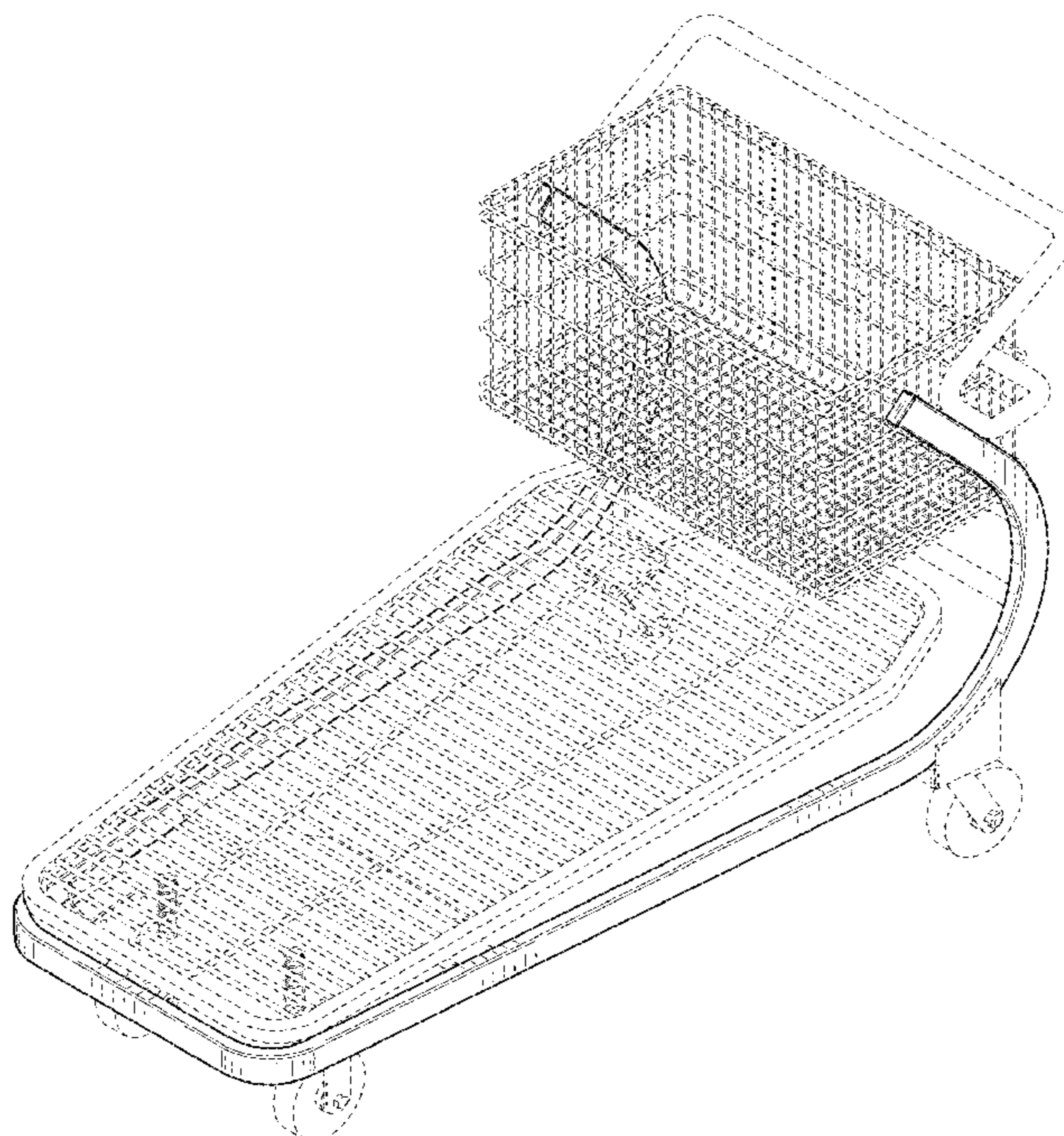
The ornamental design for a cart, as shown and described.

**DESCRIPTION**

FIG. 1 is a top, front, right perspective view of a cart showing our new design;  
FIG. 2 is a front view thereof;  
FIG. 3 is a rear view thereof;  
FIG. 4 is a right side view thereof;  
FIG. 5 is a left side view thereof;  
FIG. 6 is a top view thereof; and,  
FIG. 7 is a bottom view thereof.

The broken lines shown in the figures are for the purpose of illustrating portions of the cart that form no part of the claimed design.

**1 Claim, 7 Drawing Sheets**



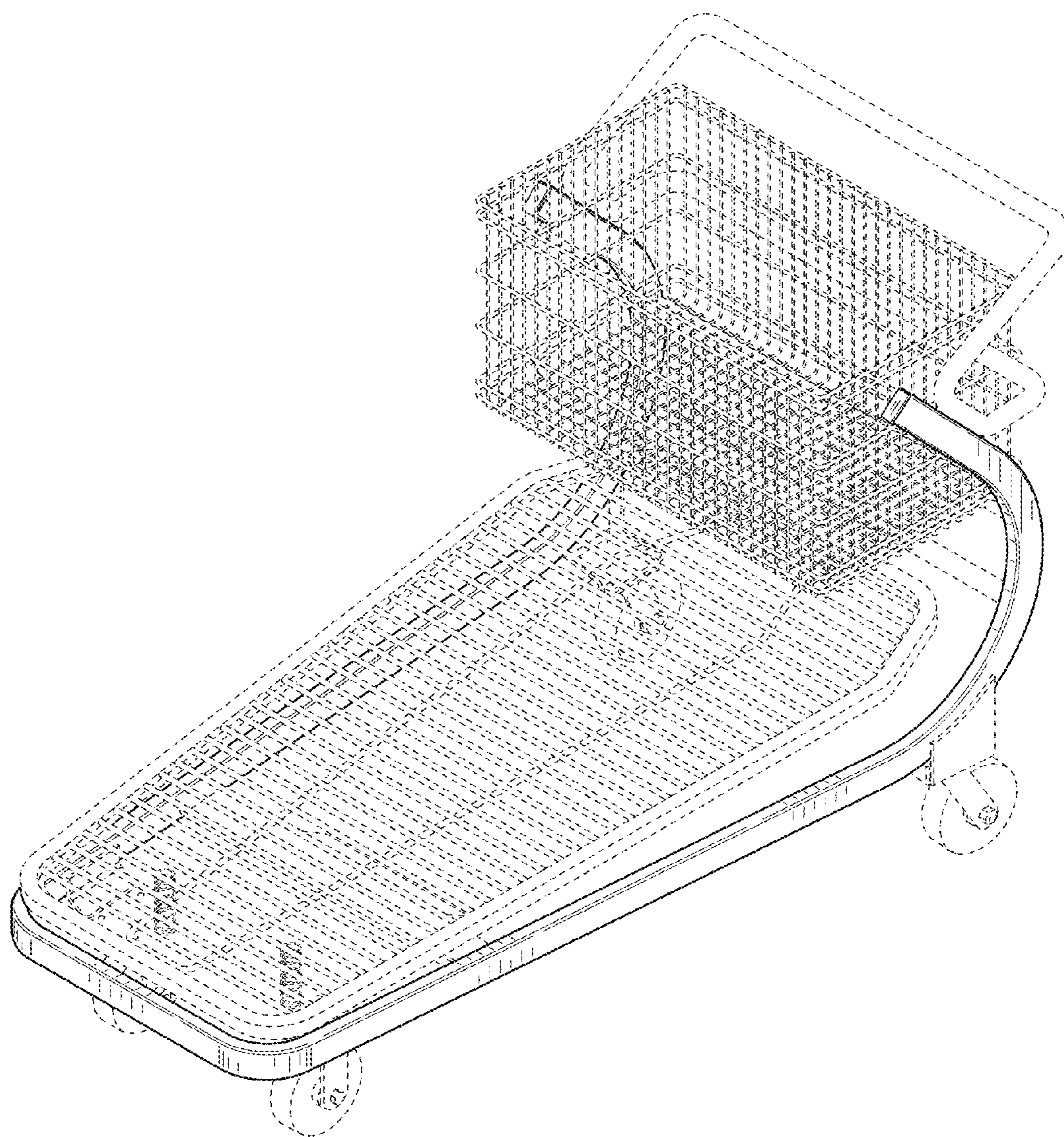


FIG. 1

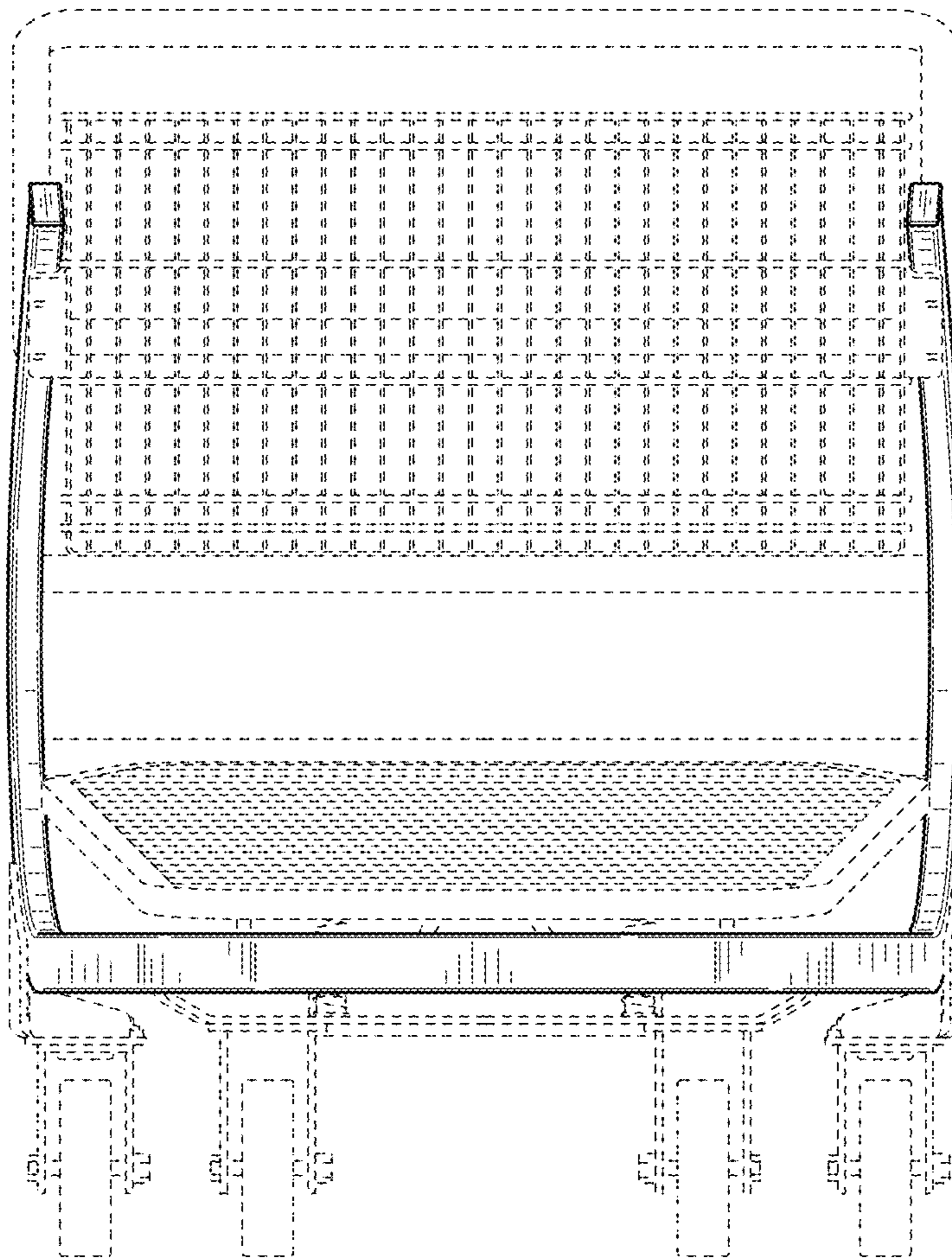


FIG. 2

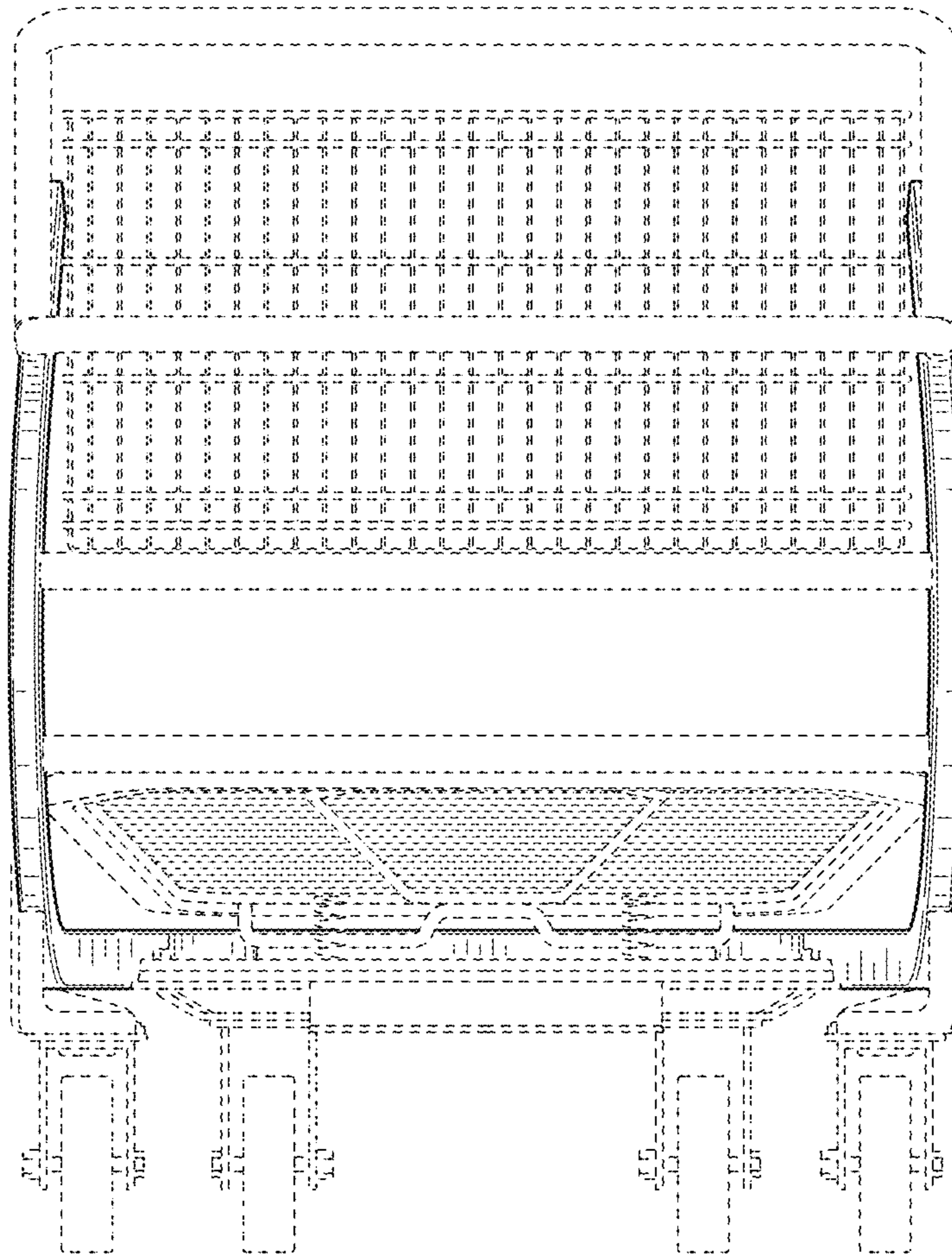


FIG. 3

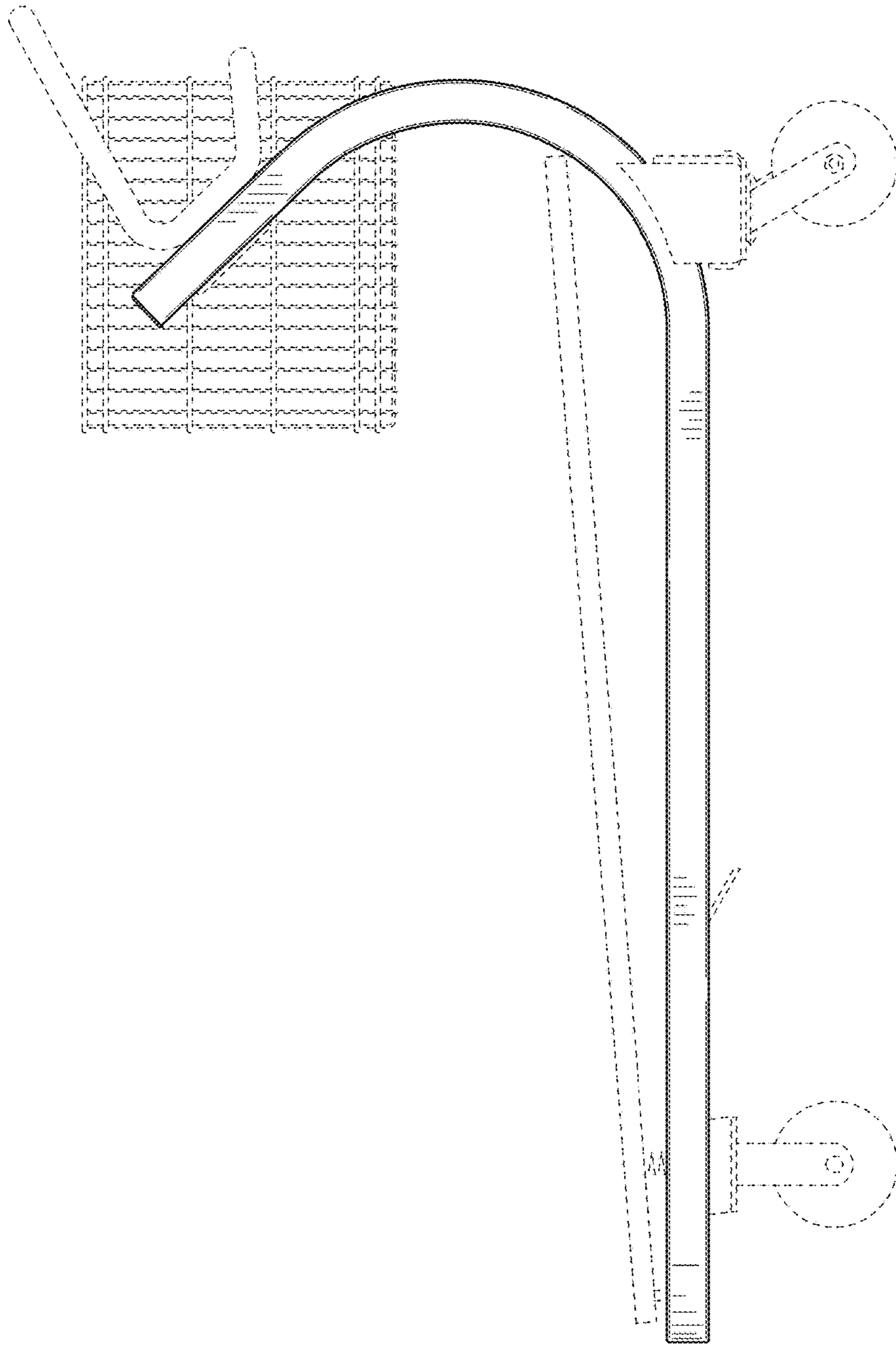


FIG. 4

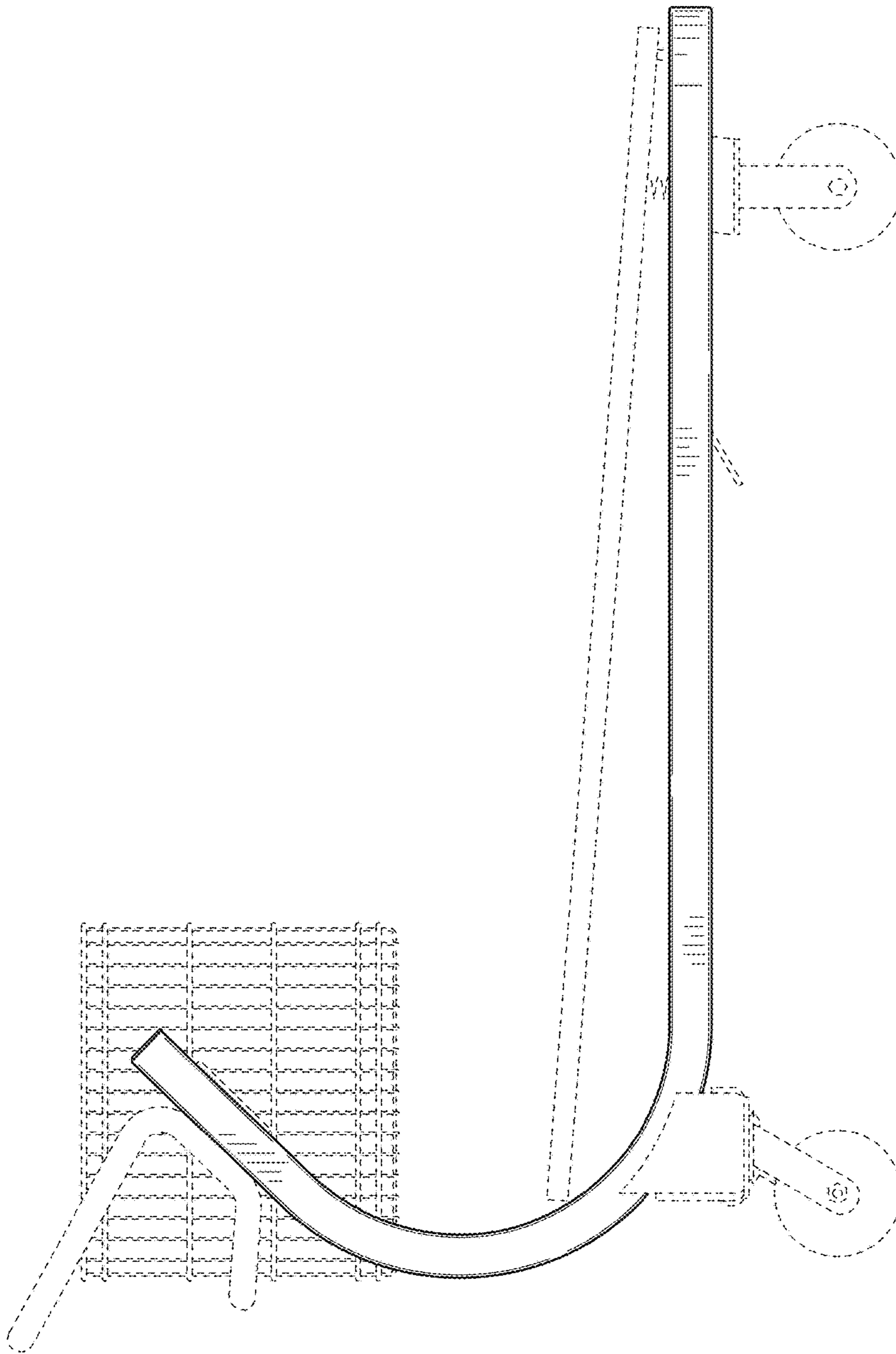


FIG. 5

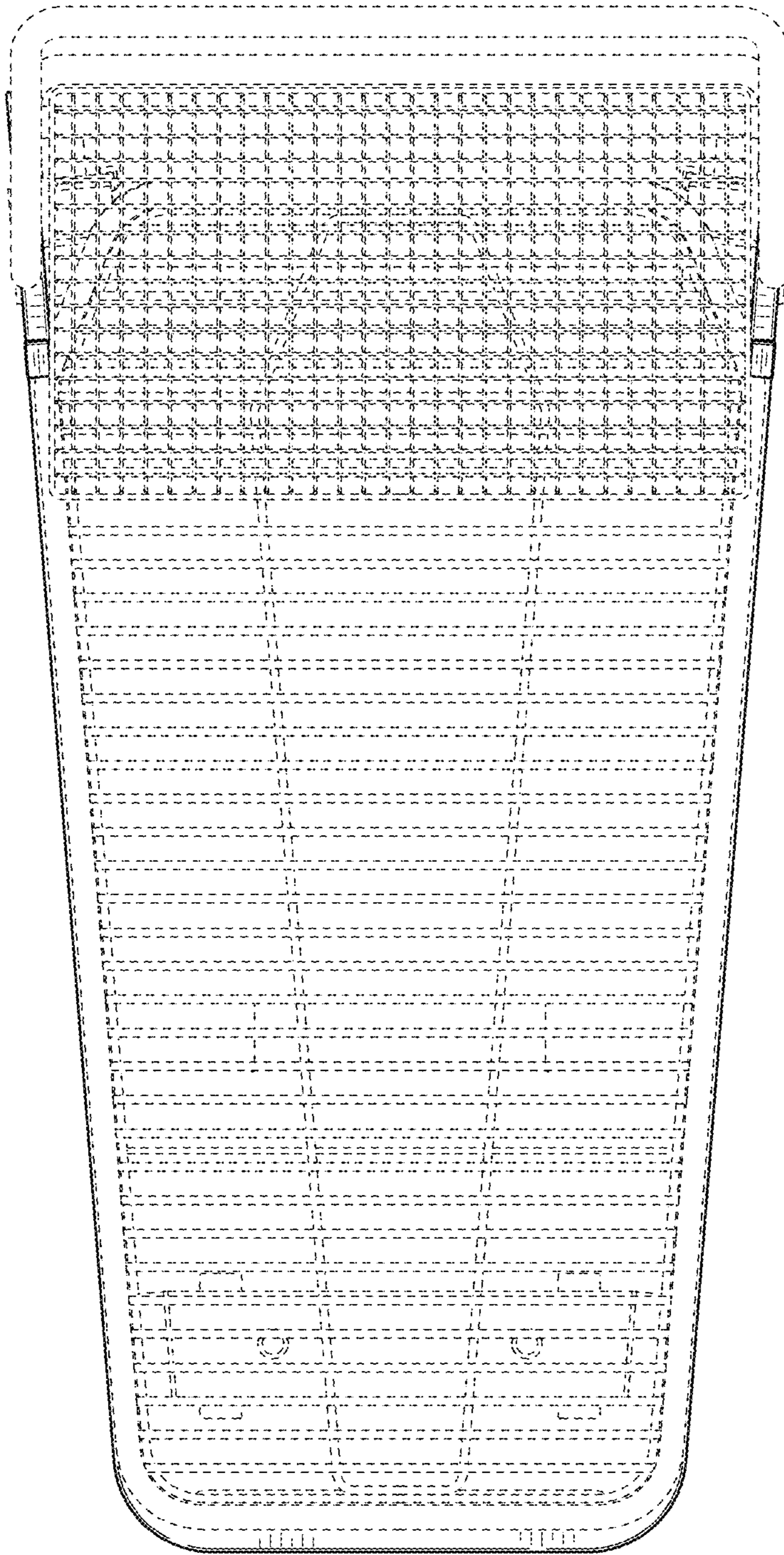


FIG. 6

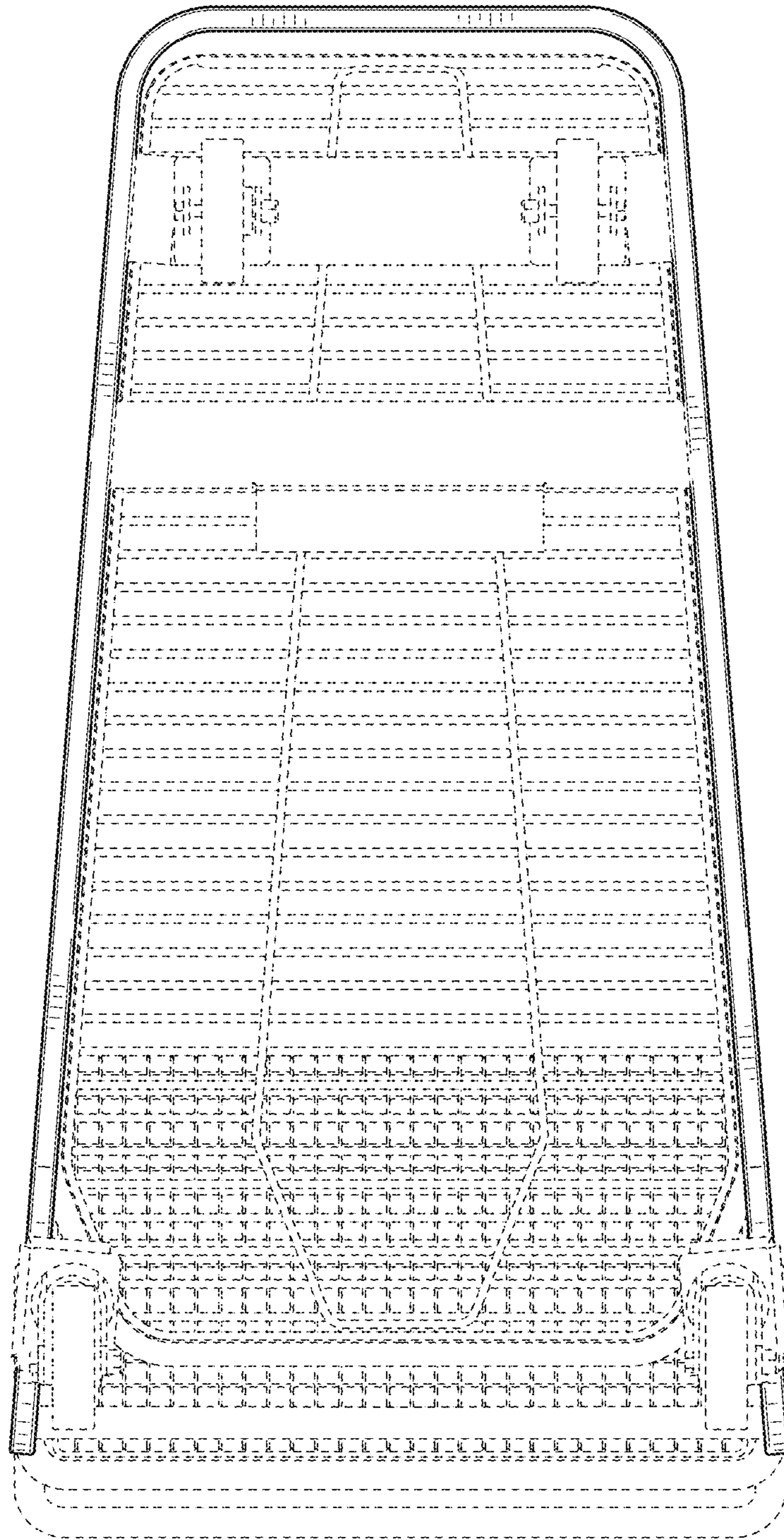


FIG. 7