



US00D814134S

(12) **United States Design Patent**
Whiteside et al.

(10) **Patent No.:** **US D814,134 S**
(45) **Date of Patent:** **** Mar. 27, 2018**

(54) **SIDE RAILS OF A CREEPER FRAME**

(71) Applicant: **Whiteside Mfg. Co.**, Delaware, OH
(US)

(72) Inventors: **Kirt E. Whiteside**, Marion, OH (US);
Chad E. Mays, Delaware, OH (US)

(73) Assignee: **Whiteside Mfg. Co.**, Delaware, OH
(US)

(**) Term: **15 Years**

(21) Appl. No.: **29/582,353**

(22) Filed: **Oct. 27, 2016**

(51) **LOC (11) Cl.** **12-02**

(52) **U.S. Cl.**

USPC **D34/27; D34/23**

(58) **Field of Classification Search**

USPC **D34/23, 27**

CPC . **B62B 5/0083; B62B 5/06; B62B 5/04; B62B**
3/00; B60B 33/0002

See application file for complete search history.

(56) **References Cited**

U.S. PATENT DOCUMENTS

D396,920 S * 8/1998 Whiteside D34/23
D406,432 S * 3/1999 Taylor D34/23
D406,683 S * 3/1999 Taylor D34/23

D436,708 S * 1/2001 Whiteside D34/23
D458,432 S * 6/2002 Whiteside D34/23
D460,237 S * 7/2002 Hart D34/23
D521,708 S * 5/2006 Obbitts D34/23
D522,707 S * 6/2006 Obbitts D34/23
D532,177 S * 11/2006 Hernandez D34/23
D566,374 S * 4/2008 Whiteside D34/23
D613,923 S * 4/2010 Ludlow D34/16

* cited by examiner

Primary Examiner — Cynthia Ramirez

(74) *Attorney, Agent, or Firm* — Renner, Kenner, Greive,
Bobak, Taylor & Weber

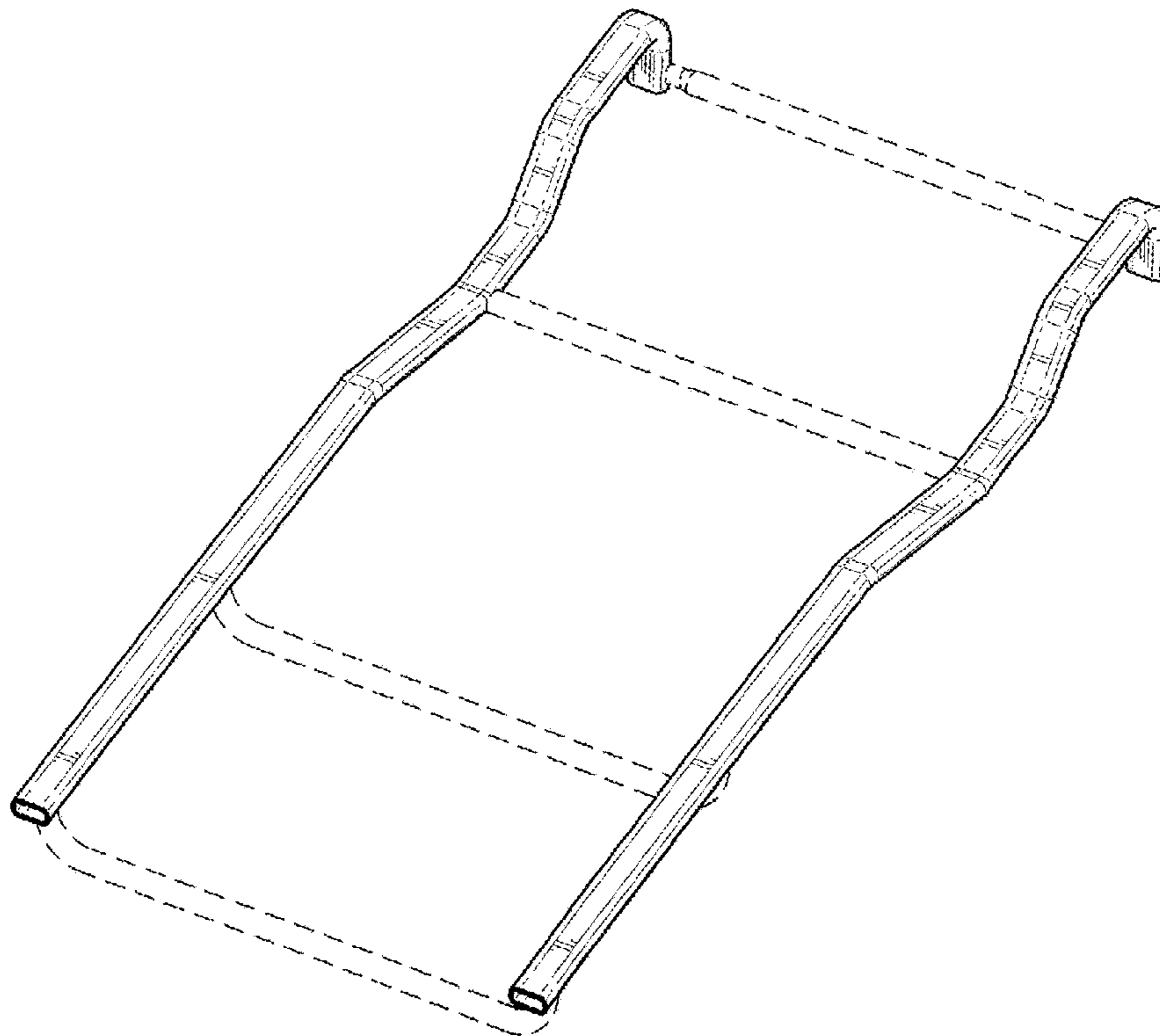
(57) **CLAIM**

The ornamental design for a side rails of a creeper frame, as shown and described.

DESCRIPTION

FIG. 1 is a top, rear, right side perspective view of the side rails of a creeper frame showing our new design; FIG. 2 is a top plan view thereof; FIG. 3 is a bottom plan view thereof; FIG. 4 is a left side elevational view thereof; FIG. 5 is a right side elevational view thereof; FIG. 6 is a rear elevational view thereof; FIG. 7 is a front elevational view thereof; and, FIG. 8 is a top, front, left side perspective view thereof. The dotted lines are shown for environment and are not part of the claimed design.

1 Claim, 6 Drawing Sheets



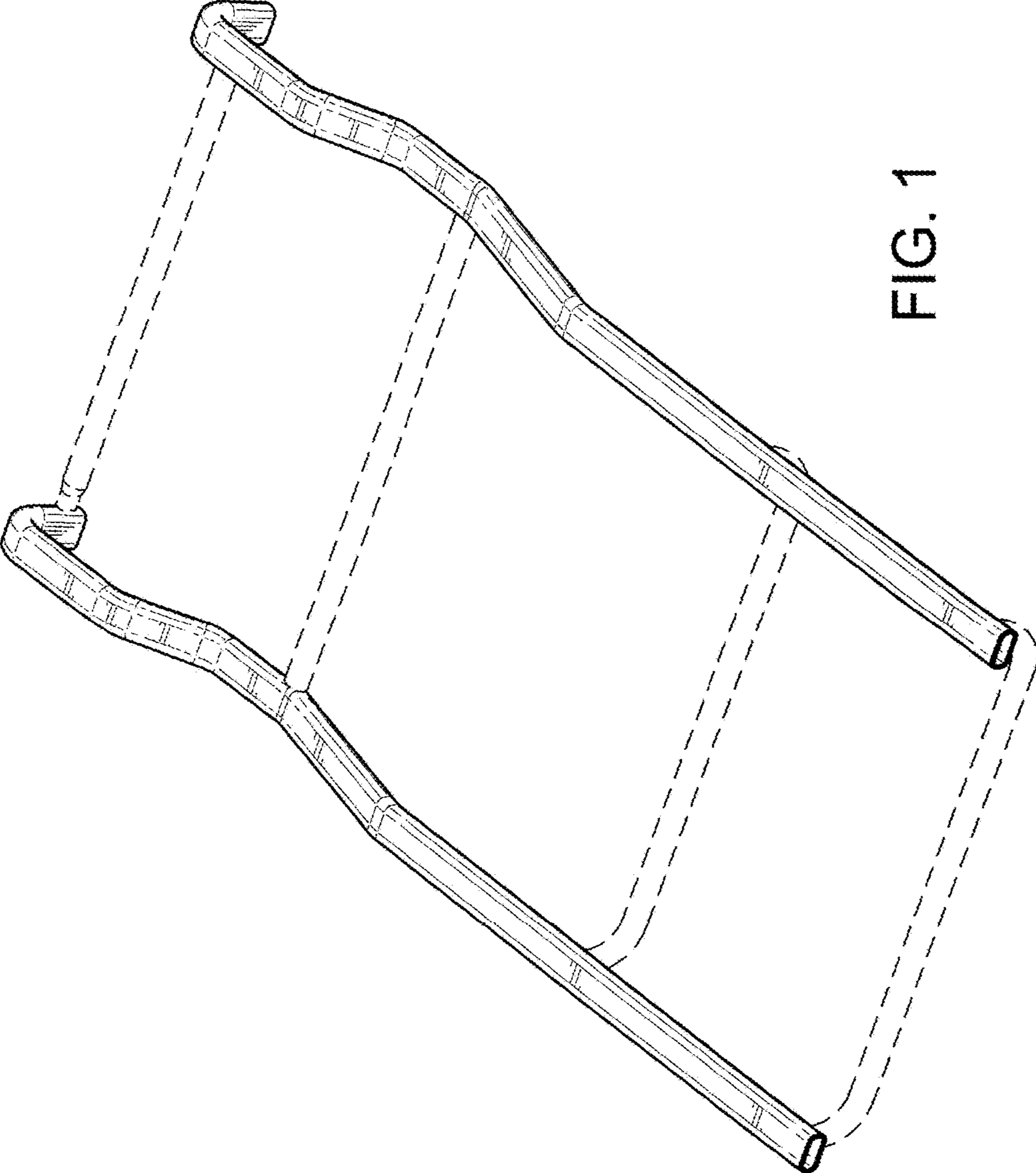


FIG. 1

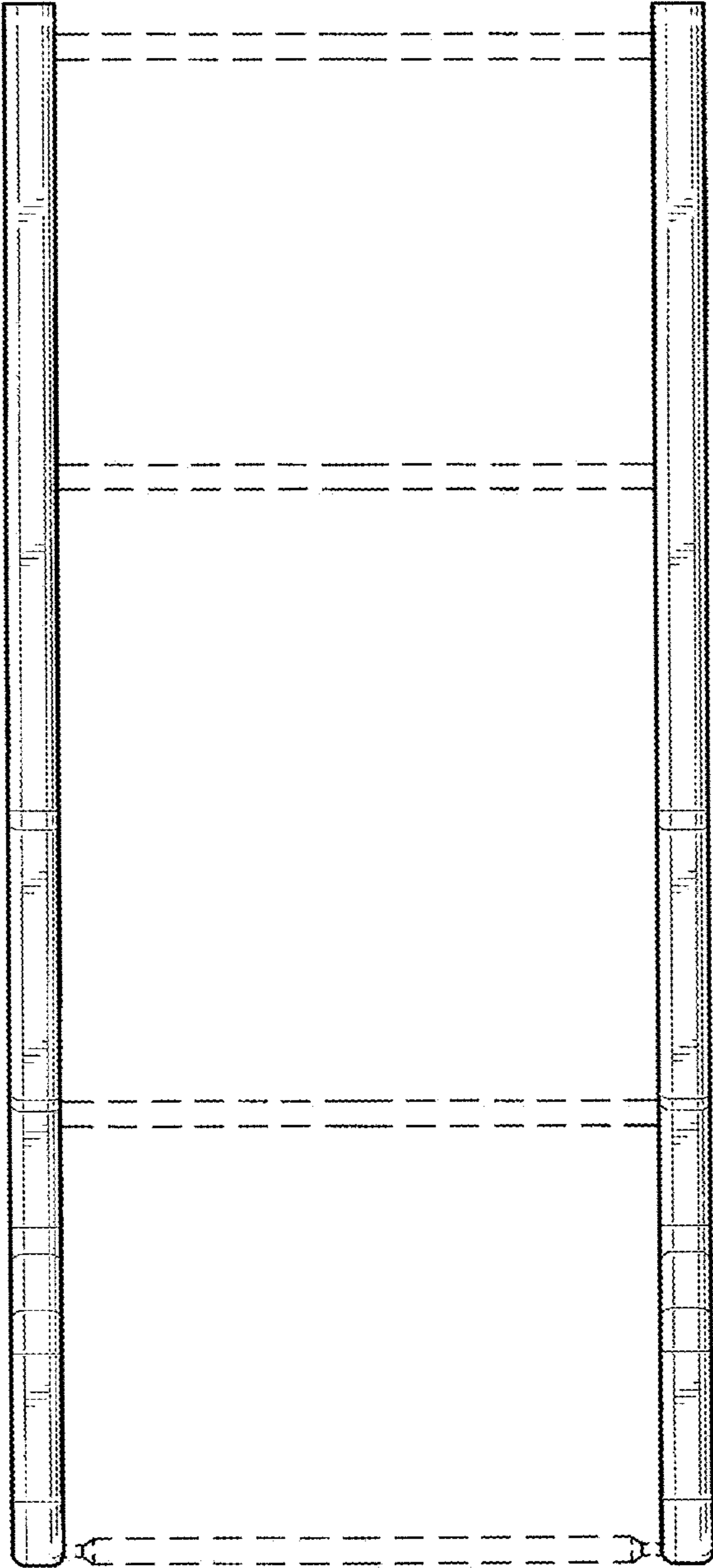


FIG. 2

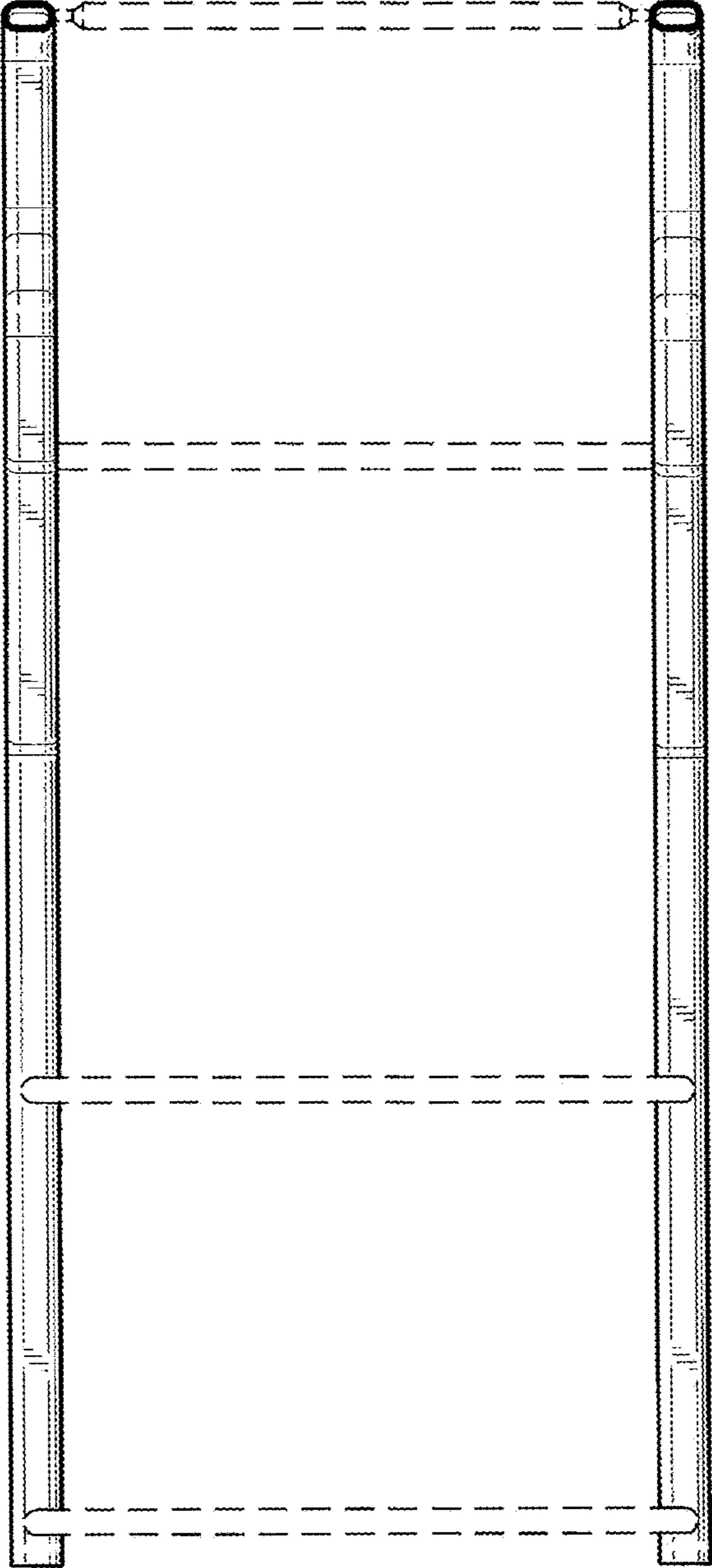


FIG. 3

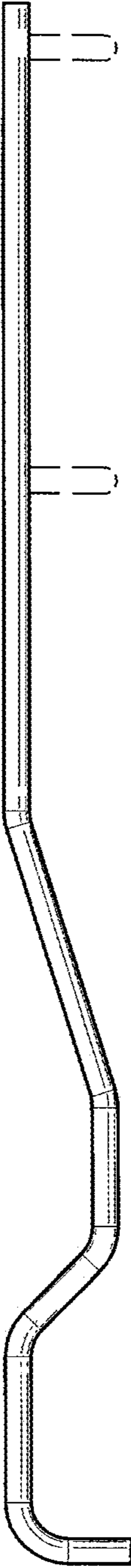


FIG. 4

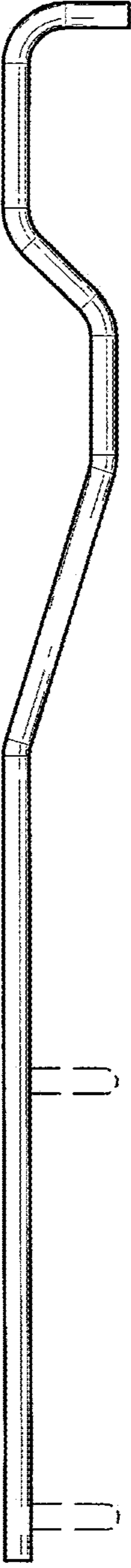


FIG. 5

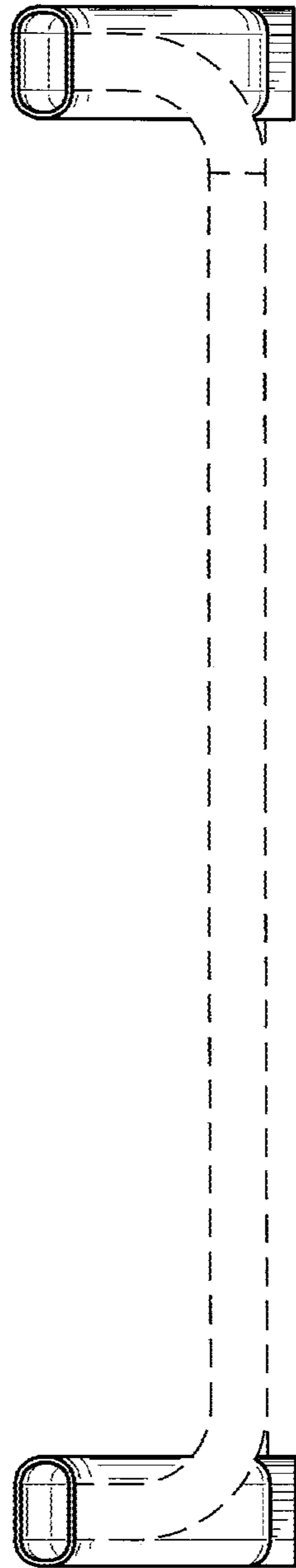


FIG. 6

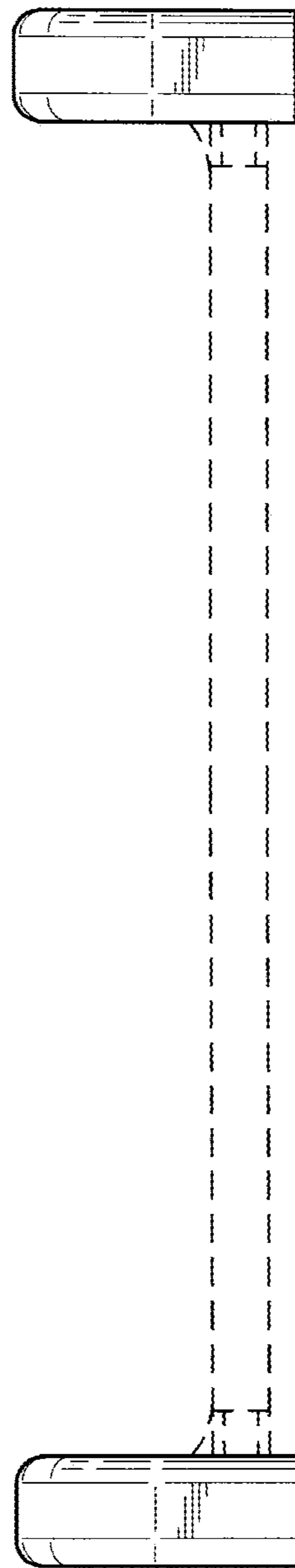


FIG. 7

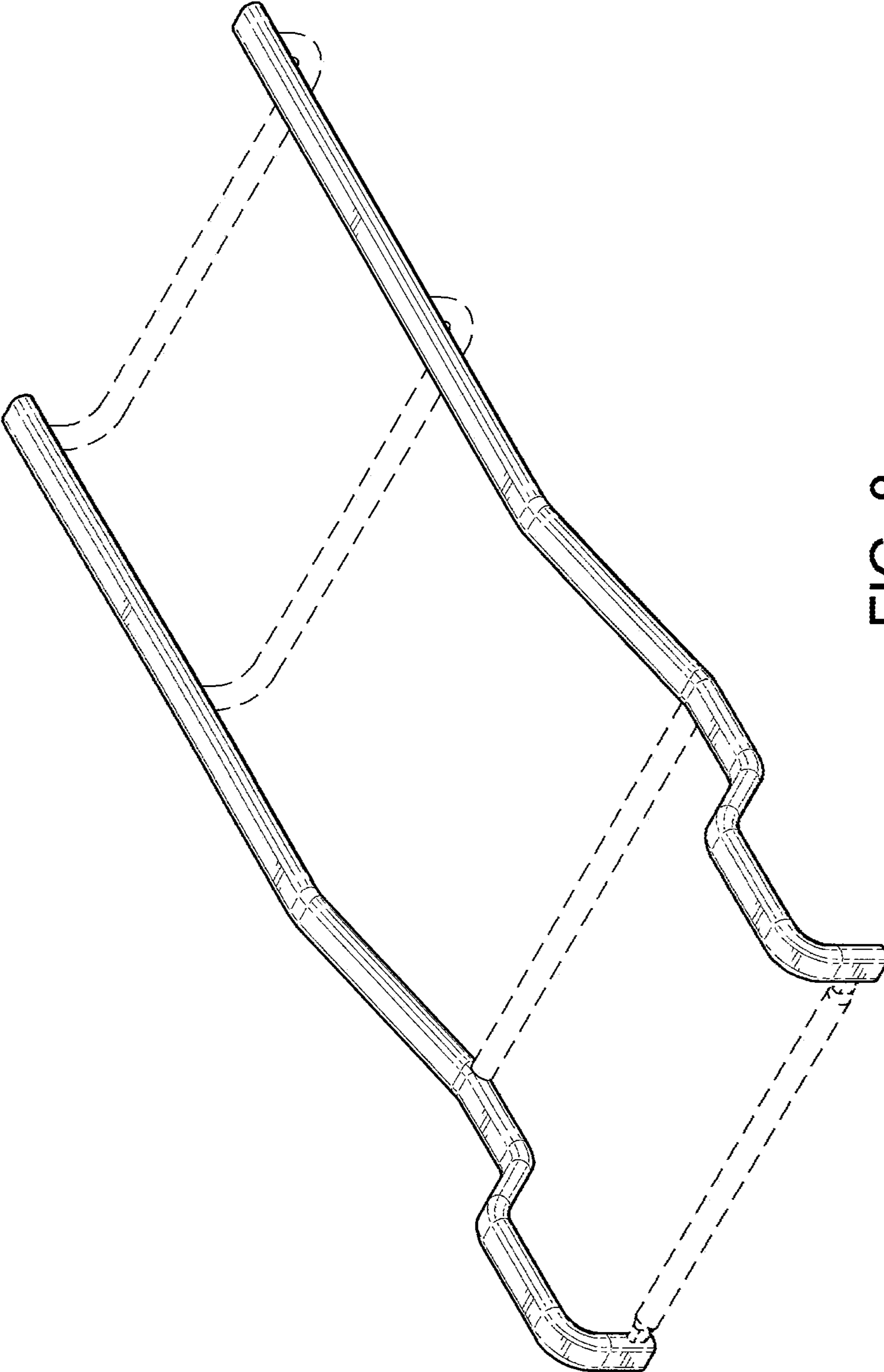


FIG. 8