



US00D814133S

(12) **United States Design Patent**
Curtis

(10) **Patent No.:** **US D814,133 S**

(45) **Date of Patent:** **** Mar. 27, 2018**

(54) **CART**

(71) Applicant: **4 C's Spray Equipment Rental, LLC,**
Carlisle, PA (US)

(72) Inventor: **Timothy E. Curtis,** Carlisle, PA (US)

(73) Assignee: **4 C's Spray Equipment Rental, LLC,**
Carlisle, PA (US)

(**) Term: **15 Years**

(21) Appl. No.: **29/591,321**

(22) Filed: **Jan. 19, 2017**

(51) **LOC (11) Cl.** **12-02**

(52) **U.S. Cl.**
USPC **D34/26**

(58) **Field of Classification Search**
USPC D34/12, 13, 16, 17, 20, 21, 22, 23, 26,
D34/27, 24; 280/651, 47.34, 47.26,
280/47.19, 47.35, 30, 47.17, 654, 659,
280/79.11, 47.27, 47.29, 47.131, 47.18,
280/40, 655, 5.2, 5.32
CPC B62B 1/12; B62B 5/0438; B62B 3/027;
B62B 2206/006; B62B 3/0606
See application file for complete search history.

(56) **References Cited**

U.S. PATENT DOCUMENTS

4,179,132 A * 12/1979 Rich B62B 1/14
280/47.26
D331,303 S * 11/1992 Dunn D34/24
D357,783 S * 4/1995 Jones D34/24

D366,548 S * 1/1996 Morasse D34/24
D395,110 S * 6/1998 O'Neal 280/47.24
6,116,623 A * 9/2000 Salvucci B62B 1/264
280/47.26
D564,724 S 3/2008 Dethier
7,628,407 B1 * 12/2009 Krowl B62B 1/12
280/47.26
8,641,059 B2 * 2/2014 Khodor B62B 1/12
280/47.28
8,651,500 B2 * 2/2014 Mitchell B62B 3/0606
280/47.18
2004/0183265 A1 * 9/2004 Vecchio A47C 5/10
280/47.18

* cited by examiner

Primary Examiner — Cynthia Ramirez

Assistant Examiner — Gino Colan

(74) *Attorney, Agent, or Firm* — Hooker & Habib, P.C.

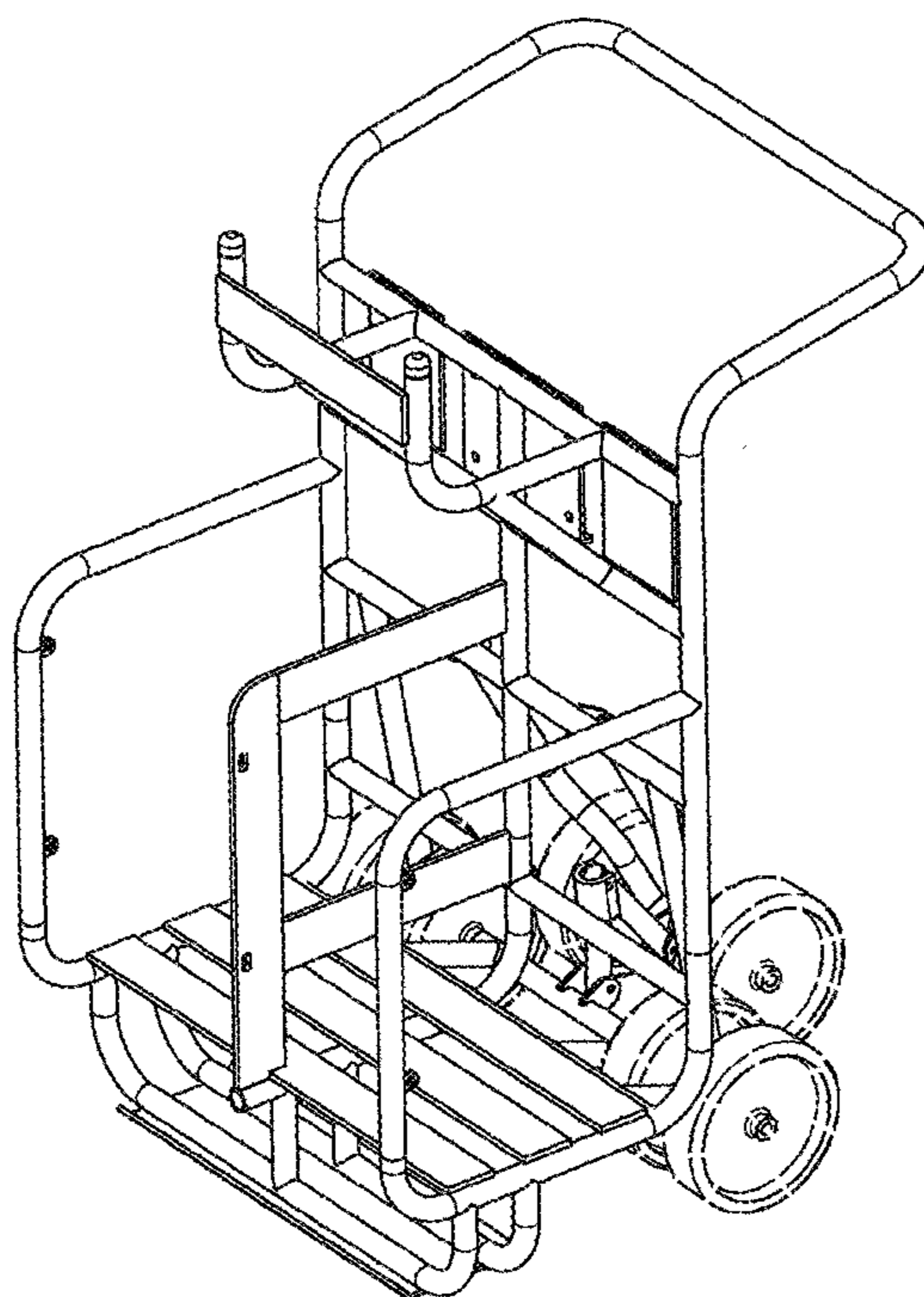
(57) **CLAIM**

The ornamental design for a cart, as shown and described.

DESCRIPTION

FIG. 1 is a top right perspective view of the cart;
FIG. 2 is a top view thereof;
FIG. 3 bottom view thereof;
FIG. 4 is a front view thereof;
FIG. 5 is a back view thereof;
FIG. 6 is a right side view thereof;
FIG. 7 is a left side view thereof;
FIG. 8 is a left side view thereof in an alternate position; and,
FIG. 9 is a left side view thereof in an alternate position.
The broken line shown in the figures are for the purpose of
illustrating portions of the cart and form no part of the
claimed design.

1 Claim, 8 Drawing Sheets



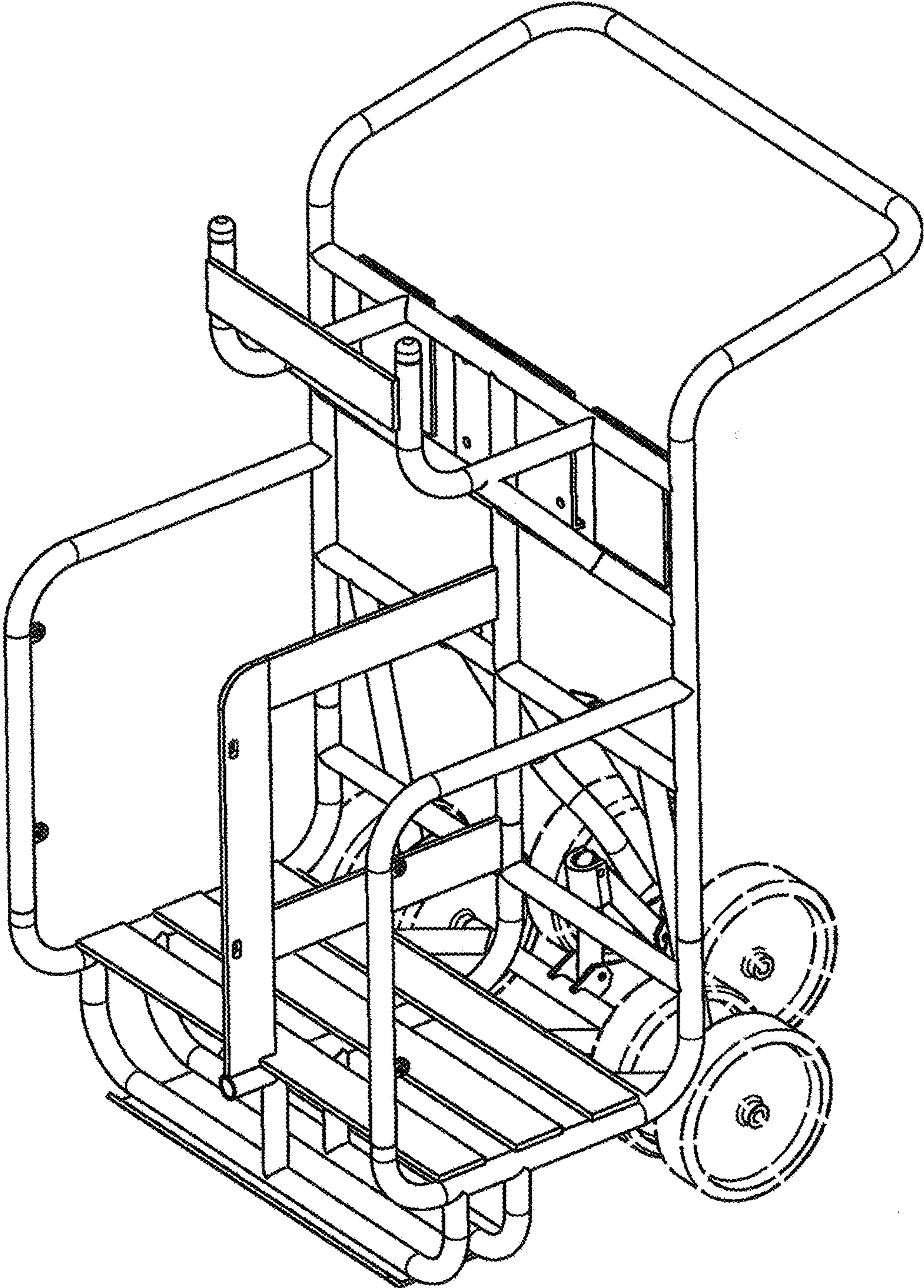


Fig. 1

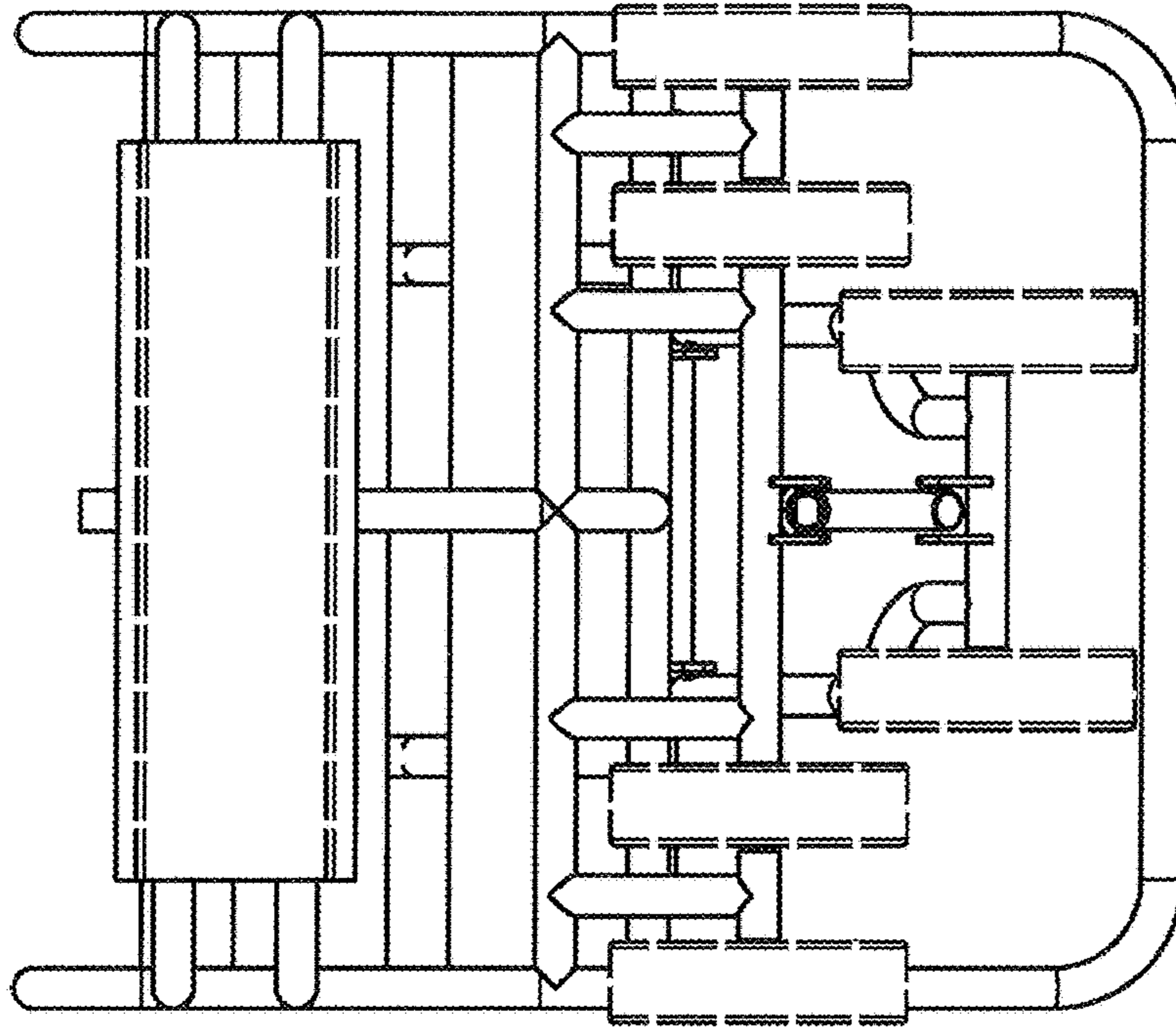


Fig. 2

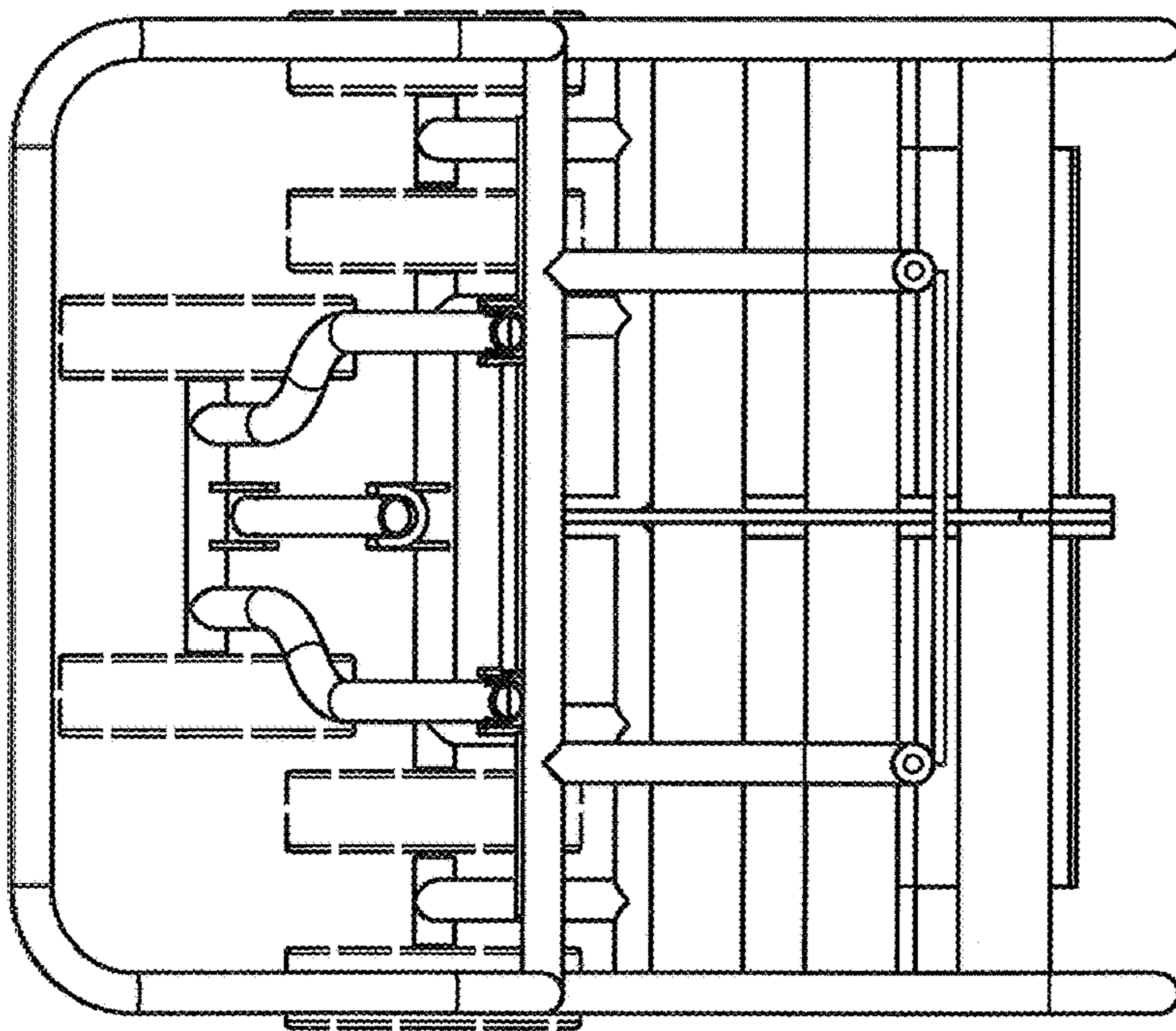


Fig. 3

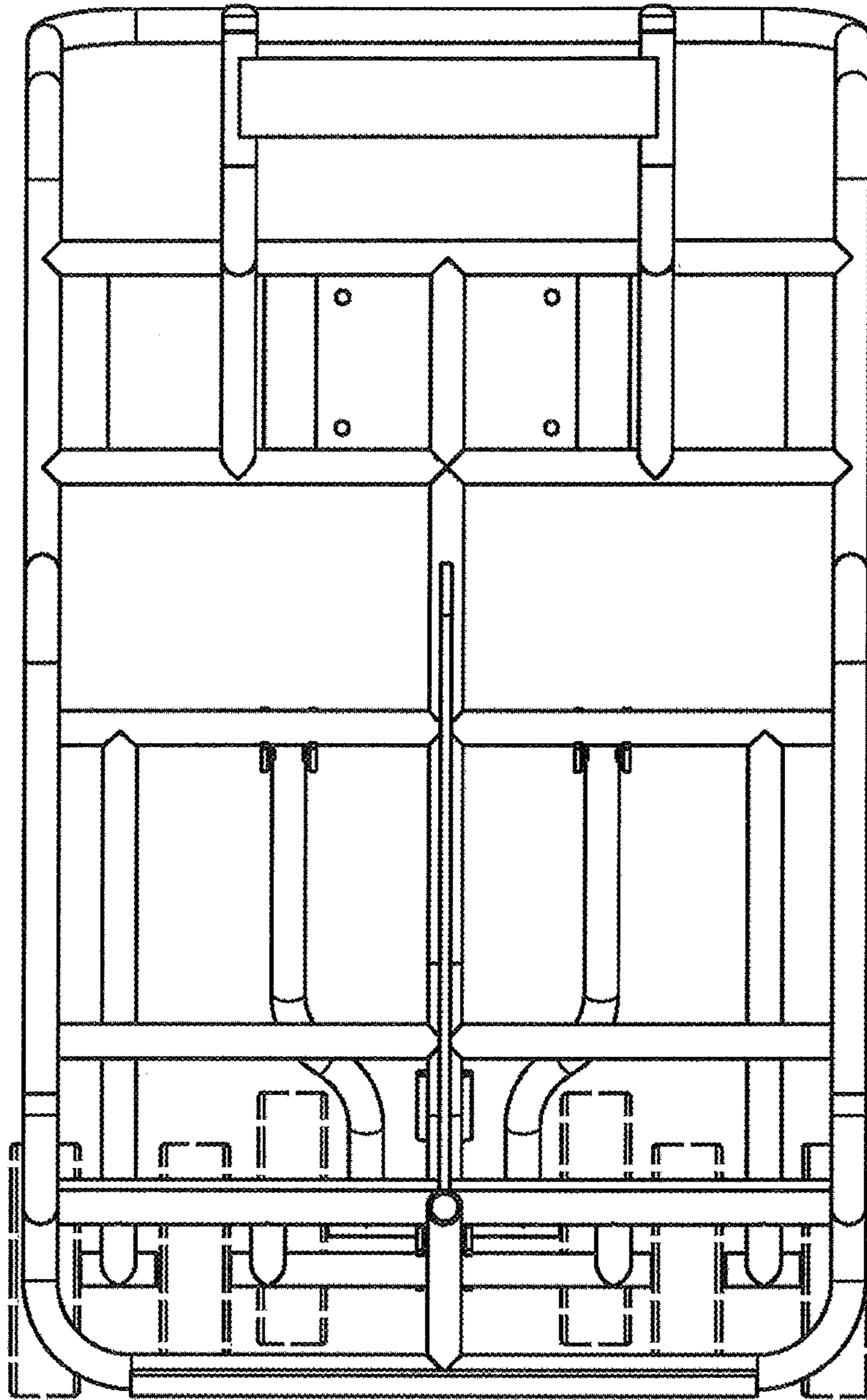


Fig. 4

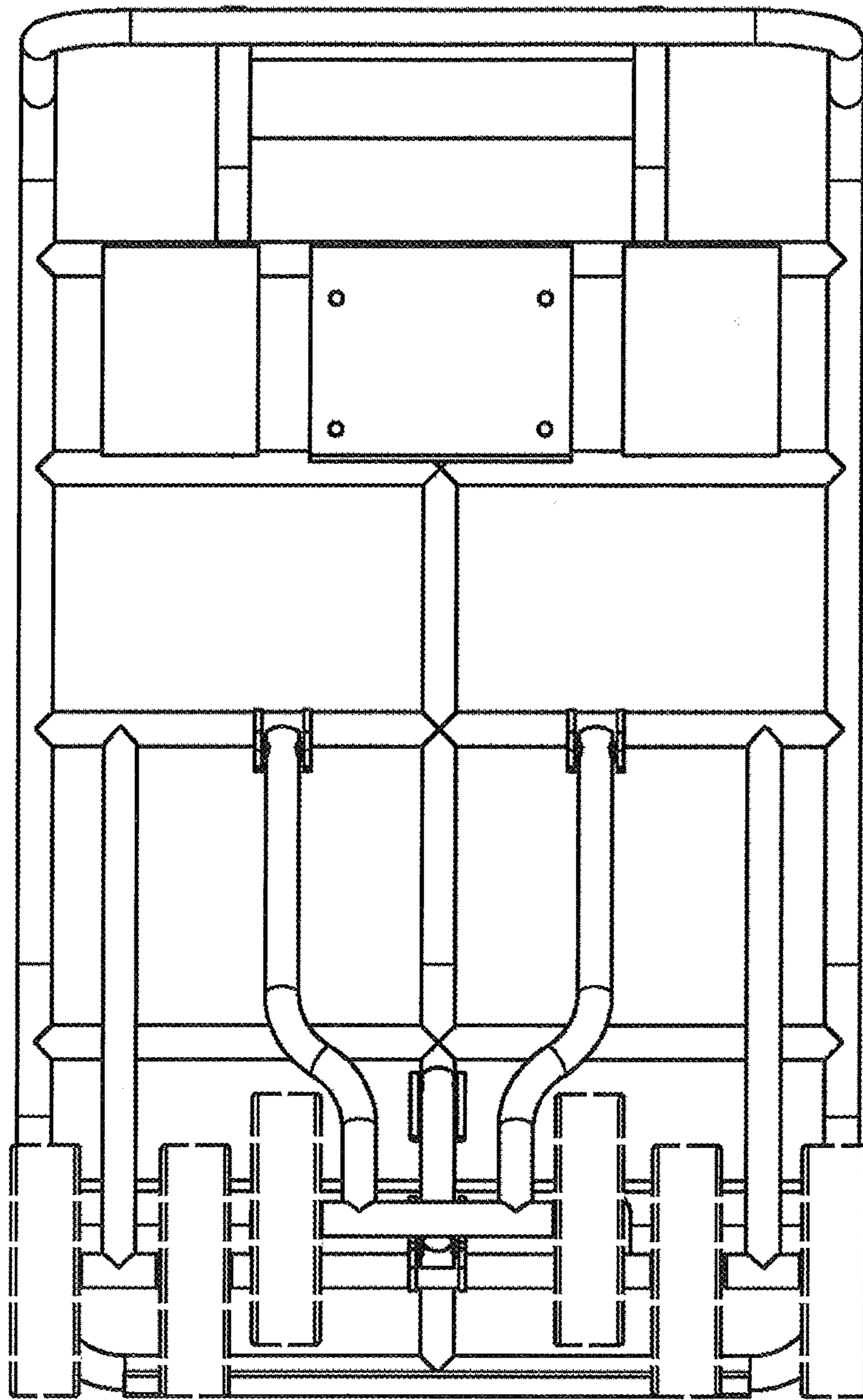


Fig. 5

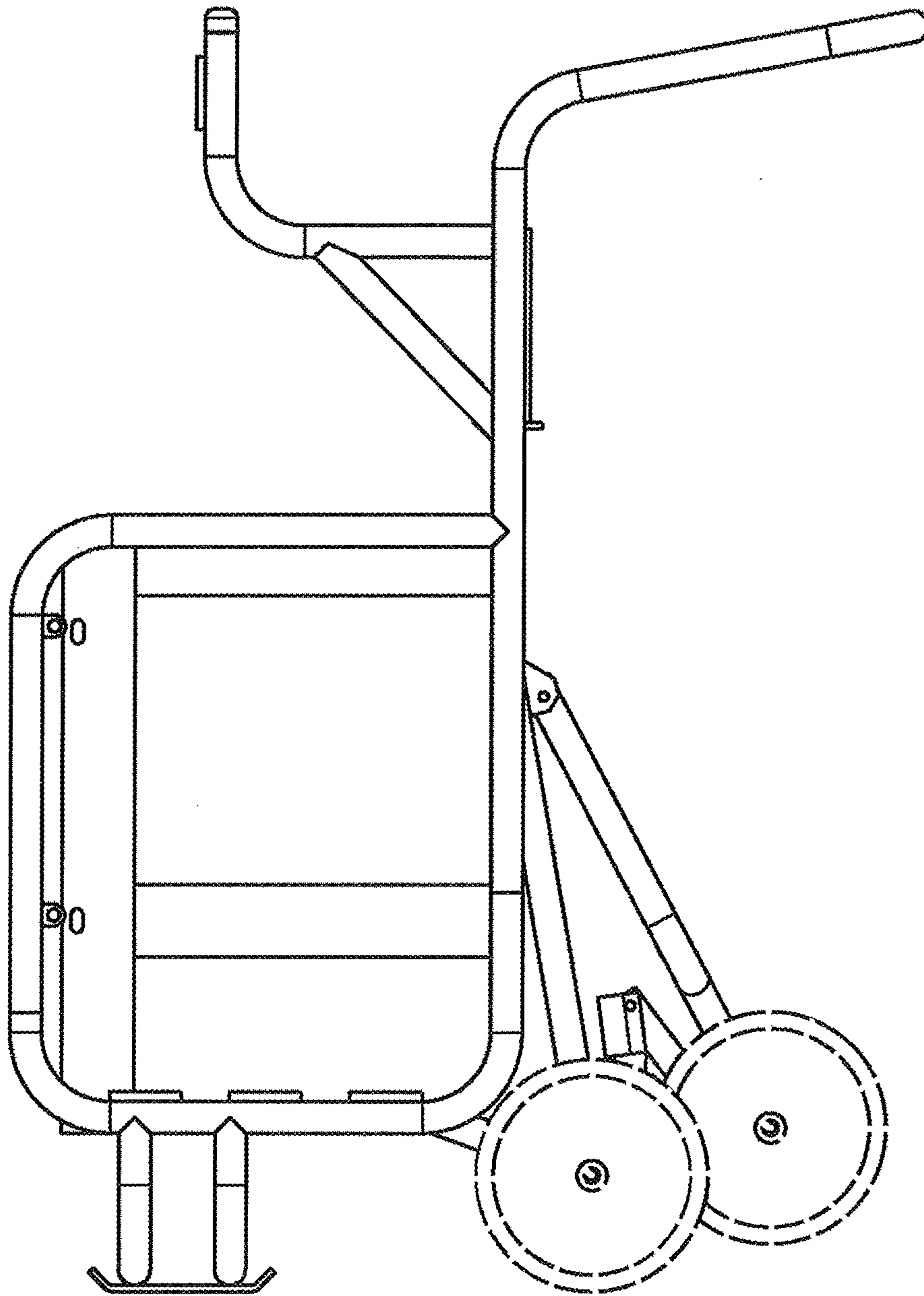


Fig. 6

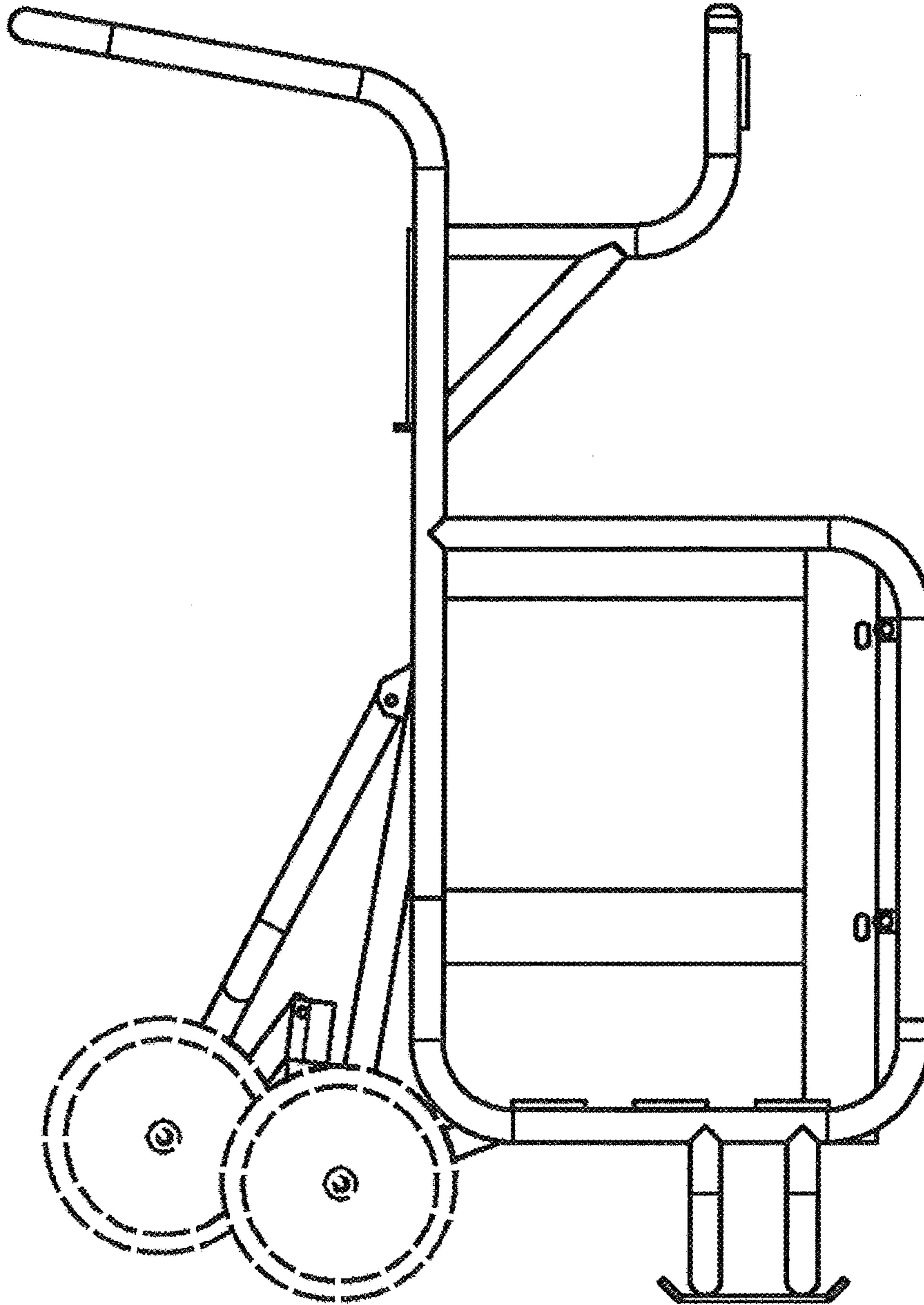


Fig. 7

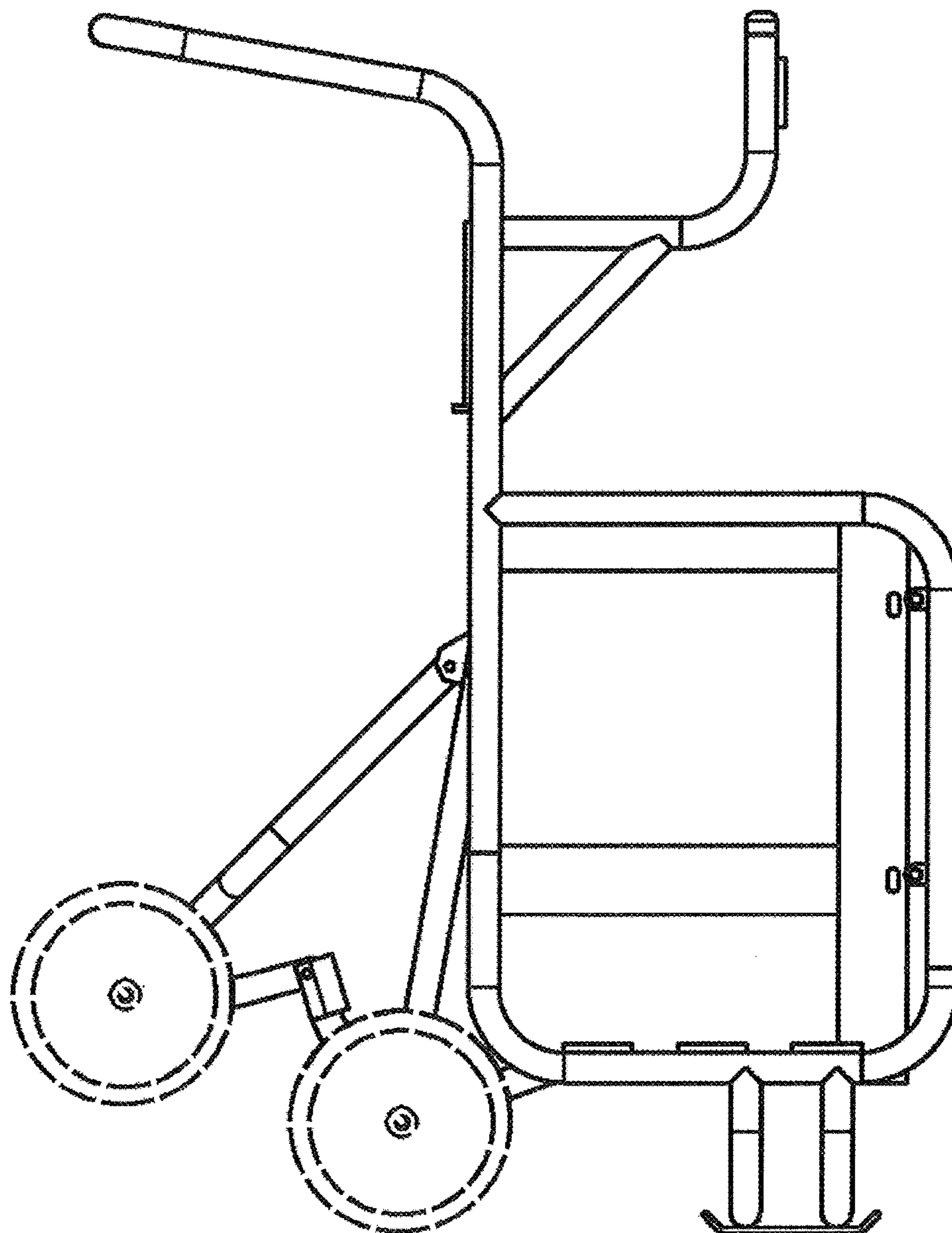


Fig. 8

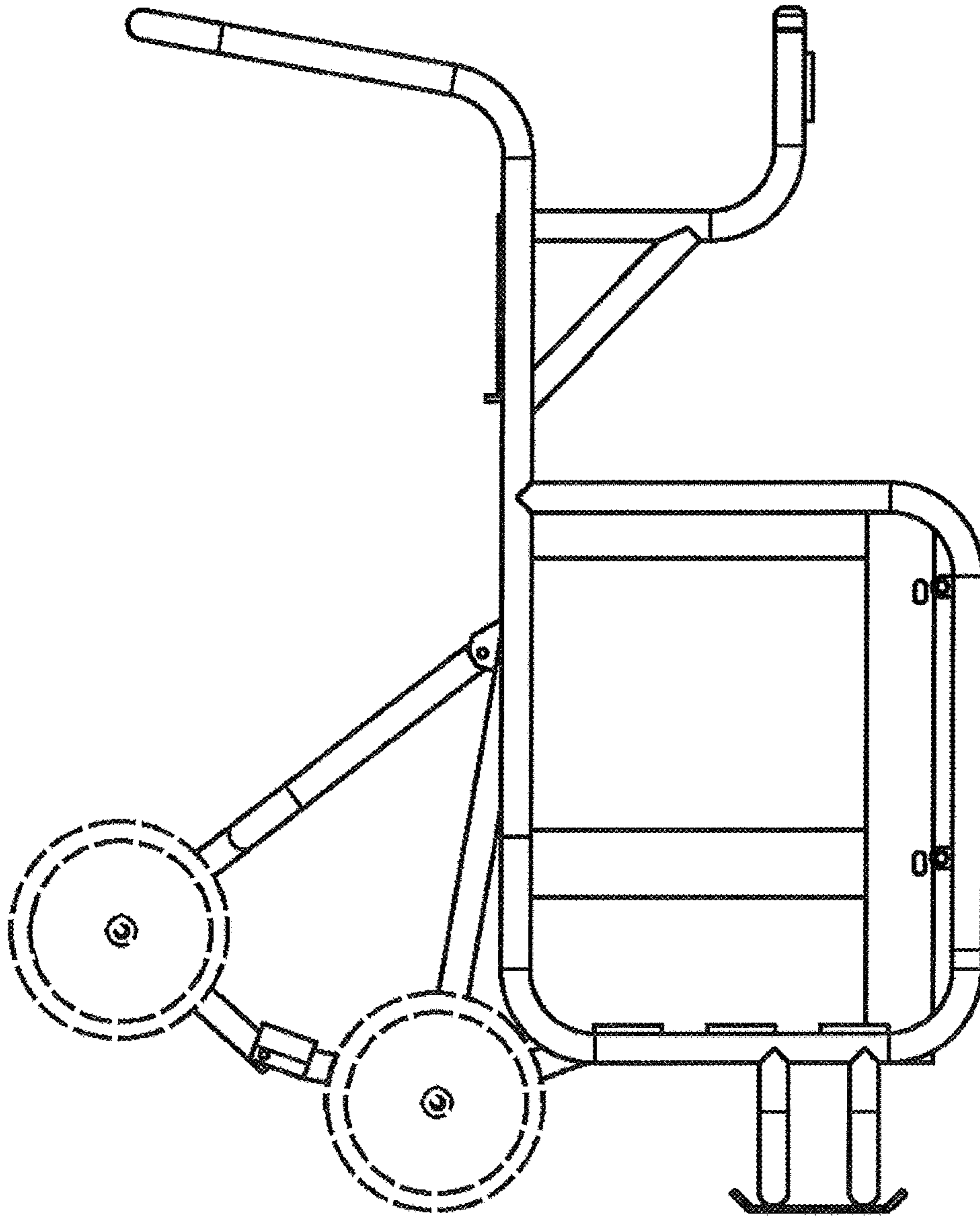


Fig. 9