



US00D814132S

(12) **United States Design Patent**
Felsenthal et al.

(10) **Patent No.:** **US D814,132 S**
(45) **Date of Patent:** **** Mar. 27, 2018**

(54) **OVER THE DOOR IRONING BOARD**

(71) Applicant: **Whitmor, Inc.**, Southaven, MS (US)

(72) Inventors: **Sandy Felsenthal**, Memphis, TN (US);
Steve Westcott, Memphis, TN (US)

(73) Assignee: **Whimor, Inc.**, Southaven, MS (US)

(**) Term: **15 Years**

(21) Appl. No.: **29/603,855**

(22) Filed: **May 12, 2017**

(51) **LOC (11) Cl.** **07-05**

(52) **U.S. Cl.**
USPC **D32/66**

(58) **Field of Classification Search**
USPC D32/66, 35; D21/526; D6/429, 555,
D6/572, 574, 567, 691.4, 691.6
CPC D06F 81/02; D06F 81/06; D06F 81/00
See application file for complete search history.

(56) **References Cited**

U.S. PATENT DOCUMENTS

- 1,868,185 A * 7/1932 Burke D06F 81/06
108/134
- 2,386,139 A * 10/1945 Rasmussen D06F 81/06
108/135
- 2,567,613 A * 9/1951 McNulty D06F 81/06
108/135
- 4,862,611 A * 9/1989 Wright D06F 81/06
108/38
- 5,329,860 A * 7/1994 Mattesky A47B 96/16
108/42
- 5,483,761 A * 1/1996 Simpson D06F 81/06
108/48
- 5,570,642 A * 11/1996 Lehrman D06F 81/06
108/134
- 5,810,304 A * 9/1998 Lehrman D06F 81/00
248/215
- D459,044 S * 6/2002 Felsenthal D32/66
- D543,672 S * 5/2007 Chu D32/66

(Continued)

Primary Examiner — Michelle E Wilson

(74) *Attorney, Agent, or Firm* — Stites & Harbison
PLLC; Richard S. Myers, Jr.

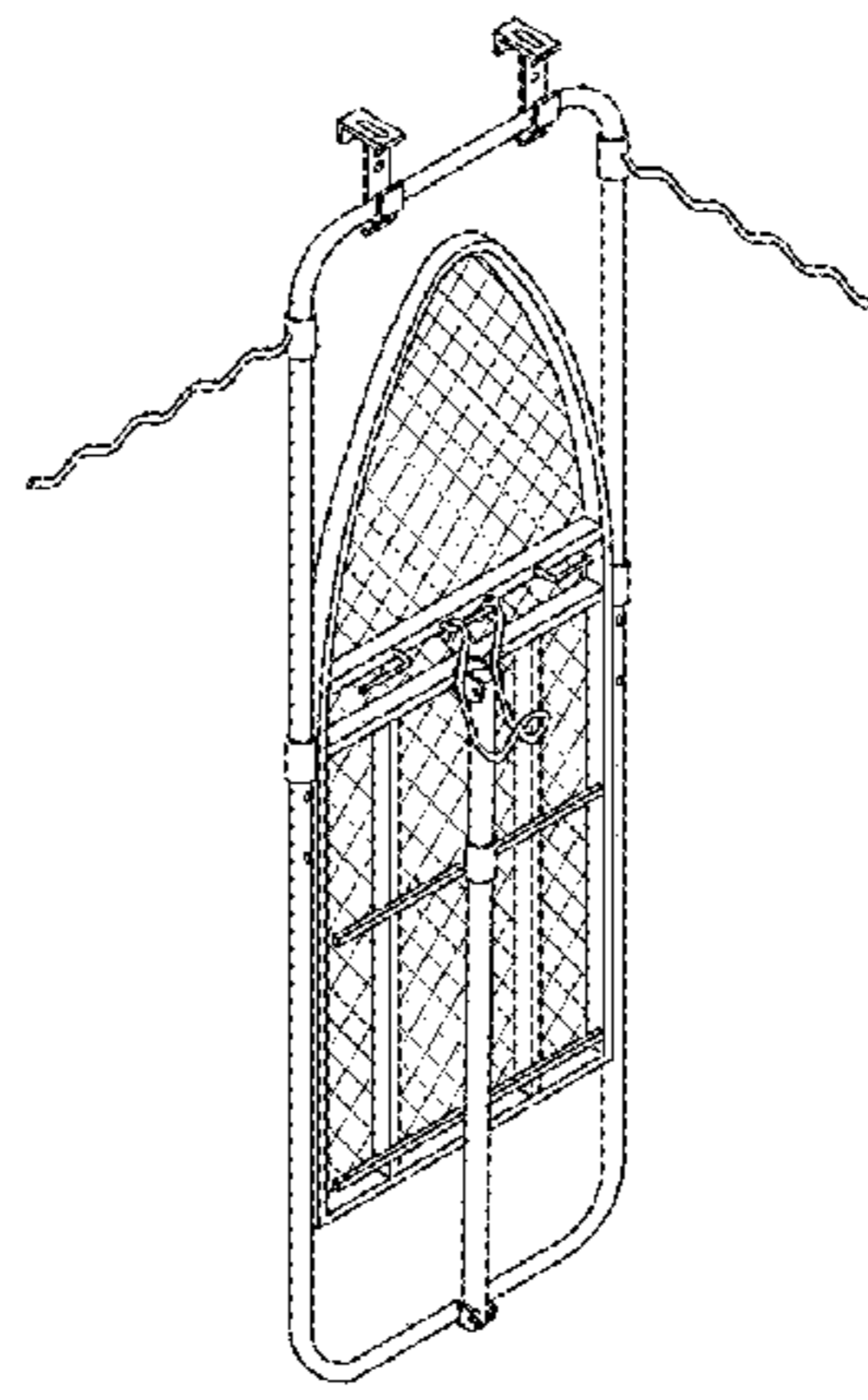
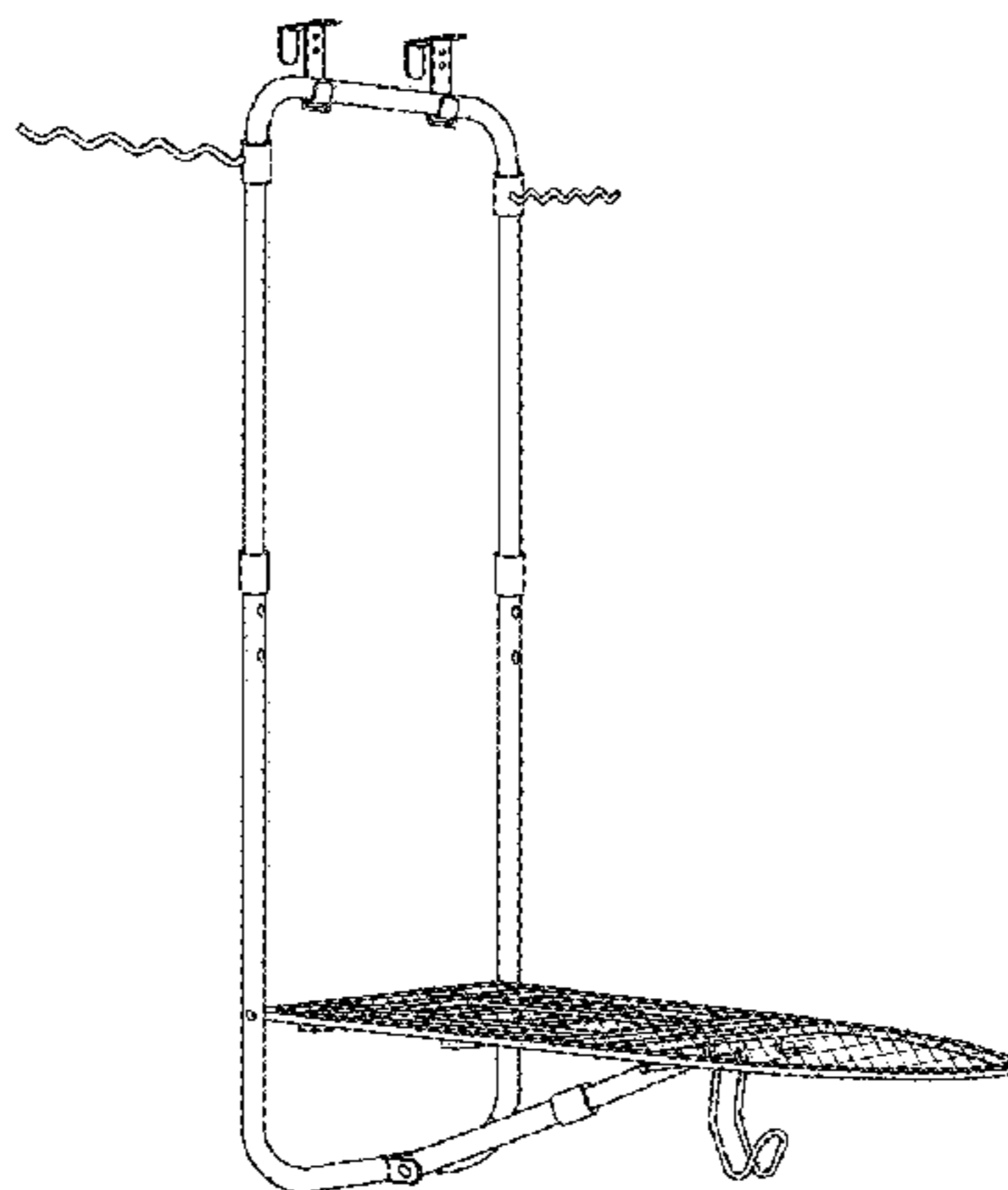
(57) **CLAIM**

We claim the ornamental design for an over the door ironing board, as shown and described.

DESCRIPTION

FIG. 1 is a perspective view showing the new design of an over the door ironing board in its open position; FIG. 2 is front elevation view of the ironing board of FIG. 1 in its open position; FIG. 3 is a rear elevation view of the ironing board of FIGS. 1 and 2 in its open position; FIG. 4 is a left side elevation view of the ironing board of FIGS. 1-3 in its open position; FIG. 5 is a right side elevation view of the ironing board of FIGS. 1-4 in its open position; FIG. 6 is a top plan view of the ironing board of FIGS. 1-5 in its open position; FIG. 7 is a bottom plan view of the ironing board of FIGS. 1-6 in its open position; FIG. 8 is a perspective view of the over the door ironing board of FIGS. 1-7 in its closed position; FIG. 9 is a front elevation view of the ironing board of FIG. 8 in its closed position; FIG. 10 is a rear elevation view of the ironing board of FIGS. 8 and 9 in its closed position; FIG. 11 is a left side elevation view of the ironing board of FIGS. 8-10 in its closed position; FIG. 12 is a right side elevation view of the ironing board of FIGS. 8-11 in its closed position; FIG. 13 is a bottom plan view of the ironing board of FIGS. 8-12 in its closed position; and, FIG. 14 is a top plan view of the ironing board of FIGS. 8-13 in its closed position.

1 Claim, 7 Drawing Sheets



(56)

References Cited

U.S. PATENT DOCUMENTS

D546,516 S *	7/2007	Henderson	D32/66
D547,098 S *	7/2007	Goodman	D6/514
D564,167 S *	3/2008	Rosen	D32/73
D565,882 S *	4/2008	Goodman	D6/514
D570,633 S *	6/2008	Goodman	D6/566
D608,515 S *	1/2010	Park	D32/66
D674,160 S *	1/2013	Cocksedge	D32/66
D686,384 S *	7/2013	Fosburgh	D32/66
D702,410 S *	4/2014	Murphy	D32/66
D704,912 S *	5/2014	Gameiro	D32/66

* cited by examiner

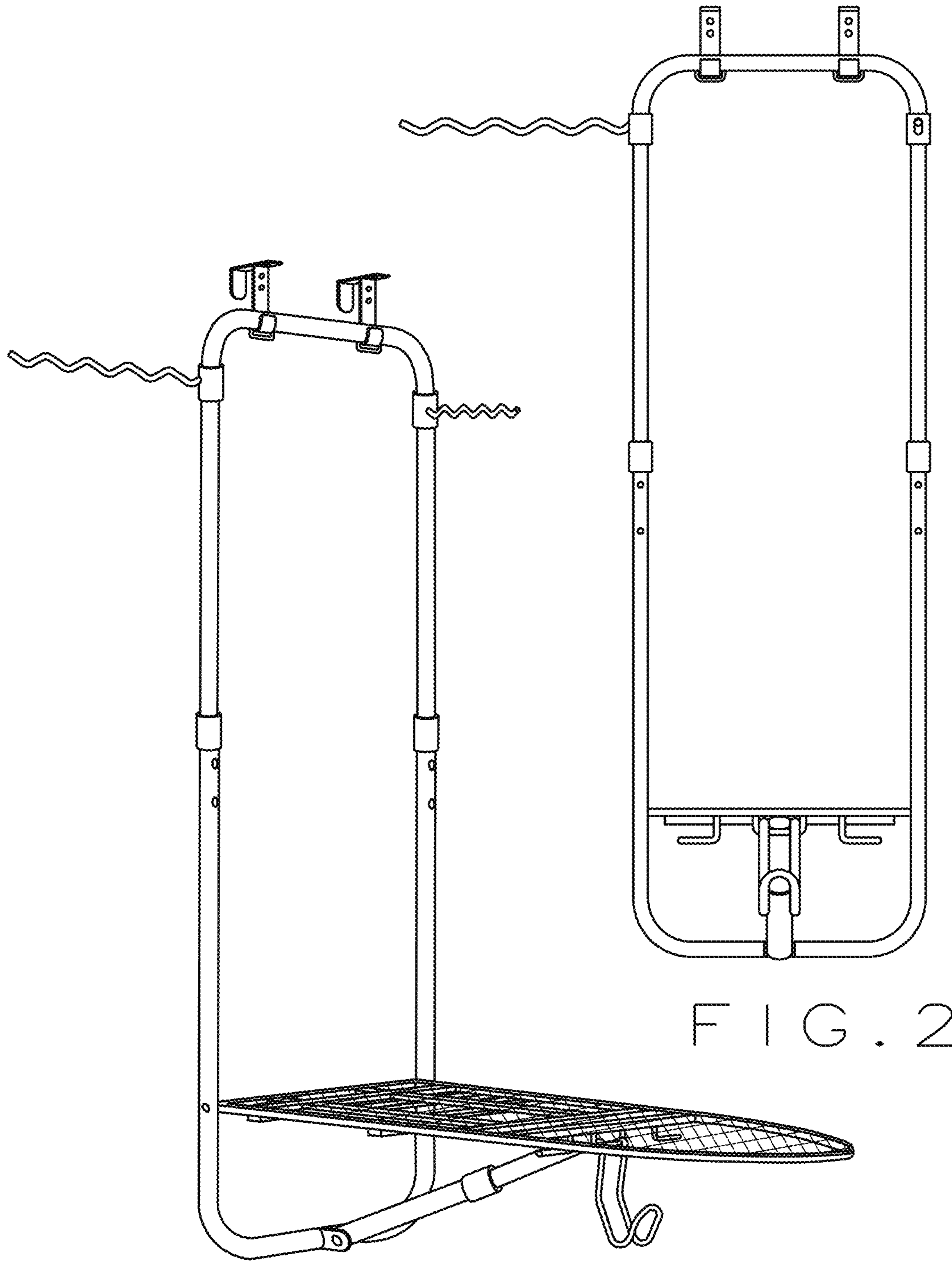


FIG. 2

FIG. 1

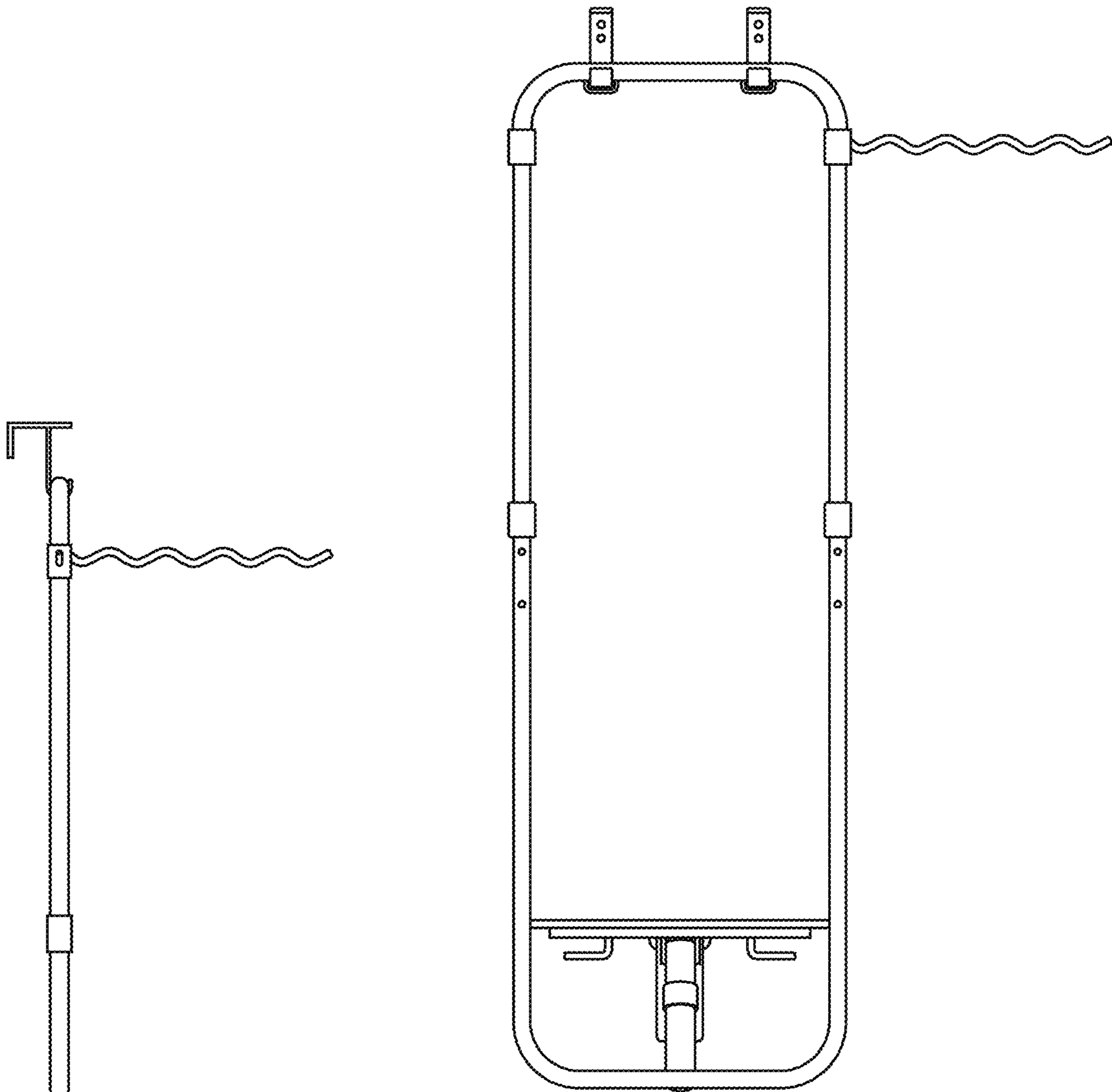


FIG. 3

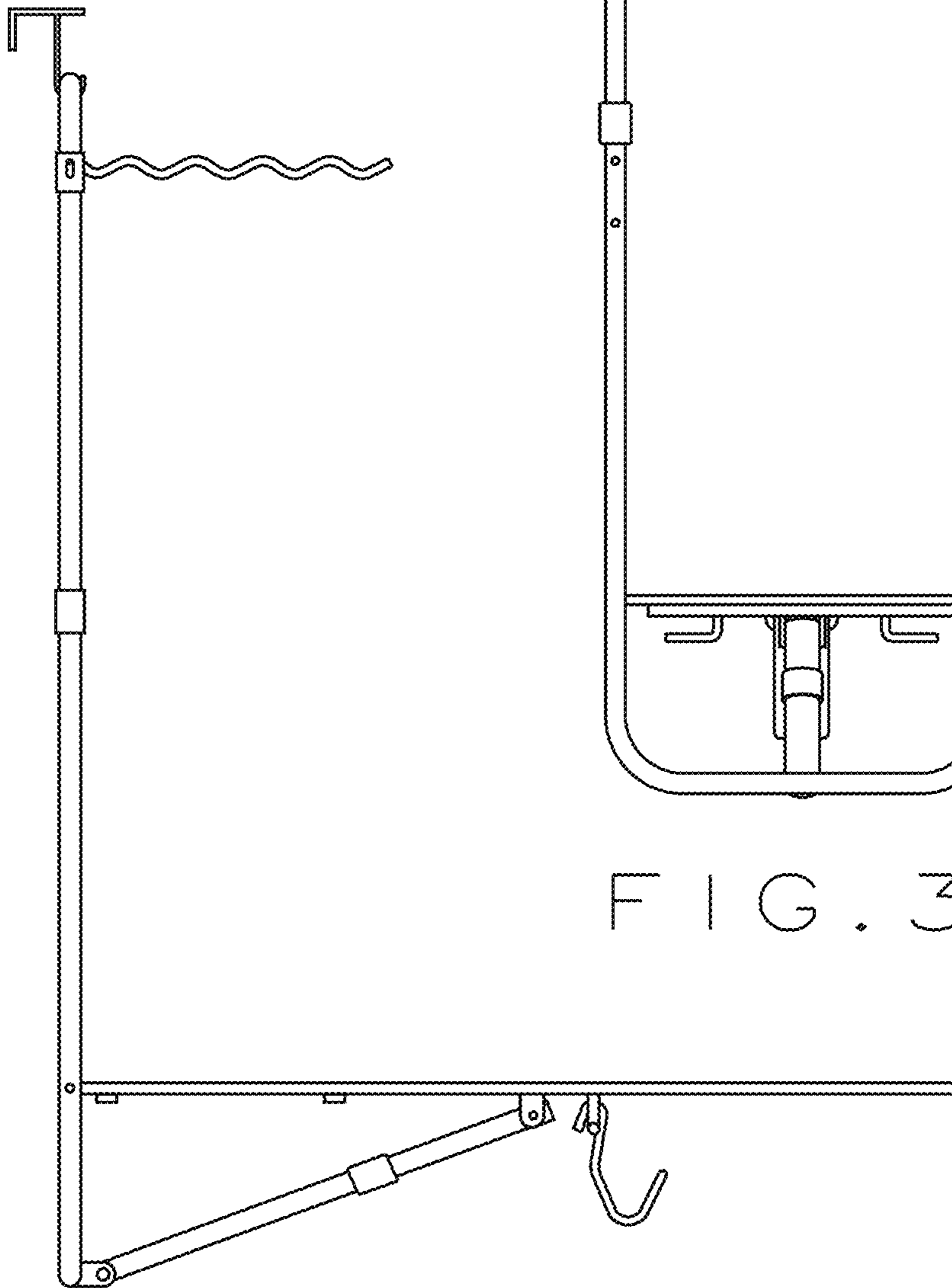


FIG. 4

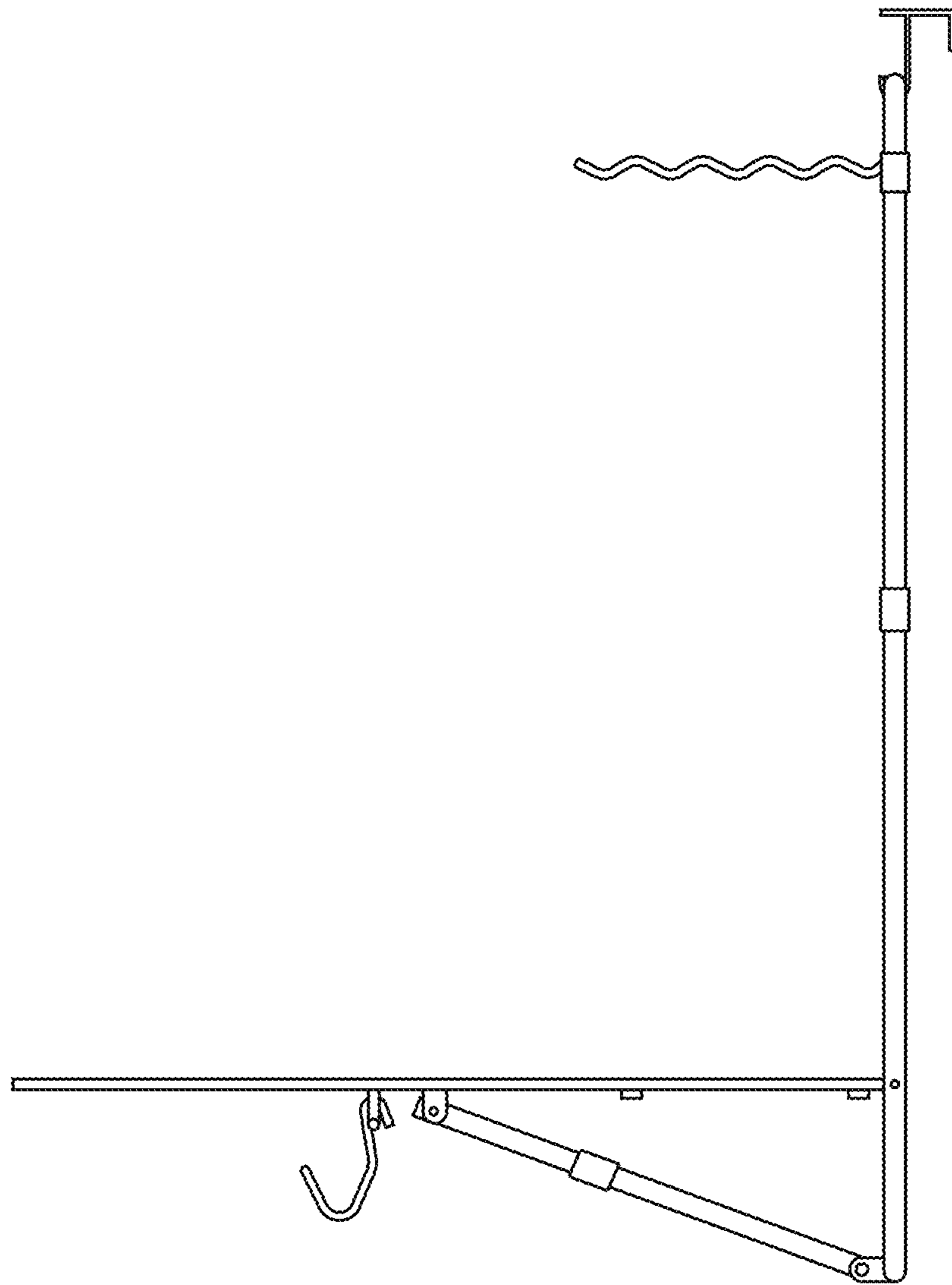


FIG. 5

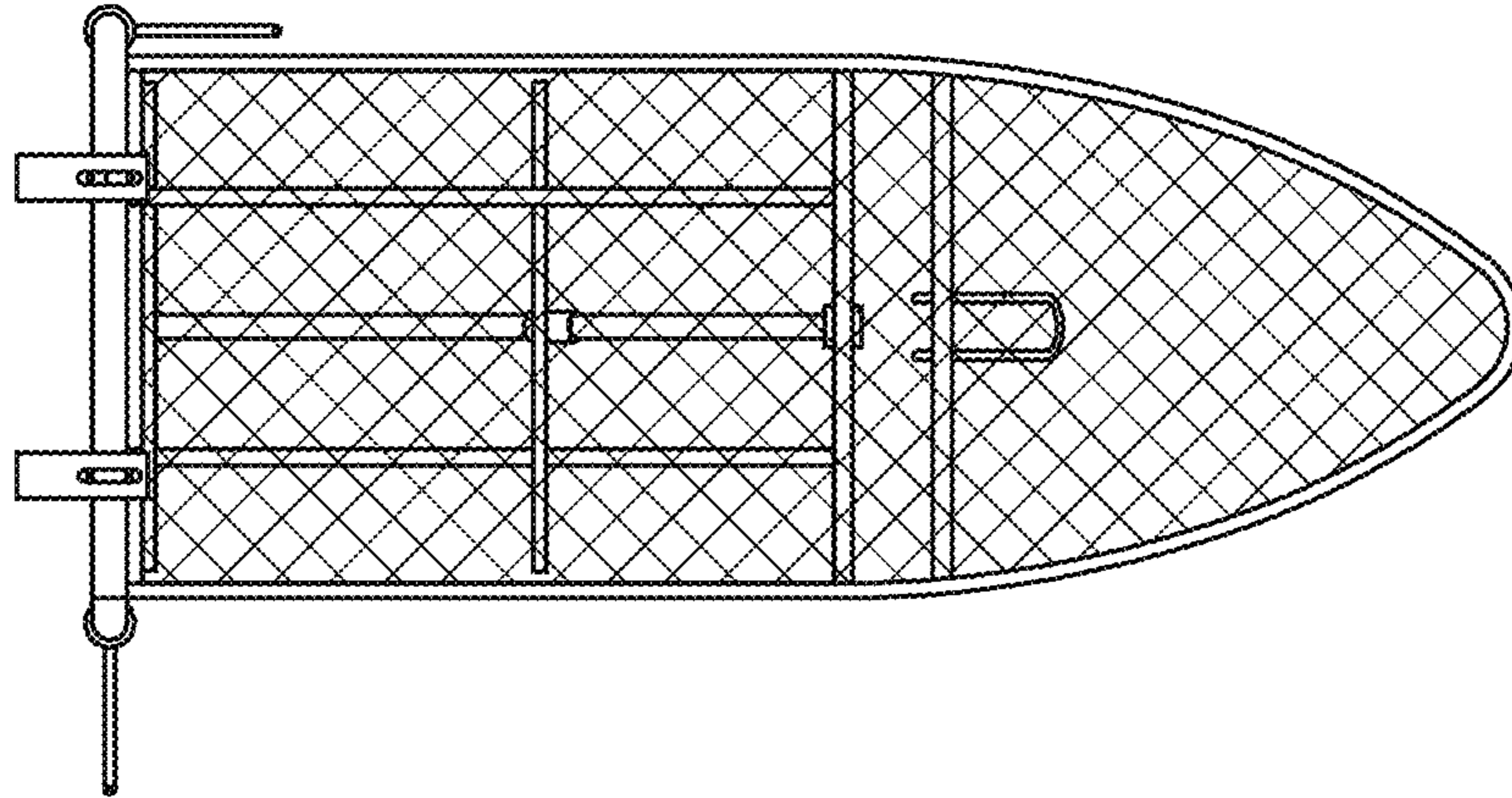


FIG. 6

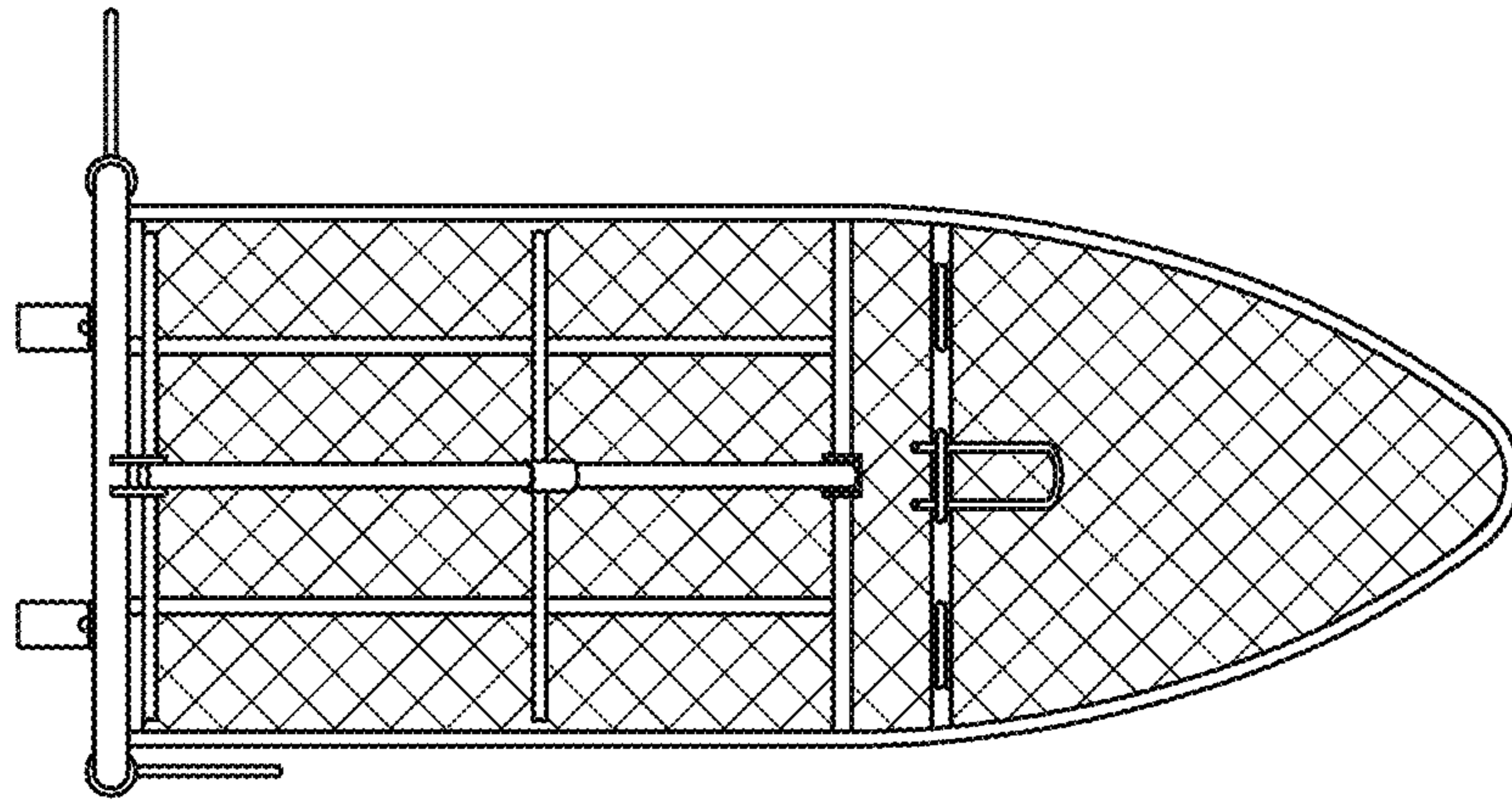


FIG. 7

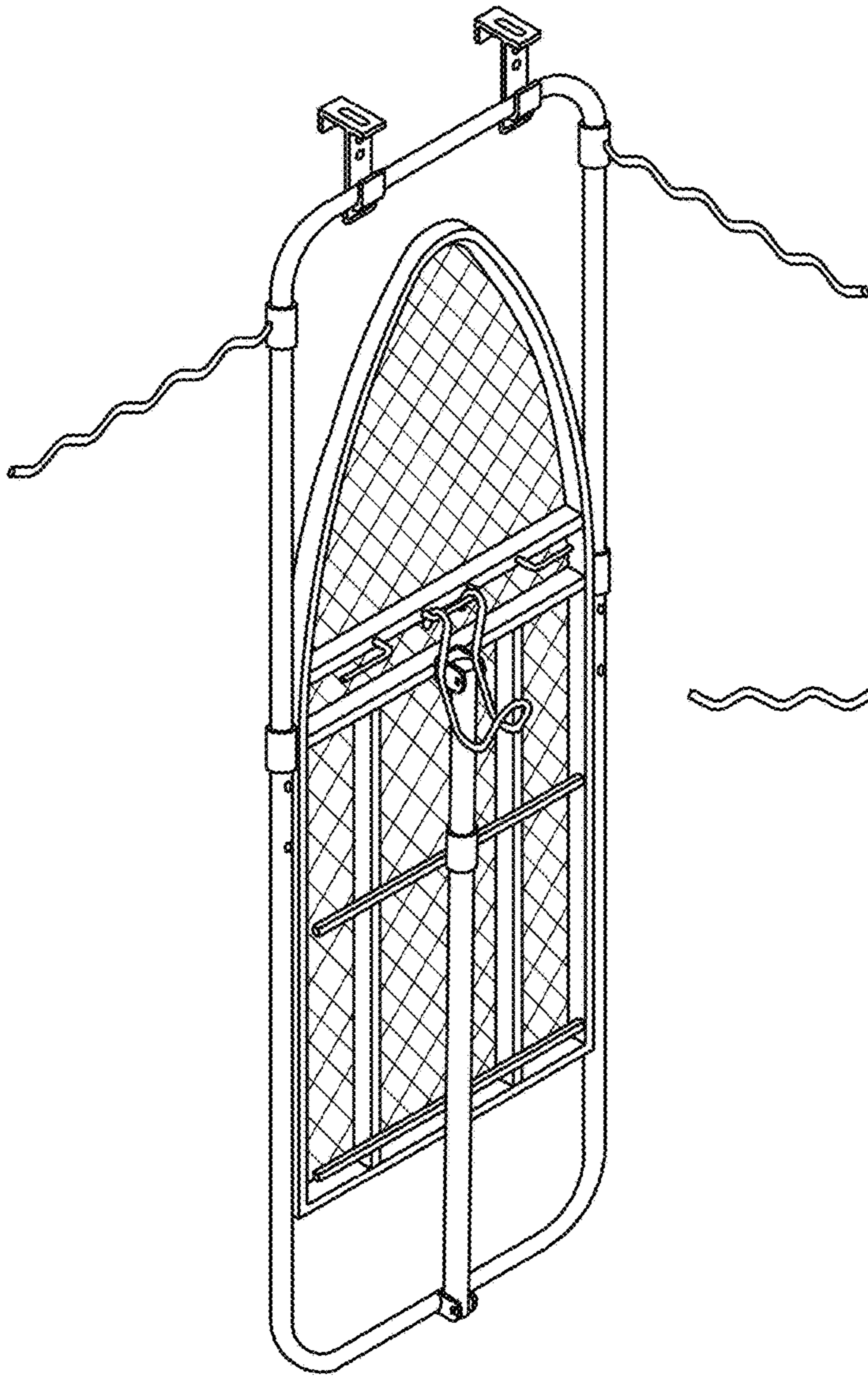


FIG. 8

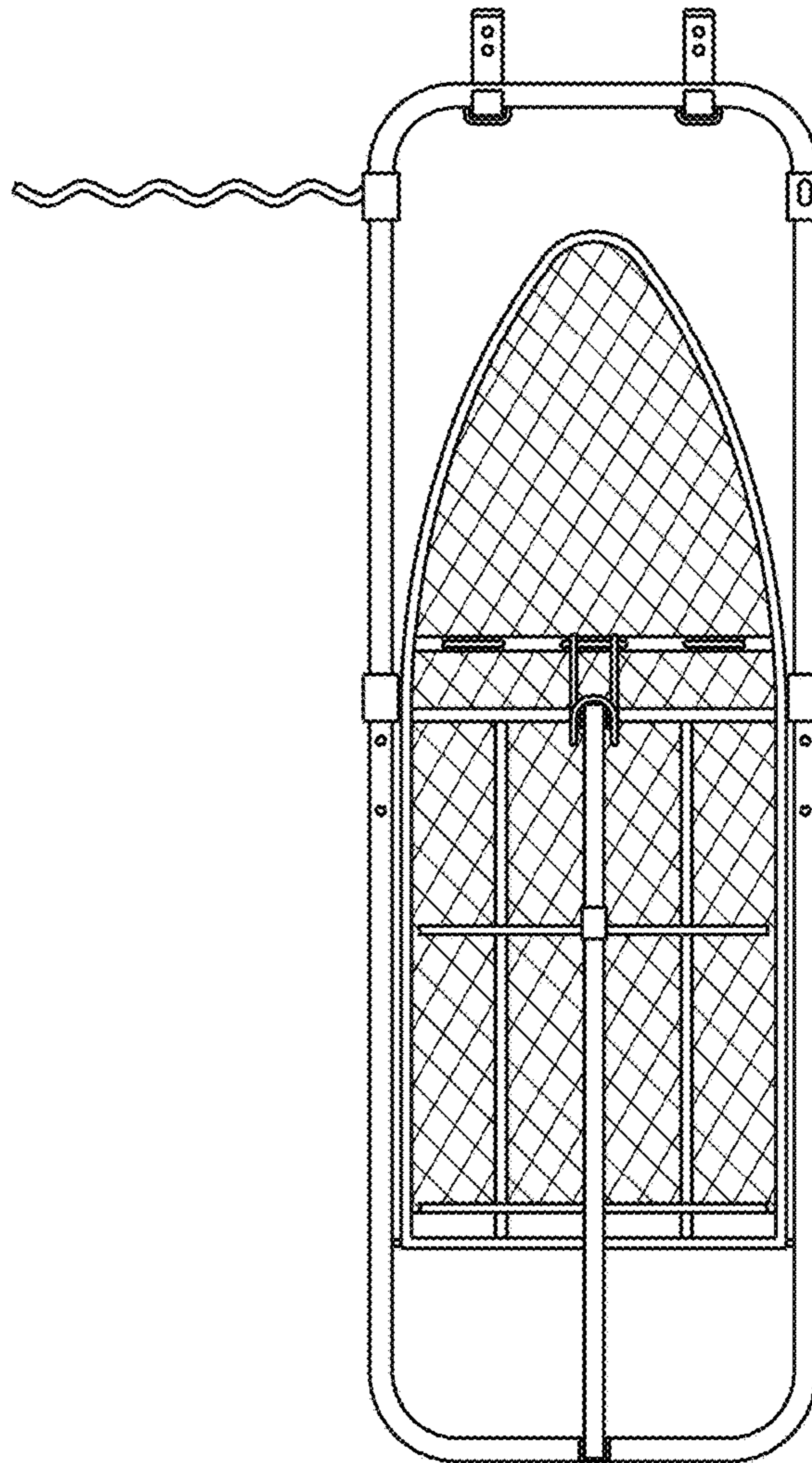


FIG. 9

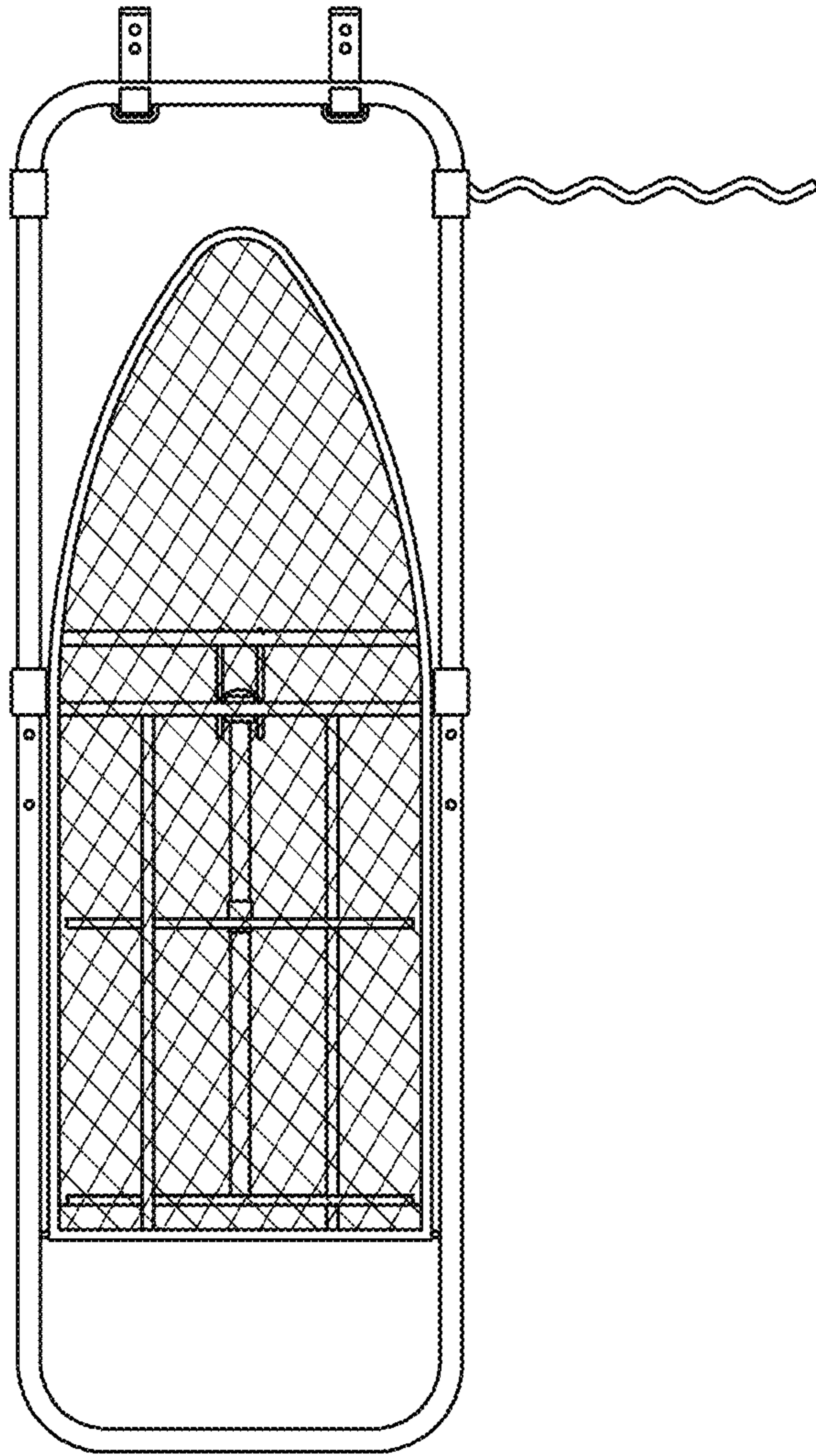


FIG. 10

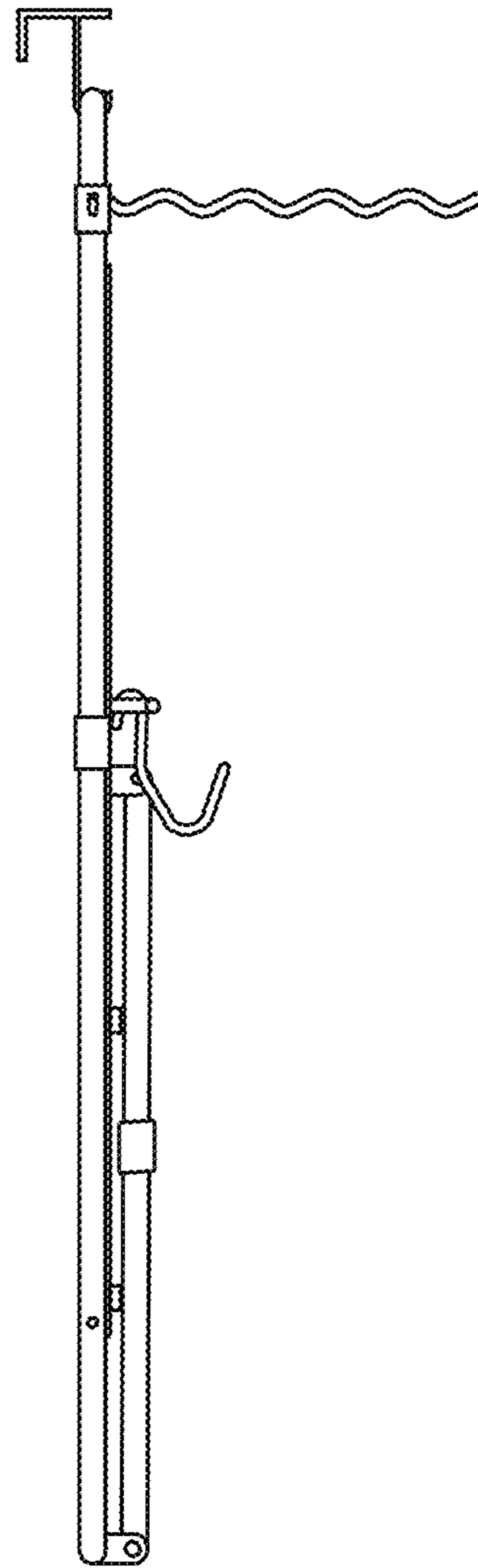


FIG. 11

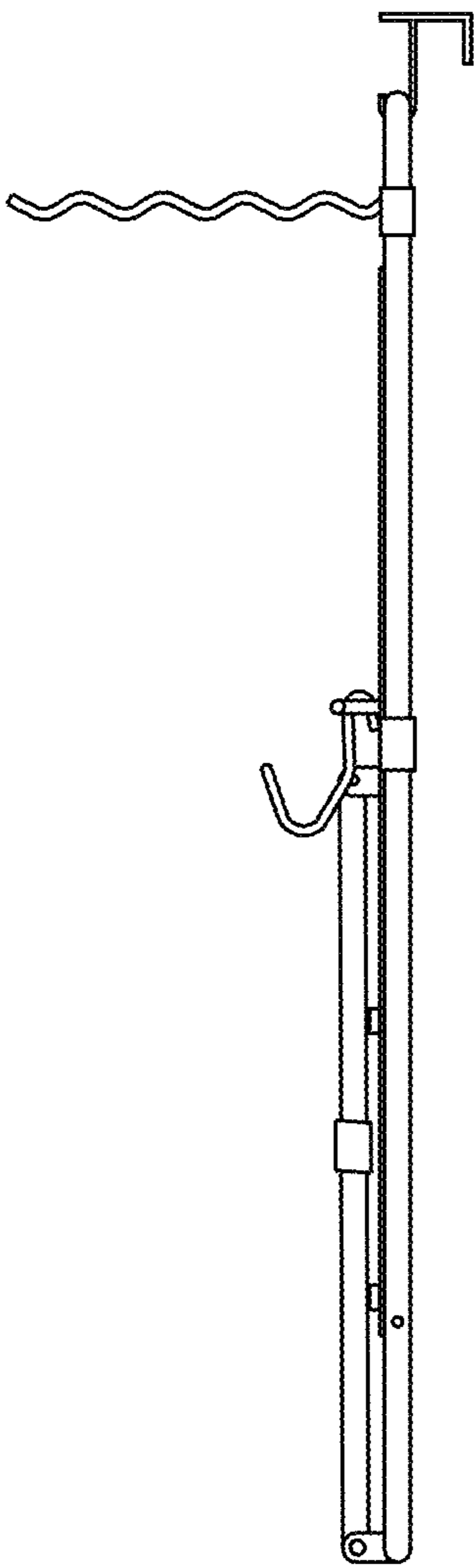


FIG. 12

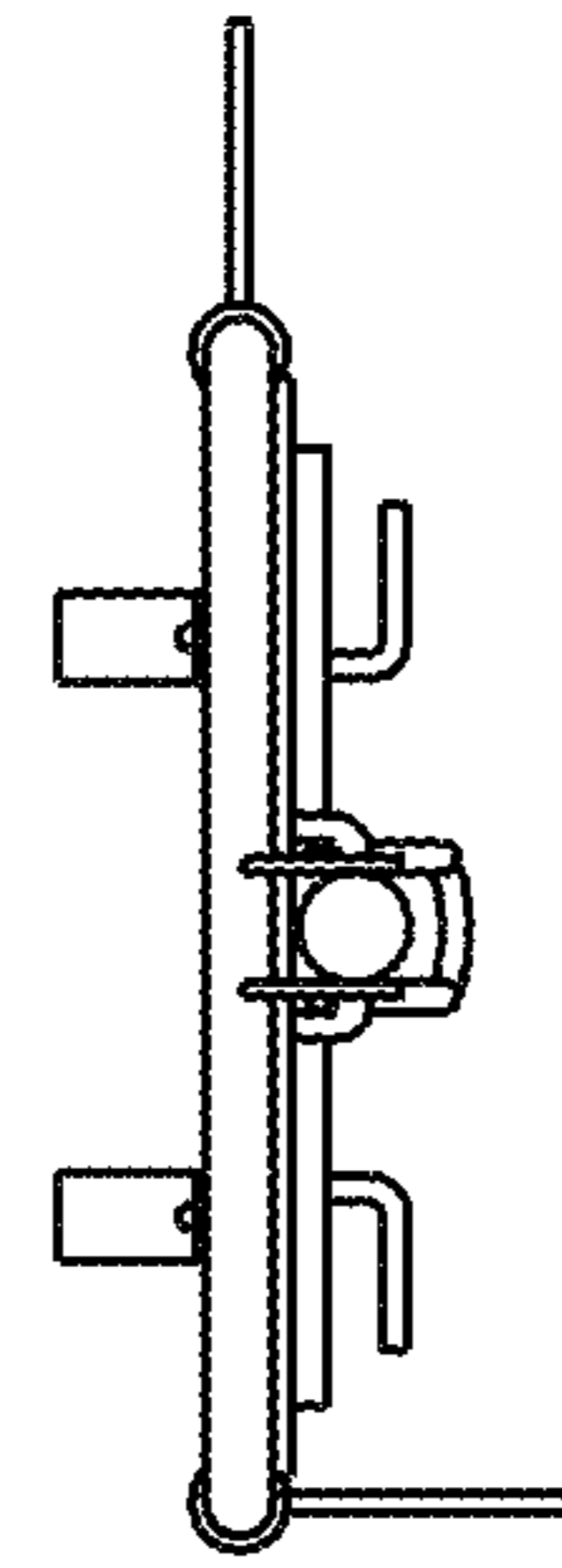


FIG. 13

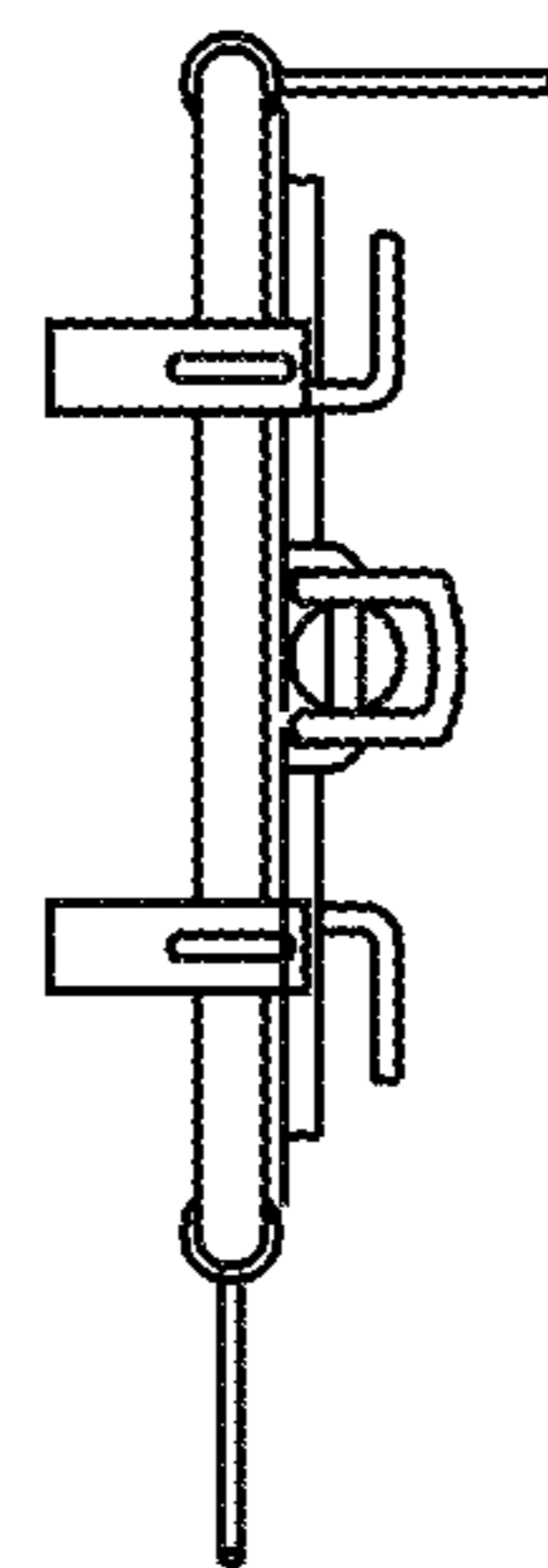


FIG. 14