



US00D814131S

(12) **United States Design Patent** (10) **Patent No.:** **US D814,131 S**  
**Metzel** (45) **Date of Patent:** **\*\* Mar. 27, 2018**

- (54) **BROOM BLOCK**
- (71) Applicant: **Freudenberg Household Products LP**,  
Aurora, IL (US)
- (72) Inventor: **Doug Metzel**, Berwyn, IL (US)
- (73) Assignee: **Freudenberg Household Products LP**,  
Aurora, IL (US)
- (\*\*) Term: **15 Years**
- (21) Appl. No.: **29/543,359**
- (22) Filed: **Oct. 23, 2015**
- (51) **LOC (11) Cl.** ..... **04-01**
- (52) **U.S. Cl.**  
USPC ..... **D32/50**
- (58) **Field of Classification Search**  
USPC ..... D32/40-45, 50-52; D4/130, 131, 135  
CPC . A46B 5/00; A47L 13/16; A47L 13/12; A47L  
13/22; B05B 15/06  
See application file for complete search history.

(56) **References Cited**

U.S. PATENT DOCUMENTS

D472,716 S *	4/2003	Hay	.....	D32/50
D497,723 S *	11/2004	Sickler	.....	D4/121
D499,555 S *	12/2004	Molek	.....	D4/199
6,877,181 B2 *	4/2005	Laux	.....	A46B 15/00 15/114
D511,411 S *	11/2005	Weaver	.....	D4/132
D537,255 S *	2/2007	Berti	.....	D32/50
D572,013 S *	7/2008	Weis	.....	D4/199
D572,014 S *	7/2008	Weis	.....	D4/199
D587,417 S *	2/2009	Sartori	.....	D4/135
8,161,592 B2 *	4/2012	Weis	.....	A46B 5/0095 15/159.1

D764,131 S *	8/2016	Seifts	.....	D32/50
D764,733 S *	8/2016	Kandasamy	.....	D32/50
D798,519 S *	9/2017	Libman	.....	D32/50
2005/0015905 A1 *	1/2005	Boyer	.....	A46B 3/06 15/159.1
2006/0117511 A1 *	6/2006	Weaver	.....	A46B 7/04 15/175

\* cited by examiner

*Primary Examiner* — John Windmuller

(74) *Attorney, Agent, or Firm* — Leydig, Voit & Mayer, Ltd.

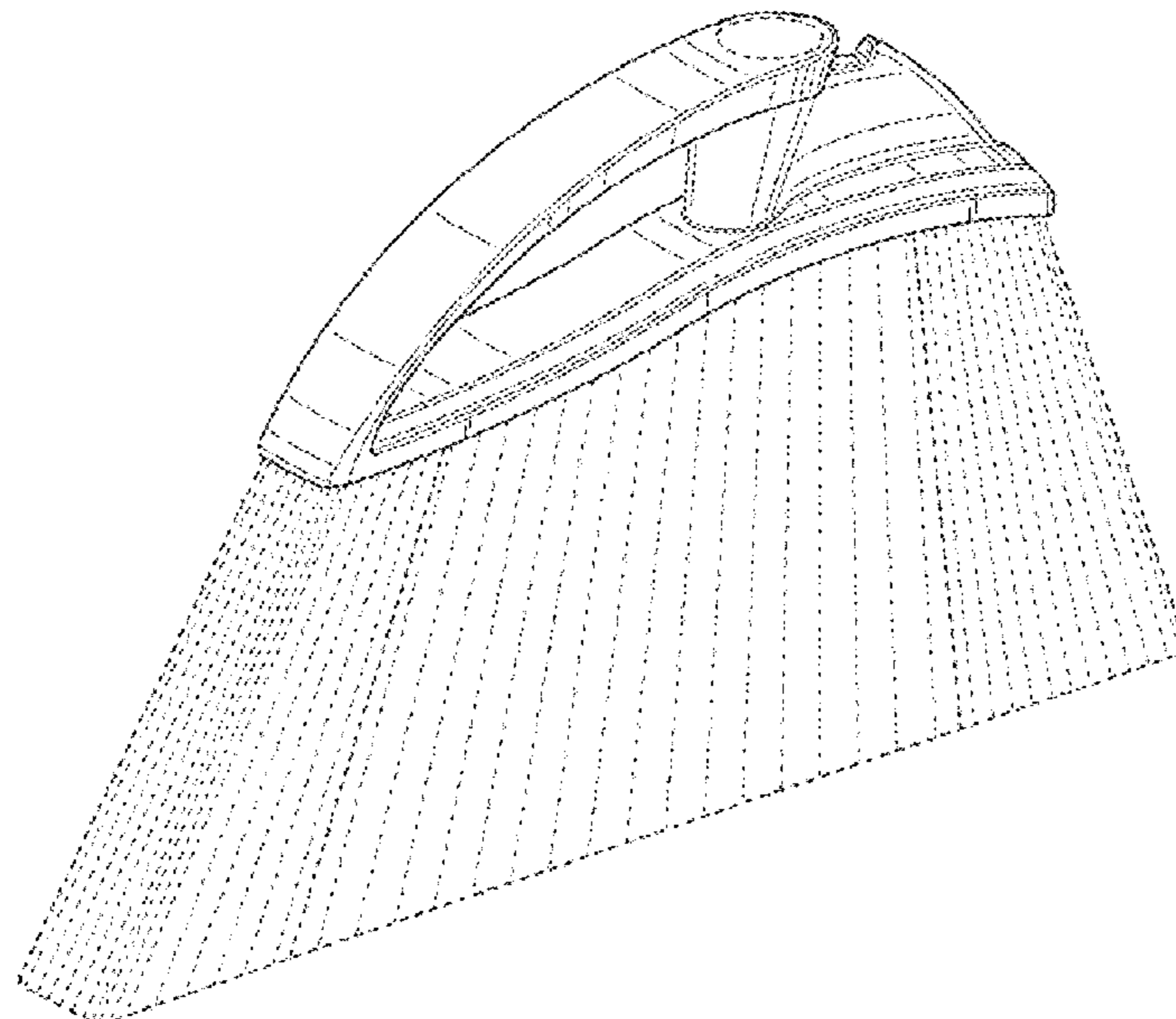
(57) **CLAIM**

The ornamental design for a broom block, as shown and described.

**DESCRIPTION**

FIG. 1 is a perspective view taken from the top, front, and left side of a broom showing the new design;  
 FIG. 2 is a perspective view taken from the top, front, and left side of a broom block showing the new design;  
 FIG. 3 is a top plan view of the broom block shown in FIG. 2;  
 FIG. 4 is a bottom view of the broom block shown in FIG. 2;  
 FIG. 5 is a front elevational view of the broom block shown in FIG. 2;  
 FIG. 6 is a rear elevational view of the broom block shown in FIG. 2;  
 FIG. 7 is a left elevational side view of the broom block shown in FIG. 2; and,  
 FIG. 8 is a right elevational side view of the broom block shown in FIG. 2.  
 The broken lines in the figures depict environment that forms no part of the claimed design.

**1 Claim, 7 Drawing Sheets**



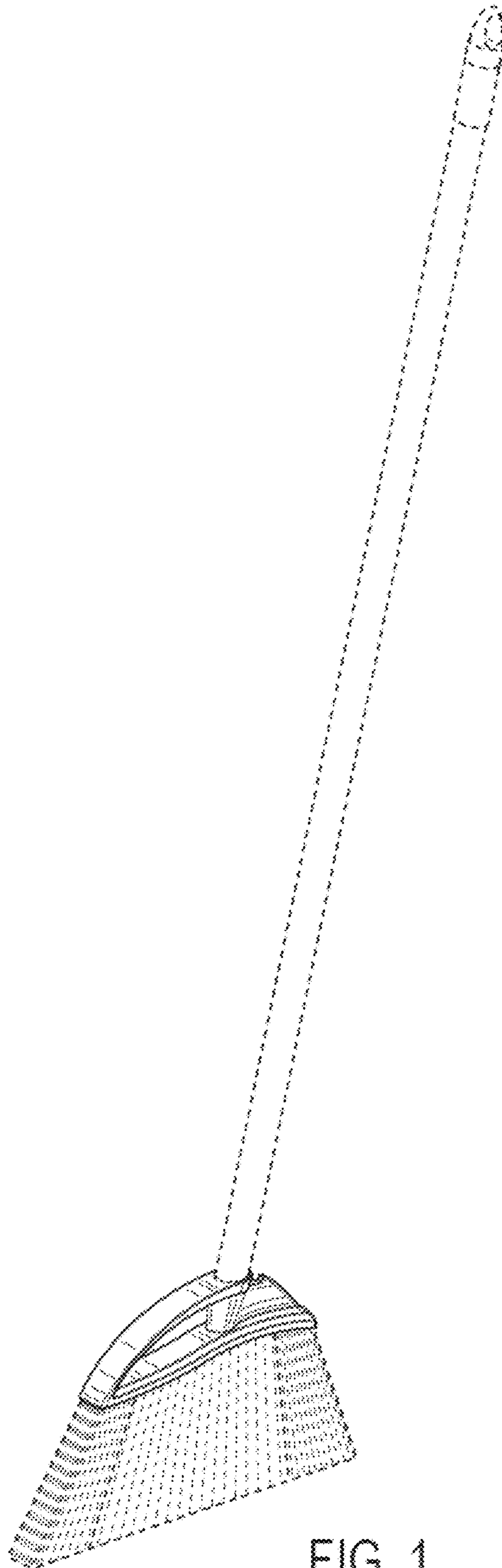


FIG. 1

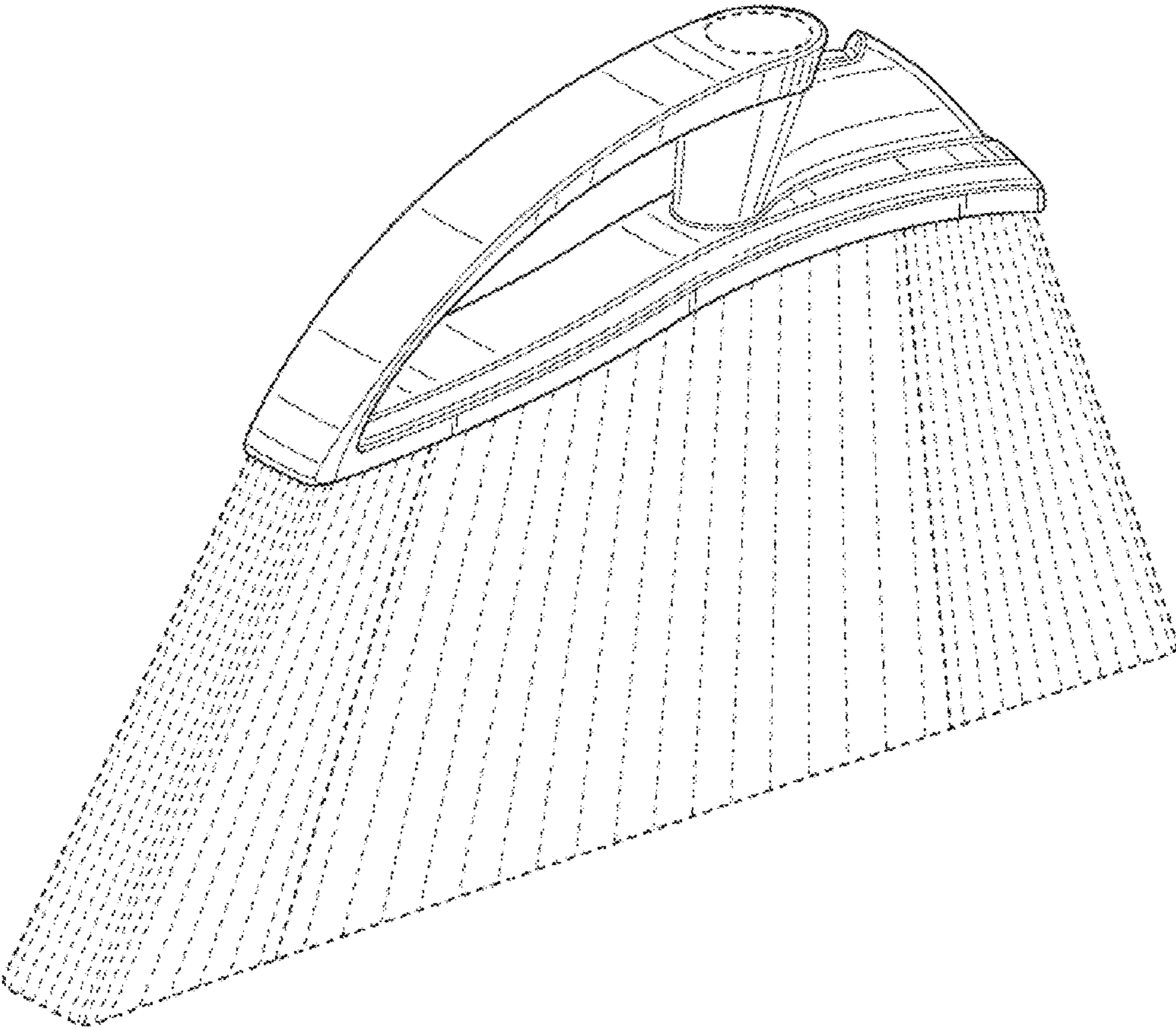


FIG. 2

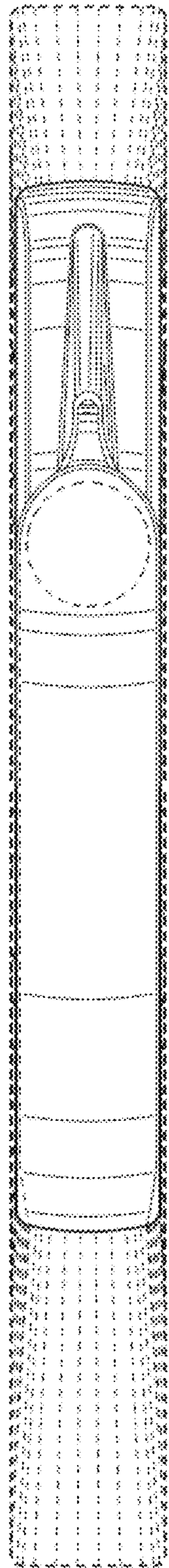


FIG. 3

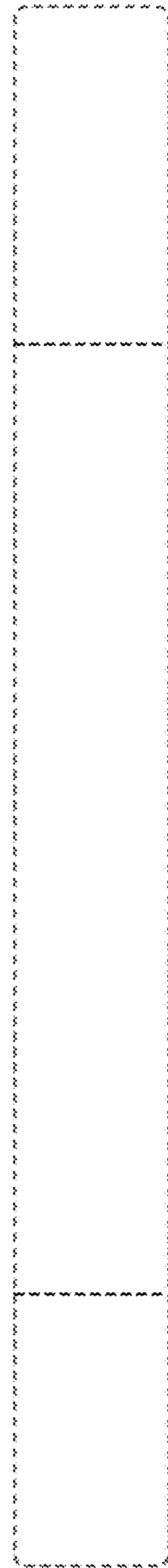


FIG. 4

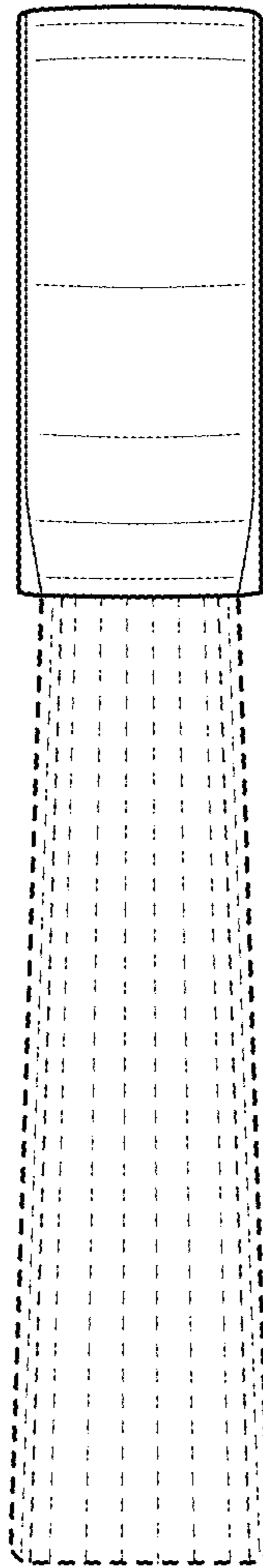


FIG. 5

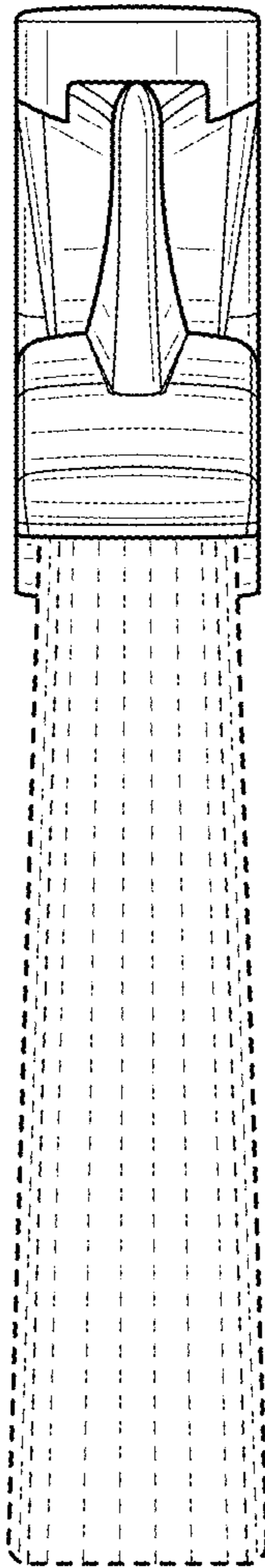


FIG. 6

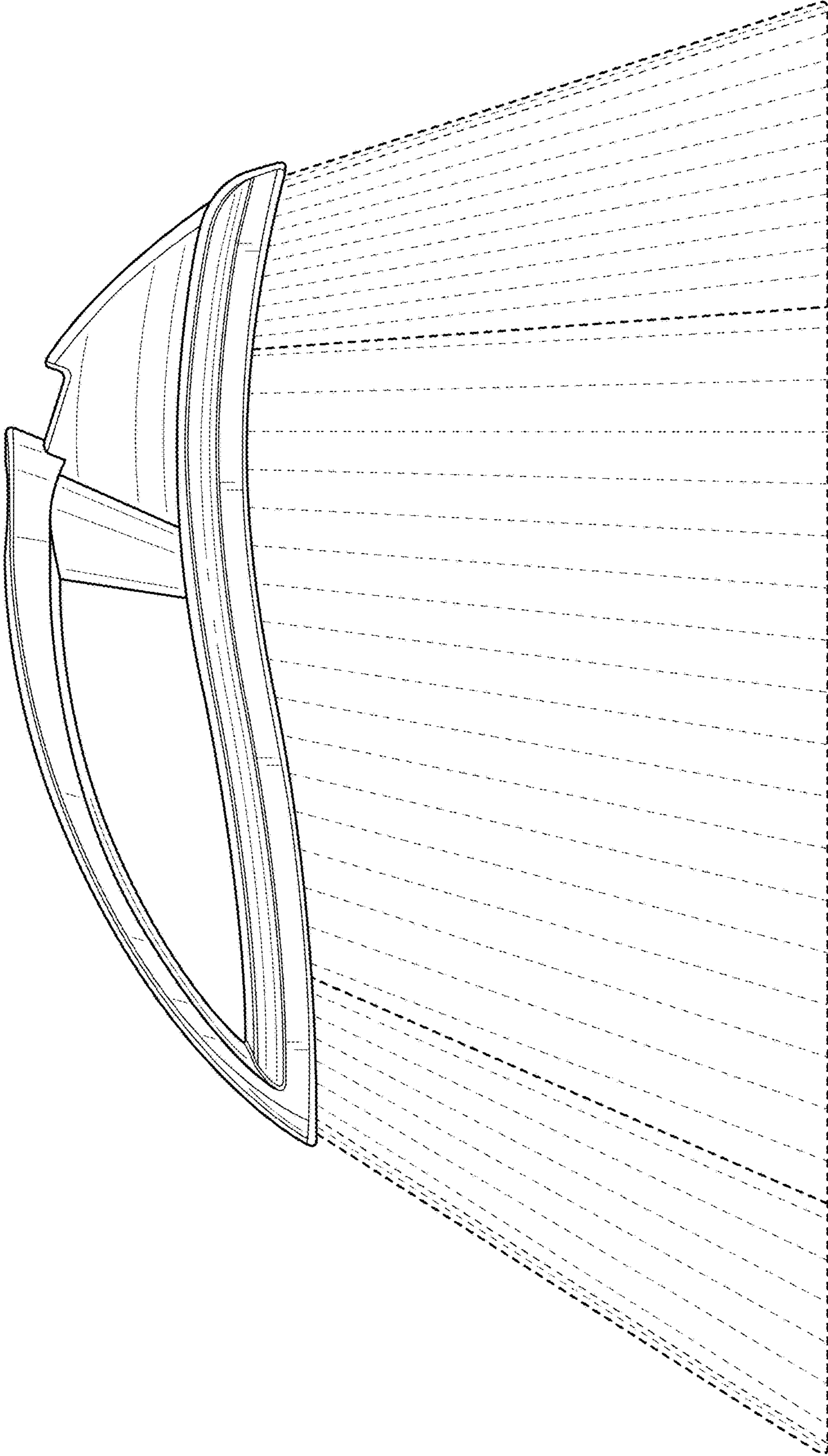


FIG. 7

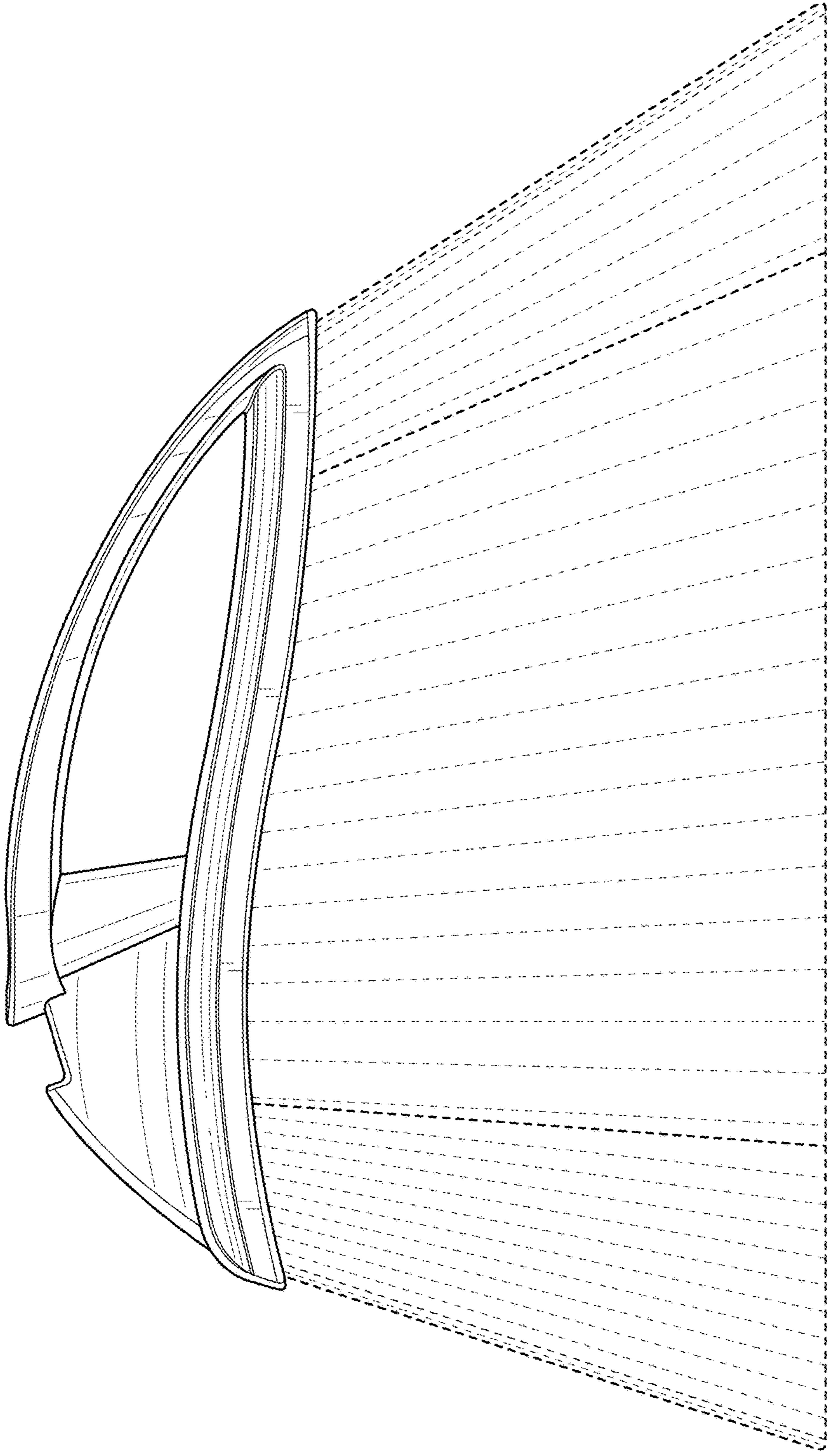


FIG. 8