



US00D814130S

(12) **United States Design Patent**
Taub

(10) **Patent No.:** **US D814,130 S**
(45) **Date of Patent:** **** Mar. 27, 2018**

(54) **CLEANING APPARATUS**

(71) Applicant: **SKT Productions, Inc.**, New York, NY (US)

(72) Inventor: **Stanley Taub**, New York, NY (US)

(73) Assignee: **SKT PRODUCTIONS, INC.**, New York, NY (US)

(**) Term: **15 Years**

(21) Appl. No.: **29/566,643**

(22) Filed: **Jun. 1, 2016**

(51) **LOC (11) Cl.** **07-05**

(52) **U.S. Cl.**
USPC **D32/40**

(58) **Field of Classification Search**
USPC D32/40-44; 16/110.1-429; D8/300-301, D8/303, 305-307, 70, 62; D4/120, 122; D9/519, 545, 516
CPC .. A47B 95/02; A47K 7/02; A63H 3/00; A47L 13/16
See application file for complete search history.

(56) **References Cited**

U.S. PATENT DOCUMENTS

854,923 A * 5/1907 Broad F42B 12/34 102/508
1,432,669 A * 10/1922 Clay F42B 12/38 102/513

(Continued)

FOREIGN PATENT DOCUMENTS

GB 1043293 * 3/1988
JP D1132407 * 1/2002

OTHER PUBLICATIONS

Glass Bottle.com Frost Perfume Roll on Bottle With Cap and Roller, website 2017, <http://www.glassbottlefactory.com/sale-8506118->

10ml-frost-perfume-roll-on-bottle-with-c . . . site visited Mar. 22, 2017.*

(Continued)

Primary Examiner — John Windmuller

Assistant Examiner — John R Yeh

(74) *Attorney, Agent, or Firm* — Lucas & Mercanti, LLP

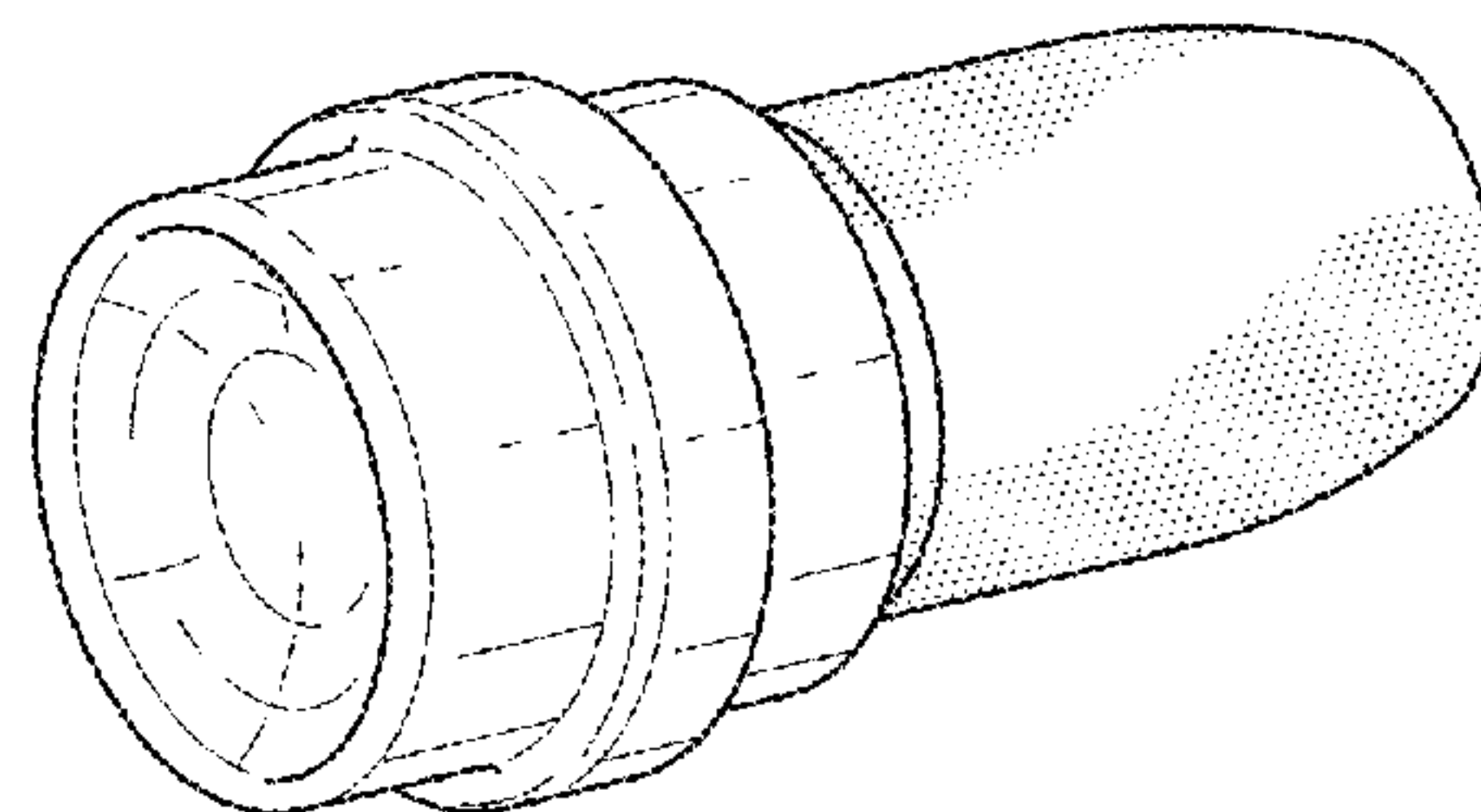
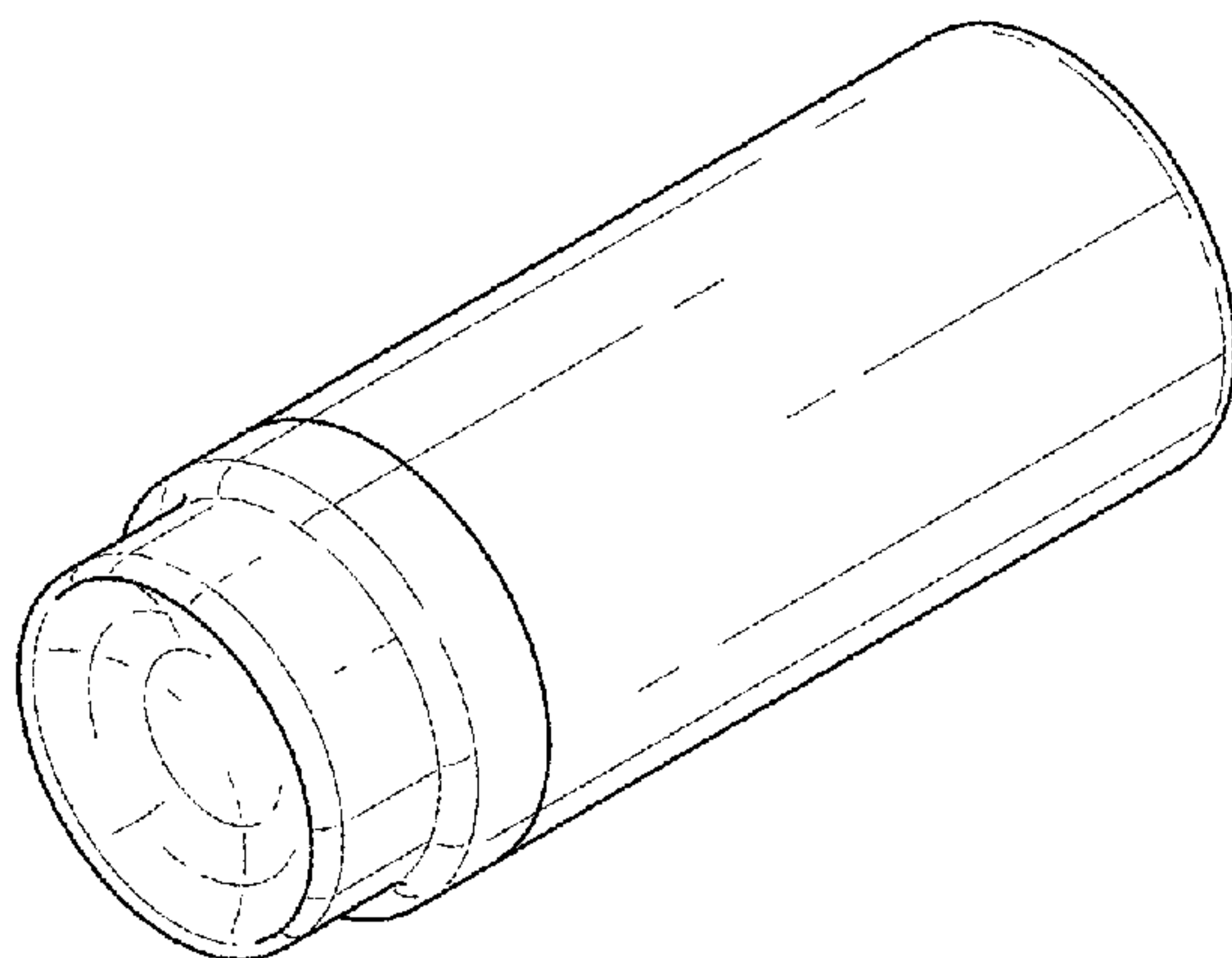
(57) **CLAIM**

The ornamental design for a cleaning apparatus, as shown and described.

DESCRIPTION

FIG. 1 is a perspective view of a cleaning apparatus in a closed position;
FIG. 2 is a view of one end thereof;
FIG. 3 is a view of the opposite end thereof;
FIG. 4 is a left side view thereof;
FIG. 5 is a right side view thereof;
FIG. 6 is a top view thereof;
FIG. 7 is a bottom view thereof;
FIG. 8 is a perspective view of the cleaning apparatus of FIG. 1 with the cap portion removed;
FIG. 9 is a view of one end thereof;
FIG. 10 is a left side view thereof;
FIG. 11 is a right side view thereof;
FIG. 12 is a top view thereof;
FIG. 13 is a bottom view thereof;
FIG. 14 is a view of one end thereof;
FIG. 15 is a left side view of the cleaning apparatus of FIG. 1 with the cap portion placed on the base portion in a use position;
FIG. 16 is a right side view thereof;
FIG. 17 is a top view thereof;
FIG. 18 is a bottom view thereof;
FIG. 19 is a perspective view of the cleaning apparatus of FIG. 15 with a hole in the cleaning head; and,
FIG. 20 is a top view of the cleaning apparatus of FIG. 19 illustrating the hole in the cleaning head.

1 Claim, 7 Drawing Sheets



(56)

References Cited

U.S. PATENT DOCUMENTS

1,504,217 A * 8/1924 Coryell A45D 40/06
132/318
1,833,645 A * 11/1931 Hartz F42B 12/34
102/508
2,099,488 A * 11/1937 Kasdan A45D 40/06
401/71
2,287,366 A * 6/1942 Younghusband A45D 40/10
206/817
2,287,768 A * 6/1942 Eckstein B65B 41/16
101/475
2,318,365 A * 5/1943 Boysen A46B 5/04
15/227
2,542,774 A 2/1951 Hutchinson
2,658,217 A 11/1953 Green
3,381,325 A 5/1968 Reineman
3,542,025 A * 11/1970 Gustafson A61F 13/2082
604/1
3,991,684 A * 11/1976 Pritchard F42B 12/78
102/510
D281,654 S 12/1985 Bladh et al.
4,740,097 A * 4/1988 Kapustin A45D 40/00
132/320
4,979,257 A 12/1990 Heneveld
5,333,341 A 8/1994 Heneveld
D533,044 S * 12/2006 Buening D8/103
D539,545 S 4/2007 Crane et al.

7,213,291 B2 5/2007 Hsu
D663,836 S * 7/2012 Ruiz, Sr. D24/133
D666,733 S * 9/2012 Caggiano D24/215
D686,367 S * 7/2013 Ruiz, Sr. D28/7
D700,018 S * 2/2014 Thrash D7/608
D722,126 S * 2/2015 Bray D22/115
D727,567 S * 4/2015 Bunkley D28/7
2005/0089359 A1 * 4/2005 Chen A45D 34/042
401/266
2010/0291266 A1 * 11/2010 Czinki A23L 33/17
426/72
2011/0265279 A1 * 11/2011 Kawaguchi A46B 9/005
15/244.4
2012/0042470 A1 * 2/2012 Putnik A47L 13/60
15/262
2013/0058701 A1 * 3/2013 Chan A45D 40/023
401/59
2013/0294810 A1 * 11/2013 Chan A45D 40/06
401/75

OTHER PUBLICATIONS

SKT Productions, Inc. iRoller—Reusable, liquid free touch screen Cleaner, review date Jan. 3, 2017, <http://www.ebay.com/itm/SKT-Productions-Inc-iRoller-Reusable-liquid-free-touch-screen-Cleaner-/252806230918#rwid>, [site visited Mar. 22, 2017 9:27:17 PM].*

* cited by examiner

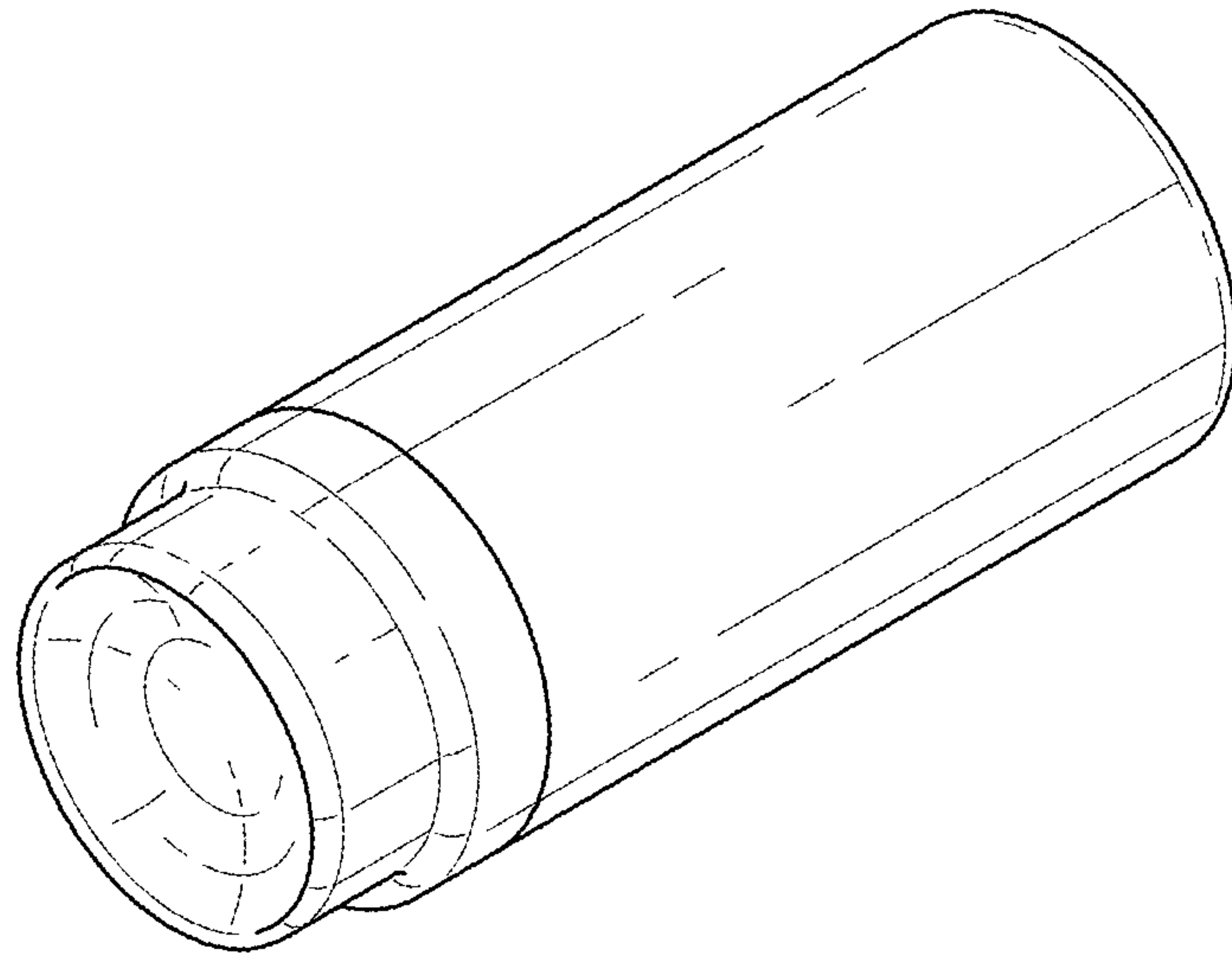


FIG. 1

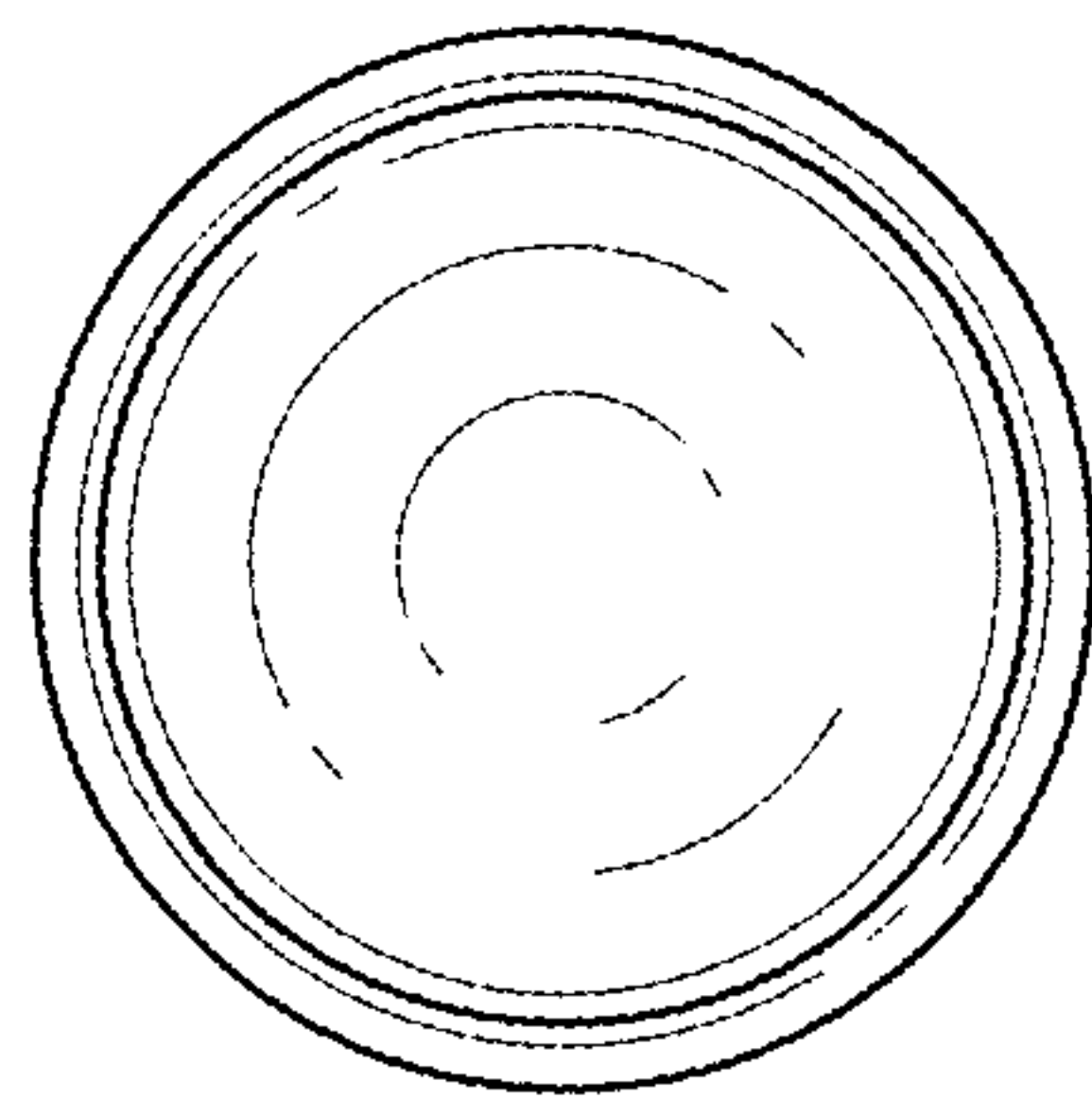


FIG. 2

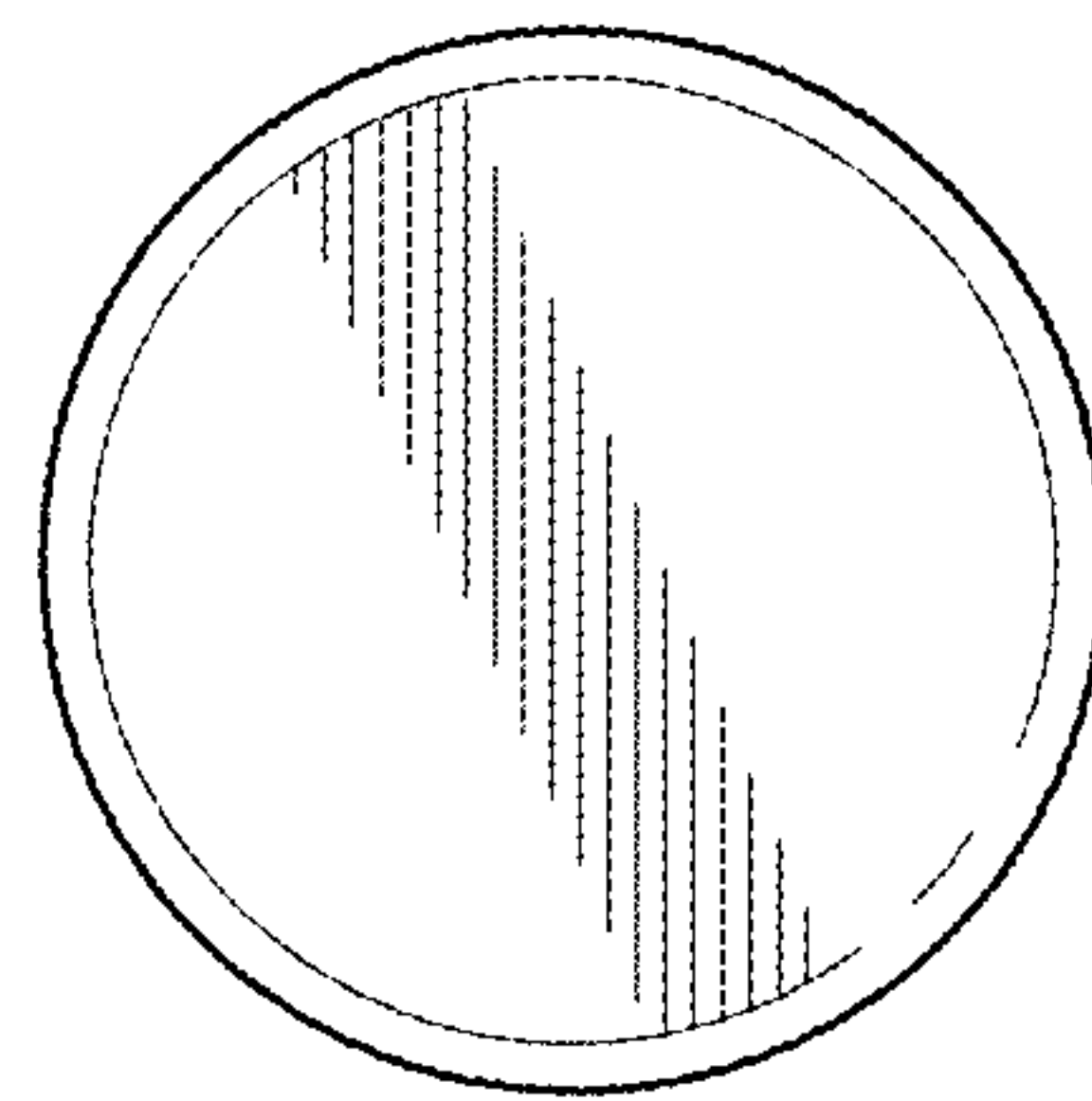


FIG. 3

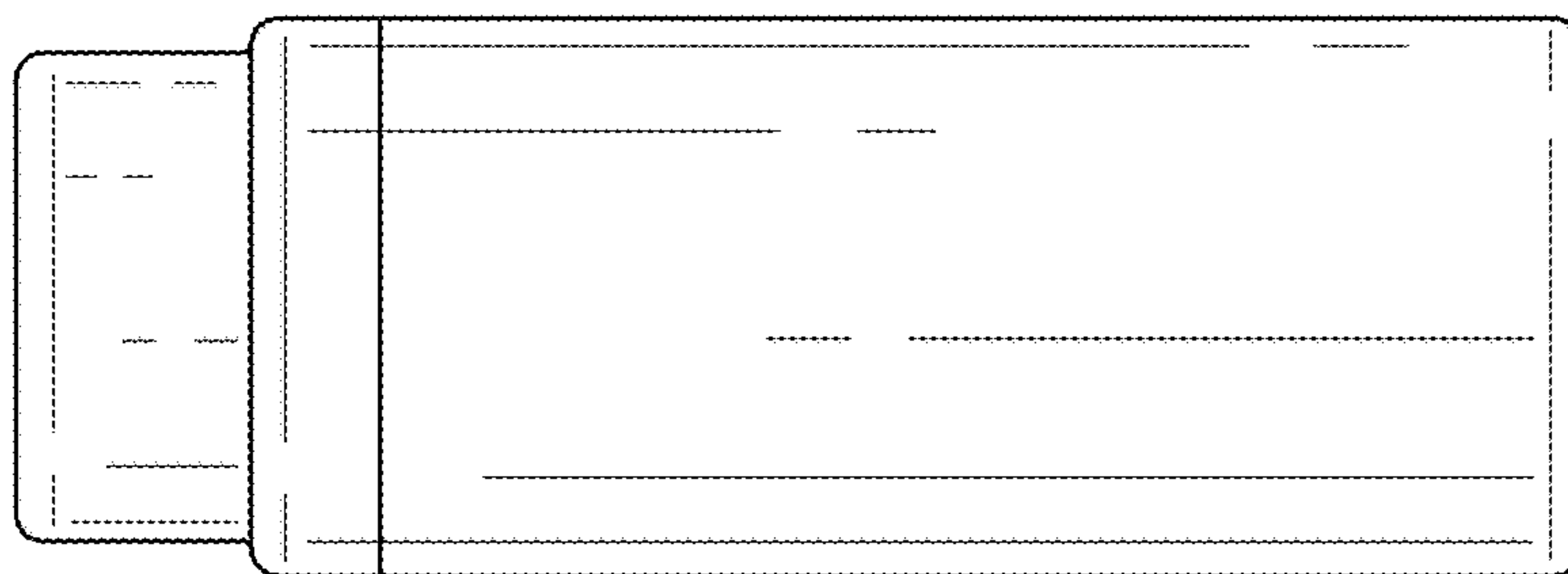


FIG. 4

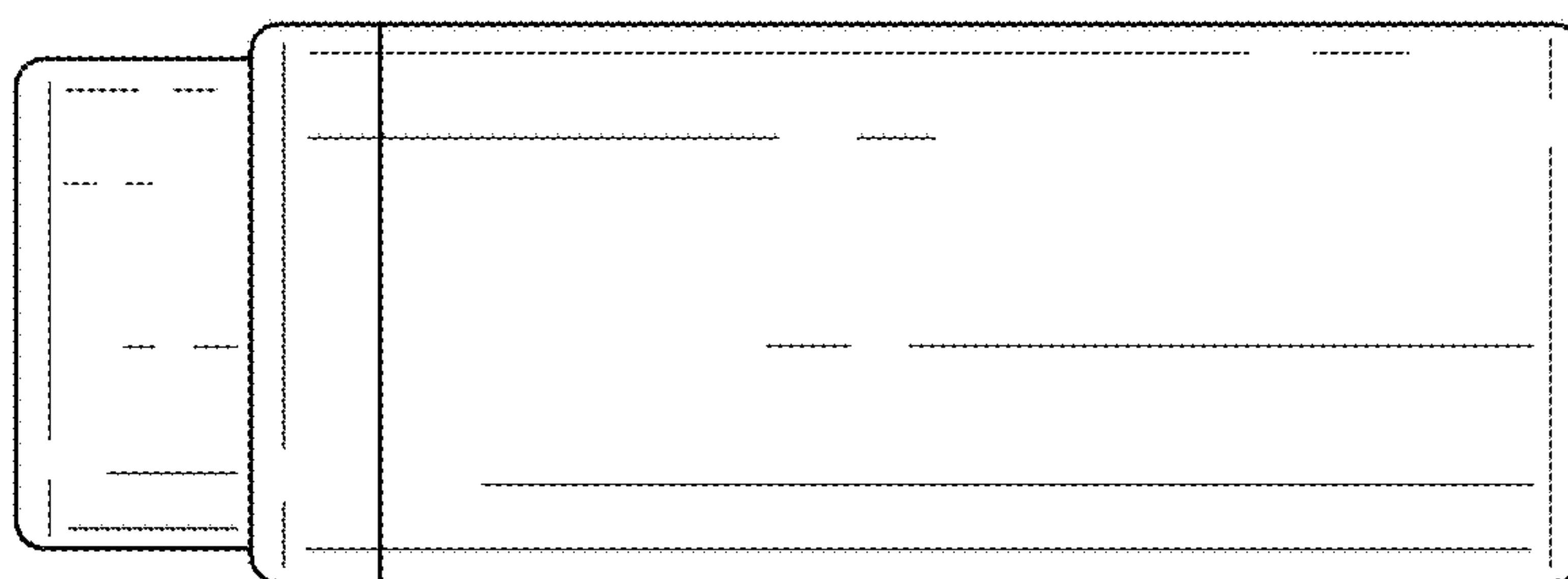


FIG. 5

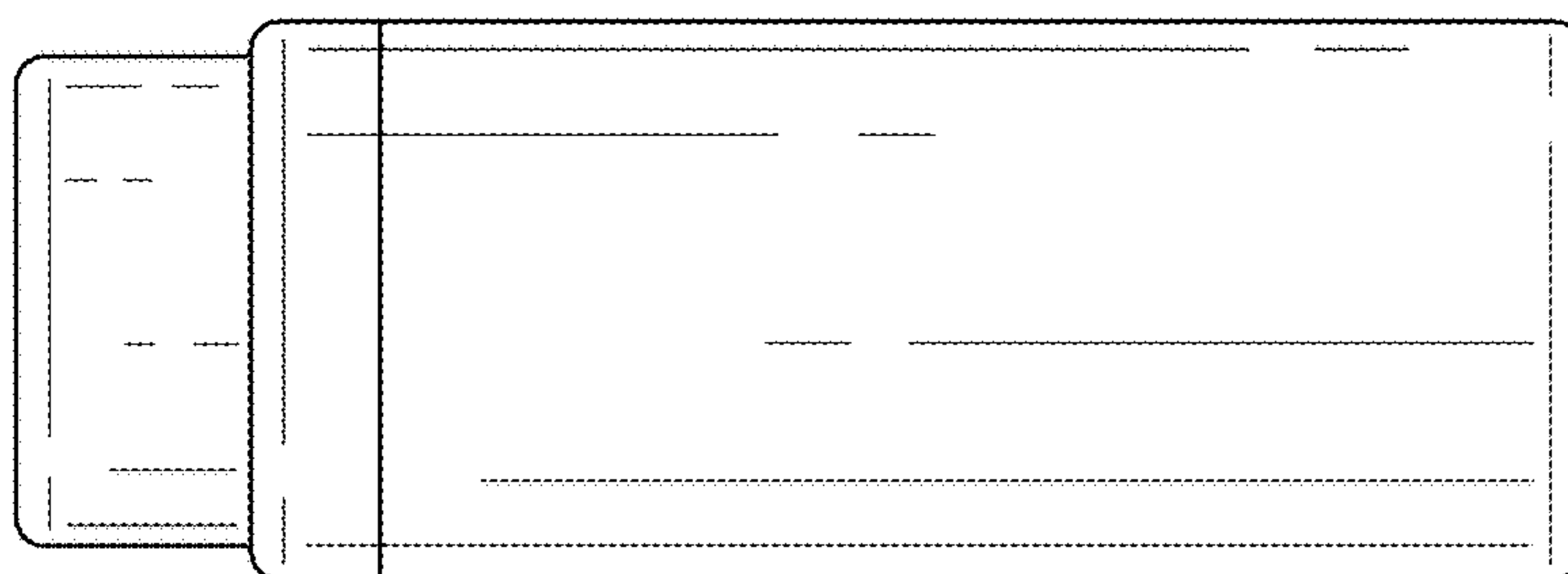


FIG. 6

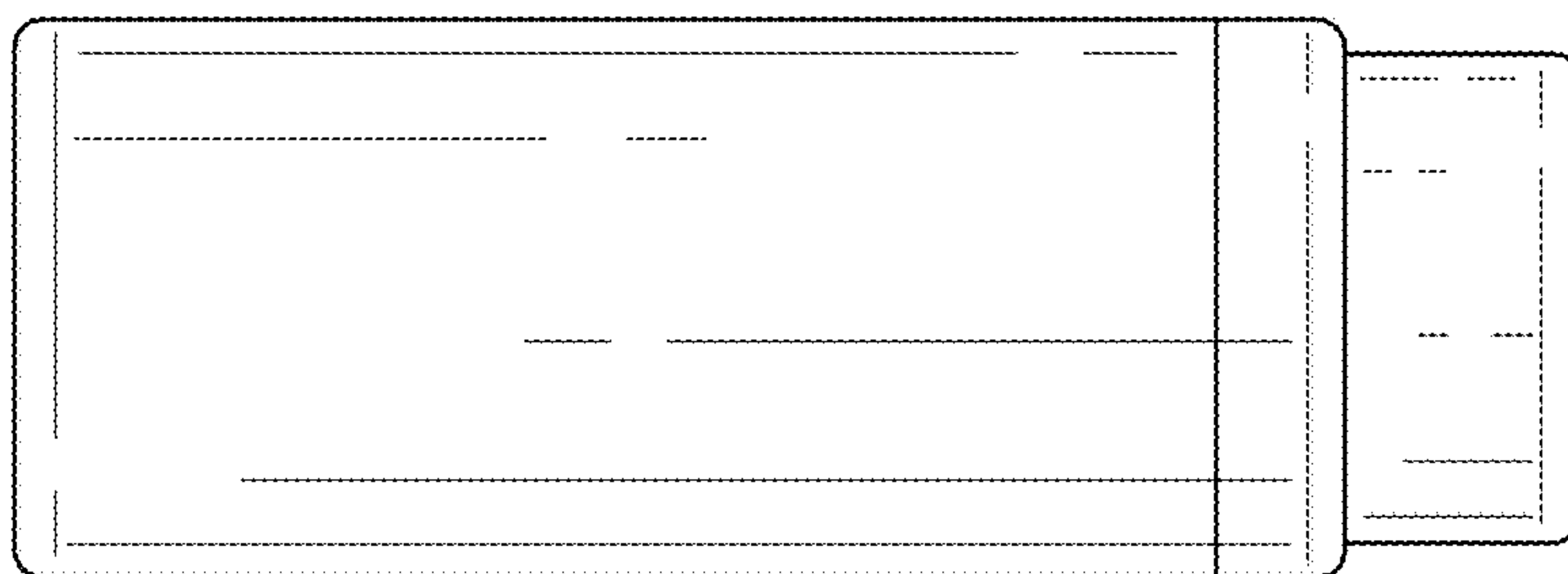


FIG. 7

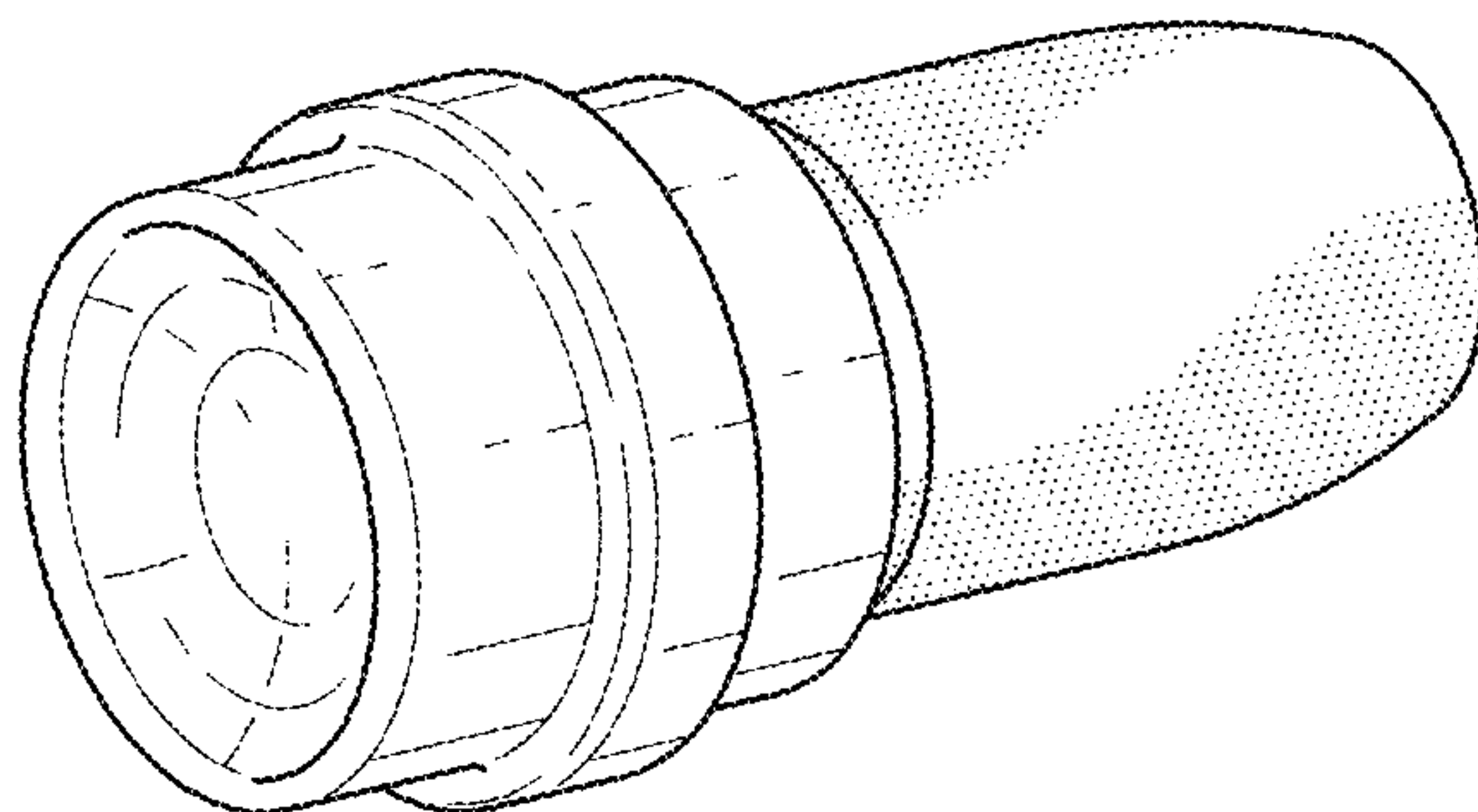


FIG. 8

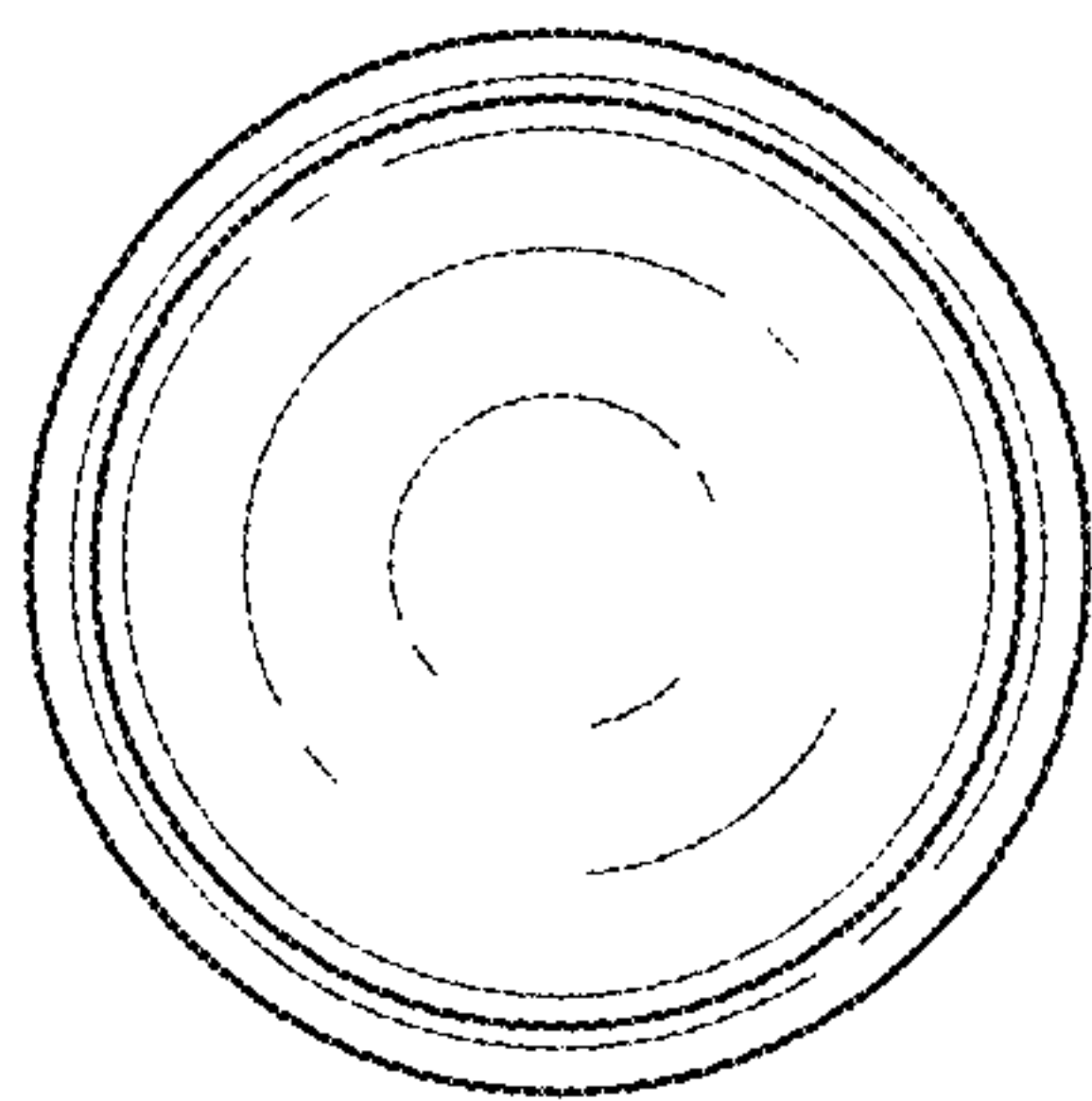


FIG. 9

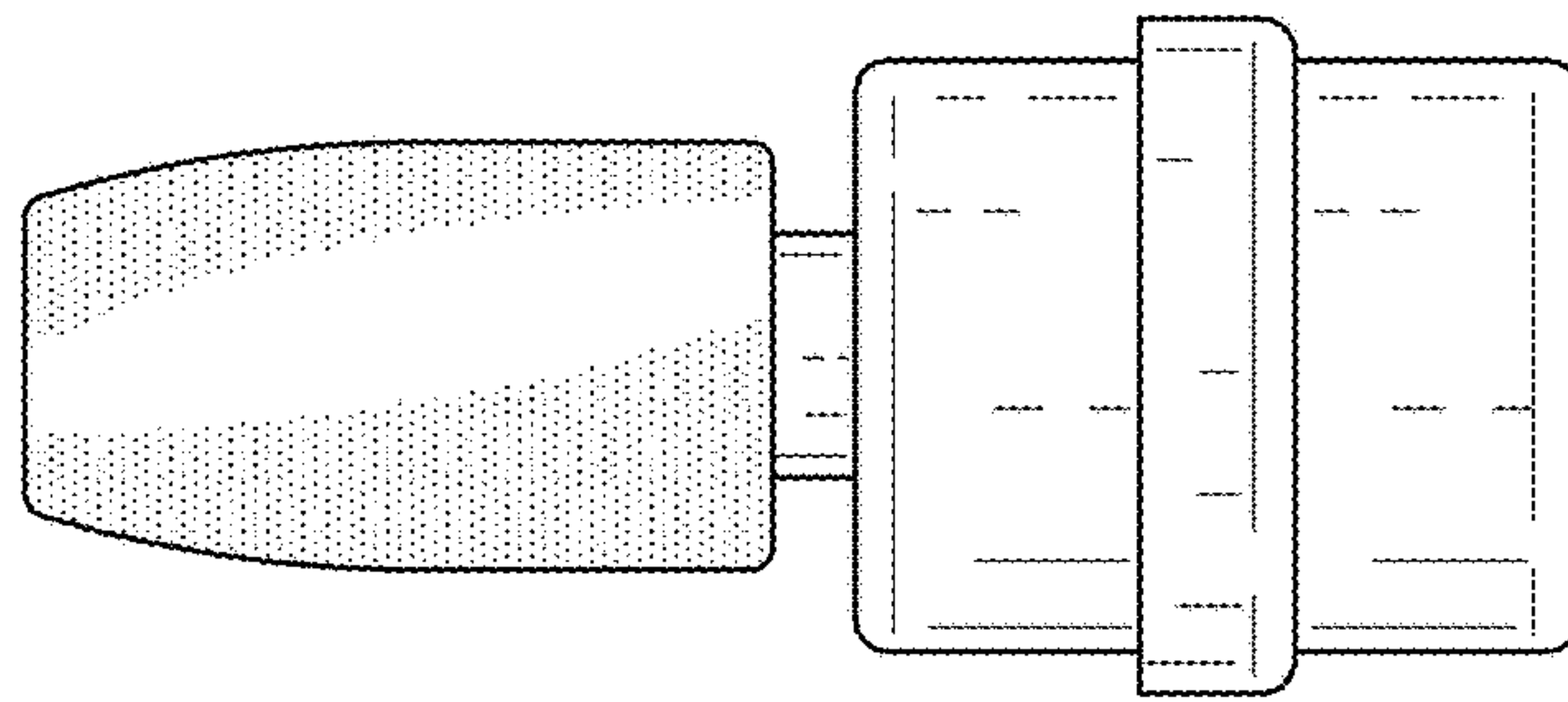


FIG. 10

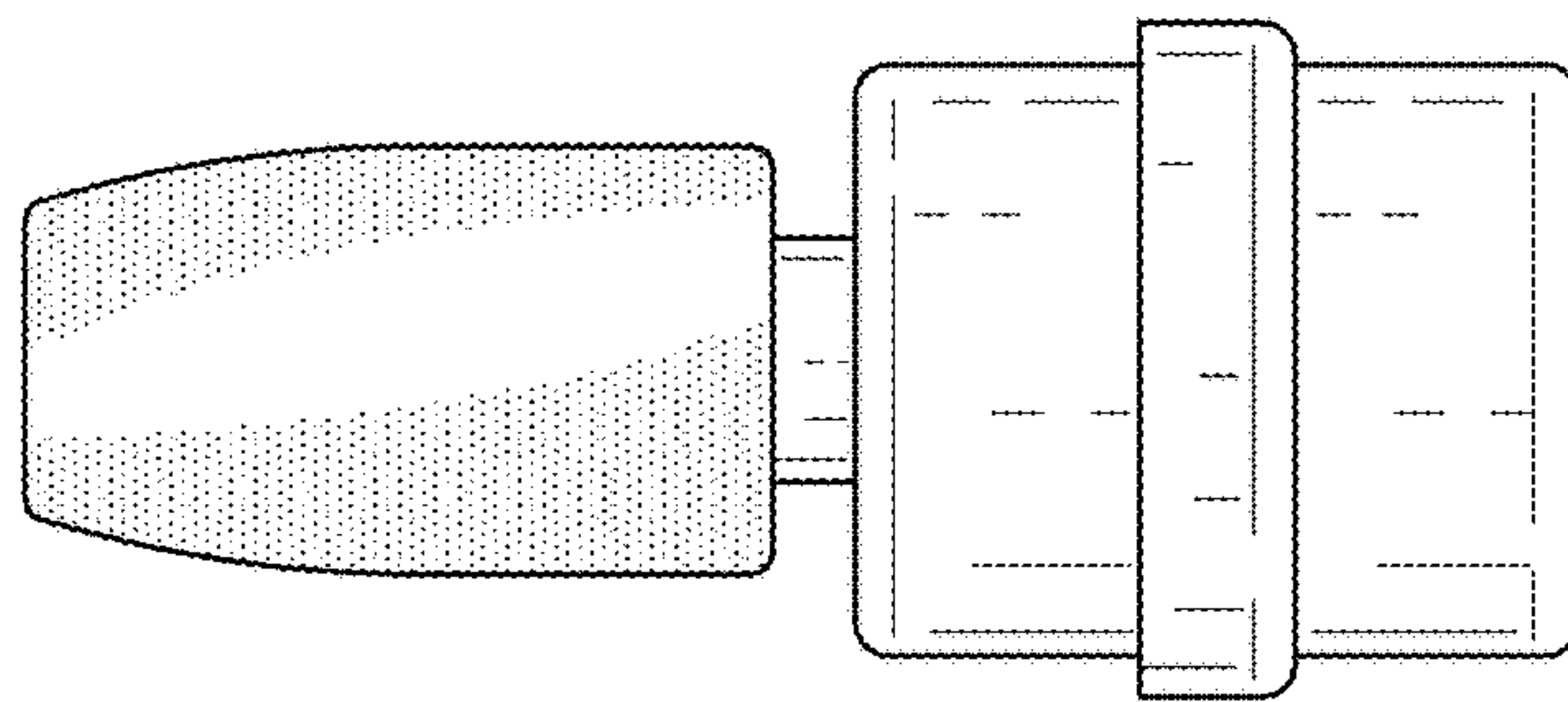


FIG. 11

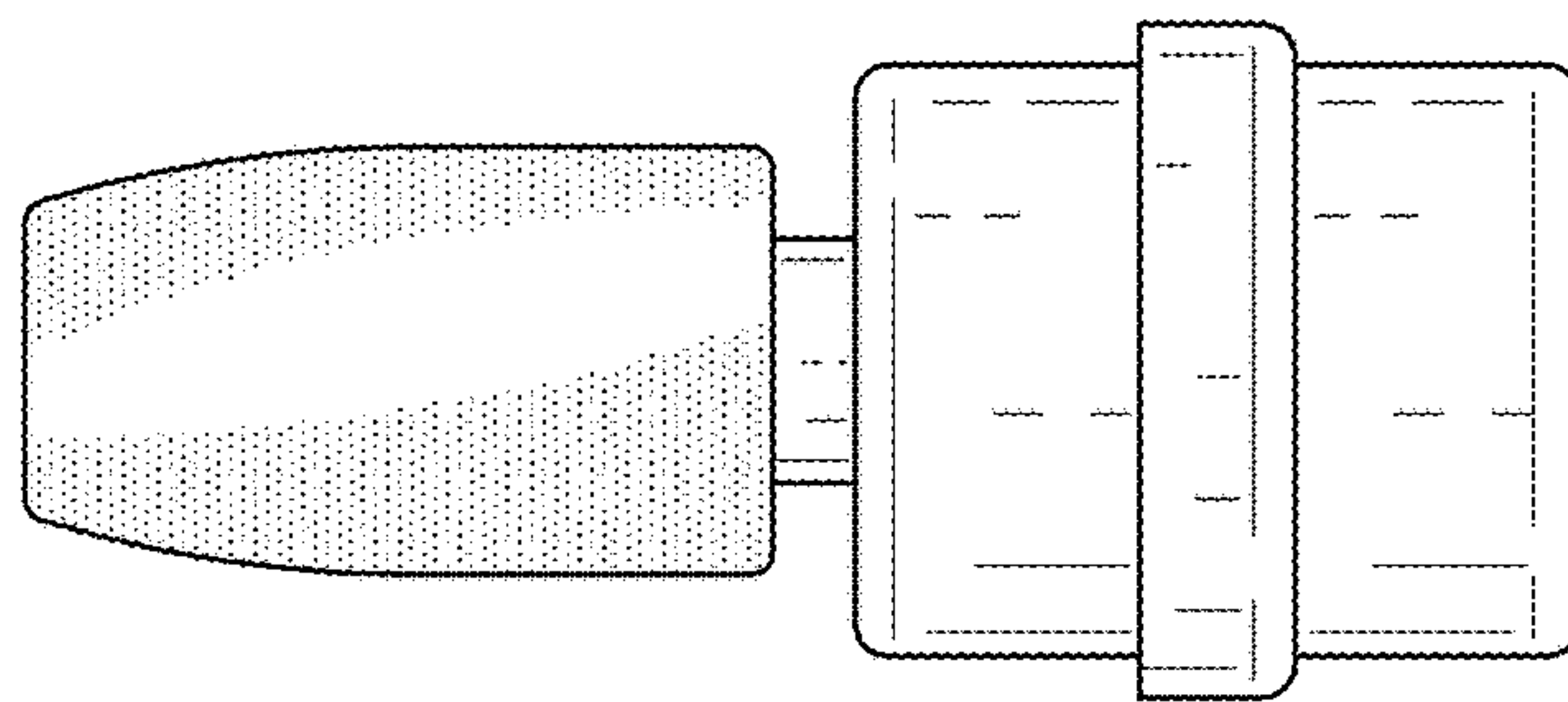


FIG. 12

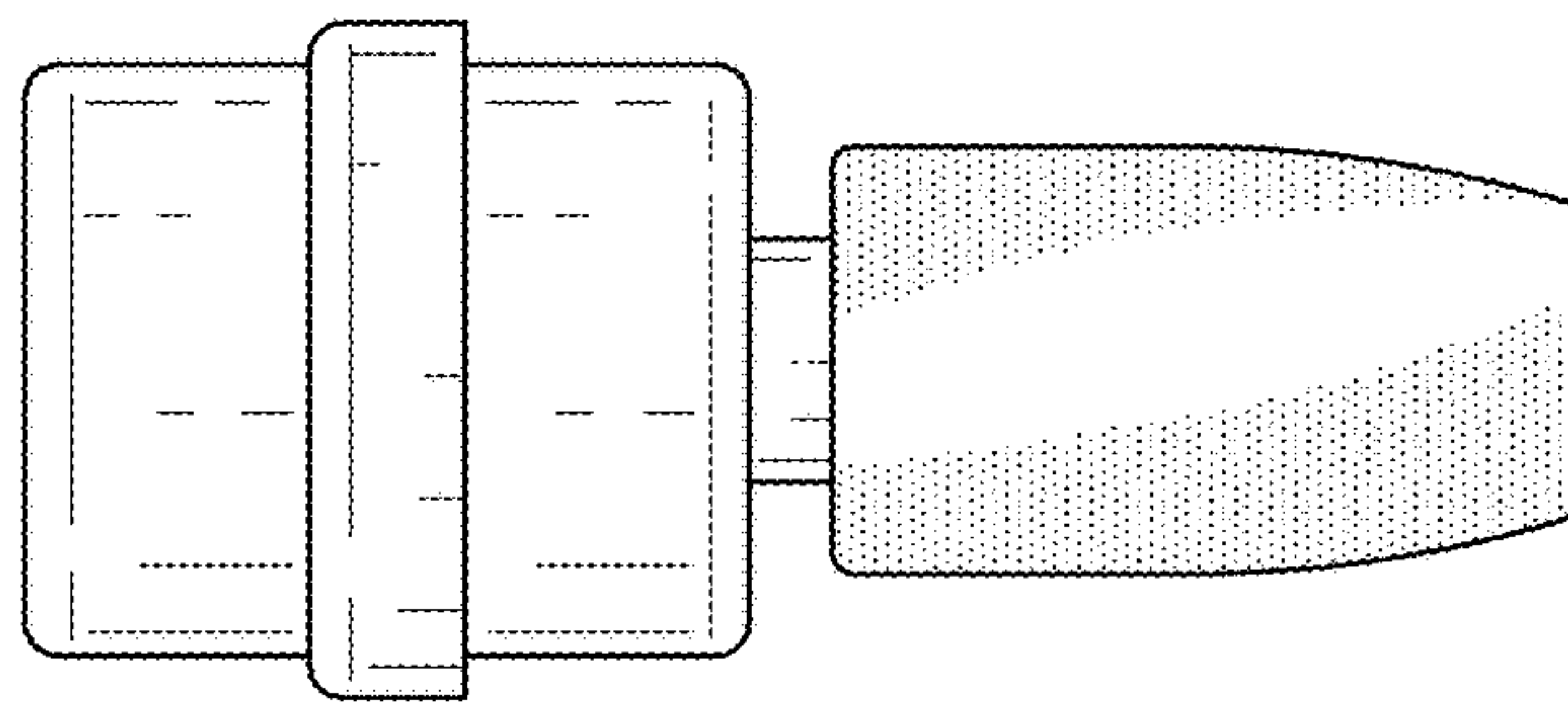


FIG. 13

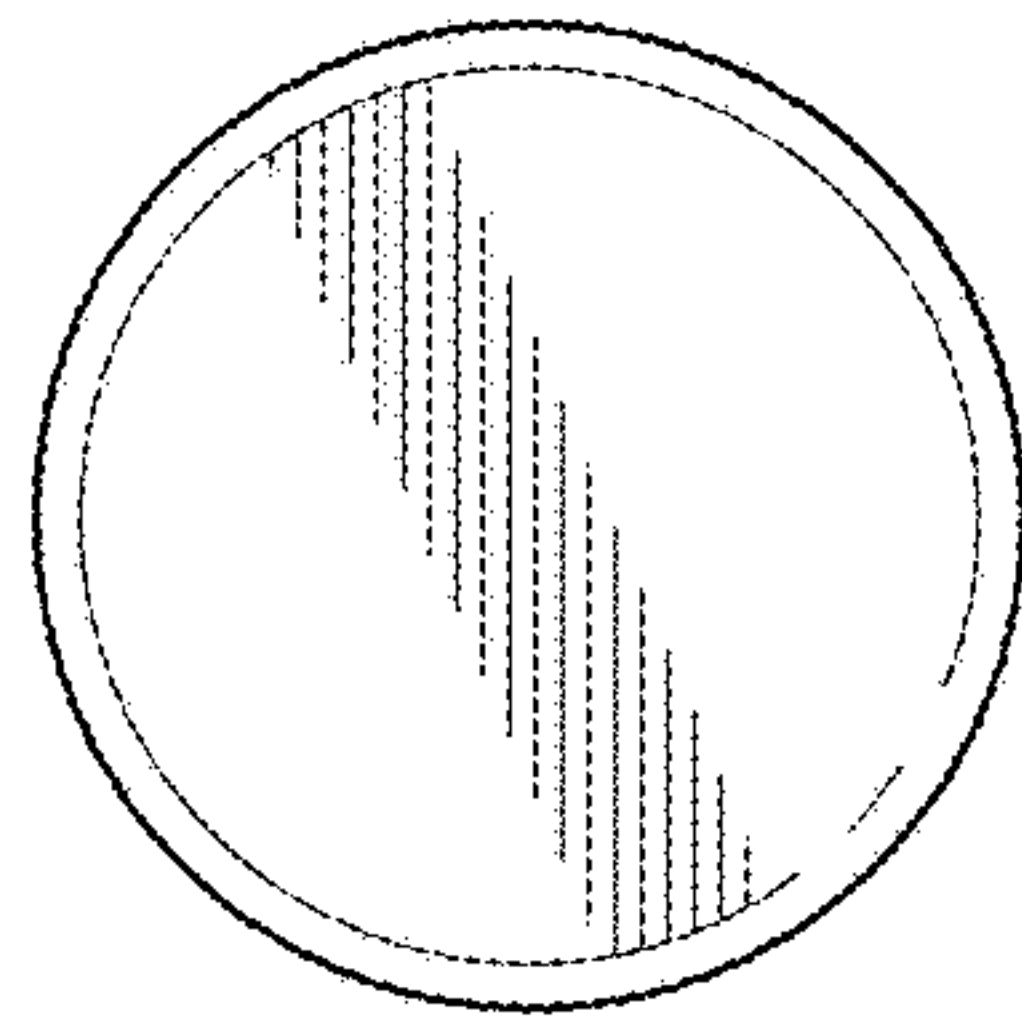


FIG. 14

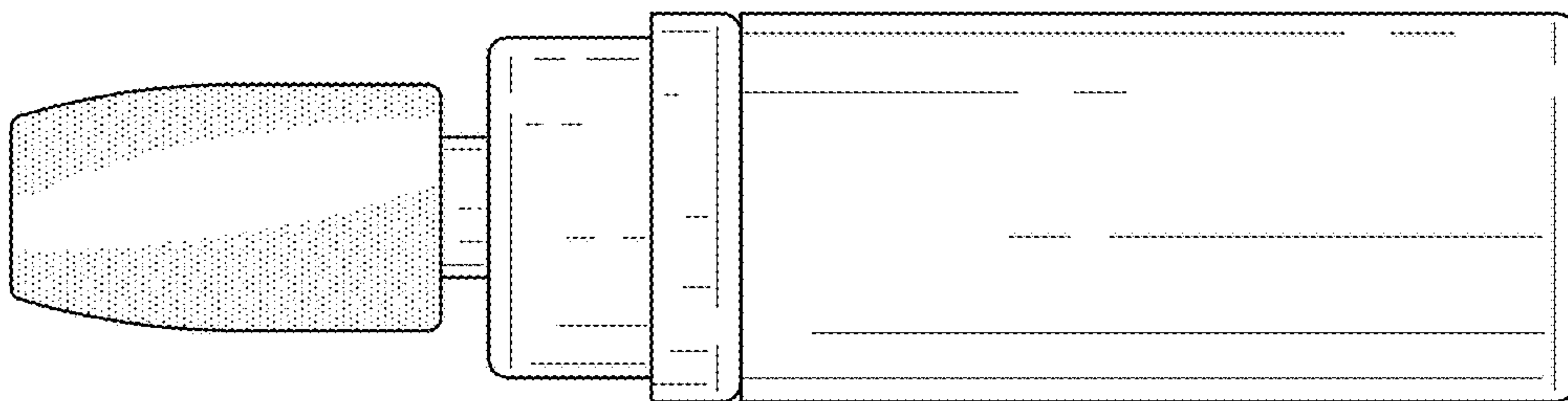


FIG. 15

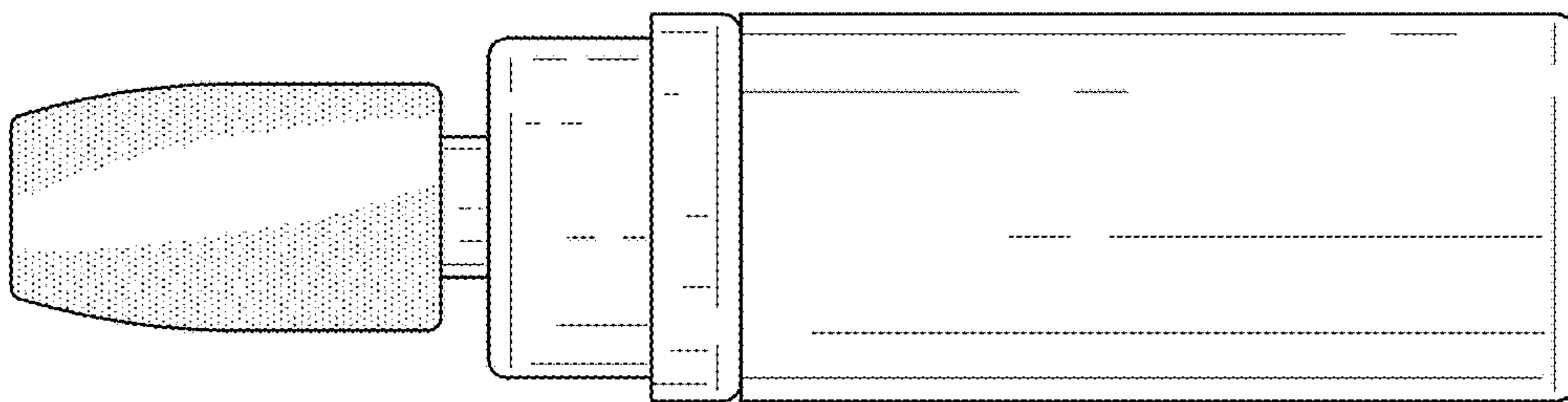


FIG. 16

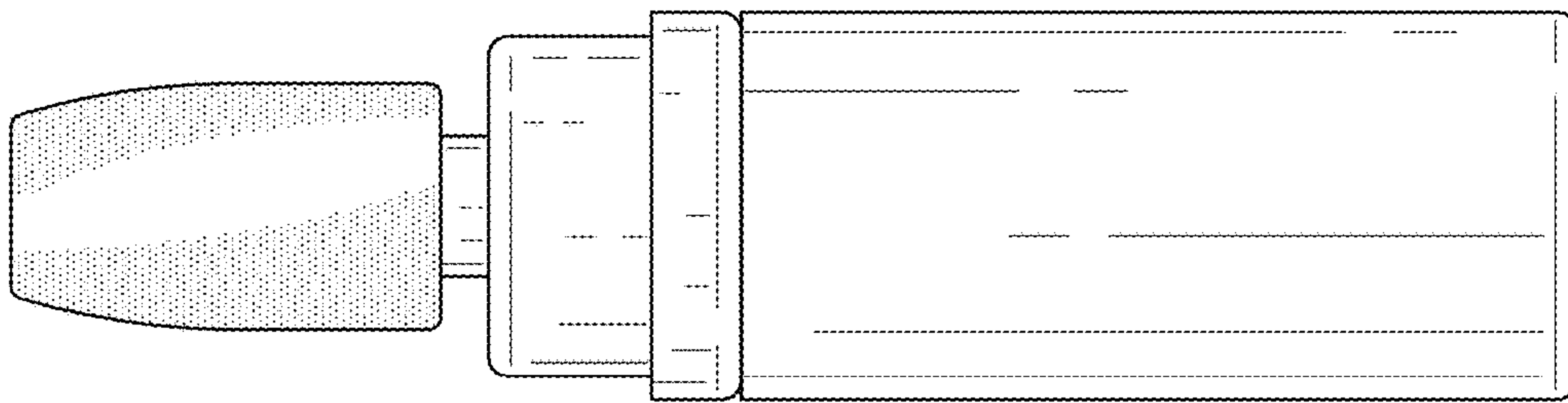


FIG. 17

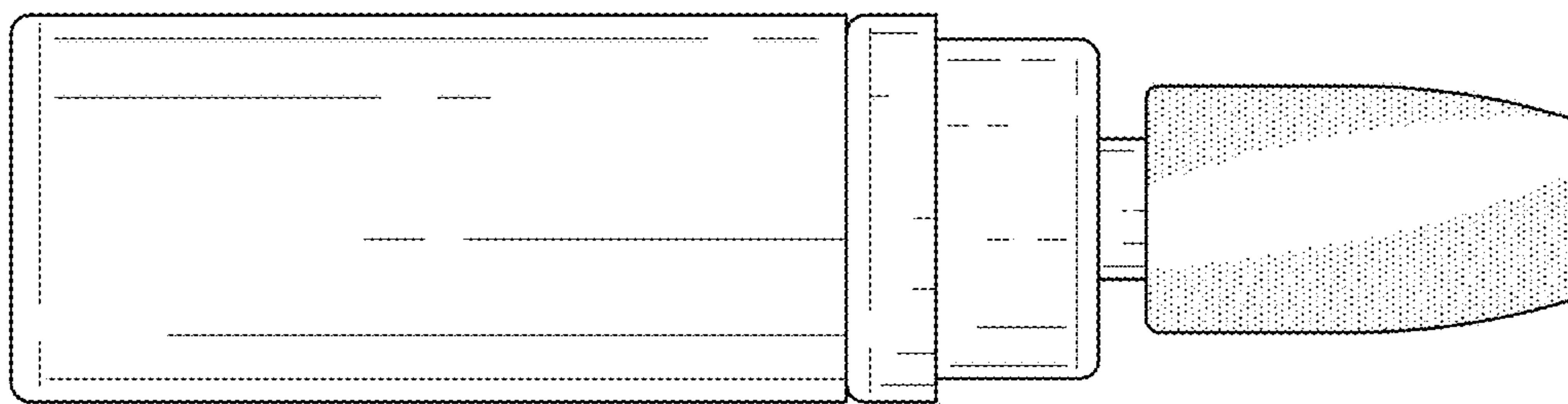


FIG. 18

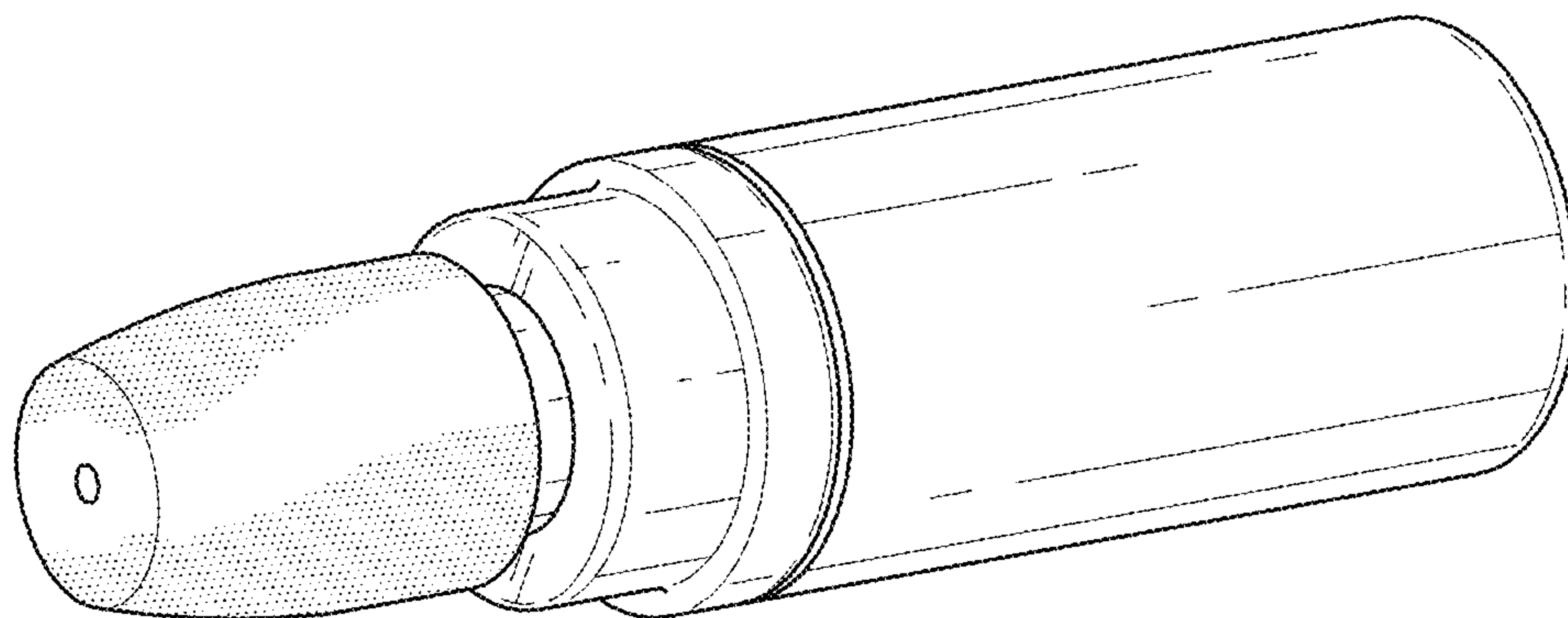


FIG. 19

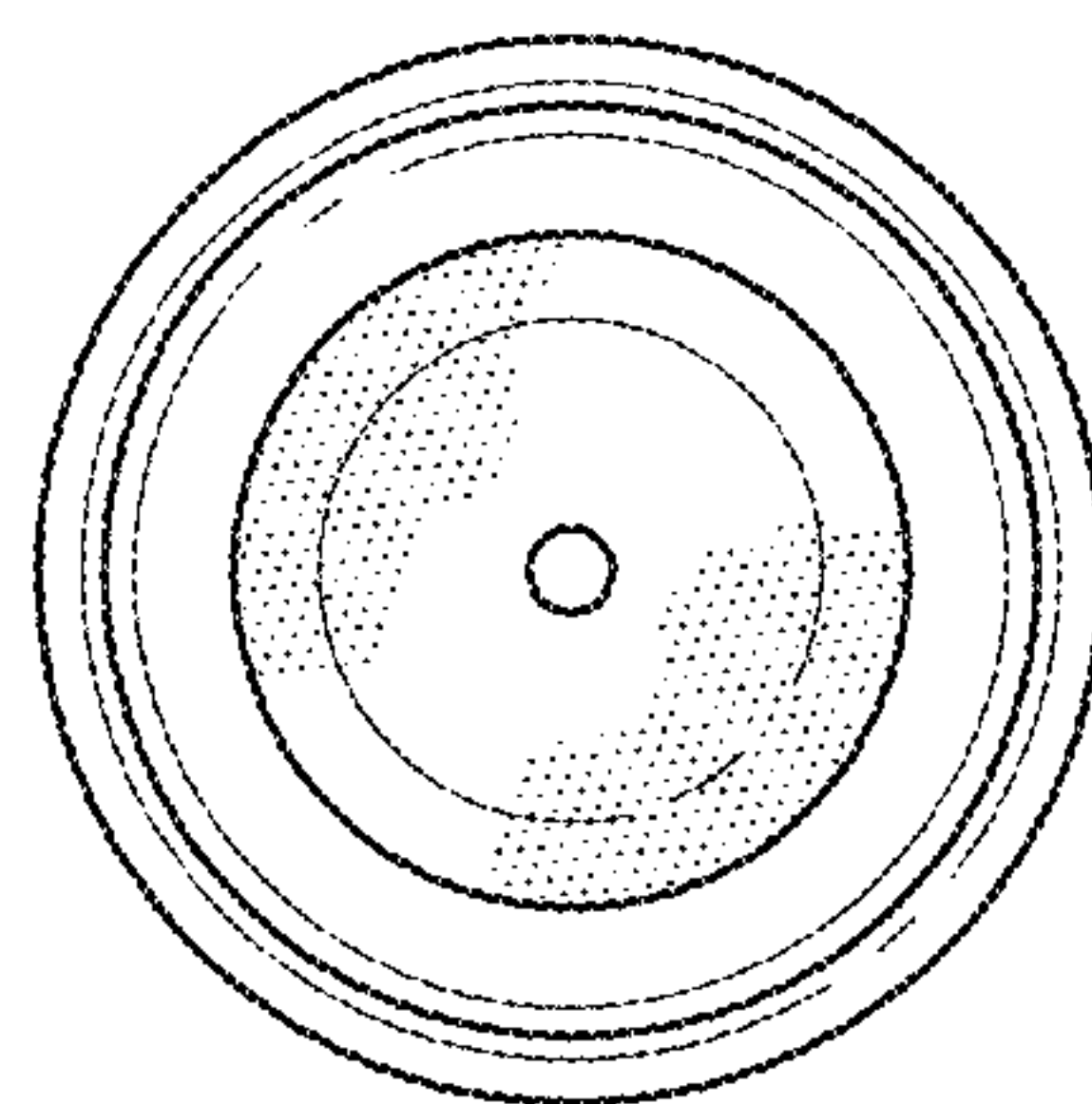


FIG. 20