



US00D814125S

(12) **United States Design Patent**
Perzow

(10) **Patent No.:** **US D814,125 S**
(45) **Date of Patent:** **** Mar. 27, 2018**

- (54) **HORSE BIT**
- (71) Applicant: **Michael Perzow**, Boca Raton, FL (US)
- (72) Inventor: **Michael Perzow**, Boca Raton, FL (US)
- (73) Assignee: **Michael Perzow**, Boca Raton, FL (US)
- (**) Term: **15 Years**
- (21) Appl. No.: **29/546,565**
- (22) Filed: **Nov. 24, 2015**
- (51) **LOC (11) Cl.** **30-04**
- (52) **U.S. Cl.**
USPC **D30/136**
- (58) **Field of Classification Search**
USPC D30/136, 138
CPC B68B 1/06; B68B 1/04
See application file for complete search history.

6,202,393	B1 *	3/2001	Myler	B68B 1/06	54/7
6,324,821	B1 *	12/2001	Bauer	B68B 1/06	54/8
D508,590	S *	8/2005	Weyand		54/7
D510,646	S *	10/2005	Weyand		54/7
D513,348	S *	12/2005	Weyand	D30/136	
D513,542	S *	1/2006	Weyand	D30/136	
D513,544	S *	1/2006	Weyand	D30/136	
D523,997	S *	6/2006	Weyand		54/7
D579,155	S *	10/2008	Edwards	D30/136	
D587,859	S *	3/2009	Augsten	D30/136	
D683,082	S *	5/2013	Jenkins	D30/136	

* cited by examiner

Primary Examiner — George K Kirschbaum
Assistant Examiner — Jennifer Watkins

(57) **CLAIM**

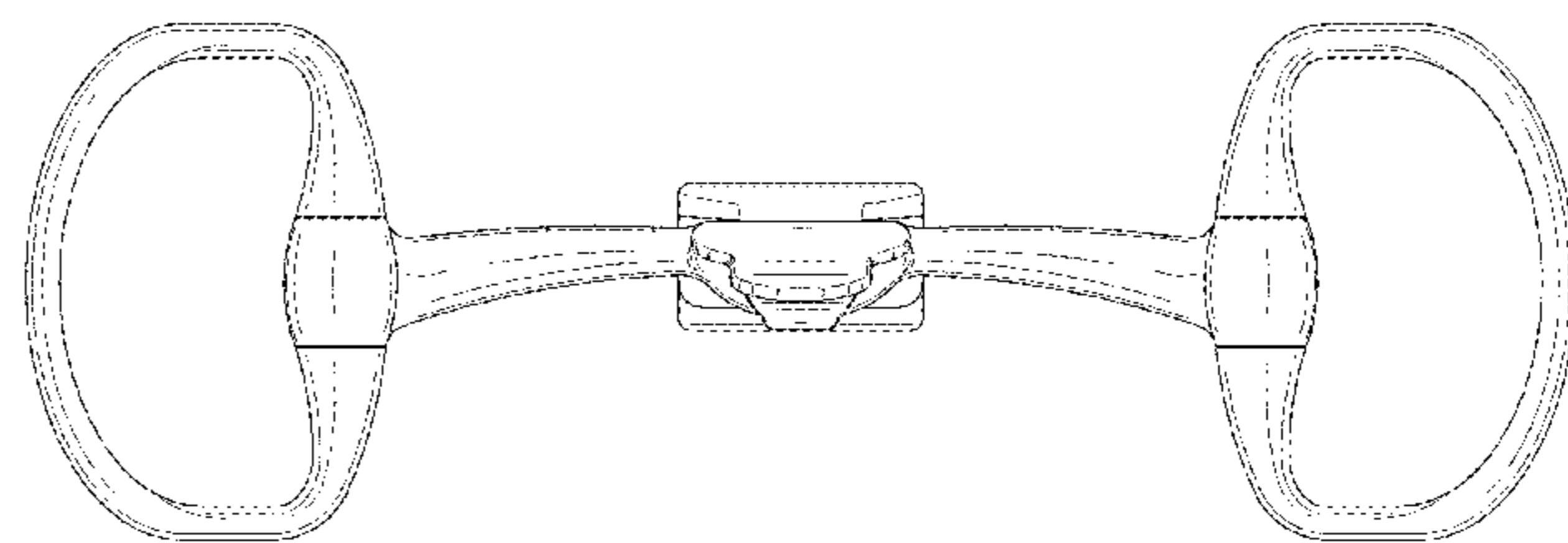
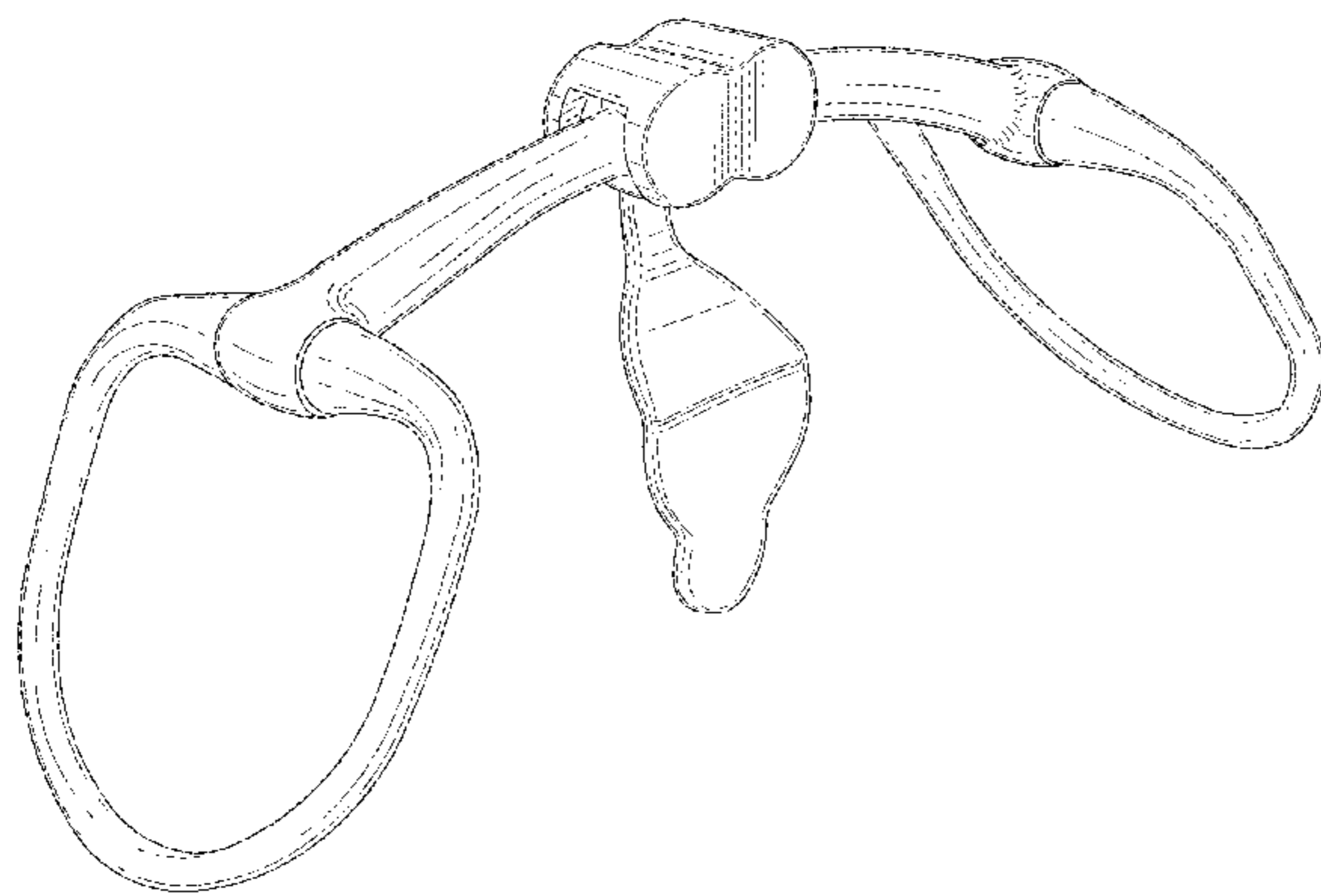
The ornamental design for a horse bit, as shown and described.

DESCRIPTION

FIG. 1 is a perspective view of a horse bit showing my new design.
FIG. 2 is a top plan view thereof.
FIG. 3 is a bottom plan view thereof.
FIG. 4 is a left side elevation view thereof.
FIG. 5 is a front elevation view thereof; and,
FIG. 6 is rear elevation view thereof.

1 Claim, 6 Drawing Sheets

- (56) **References Cited**
U.S. PATENT DOCUMENTS
- D13,652 S * 2/1883 Buermann D30/136
- D96,216 S * 7/1935 Bergen D30/136
- 3,745,743 A * 7/1973 Sprenger B68B 1/06
- 54/8
- D237,510 S * 11/1975 Garcia et al. D30/136
- 4,375,147 A * 3/1983 Conrad B68B 1/06
- 54/8
- 6,105,346 A * 8/2000 Hsi-Chang B68B 1/06
- 54/8



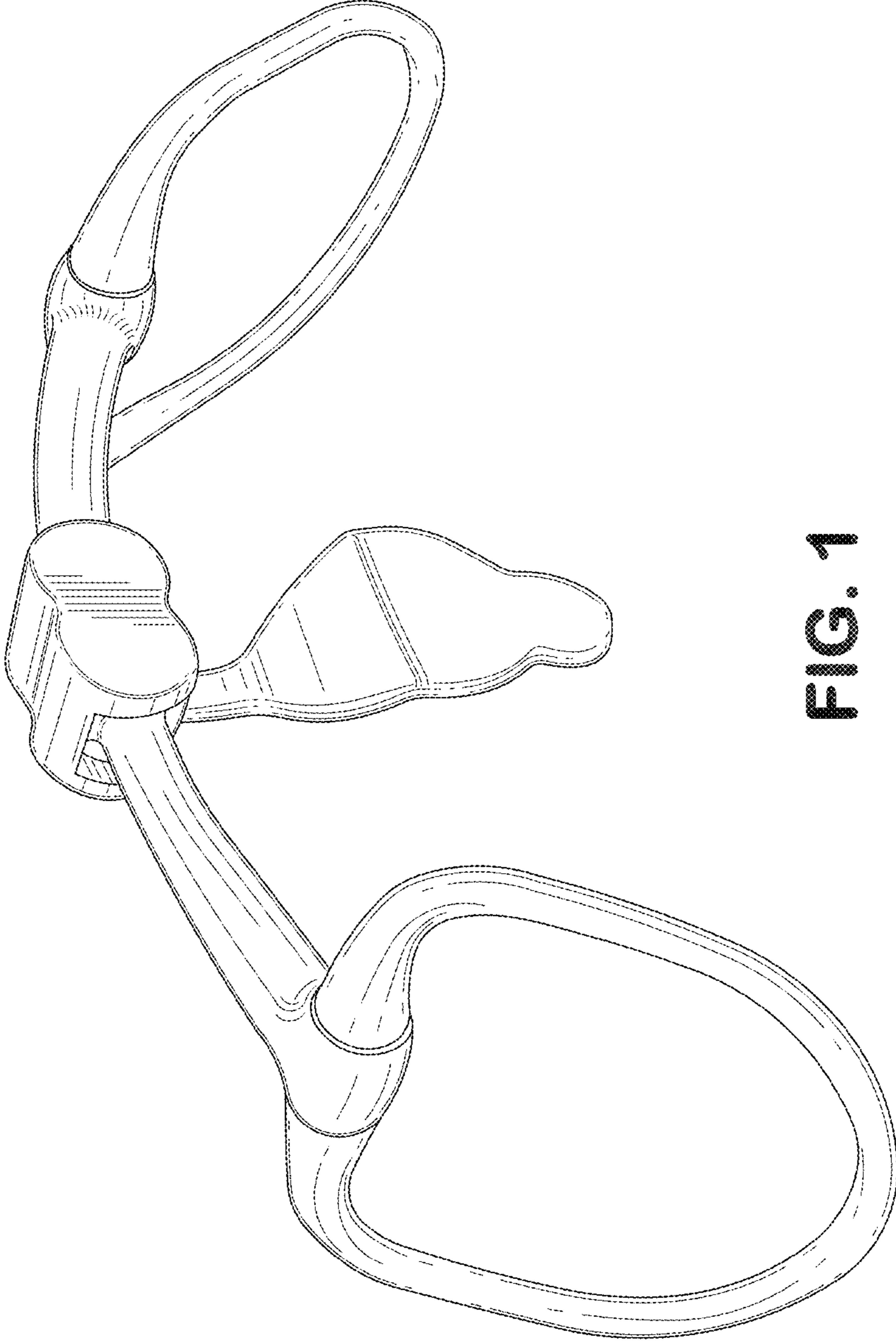


FIG. 1

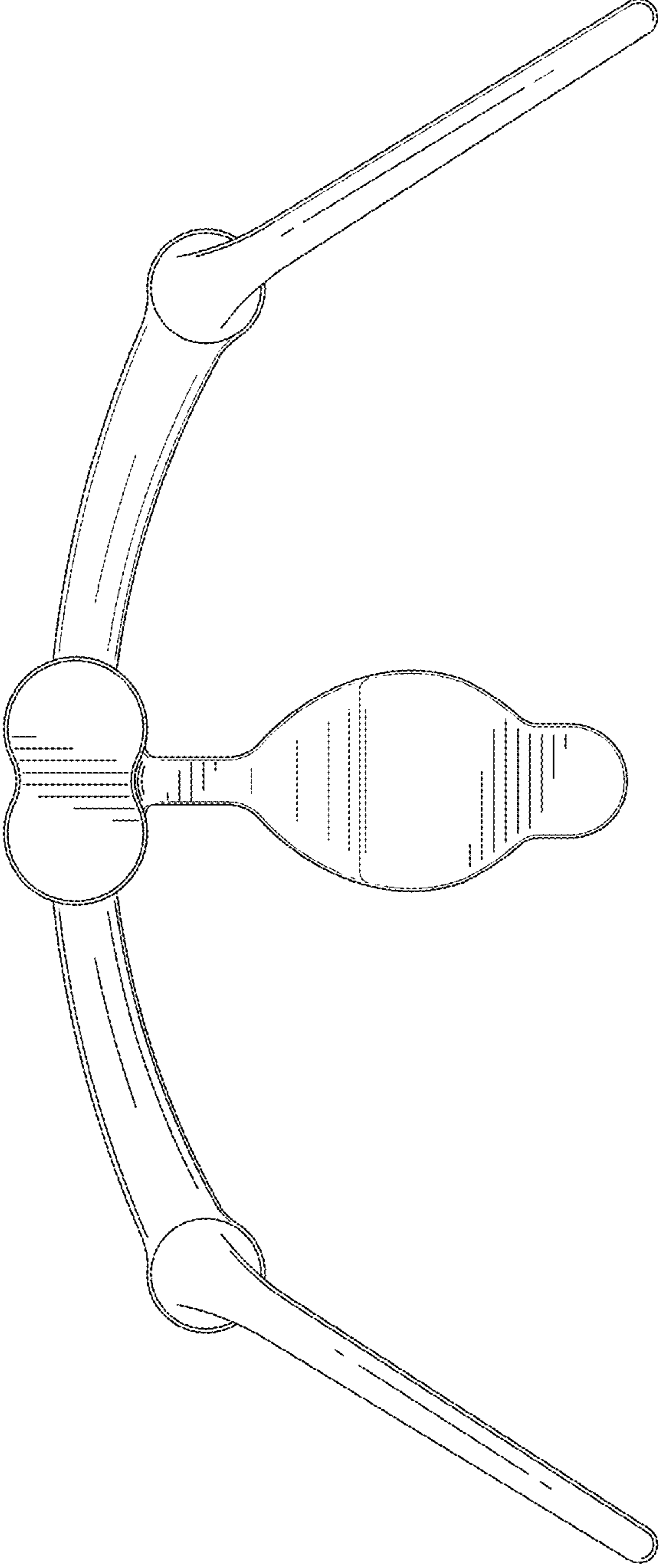


FIG. 2

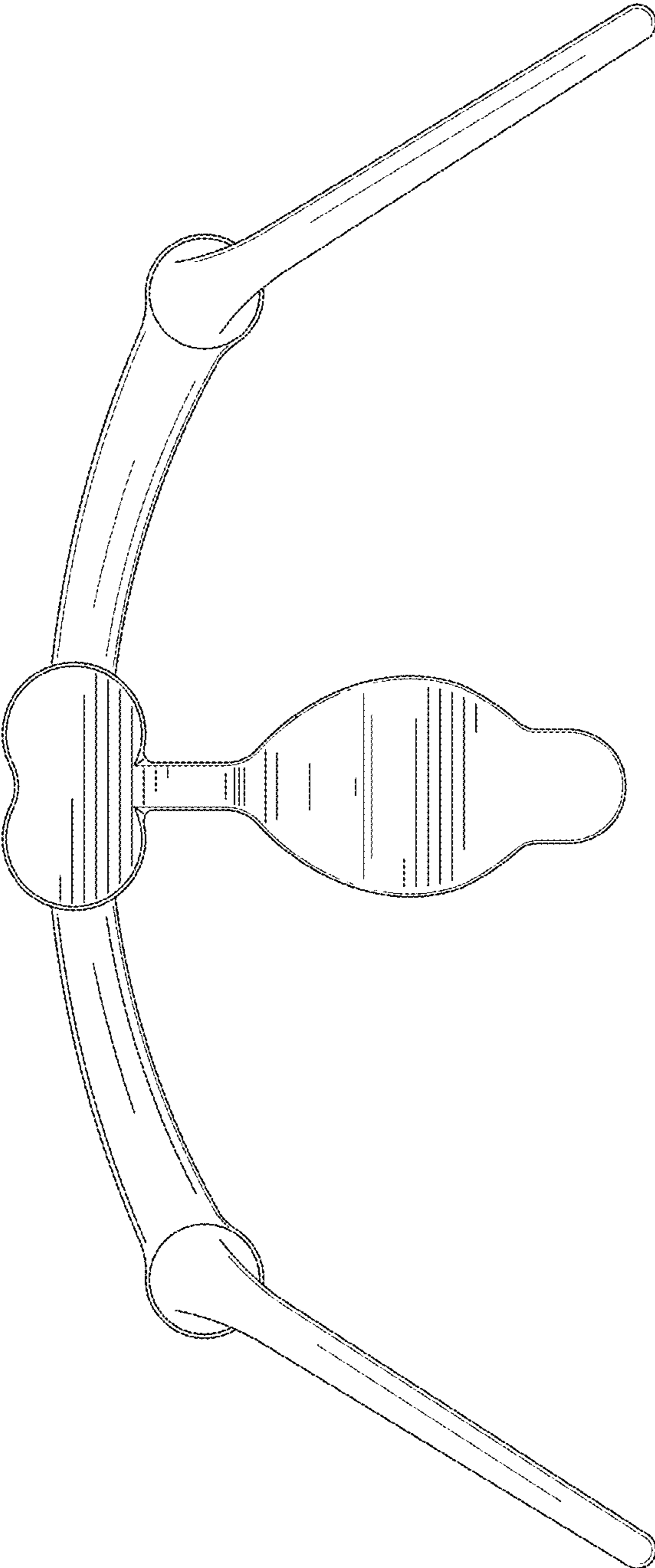


FIG. 3

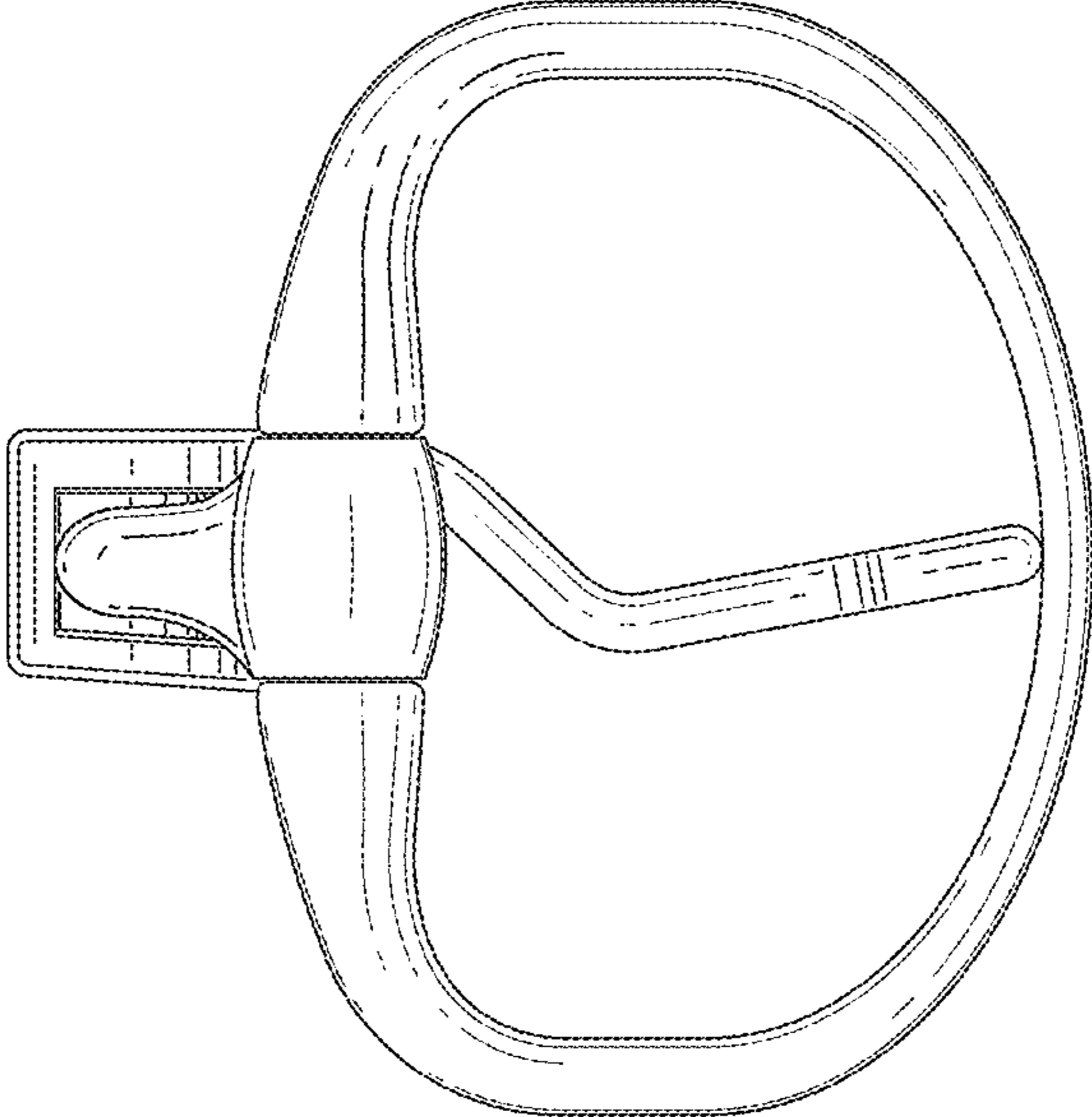


FIG. 4

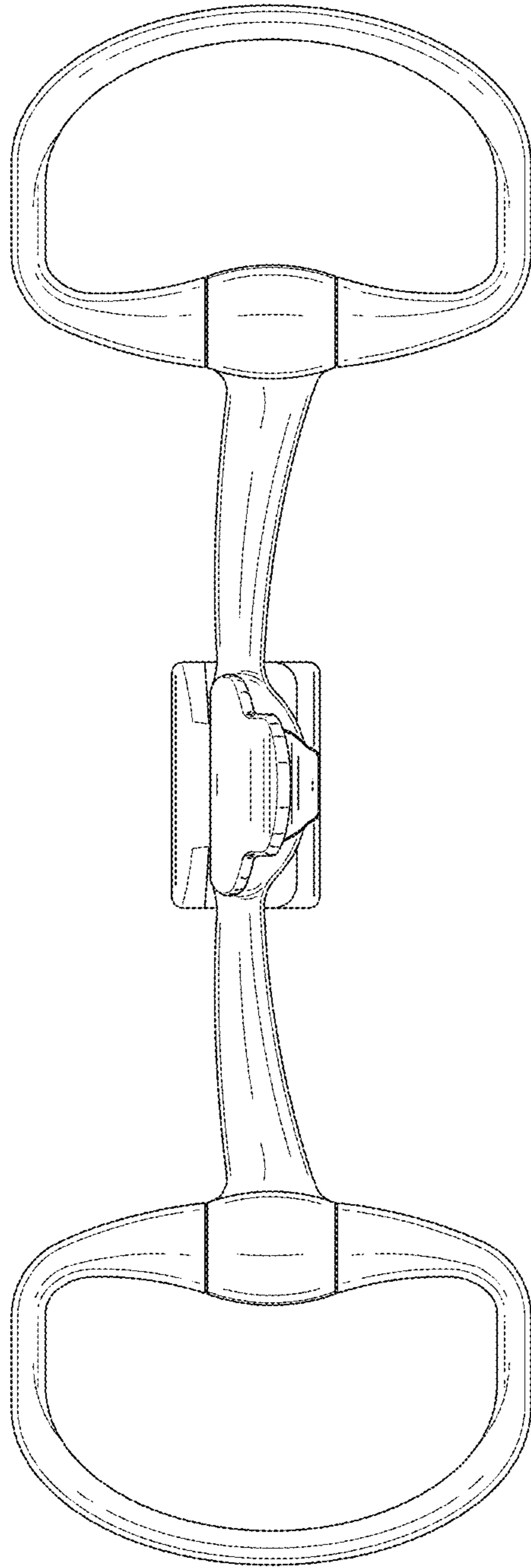


FIG. 5

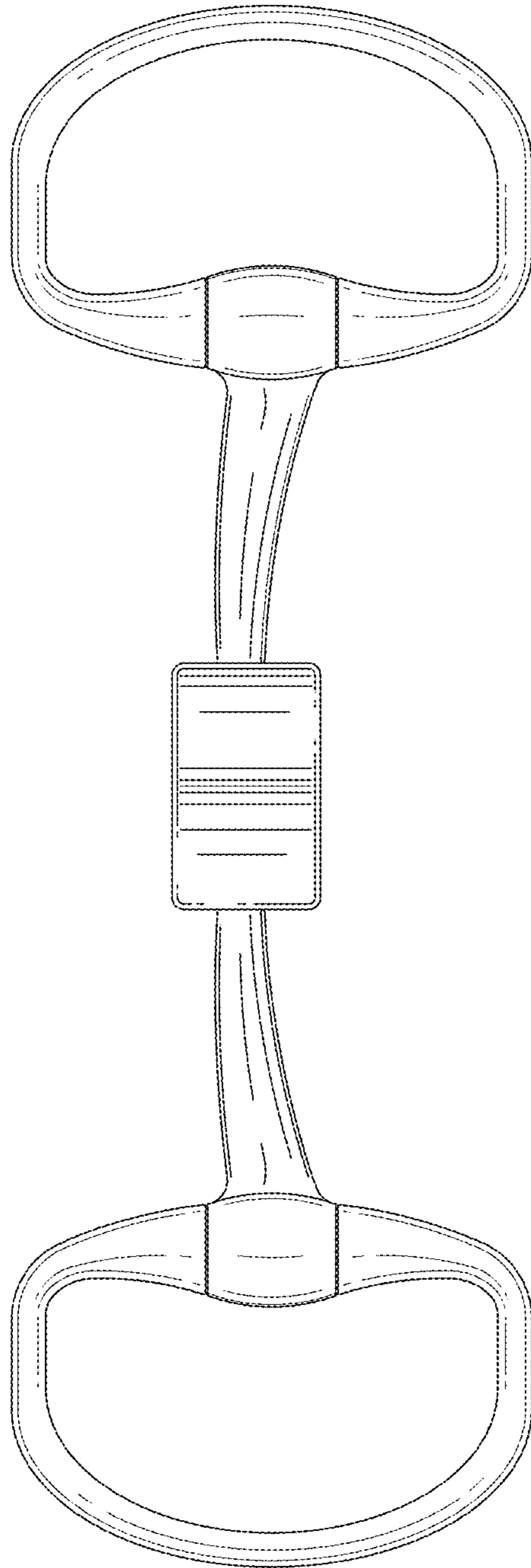


FIG. 6