



US00D814123S

(12) **United States Design Patent**
Chang et al.

(10) **Patent No.:** **US D814,123 S**
(45) **Date of Patent:** **** Mar. 27, 2018**

(54) **INVERSE ANIMAL FEEDER**

(71) Applicant: **CIXI HAOSHENG ELECTRONICS & HARDWARE CO., LTD.**, Cixi, Zhejiang (CN)

(72) Inventors: **Shih-Ming Chang**, Cixi (CN); **Jin-Jun Cao**, Ningbo (CN)

(73) Assignee: **CIXI HAOSHENG ELECTRONICS & HARDWARE CO., LTD.**, Cixi, Zhejiang (CN)

(**) Term: **15 Years**

(21) Appl. No.: **29/596,077**

(22) Filed: **Mar. 6, 2017**

(51) **LOC (11) Cl.** **30-03**

(52) **U.S. Cl.**

USPC **D30/121**

(58) **Field of Classification Search**

USPC D30/133, 121, 122, 124, 127, 128, 132, D30/131, 114, 119; 119/51.01, 61, 51.04, 119/53, 57.91, 54, 53.5, 52.4, 51.11, 63, 119/61.2, 52.1, 57.5, 57.6, 51.13, 62, 75, 119/500, 501, 521, 57.92, 59, 51.12, 57.1, 119/56.1, 57; 239/7, 687, 379, 397.5, 239/681-684, 688, 689; 222/199, 181.1, 222/181.2, 185.1, 557, 156, 485, 486, 222/548, 555; 220/200, 227, 247, 262; 221/174, 185.1, 289, 295, 296, 559; 454/35; 209/270, 283, 244; 52/194, 192; 49/279, 344, 357; D34/28; D15/13, 21, D15/28; 414/301, 302, 303, 304, 414/306-310, 319-322

CPC A01K 5/0225; A01K 5/00; A01K 5/02; A01K 5/01; A01K 5/0291; A01K 5/0266; A01K 5/0275; A01K 5/0283; A01K 39/00; A01K 39/01; A01K 39/0113; A01K 39/012; A01K 39/0125; A01K 39/014; A01K 61/80; B28C 7/0046; B65D 90/14; B65D 88/52; B65D 88/30;

A01C 17/005; A01C 17/006; A01C 17/00; A01C 17/001; A01C 17/003; A01C 17/008; A01C 15/00; A01C 15/003; A01C 15/005; A01C 15/007; A01C 7/06; A01C 7/166; A01C 7/16; A01C 7/163; A01C 7/18; A01C 7/20; A01C 19/00; A01C 19/02; Y10T 74/19721; Y10T 74/2063; B05B 7/14; B05B 7/1404; B05B 7/1422; B65G 31/00; B65G 69/0425; B65G 69/0433; B65G 69/0458; B65G 69/0466; B65G 69/0483; B65G 69/0491; E01C
(Continued)

(56) **References Cited**

U.S. PATENT DOCUMENTS

423,997 A * 3/1890 Henrichsen A01C 17/00
239/660
4,342,345 A * 8/1982 Nadin B65G 69/0458
141/392
D282,931 S * 3/1986 Doering D15/13
(Continued)

Primary Examiner — Susan Moon Lee

(74) *Attorney, Agent, or Firm* — Leong C. Lei

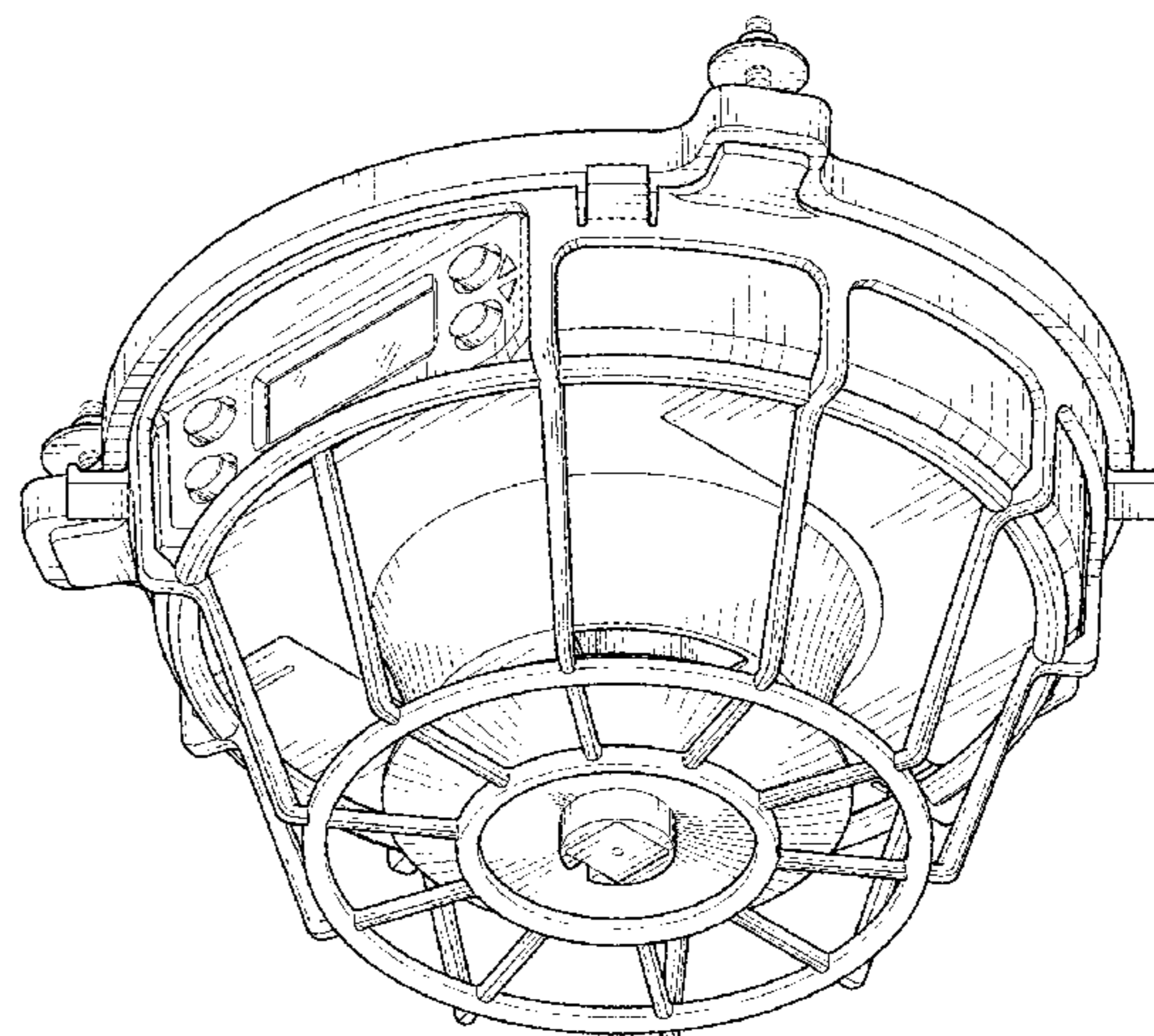
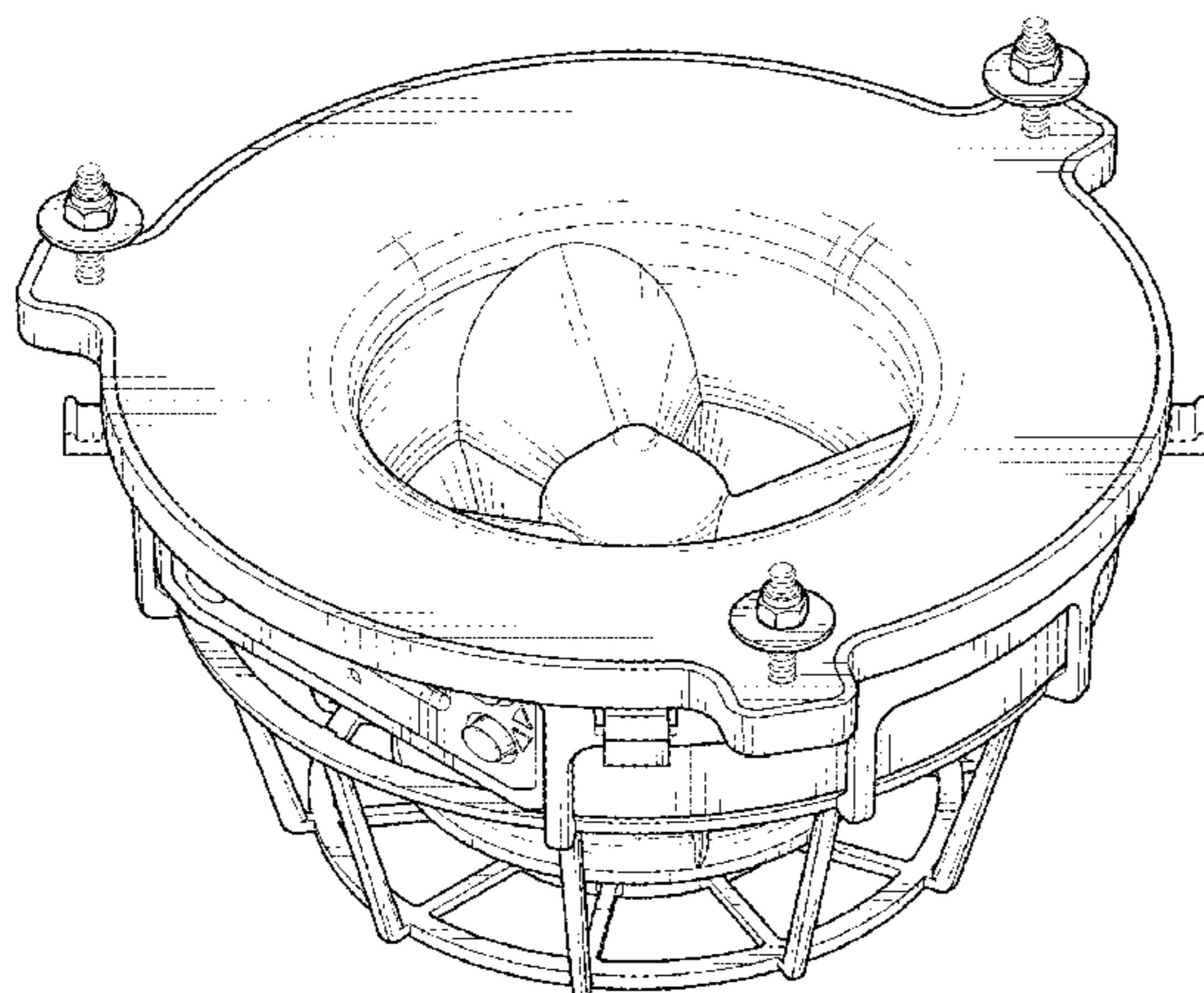
(57) **CLAIM**

The ornamental design for an inverse animal feeder, as shown and described.

DESCRIPTION

FIG. 1 is a front perspective view of an inverse animal feeder showing my new design;
FIG. 2 is a front elevational view thereof;
FIG. 3 is a rear elevational view thereof;
FIG. 4 is a left elevational view thereof;
FIG. 5 is a right elevational view thereof;
FIG. 6 is a top plan view thereof;
FIG. 7 is a bottom plan view thereof;
FIG. 8 is the bottom perspective view thereof; and,
FIG. 9 is the top perspective view thereof.

1 Claim, 9 Drawing Sheets



(58) **Field of Classification Search**

CPC 19/20; E01C 19/203; E01C 19/2035; E01C
19/204

See application file for complete search history.

(56) **References Cited**

U.S. PATENT DOCUMENTS

D309,963 S * 8/1990 Cureton D13/112
5,372,467 A * 12/1994 Harris B65G 69/0458
239/681
6,375,035 B1 * 4/2002 Munroe B65D 90/56
222/1
7,717,063 B2 * 5/2010 Chang A01K 5/0225
119/51.13
7,878,428 B2 * 2/2011 Pinon B01J 8/002
239/684
D673,586 S * 1/2013 Truan D15/13
2004/0007189 A1 * 1/2004 Betty A01K 5/0114
119/57.92
2010/0072308 A1 * 3/2010 Hemann B65G 69/0458
239/687
2013/0047927 A1 * 2/2013 Chang A01K 5/0225
119/57.92
2015/0327510 A1 * 11/2015 Romero A01K 5/0225
119/51.11
2015/0336118 A1 * 11/2015 Myers E01C 19/203
239/684
2015/0359191 A1 * 12/2015 Eakin A01K 5/0225
119/52.1
2017/0105388 A1 * 4/2017 Pfeiff A01K 5/0225
2017/0208781 A1 * 7/2017 Bogart A01K 61/80

* cited by examiner

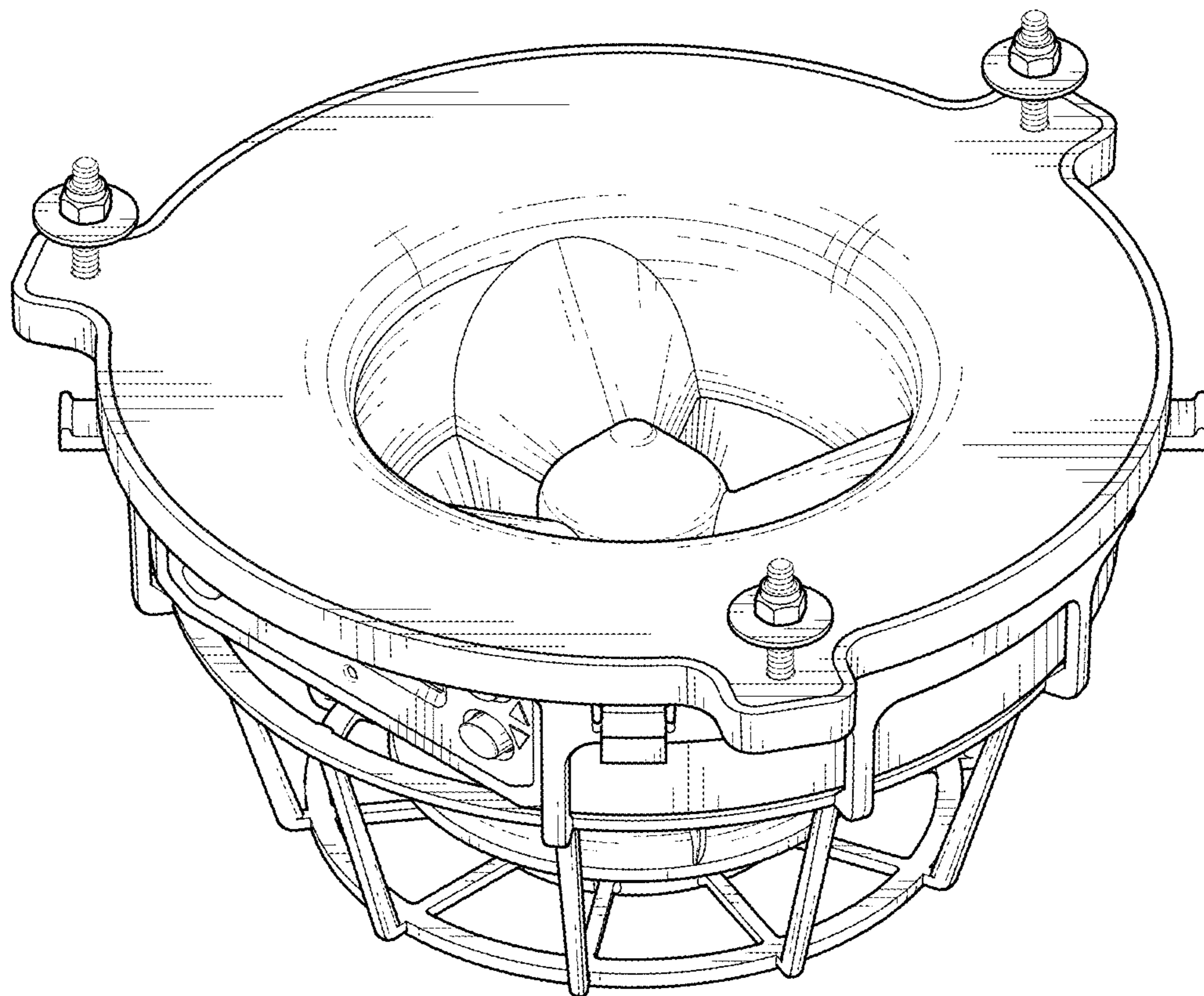


FIG. 1

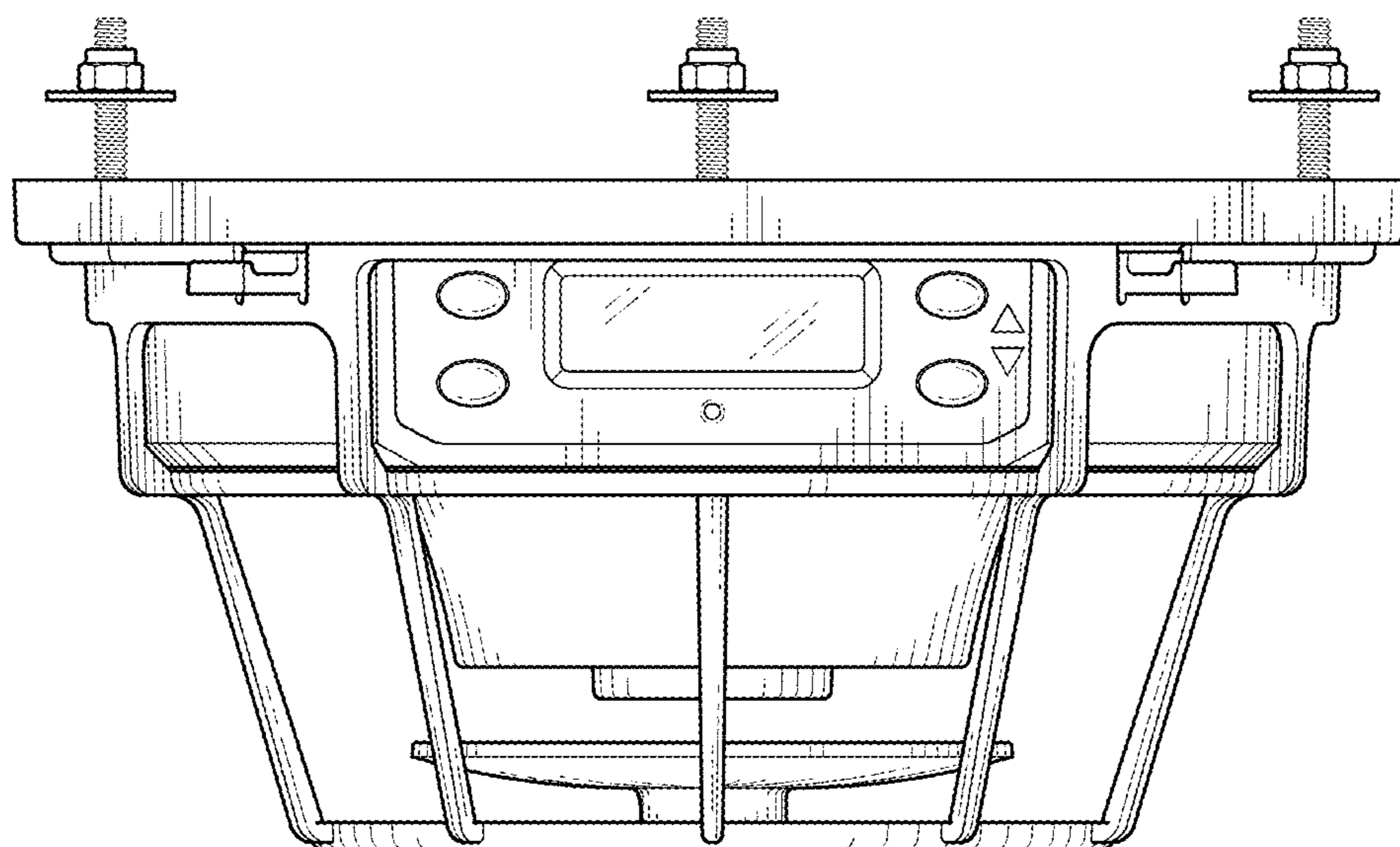


FIG. 2

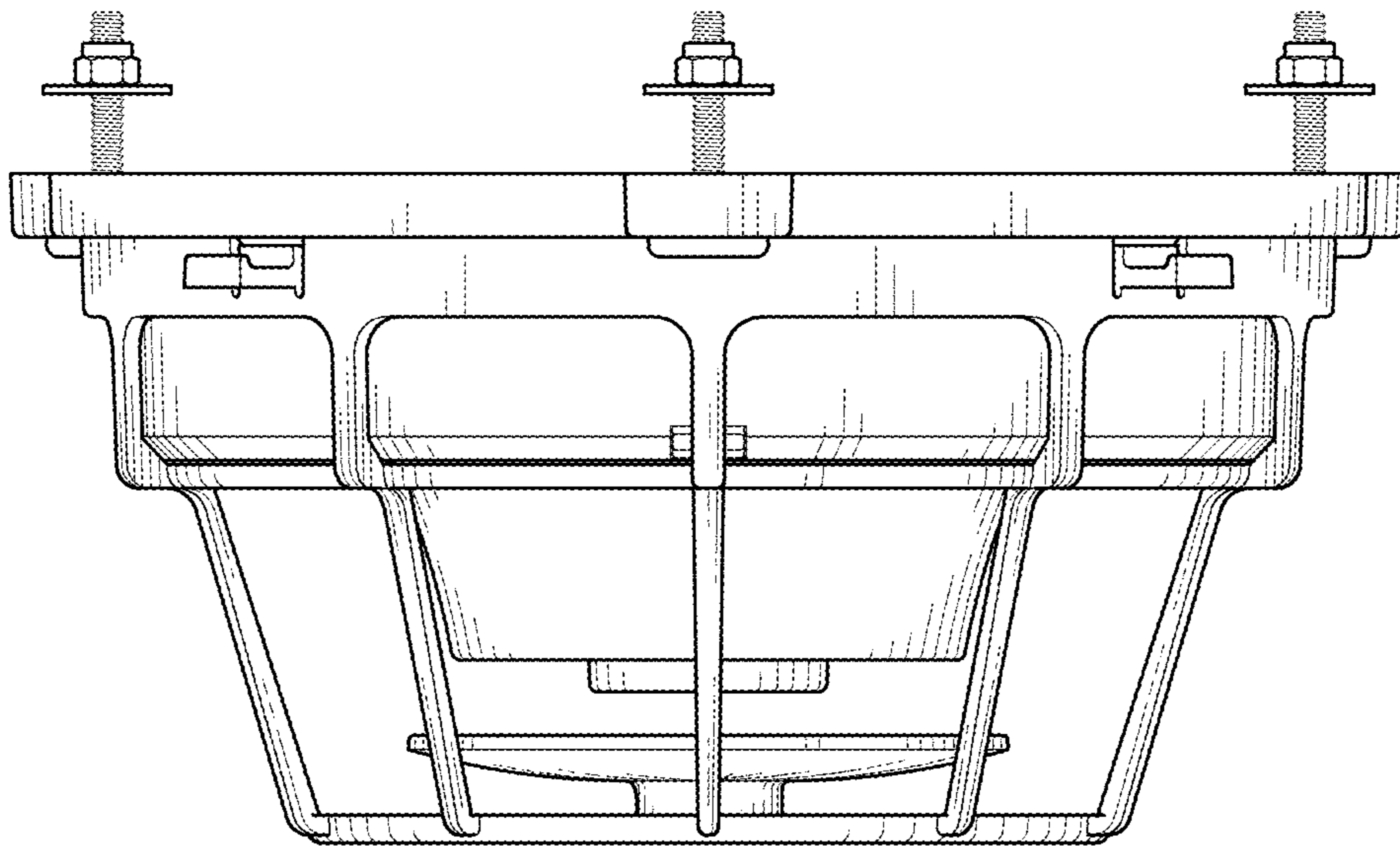


FIG. 3

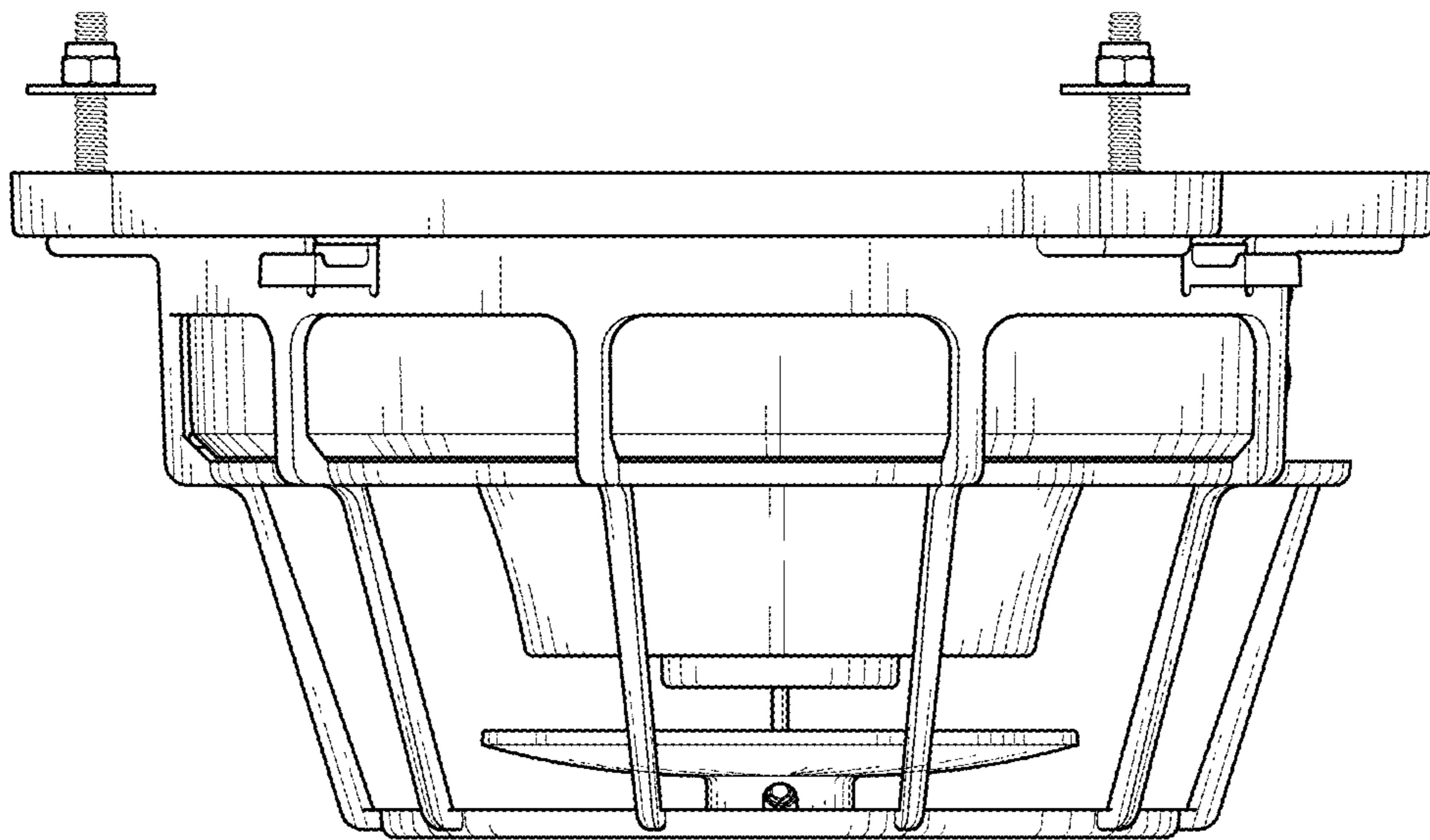


FIG. 4

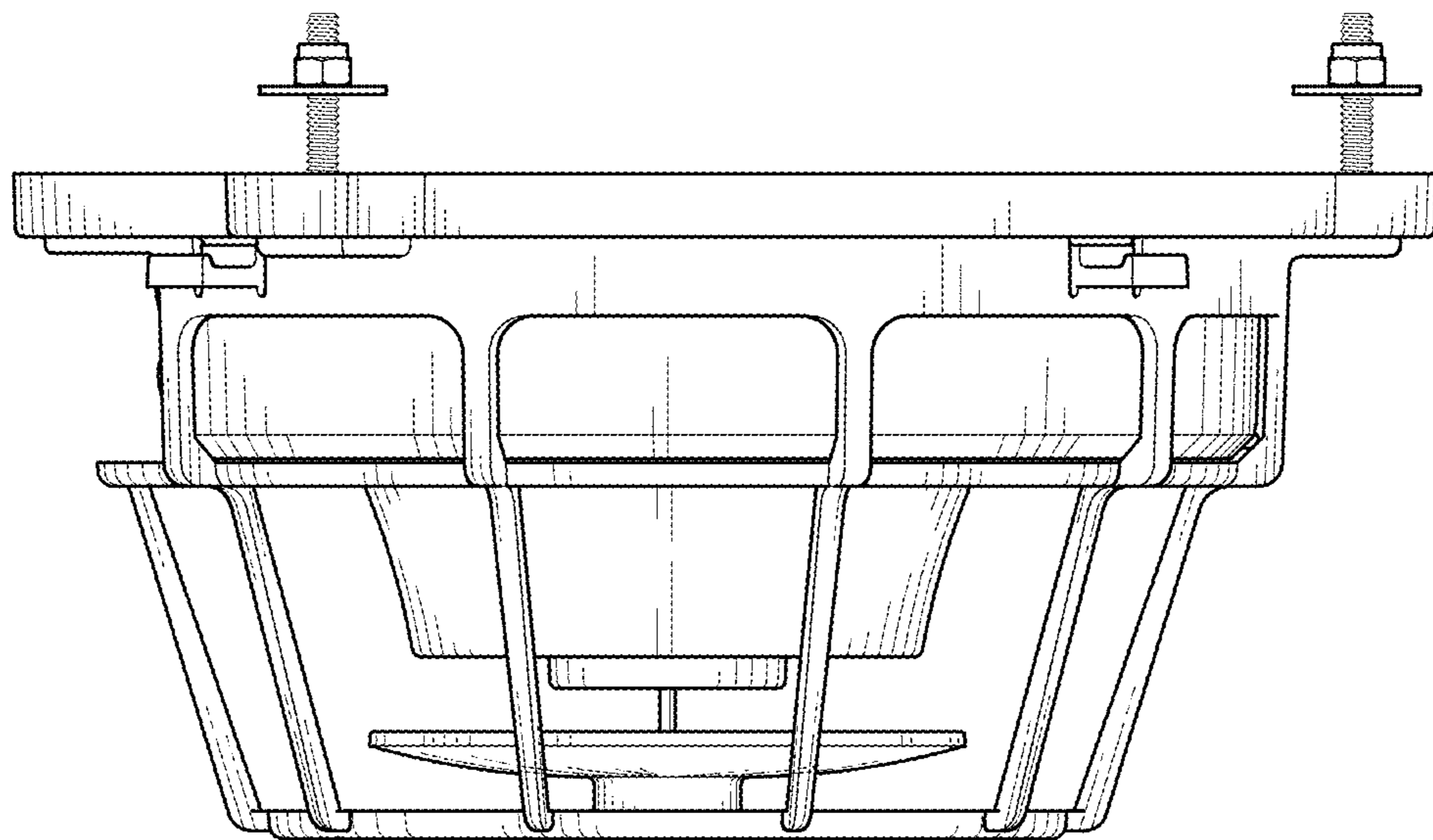


FIG. 5

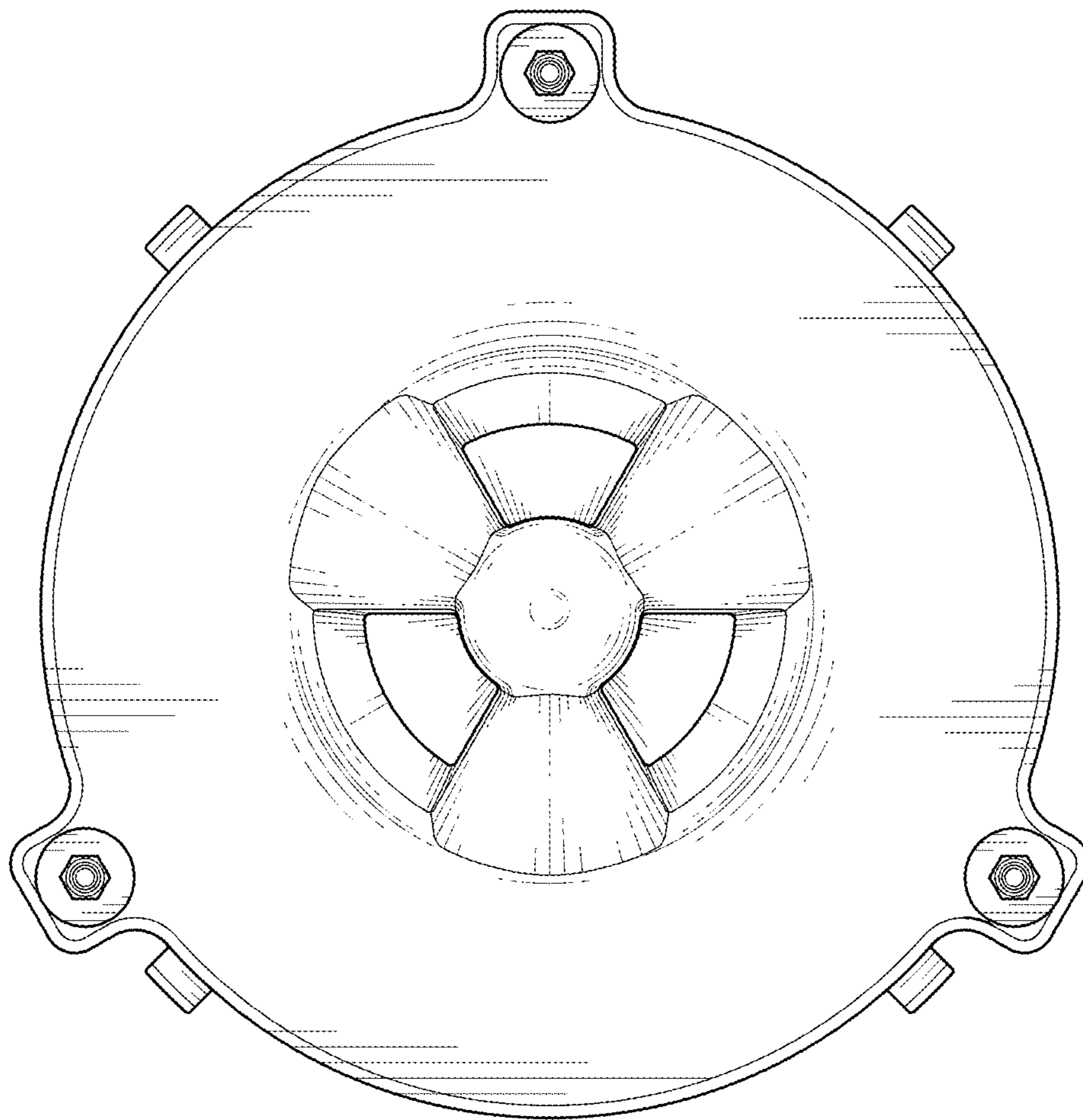


FIG. 6

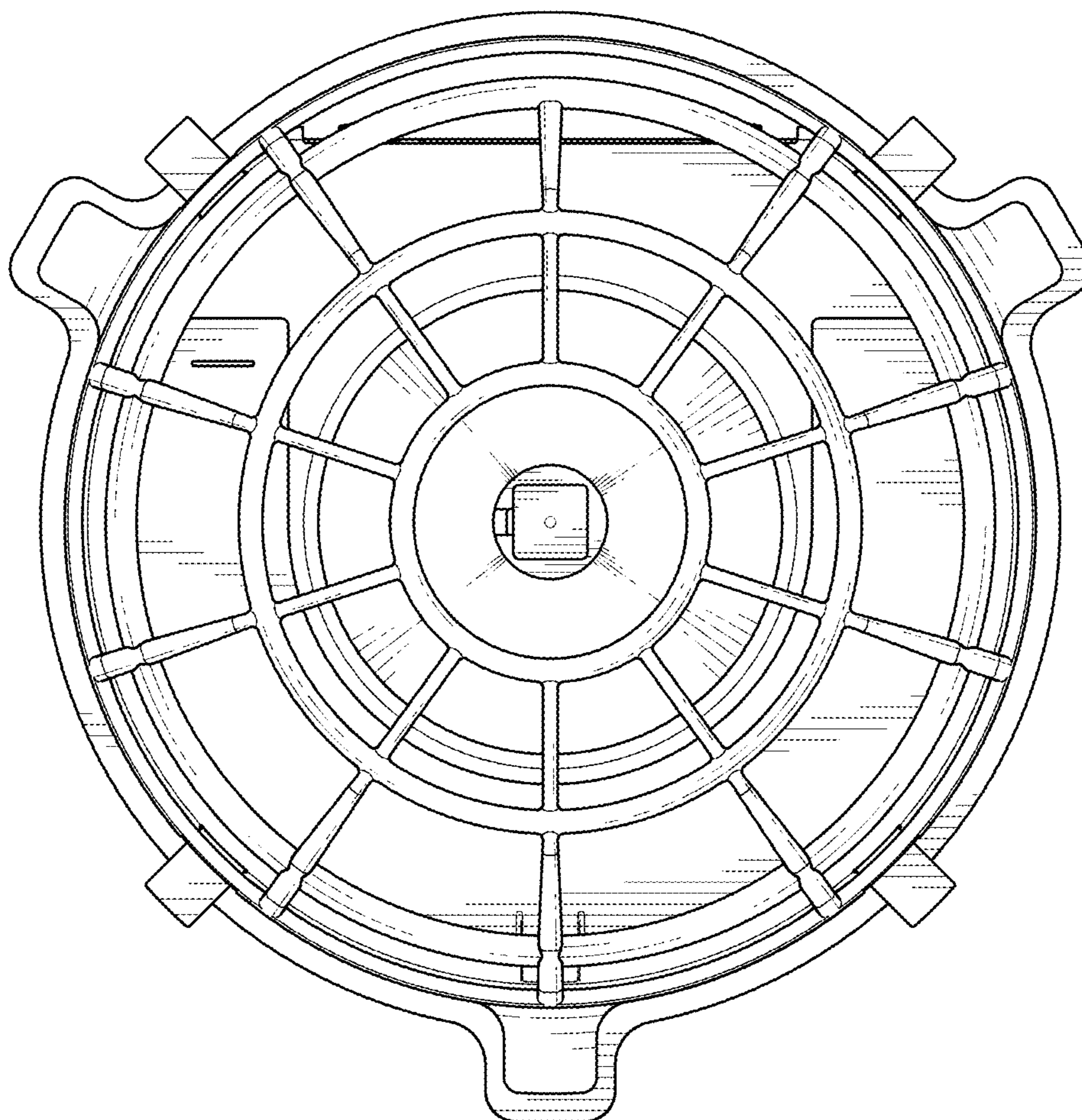


FIG. 7

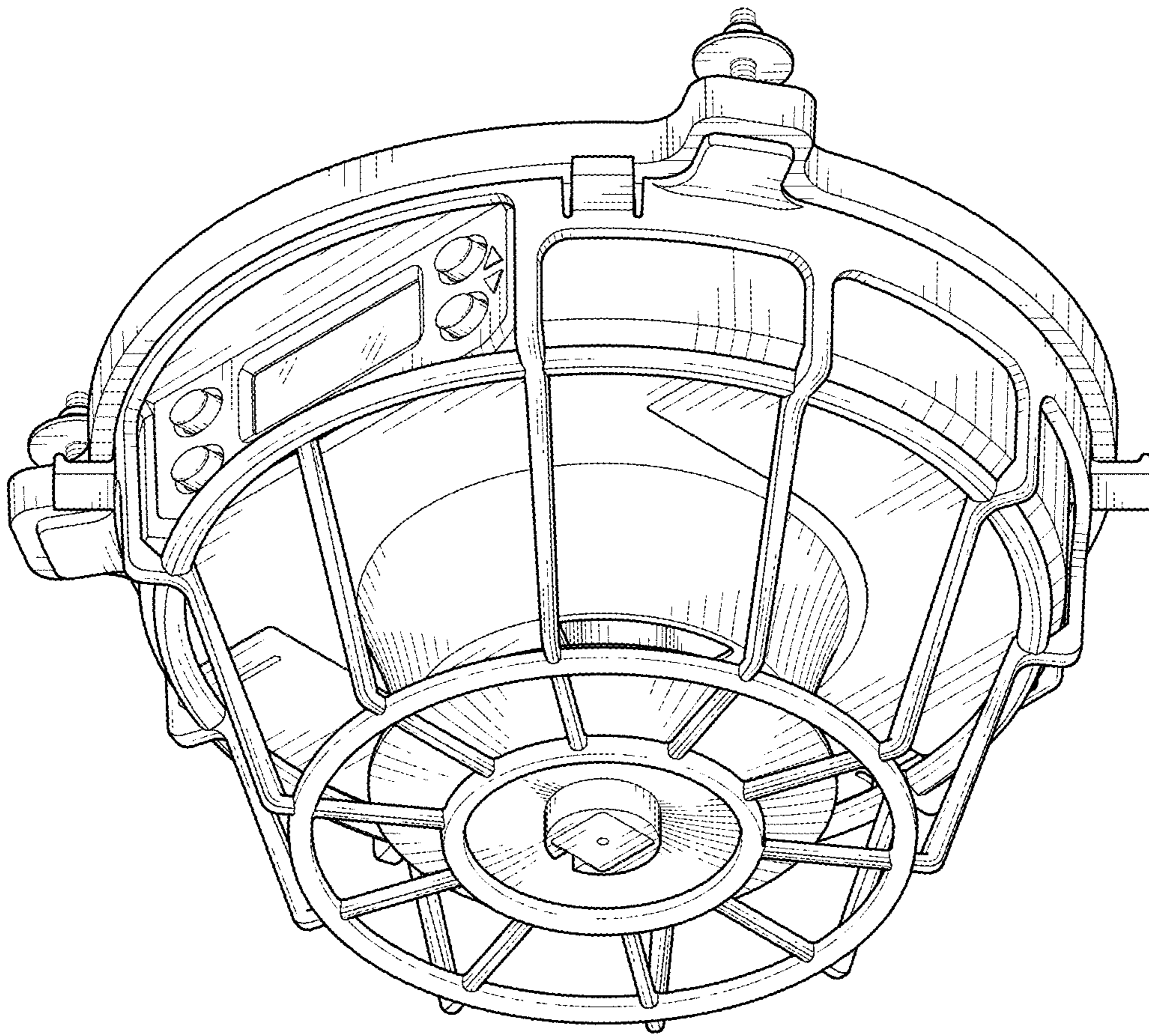


FIG. 8

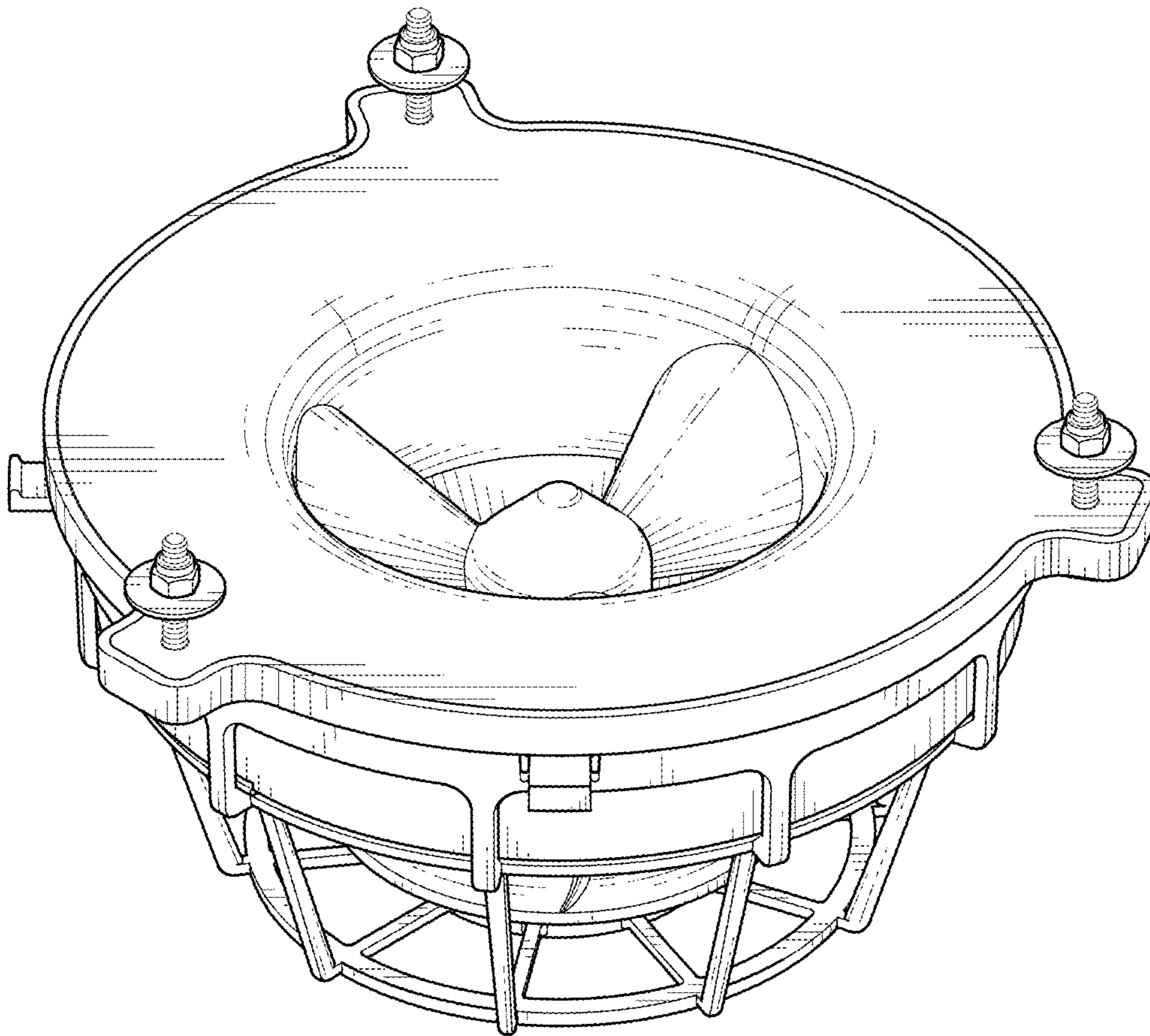


FIG. 9