



US00D814122S

(12) **United States Design Patent**
Chan et al.

(10) **Patent No.:** **US D814,122 S**
(45) **Date of Patent:** **** Mar. 27, 2018**

- (54) **FOLD-OUT PET BED**
- (71) Applicant: **Pinta International, Inc.**, Hayward, CA (US)
- (72) Inventors: **Chiu Kawan Chan**, Hong Kong (HK); **Wenchi Lin**, Foster City, CA (US)
- (73) Assignee: **PINTA INTERNATIONAL, INC.**, Hayward, CA (US)
- (**) Term: **15 Years**
- (21) Appl. No.: **29/557,848**
- (22) Filed: **Mar. 12, 2016**
- (51) **LOC (11) Cl.** **30-06**
- (52) **U.S. Cl.**
USPC **D30/118; D6/384**
- (58) **Field of Classification Search**
USPC **D30/118; D6/339, 361, 385-387, D6/595-597, 618.1, 675, 691, 698, 718.1, D6/382-384, 388, 390, 392-394, 598, D6/604, 663-664, 668.1; 119/28.5; D21/520**
CPC . **A01K 1/03; A01K 1/05; A01K 1/035; A01K 1/035; A01K 29/00; A47C 17/56**
See application file for complete search history.

- 6,425,151 B2 * 7/2002 Barnett A47C 19/122 5/138
- 6,851,139 B2 * 2/2005 Arason A47C 19/122 5/152
- 7,574,758 B2 * 8/2009 Arason A47C 17/58 5/136
- 8,662,014 B1 * 3/2014 Harrell A01K 1/0353 119/28.5

(Continued)

Primary Examiner — Cathy Anne MacCormac
(74) *Attorney, Agent, or Firm* — U.S. Fairsky LLP; Yue Xu

(57) **CLAIM**

The ornamental design for a fold-out pet bed, as shown and described.

DESCRIPTION

FIG. 1 is a front perspective view of a fold-out pet bed in an open position, showing our new design;
 FIG. 2 is the front elevation view of the fold-out pet bed in an open position;
 FIG. 3 is the left side elevation view of the fold-out pet bed in an open position, the right side elevation view being a mirror image thereof;
 FIG. 4 is the top plan view of the fold-out pet bed in an open position;
 FIG. 5 is the front perspective view of the fold-out pet bed in a closed position;
 FIG. 6 is the front elevation view of the fold-out pet bed in a closed position;
 FIG. 7 is the left side elevation view of the fold-out pet bed in a closed position, the right side elevation view being a mirror image thereof; and,
 FIG. 8 is the top plan view of the fold-out pet bed in a closed position.

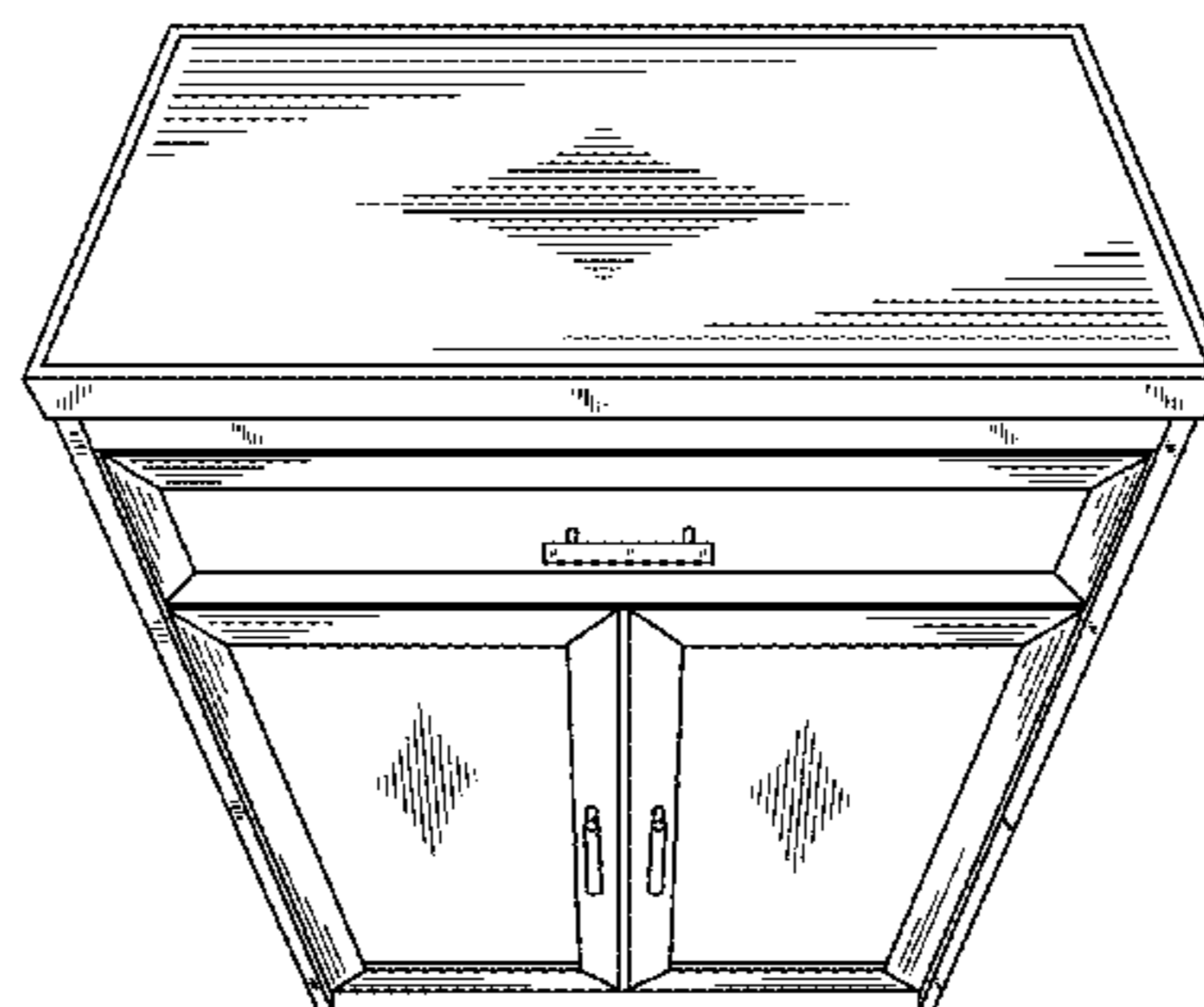
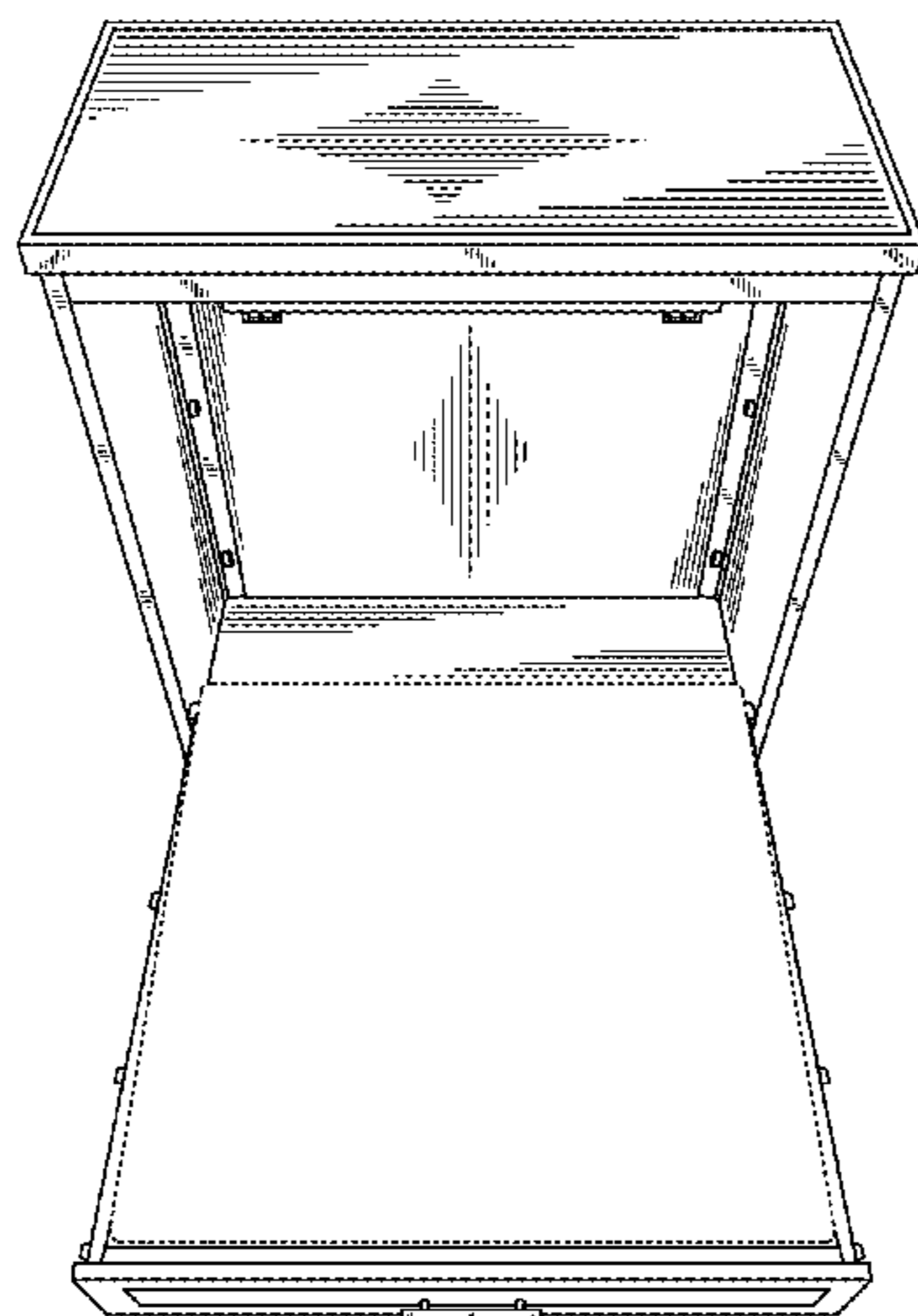
The broken lines depict environmental subject matter and form no part of the claimed design. The back and bottom of the fold-out pet bed are unornamented and not being claimed.

(56) **References Cited**

U.S. PATENT DOCUMENTS

- D74,494 S * 2/1928 Sanford D6/588
- 2,544,762 A * 3/1951 Lochridge A47C 17/58 312/314
- 3,852,837 A * 12/1974 Eakins A47C 17/58 5/136
- 3,858,253 A * 1/1975 Lauzon A47C 17/62 312/279
- D239,805 S * 5/1976 Knapp D6/675
- 4,793,011 A * 12/1988 Eve A47C 17/58 5/136
- D443,997 S * 6/2001 Stout D6/384

1 Claim, 8 Drawing Sheets



(56)

References Cited

U.S. PATENT DOCUMENTS

D712,676 S *	9/2014	Flora	D6/384
D721,207 S *	1/2015	Diskin	D30/118
D726,381 S *	4/2015	Richardson	D30/118
D742,136 S *	11/2015	Flora	D6/384
2006/0118051 A1 *	6/2006	Lima	A01K 1/0353 119/28.5

* cited by examiner

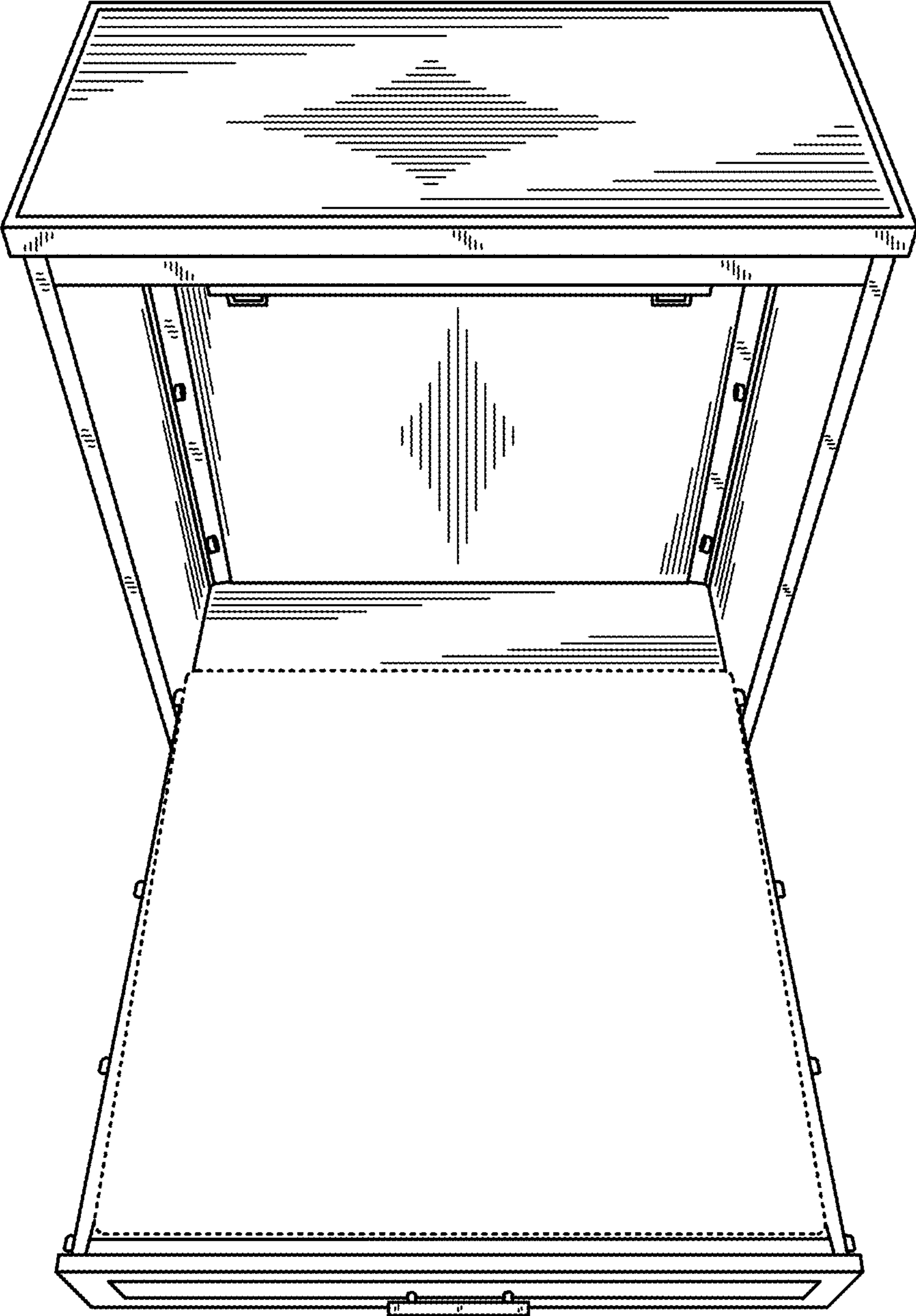


FIG. 1

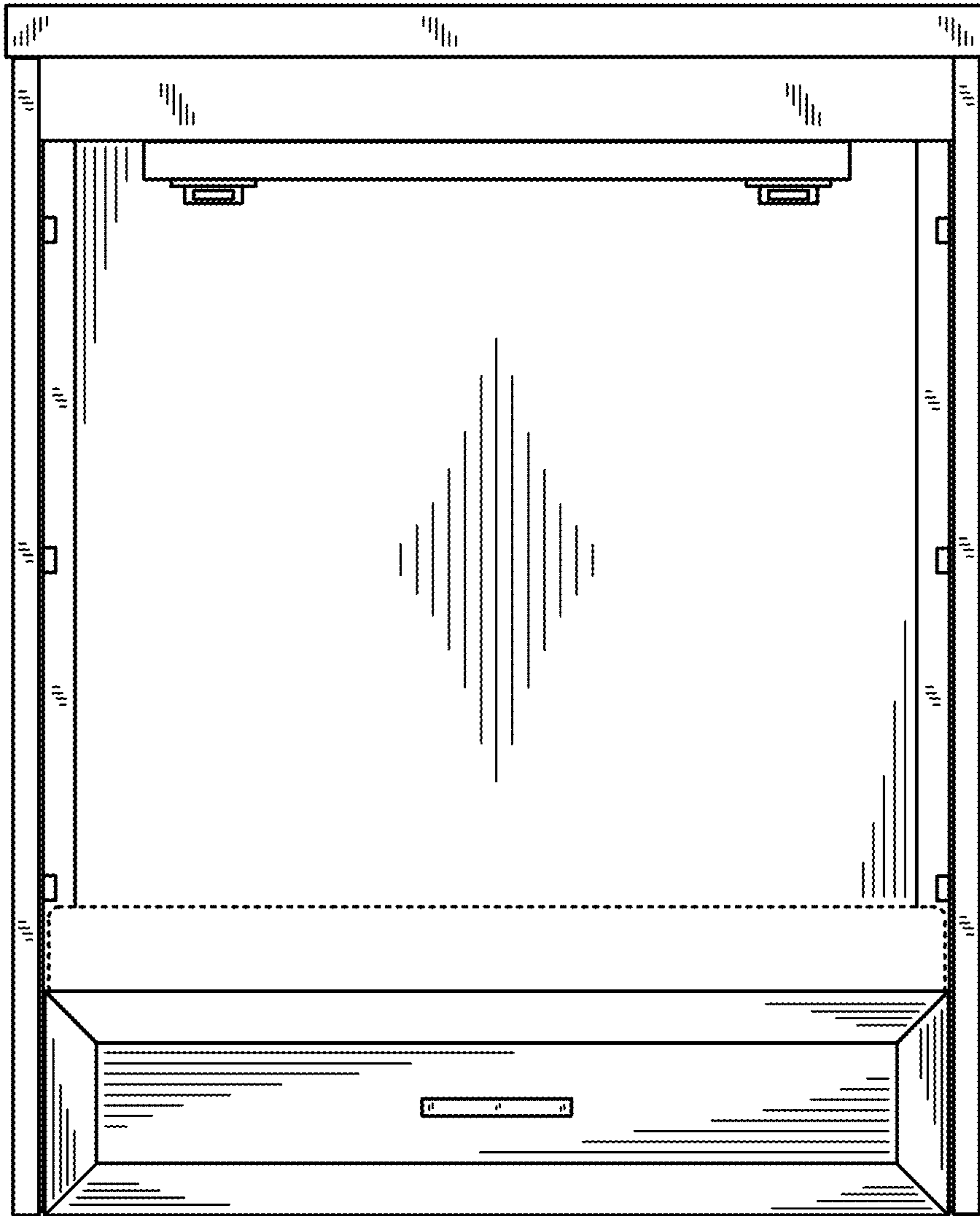


FIG. 2

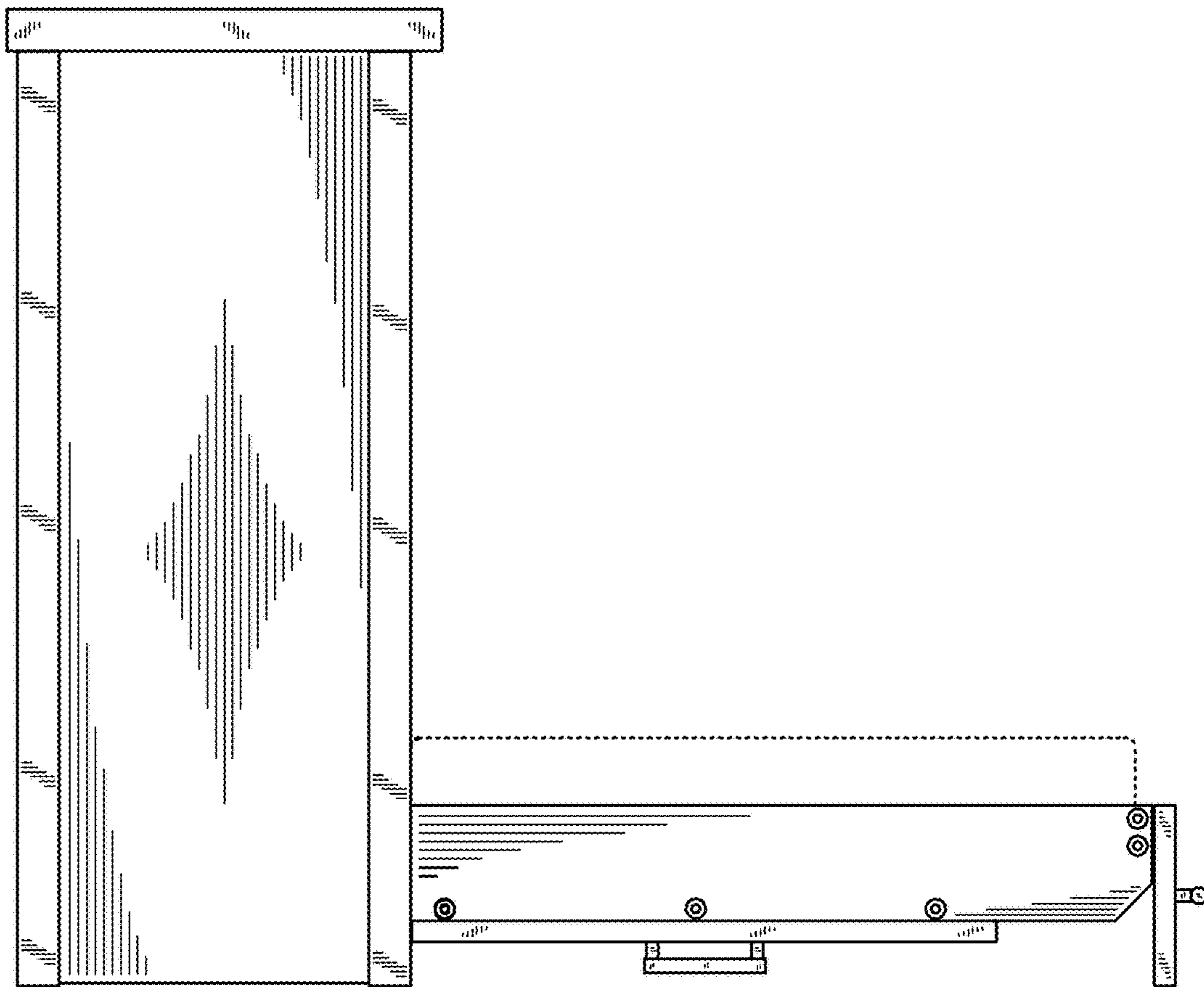


FIG. 3

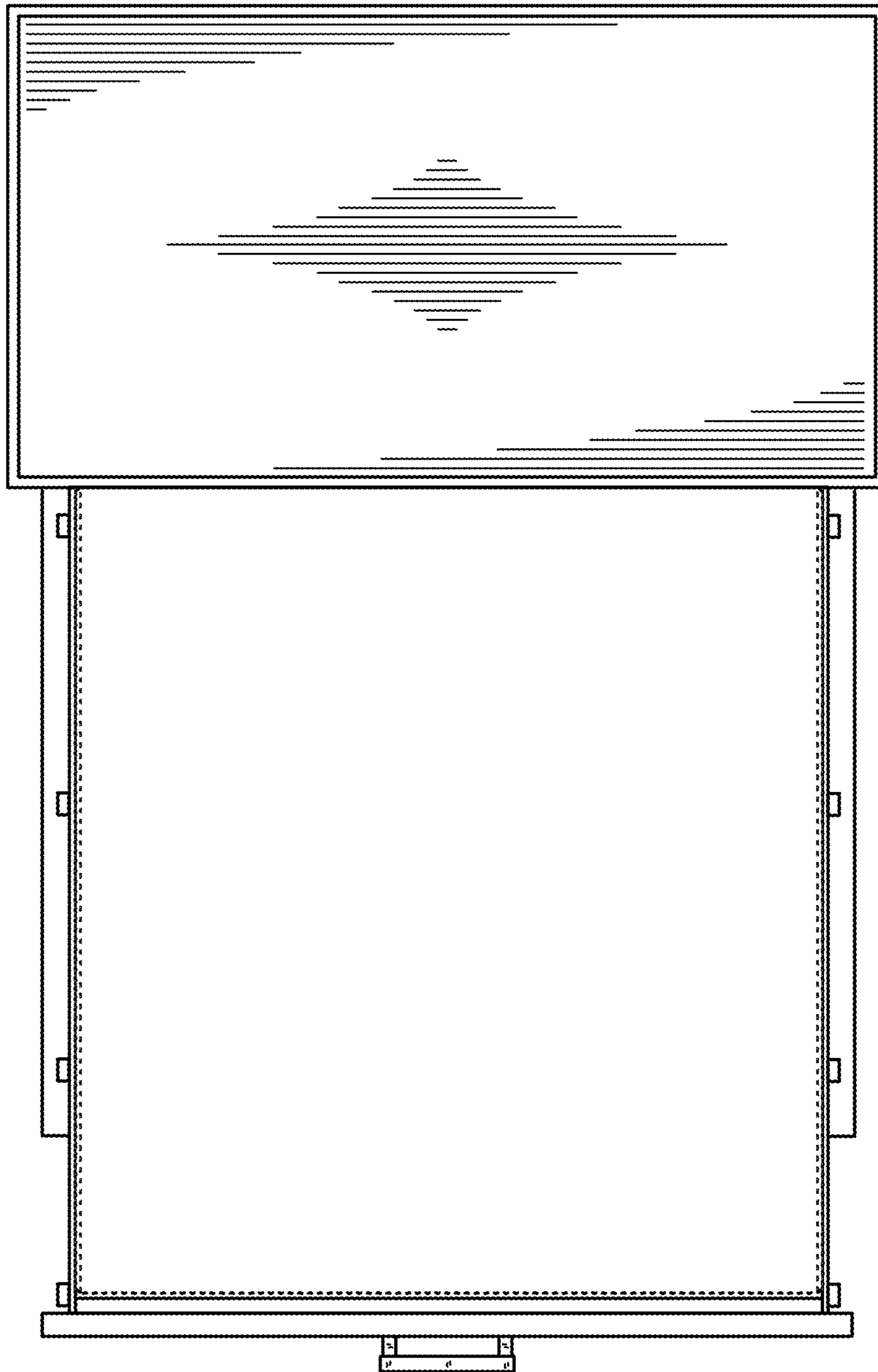


FIG. 4

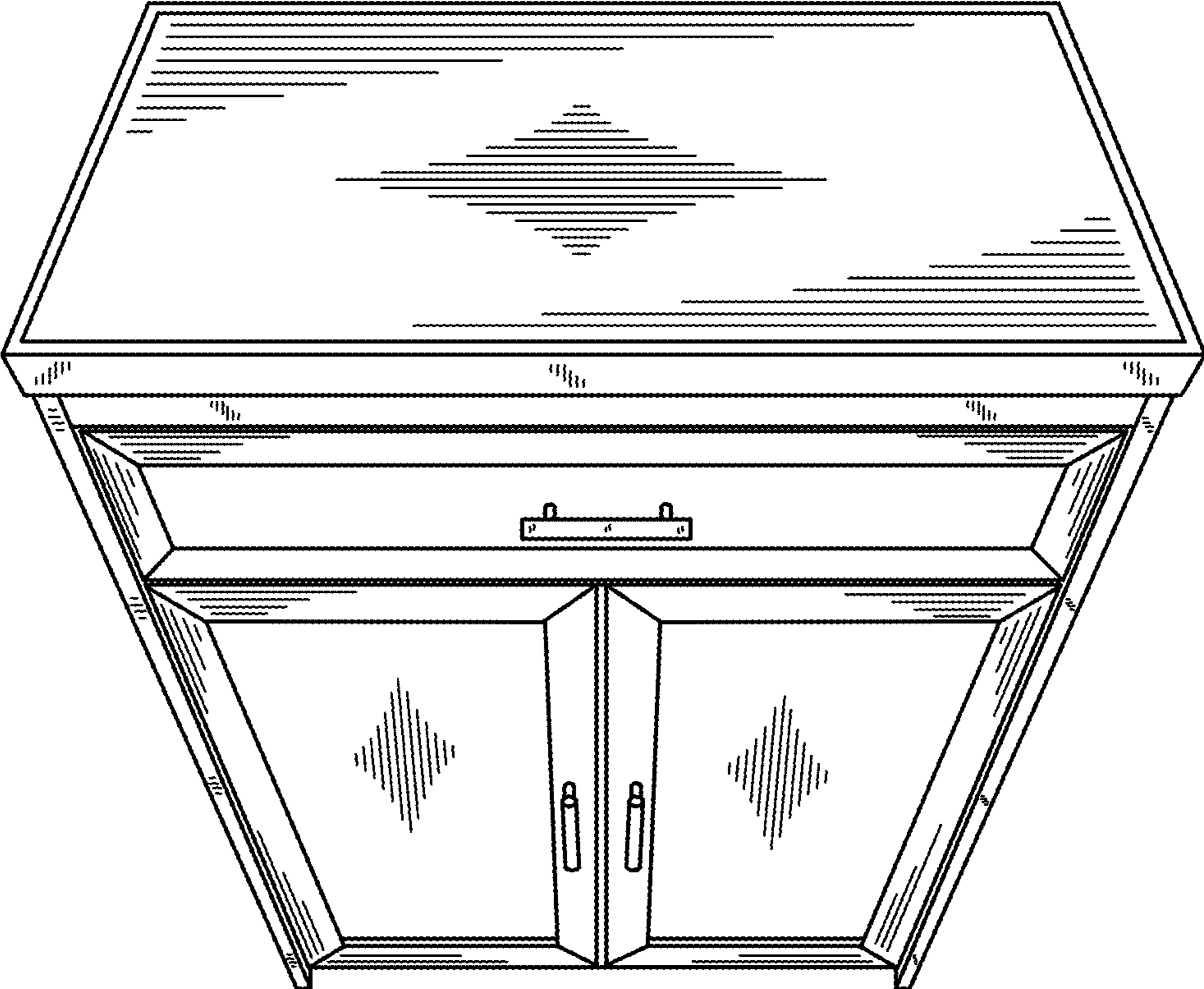


FIG. 5

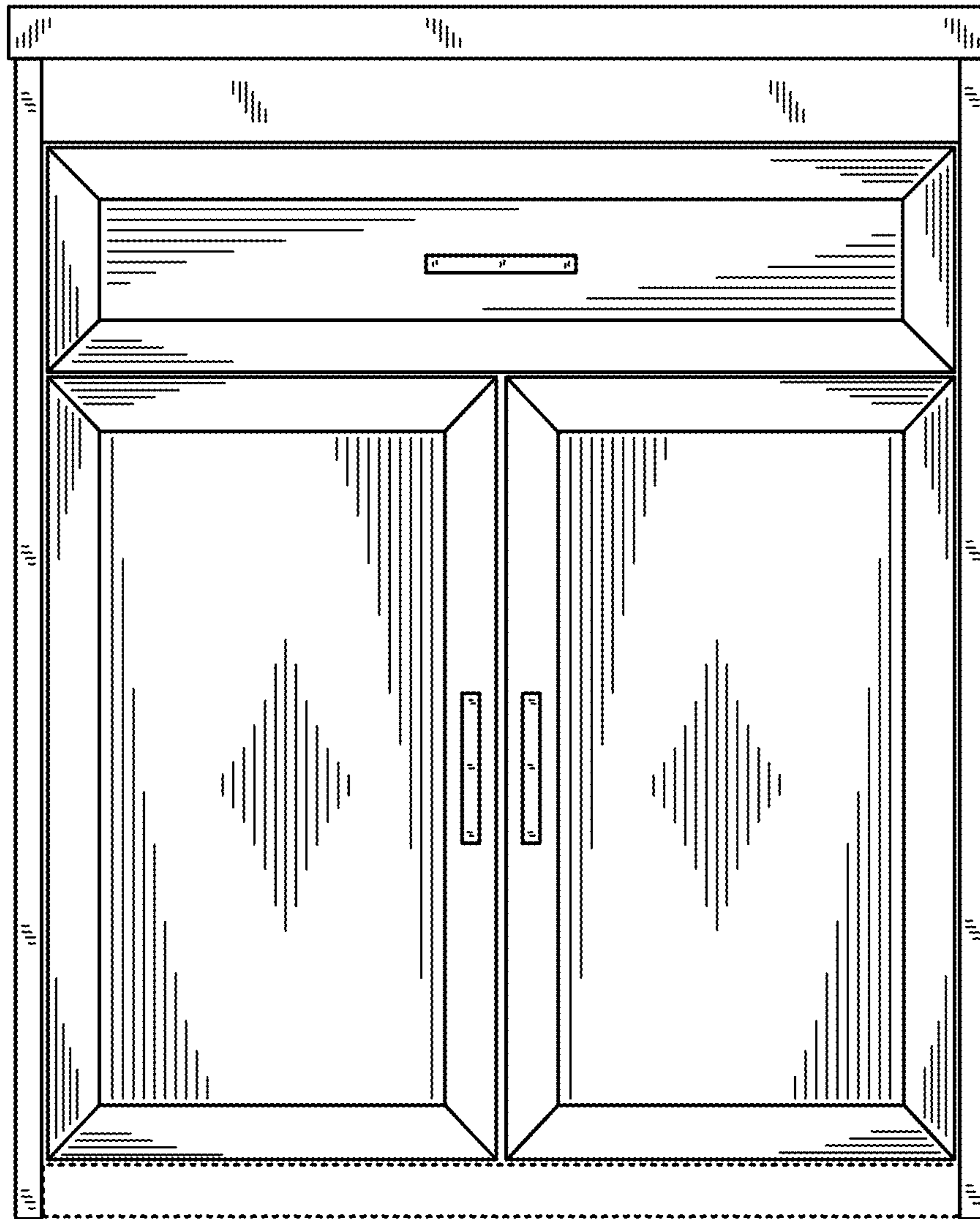


FIG. 6

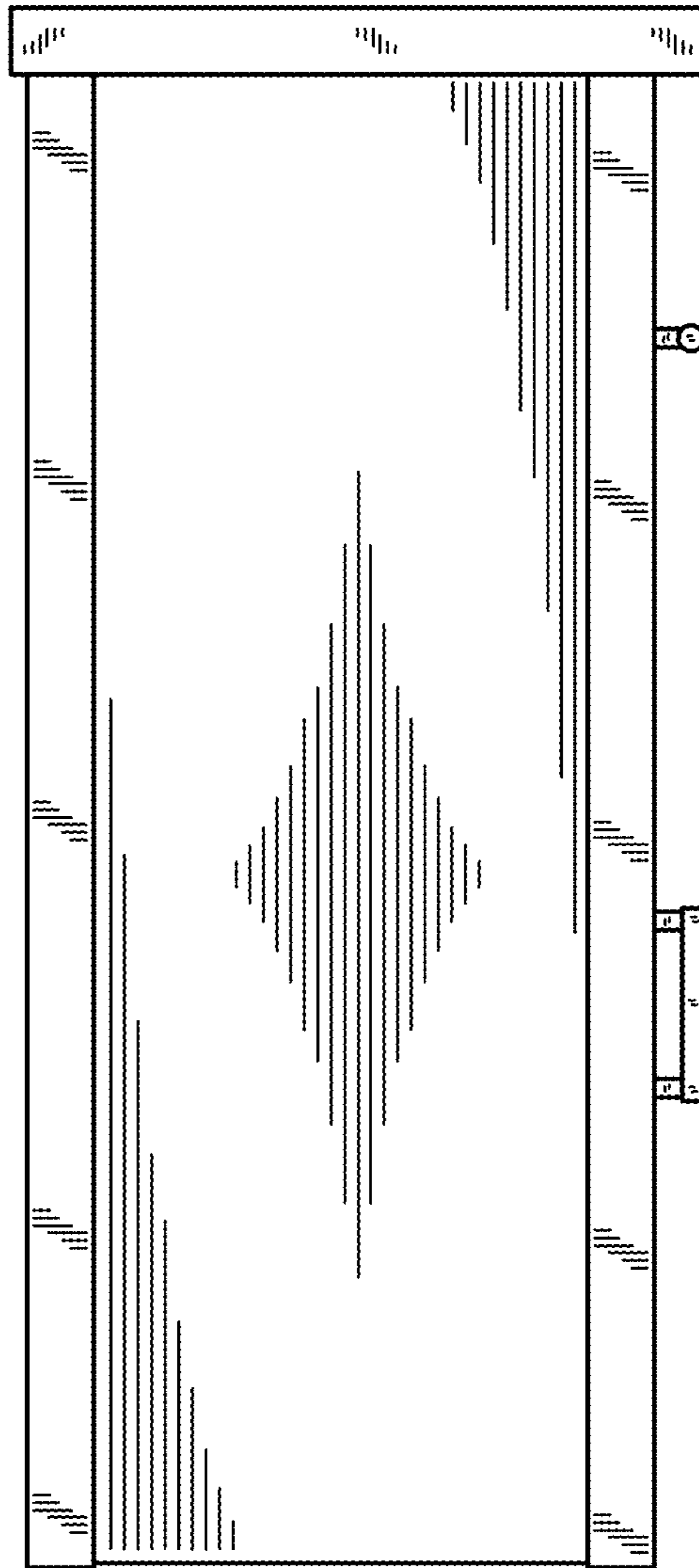


FIG. 7

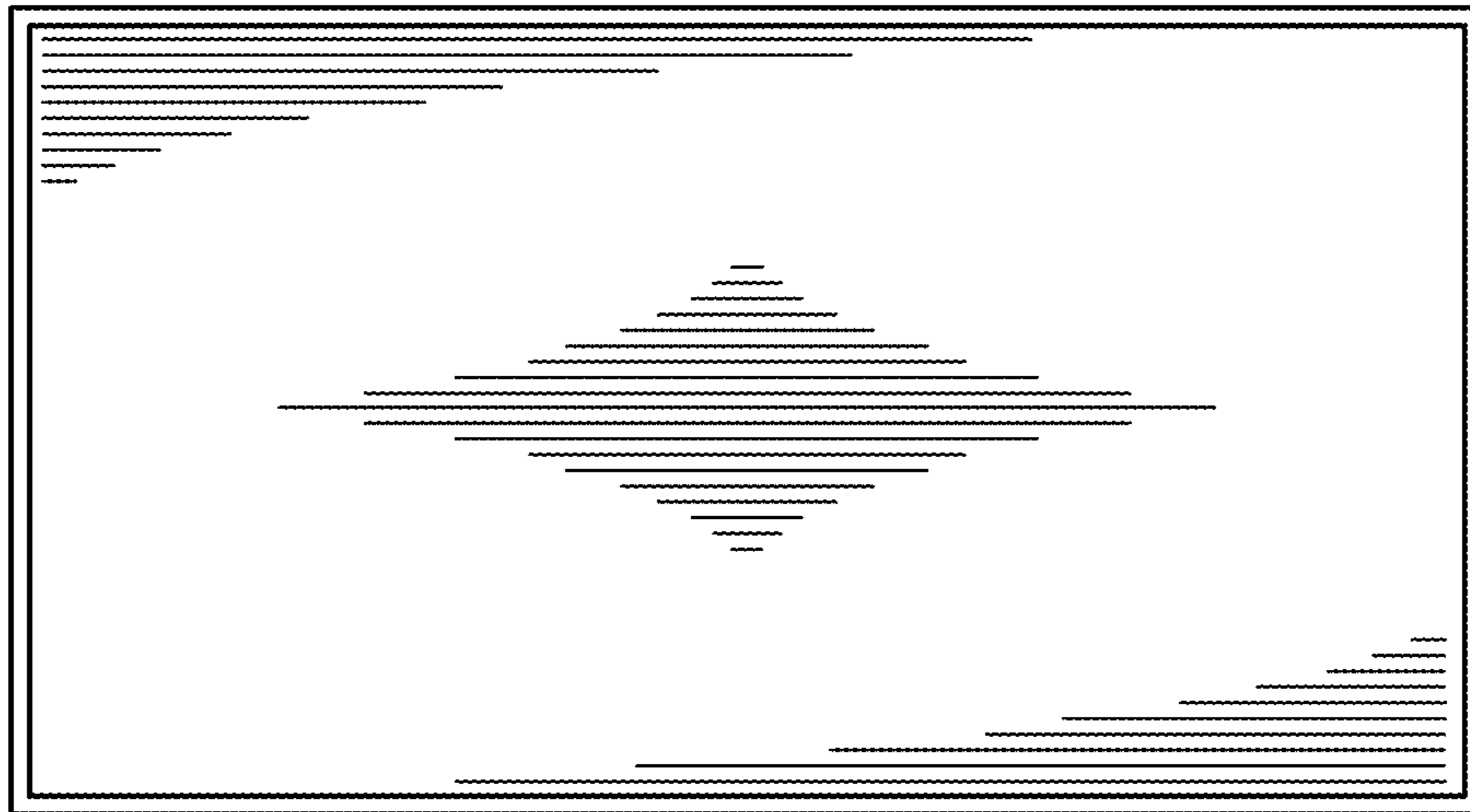


FIG. 8