



US00D814121S

(12) **United States Design Patent**  
**Kim**

(10) **Patent No.:** **US D814,121 S**  
(45) **Date of Patent:** **\*\* Mar. 27, 2018**

- (54) **PET HOUSE**
- (71) Applicant: **PETROM CO., LTD.**, Incheon (KR)
- (72) Inventor: **Gyeong Jong Kim**, Seoul (KR)
- (73) Assignee: **PETROM CO., LTD.**, Incheon (KR)
- (\*\*) Term: **15 Years**
- (21) Appl. No.: **29/584,149**
- (22) Filed: **Nov. 11, 2016**
- (30) **Foreign Application Priority Data**  
May 11, 2016 (KR) ..... 30-2016-0022096
- (51) **LOC (11) Cl.** ..... **30-02**
- (52) **U.S. Cl.**  
USPC ..... **D30/108**
- (58) **Field of Classification Search**  
USPC ..... D30/108, 111-112, 114-115  
CPC ... A01K 1/00; A01K 1/02; A01K 1/03; A01K  
3/00; A01K 3/06; A01K 3/07; A01K  
3/08; A01K 3/14; A01K 3/18; A01K  
5/00; A01K 29/00  
See application file for complete search history.

(56) **References Cited**

**U.S. PATENT DOCUMENTS**

- 3,885,523 A \* 5/1975 Coleman ..... A01K 1/0107  
119/165
- D255,946 S \* 7/1980 Galbreath ..... D30/108
- D320,479 S \* 10/1991 Cheval ..... D25/1
- D335,727 S \* 5/1993 Kahl ..... D30/108
- D353,030 S \* 11/1994 Fernandez ..... D30/108
- D356,253 S \* 3/1995 Bacchetti ..... D30/108
- D360,491 S \* 7/1995 Campbell ..... D30/108
- D367,732 S \* 3/1996 Murphy ..... D30/108
- 5,524,573 A \* 6/1996 Hart ..... A01K 1/0245  
119/489
- D461,024 S \* 7/2002 Newdoll ..... D30/108

- D468,872 S \* 1/2003 Woehler ..... D30/108
- D529,666 S \* 10/2006 Simpson ..... D30/108
- D555,292 S \* 11/2007 Harper ..... D30/108
- D566,343 S \* 4/2008 Osada ..... D30/108
- D575,907 S \* 8/2008 Roderman ..... D30/108
- D593,259 S \* 5/2009 VanderDussen ..... 449/26
- D611,202 S \* 3/2010 Jakubowski ..... D30/108
- D613,000 S \* 3/2010 Ward ..... D30/108
- D629,973 S \* 12/2010 Morton ..... D30/108
- D641,935 S \* 7/2011 Sullivan ..... D30/108
- D650,533 S \* 12/2011 Reick ..... D30/108
- D680,696 S \* 4/2013 Hammel ..... D30/108
- D685,139 S \* 6/2013 Park ..... D30/108
- D699,008 S \* 2/2014 Wang ..... D30/108
- D702,403 S \* 4/2014 Snow ..... D30/108
- D704,901 S \* 5/2014 Diskin ..... D30/108
- D705,995 S \* 5/2014 Veness ..... D30/112
- D706,492 S \* 6/2014 Bratton ..... D30/112
- D715,006 S \* 10/2014 Pomerantz ..... D30/112
- D723,225 S \* 2/2015 Lee ..... D30/108

(Continued)

*Primary Examiner* — Robin V Webster

*Assistant Examiner* — James Thorn, Sr.

(74) *Attorney, Agent, or Firm* — Novick, Kim & Lee,  
PLLC; Sang Ho Lee

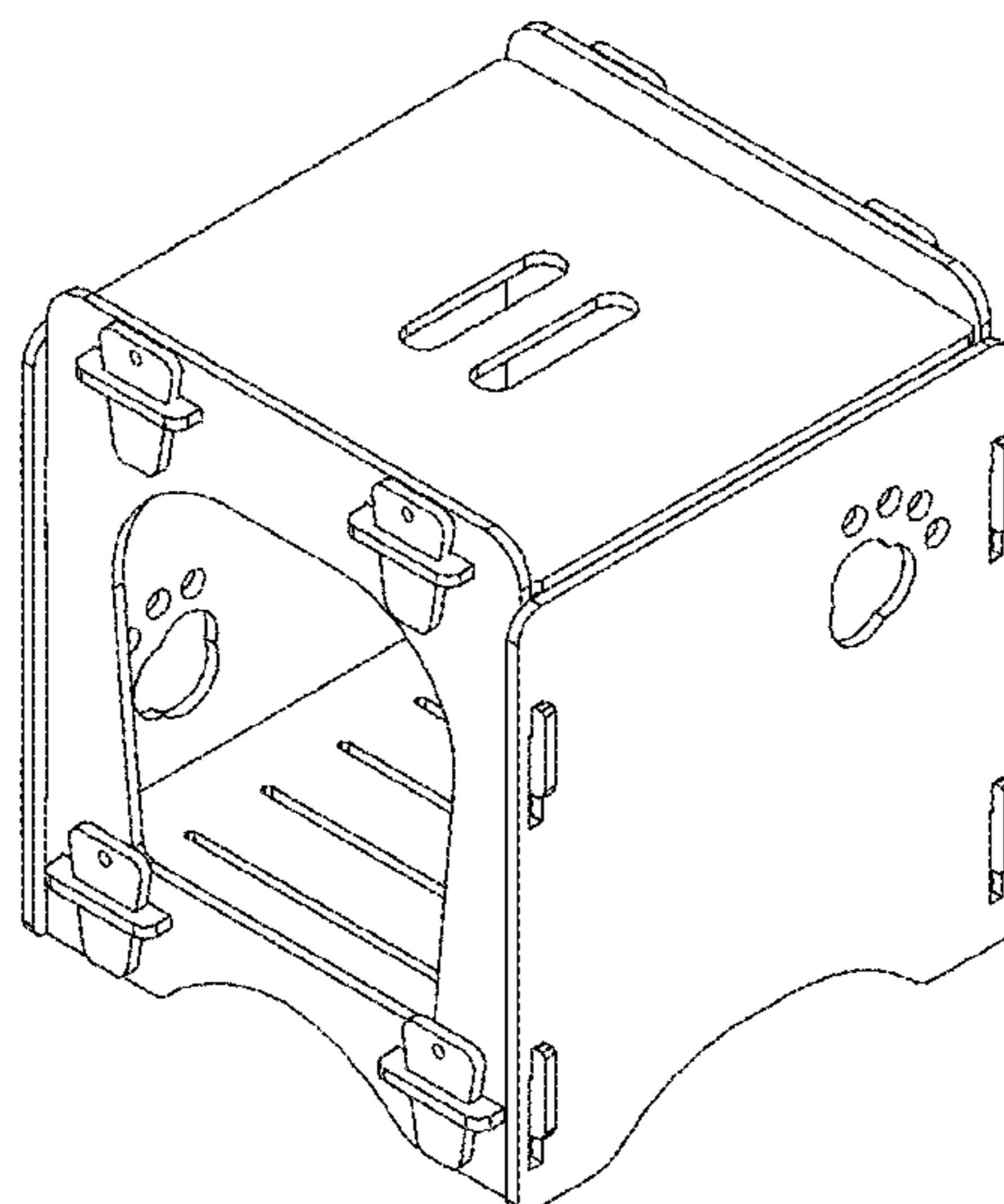
(57) **CLAIM**

I claim the ornamental design for a pet house, as shown and described.

**DESCRIPTION**

FIG. 1 is a perspective view of a pet house, showing my new design;  
 FIG. 2 is a front elevational view thereof;  
 FIG. 3 is a rear elevational view thereof;  
 FIG. 4 is a left side elevational view thereof;  
 FIG. 5 is a right side elevational view thereof;  
 FIG. 6 is a top plan view thereof; and,  
 FIG. 7 is a bottom plan view thereof.

**1 Claim, 7 Drawing Sheets**



(56)

**References Cited**

U.S. PATENT DOCUMENTS

D735,952	S *	8/2015	Otto .....	D30/108
D752,297	S *	3/2016	Tominaga .....	D30/108
D762,332	S *	7/2016	Chance .....	D30/108
2002/0020361	A1 *	2/2002	Granda .....	A01K 31/06 119/459
2012/0152178	A1 *	6/2012	McLean .....	A01K 31/08 119/431
2012/0192800	A1 *	8/2012	Zanotti .....	A01K 31/002 119/489
2014/0230746	A1 *	8/2014	Chapman .....	A01K 1/0254 119/453
2016/0227731	A1 *	8/2016	Cheng .....	A01K 1/0245

\* cited by examiner

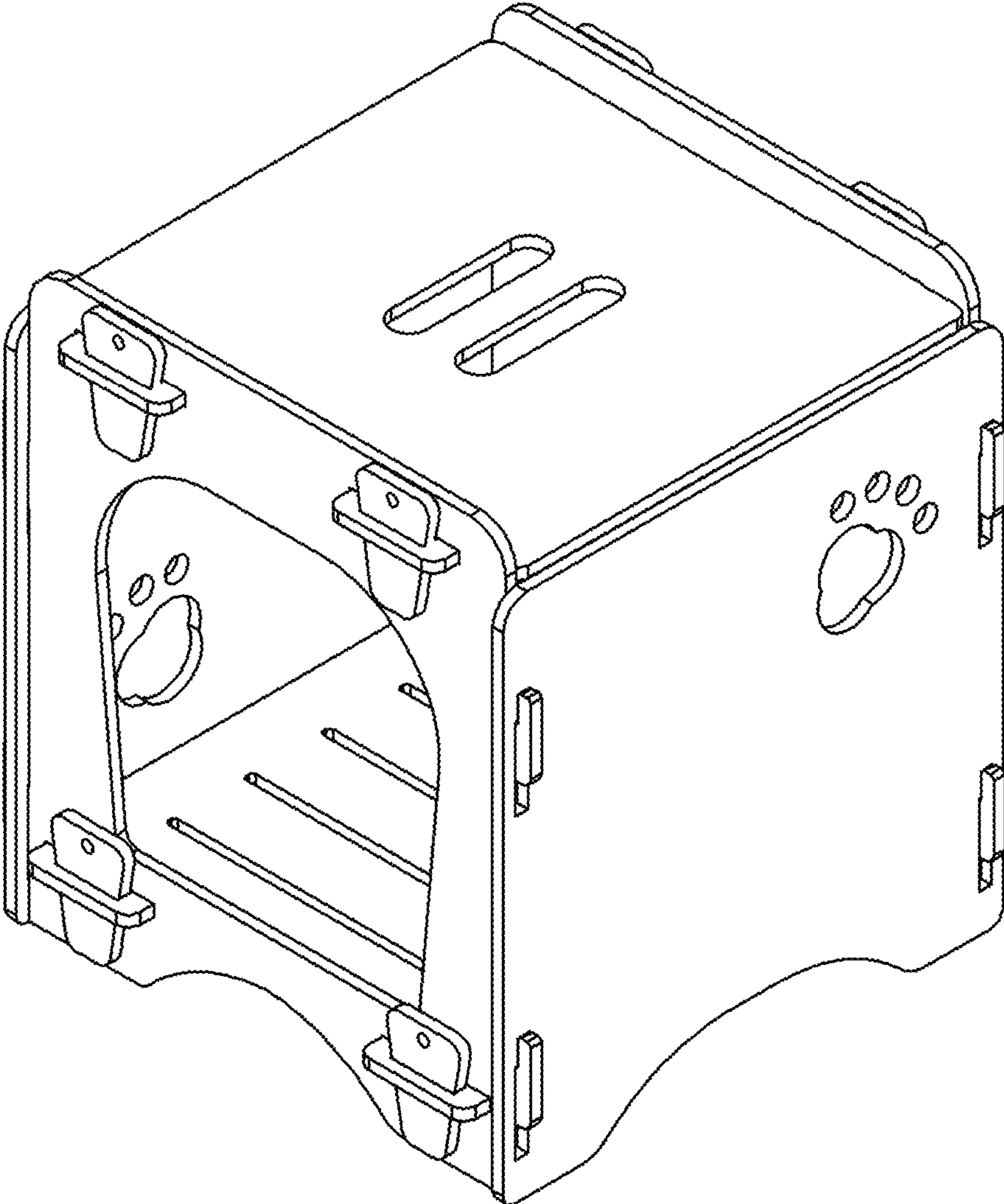


FIG. 1

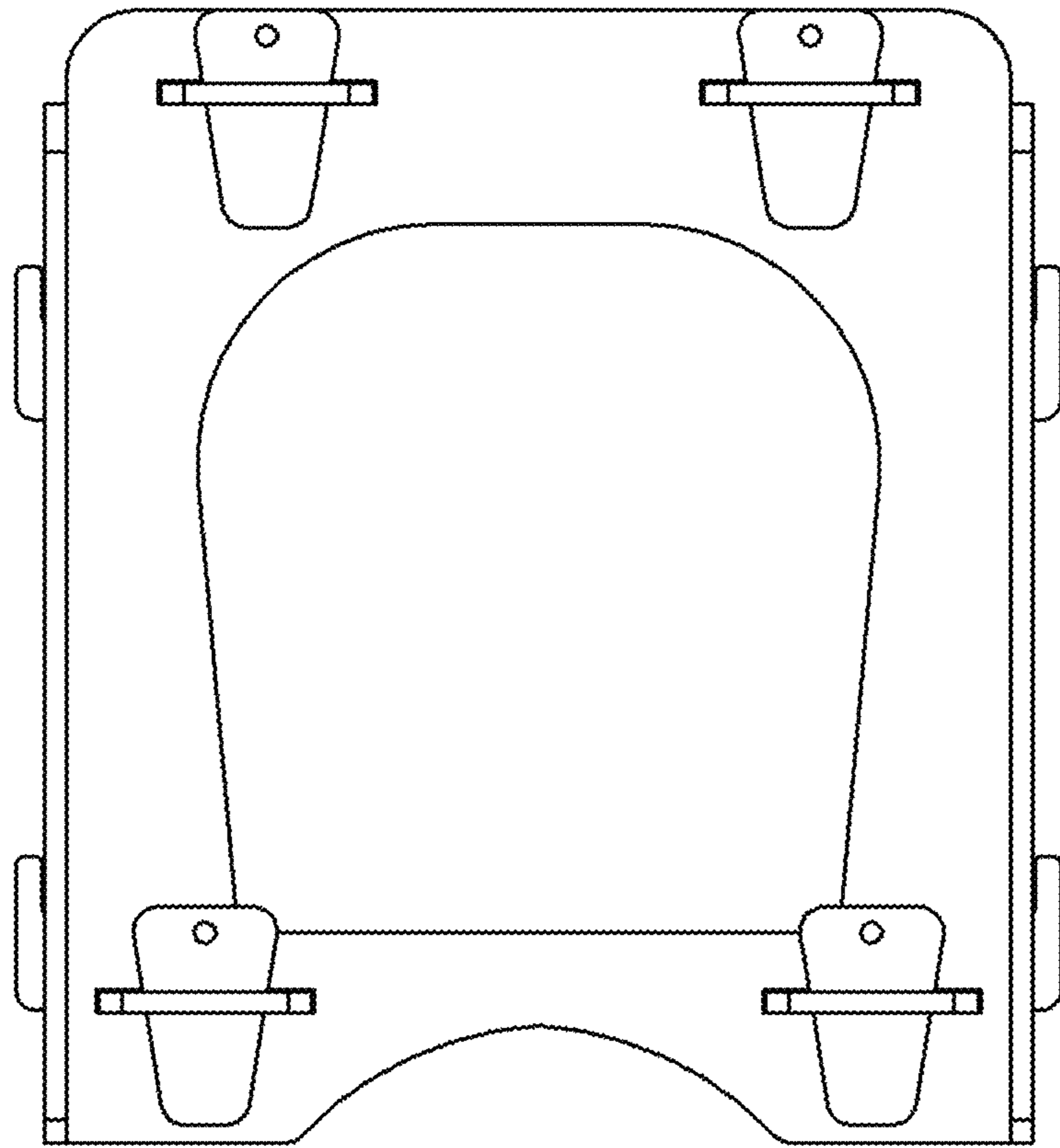


FIG. 2

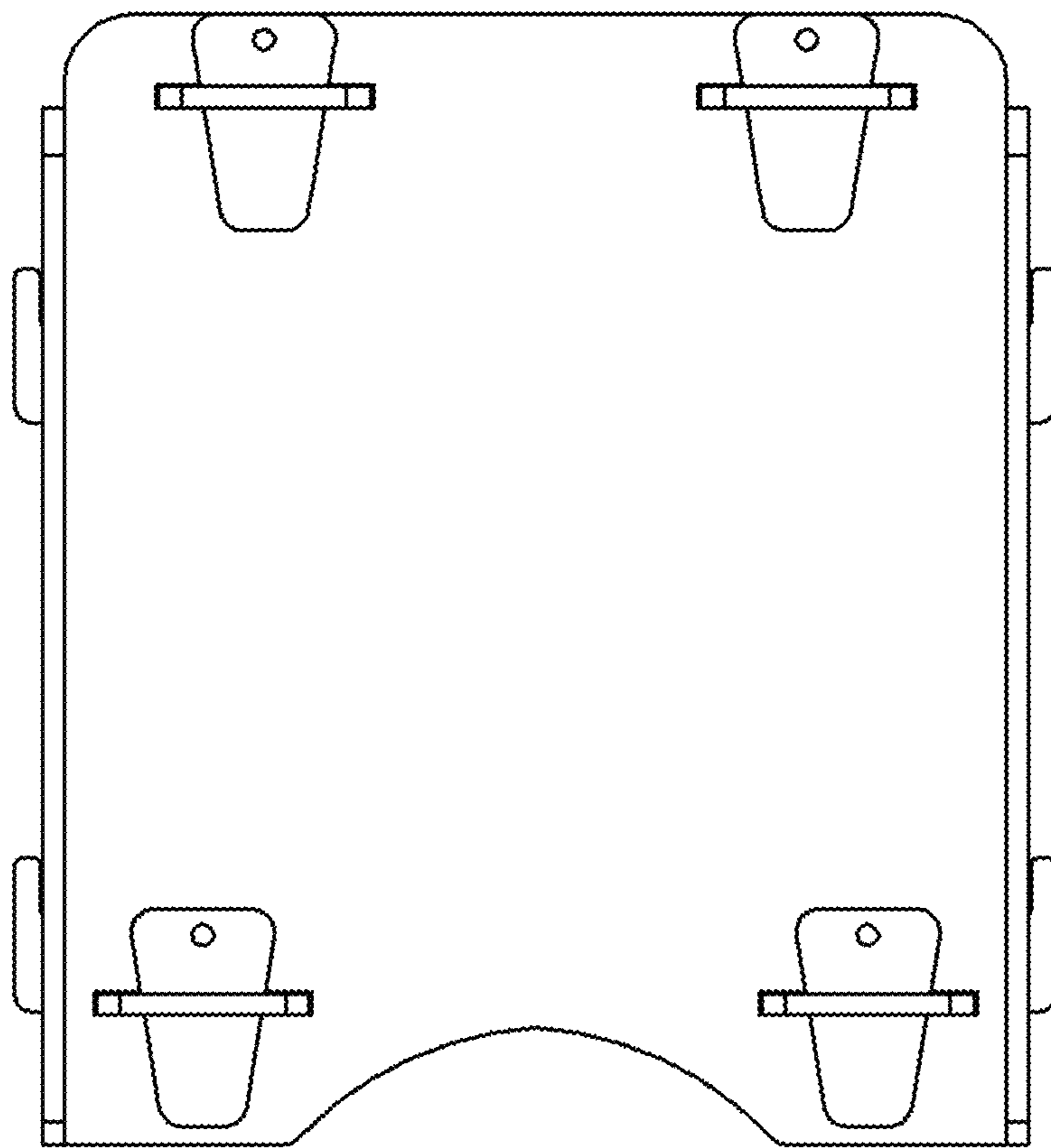


FIG. 3

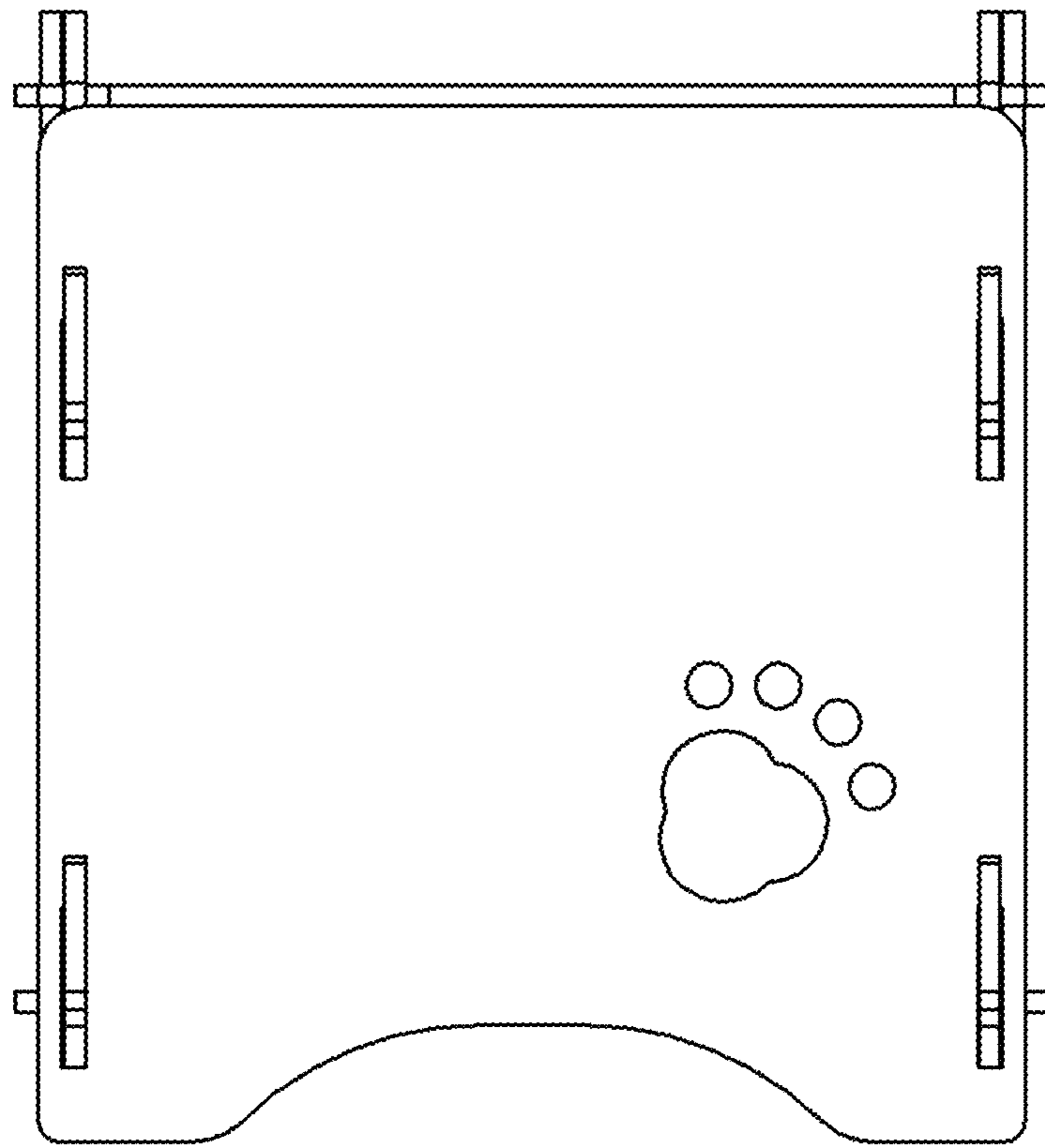


FIG. 4



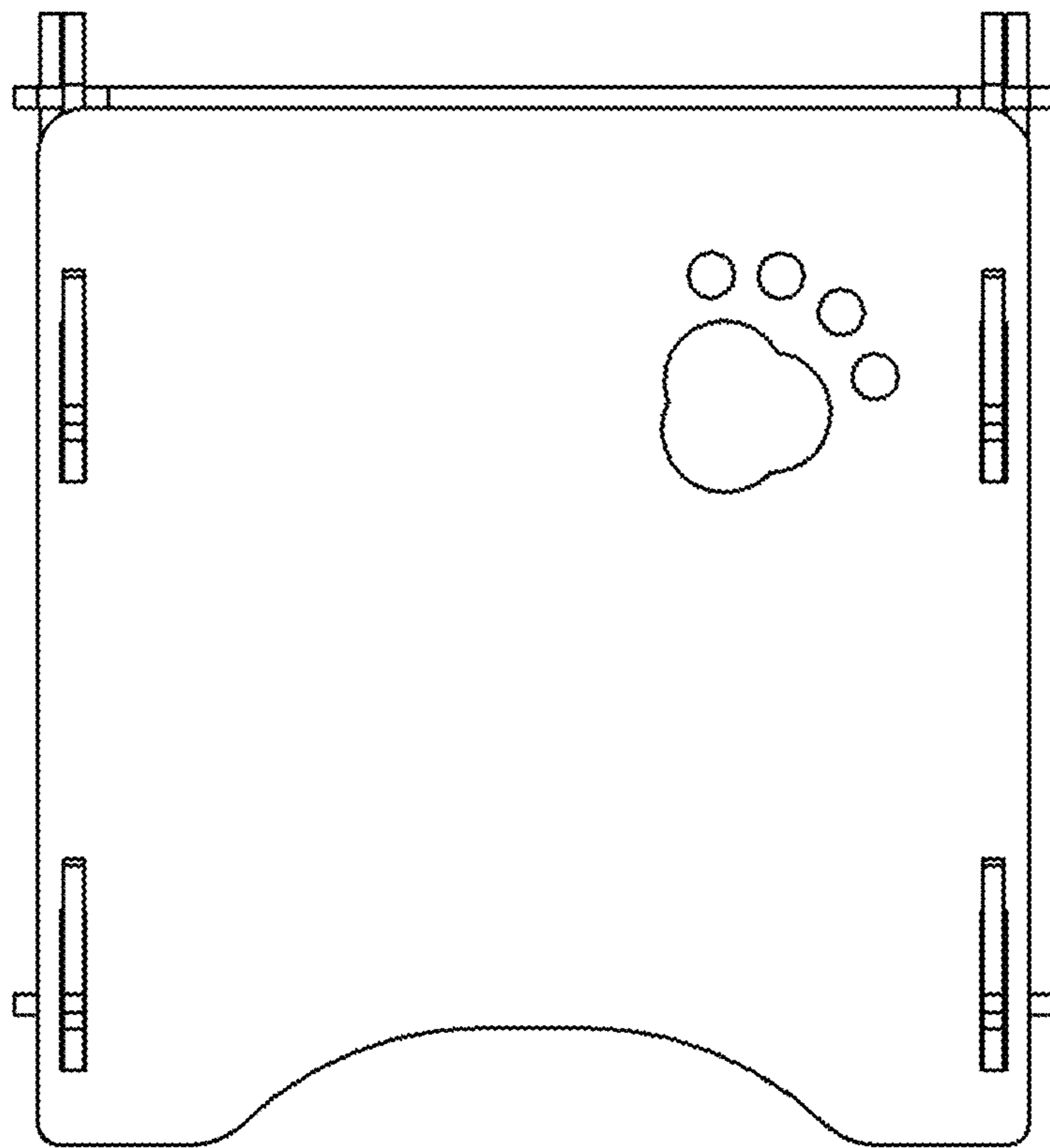


FIG. 5

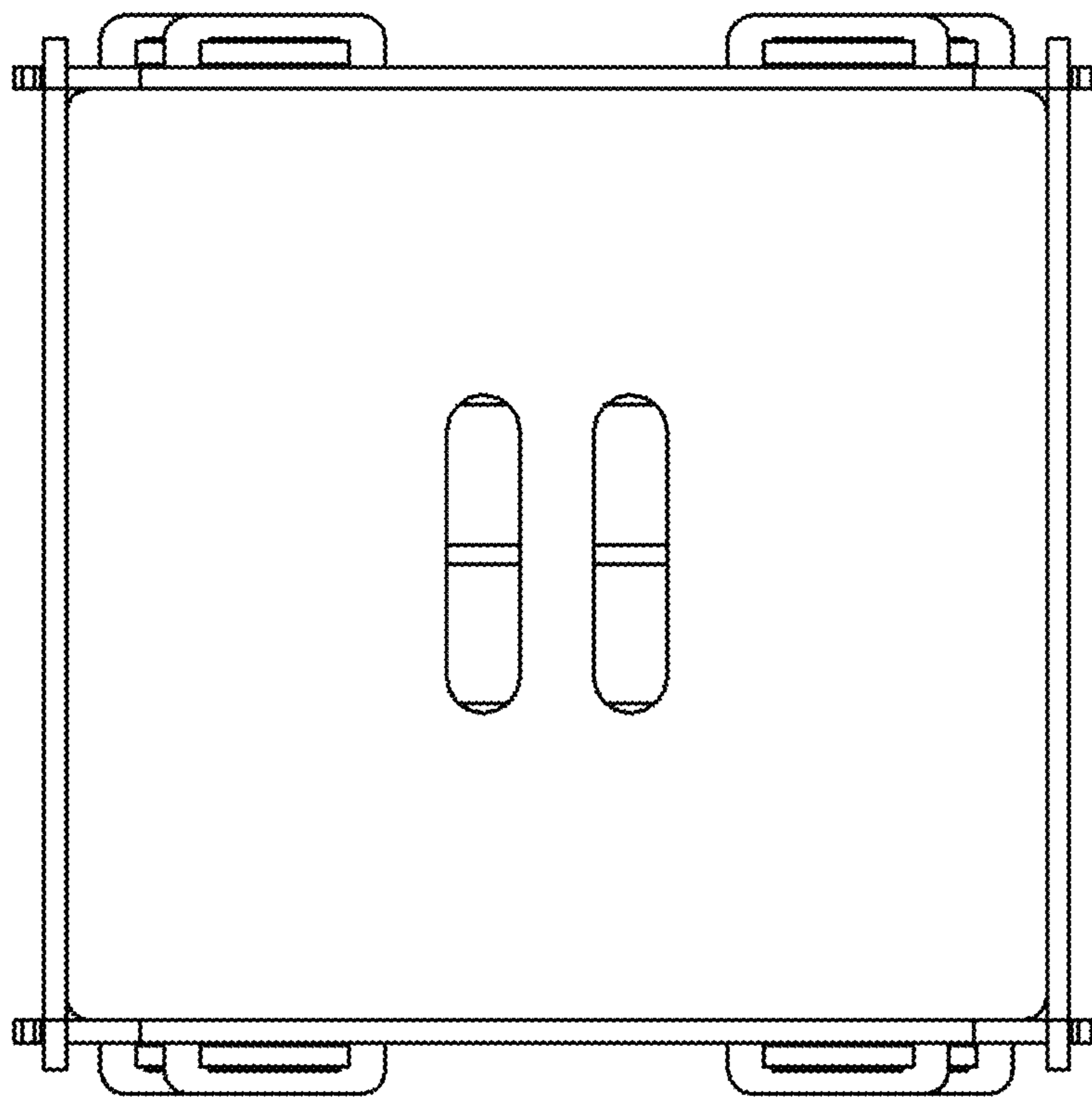


FIG. 6



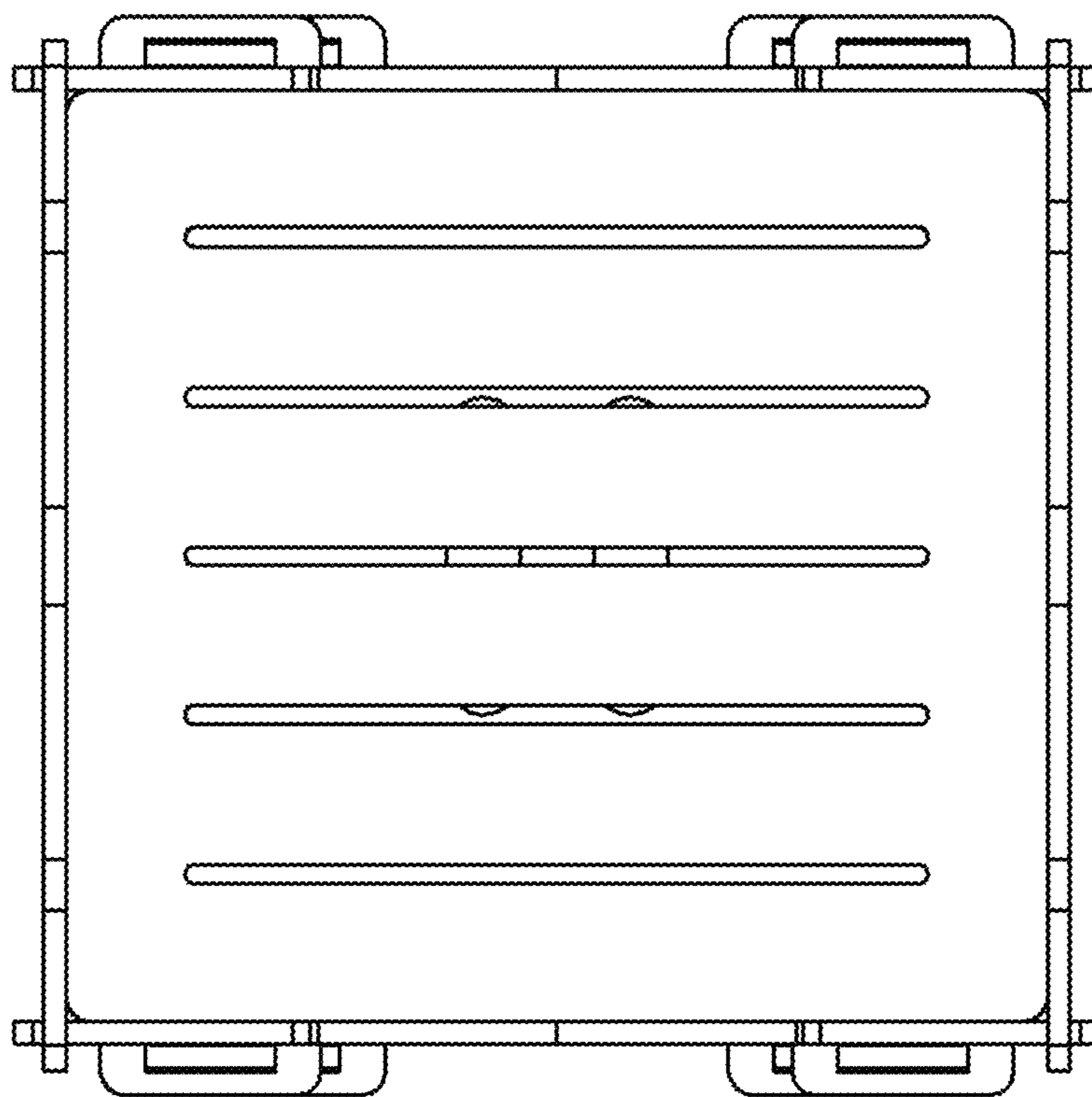


FIG. 7