



US00D814105S

(12) **United States Design Patent** (10) **Patent No.:** **US D814,105 S**
Eng et al. (45) **Date of Patent:** **** Mar. 27, 2018**

(54) **ELECTRONIC HOOKAH**
(71) Applicant: **NGEN SMOKE LLC**, East Brunswick, NJ (US)
(72) Inventors: **Ryan Eng**, East Brunswick, NJ (US);
Eric Wong, East Brunswick, NJ (US);
David Lam, Mount Royal, NJ (US)
(73) Assignee: **NGEN SMOKE LLC**, East Brunswick, NJ (US)
(**) Term: **15 Years**
(21) Appl. No.: **29/594,363**
(22) Filed: **Feb. 17, 2017**

D742,587 S * 11/2015 Masri D27/162
D754,915 S * 4/2016 Helou D27/162
D755,439 S * 5/2016 Helou D27/162
D757,355 S * 5/2016 al Arja D27/162
D761,999 S * 7/2016 Liu D27/101
D762,002 S * 7/2016 Liu D27/162
D765,309 S * 8/2016 Liu D27/101
D770,088 S * 10/2016 Abadi D27/167
D782,109 S * 3/2017 King D27/195
D784,611 S * 4/2017 Eng D27/162
9,801,411 B1 * 10/2017 Hays A24F 13/06
D804,093 S * 11/2017 Chen D27/195
2006/0086364 A1 * 4/2006 Liu A24F 1/30
131/173
2006/0107964 A1 * 5/2006 Ohanesian A24F 1/30
131/173
2006/0207621 A1 * 9/2006 Shraiber A24B 13/00
131/348
2006/0272658 A1 * 12/2006 Mehio A24F 1/30
131/173

Related U.S. Application Data

(62) Division of application No. 29/514,974, filed on Jan. 19, 2015, now Pat. No. Des. 784,611.
(51) **LOC (11) Cl.** **27-02**
(52) **U.S. Cl.**
USPC **D27/167**
(58) **Field of Classification Search**
USPC D27/100, 101, 162-170, 172-195
CPC A24F 1/30; A24F 9/14
See application file for complete search history.

(Continued)
Primary Examiner — Robert M. Spear
Assistant Examiner — Marissa J Cash
(74) *Attorney, Agent, or Firm* — Antonio Papageorgiou;
Meister Seelig & Fein LLP

(57) **CLAIM**

The ornamental design for an electronic hookah, as shown and described.

DESCRIPTION

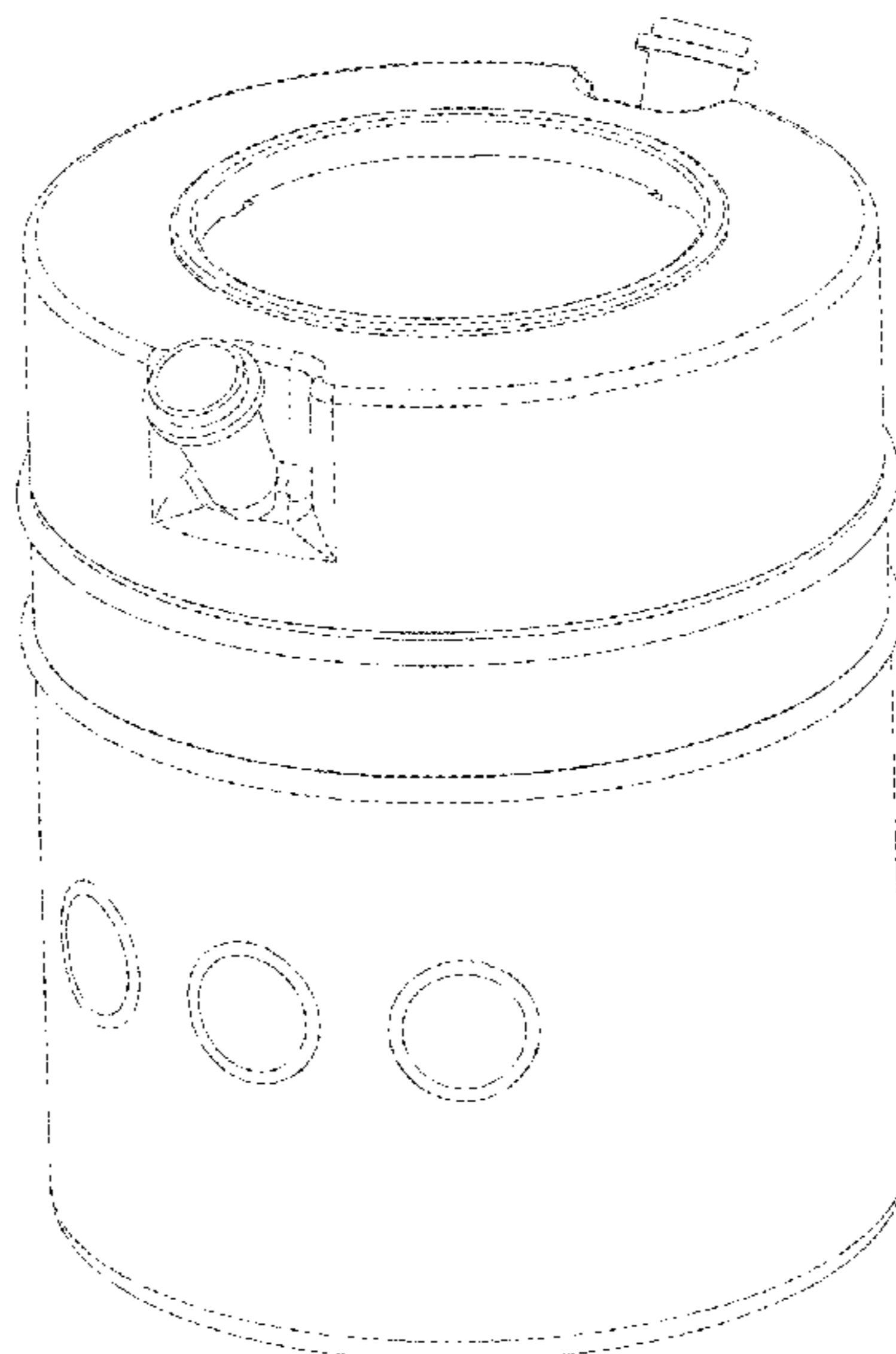
FIG. 1 is a perspective view of one side, the top, and the front of the electronic hookah apparatus according to my new design;
FIG. 2 is a front view thereof;
FIG. 3 is a back view thereof;
FIG. 4 is a left side view thereof;
FIG. 5 is a right side view thereof; and,
FIG. 6 is a top view thereof.

(56) **References Cited**

U.S. PATENT DOCUMENTS

D82,062 S * 9/1930 Sherman D27/190
D131,202 S * 1/1942 Vevirit D27/190
D370,300 S * 5/1996 Gottvald D27/172
D373,443 S * 9/1996 Gottvald D27/189
D428,109 S * 7/2000 Mayer D23/210
D558,919 S * 1/2008 Kassir D27/162
D584,853 S * 1/2009 Kassir D27/162
D722,722 S * 2/2015 Ross D27/167
D728,854 S * 5/2015 Siniakov D27/162

1 Claim, 6 Drawing Sheets



(56)

References Cited

U.S. PATENT DOCUMENTS

2009/0095310 A1* 4/2009 Chaoui A24F 1/30
131/173
2010/0126518 A1* 5/2010 Saleh A24D 1/14
131/222
2010/0326453 A1* 12/2010 Chaoui A24F 1/30
131/173
2012/0180803 A1* 7/2012 Beloni A24F 1/30
131/173
2013/0220350 A1* 8/2013 Zakayan A24F 1/30
131/257
2014/0130811 A1* 5/2014 Touzjian A24F 1/30
131/173
2014/0283852 A1* 9/2014 Dabes A24F 1/30
131/173
2015/0075544 A1* 3/2015 Portz A24D 1/14
131/328
2016/0206001 A1* 7/2016 Eng A24F 47/008

* cited by examiner

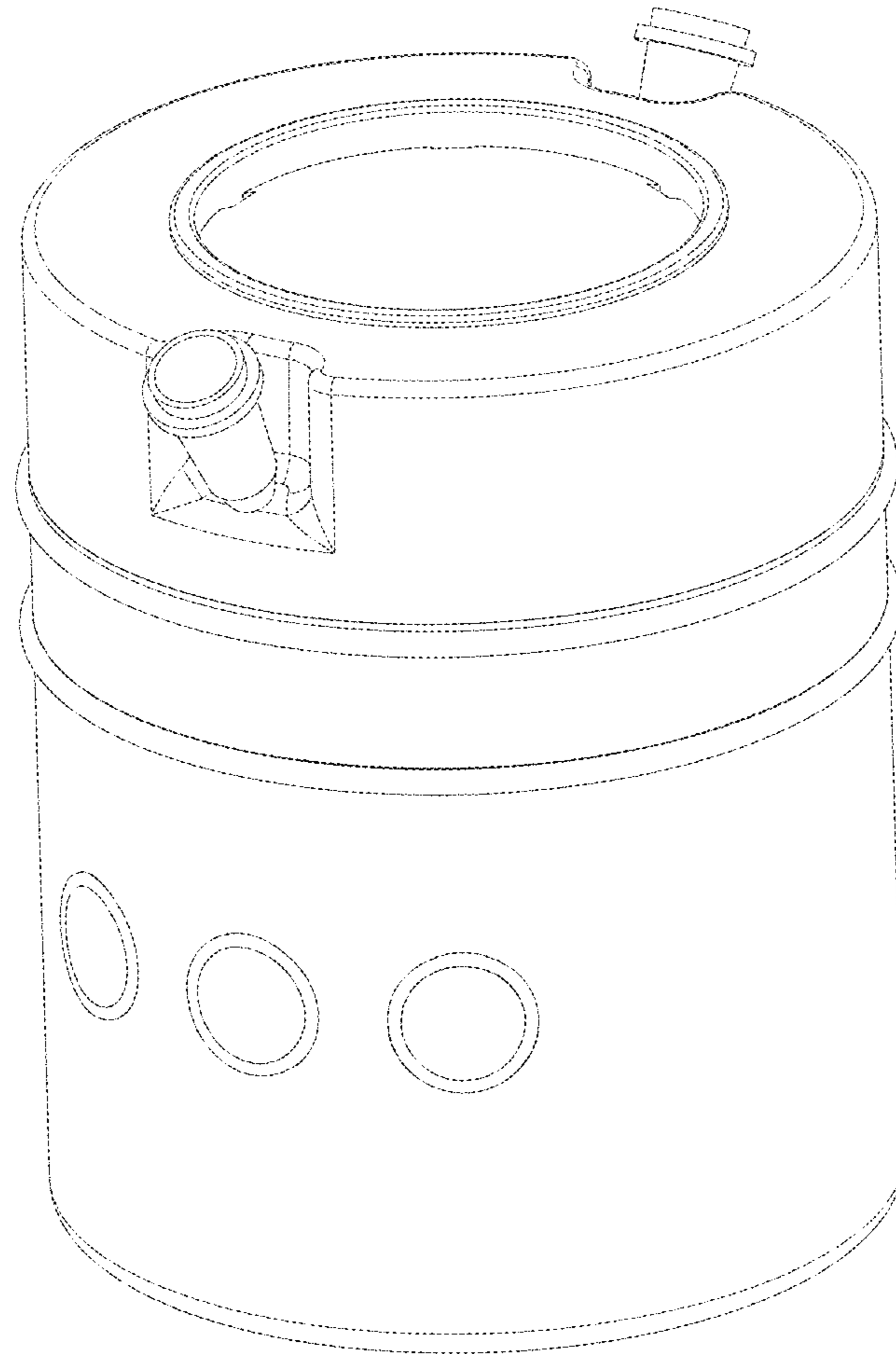


FIG. 1

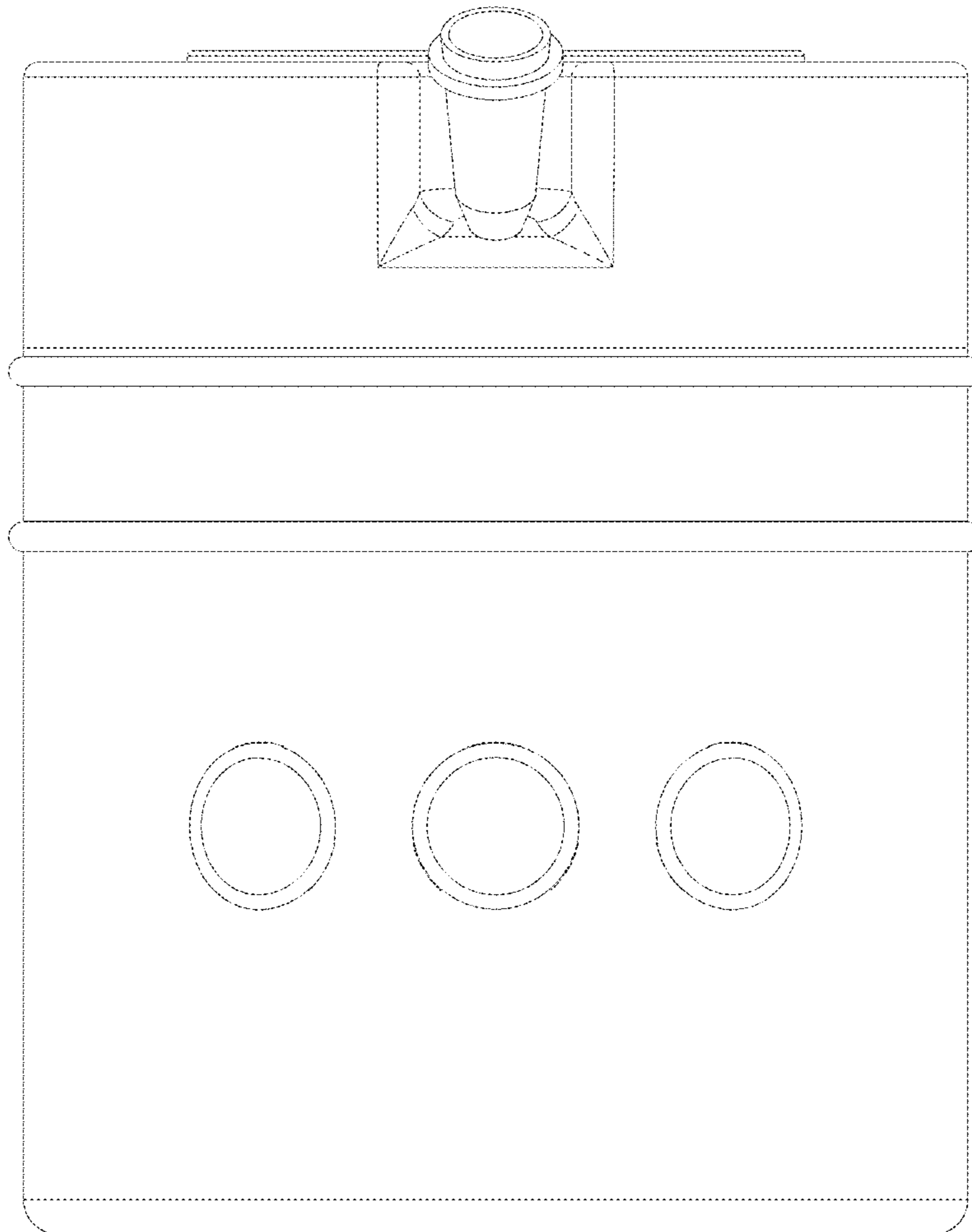


FIG. 2

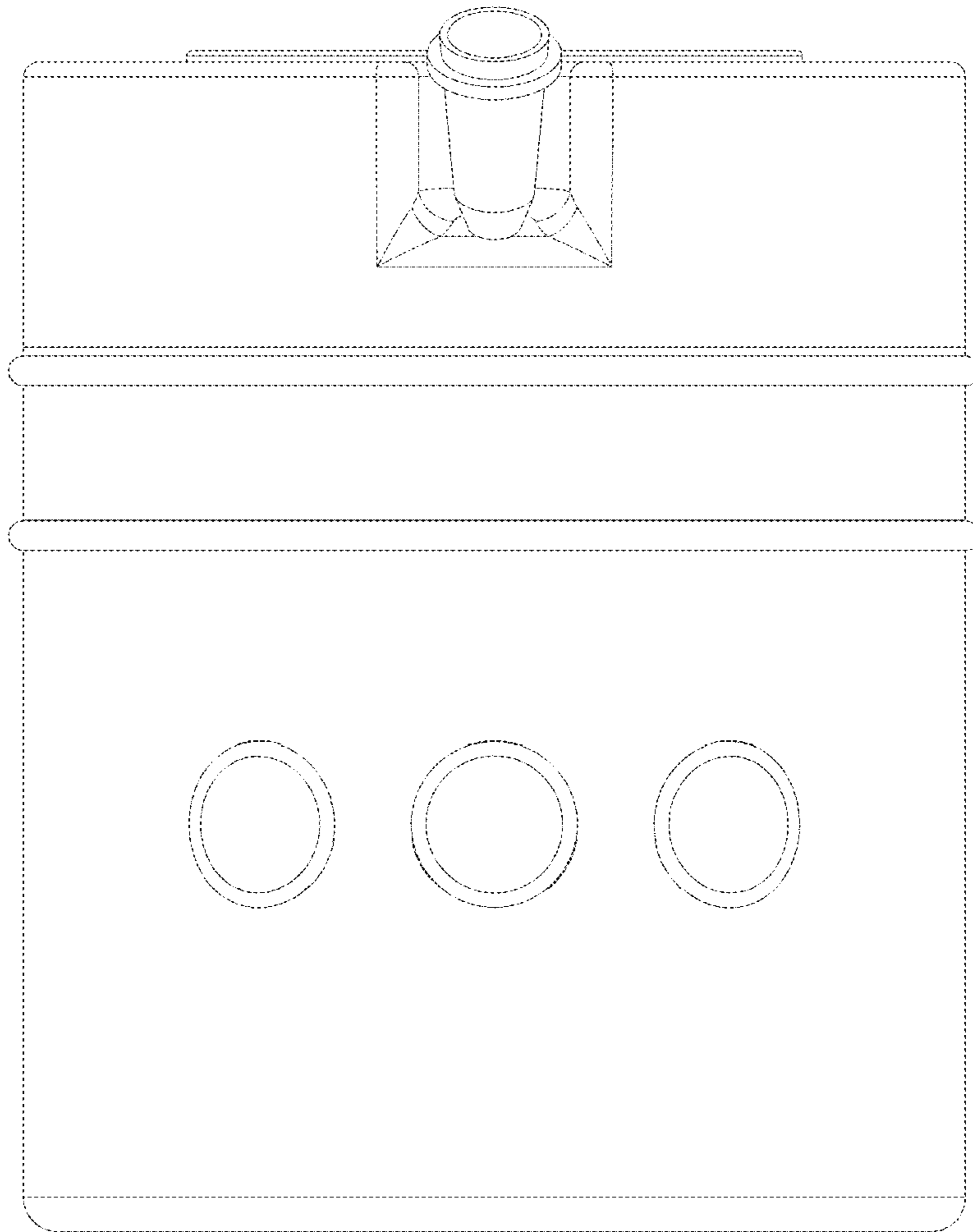


FIG. 3

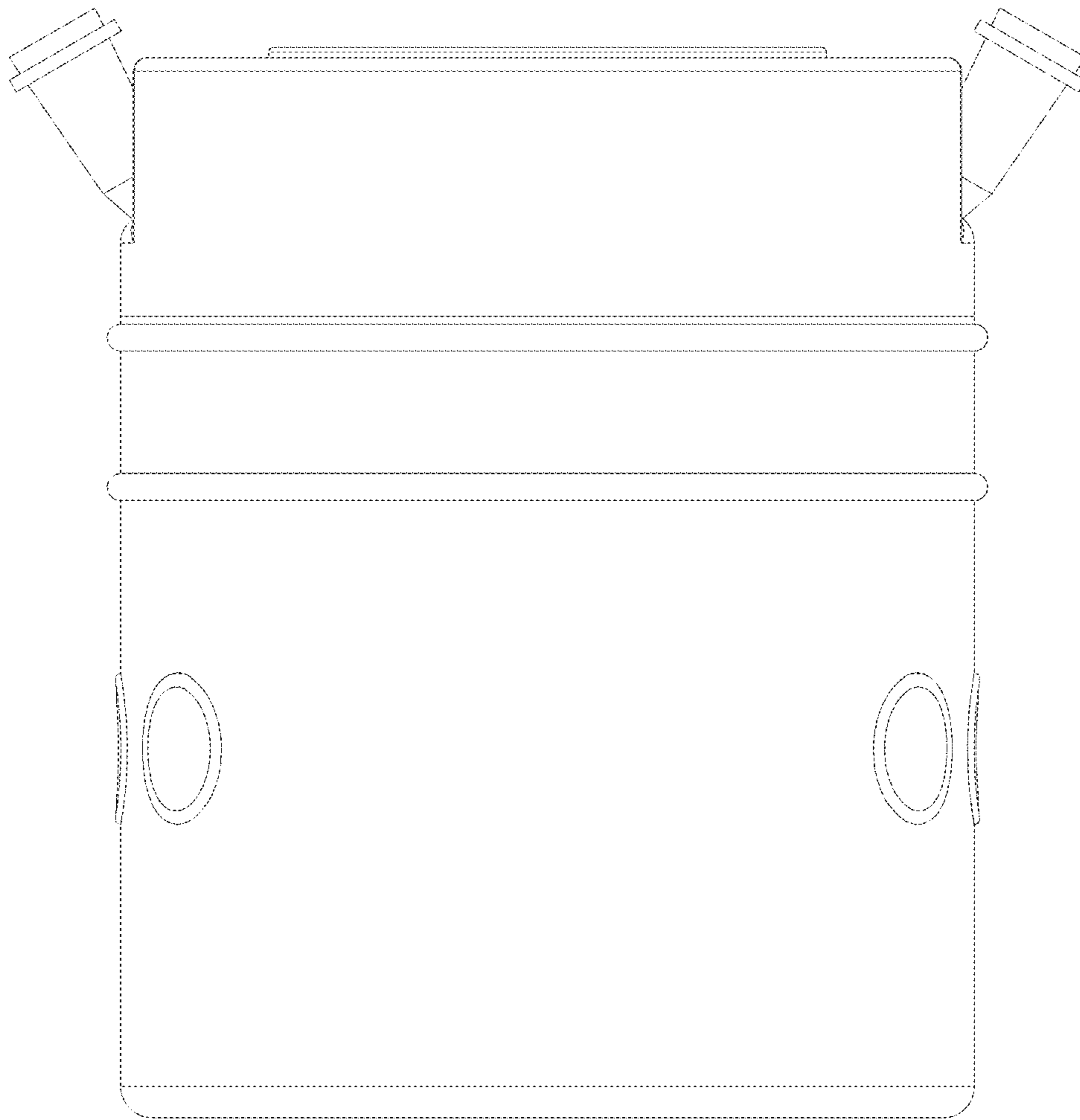


FIG. 4

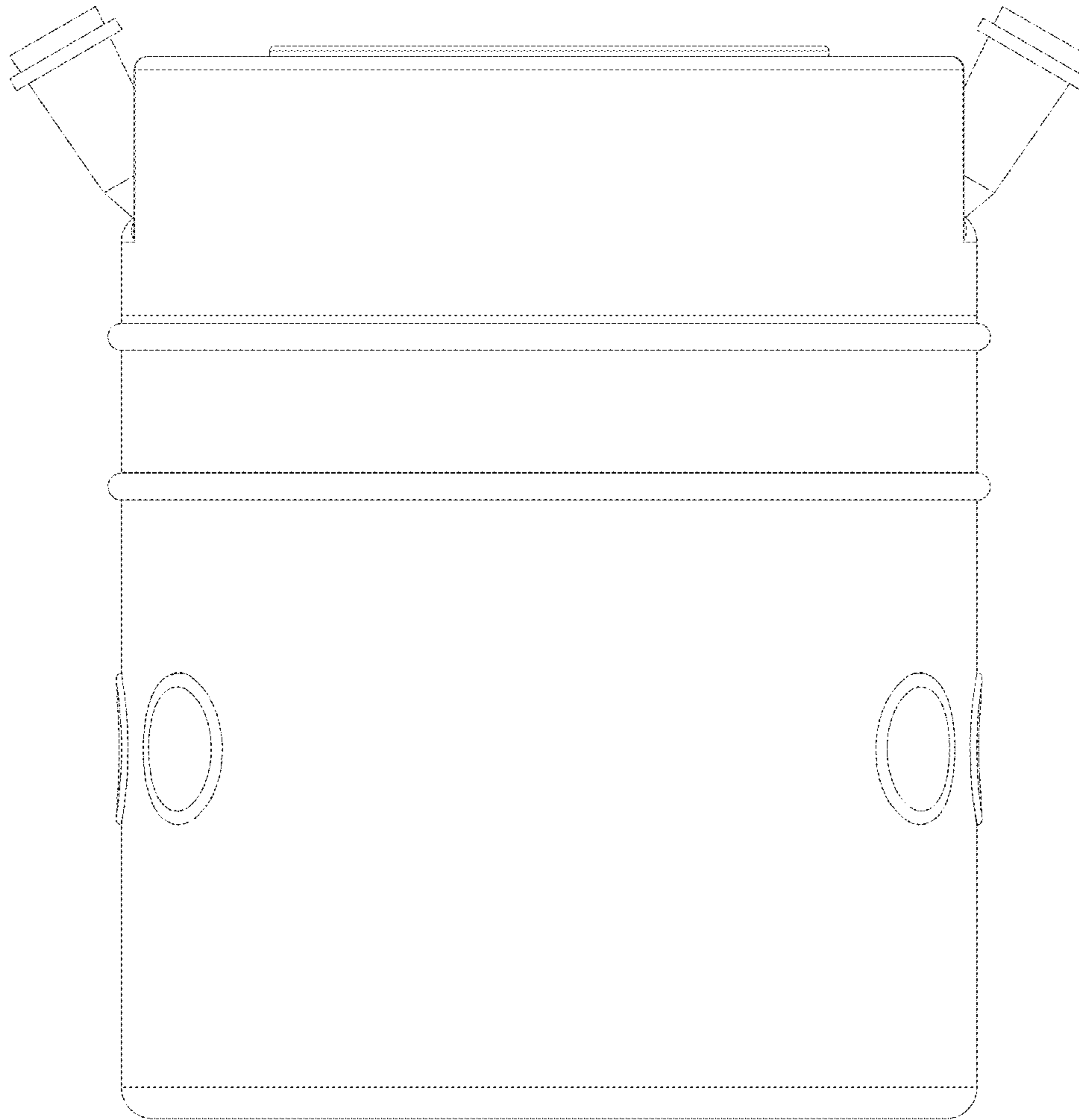


FIG. 5

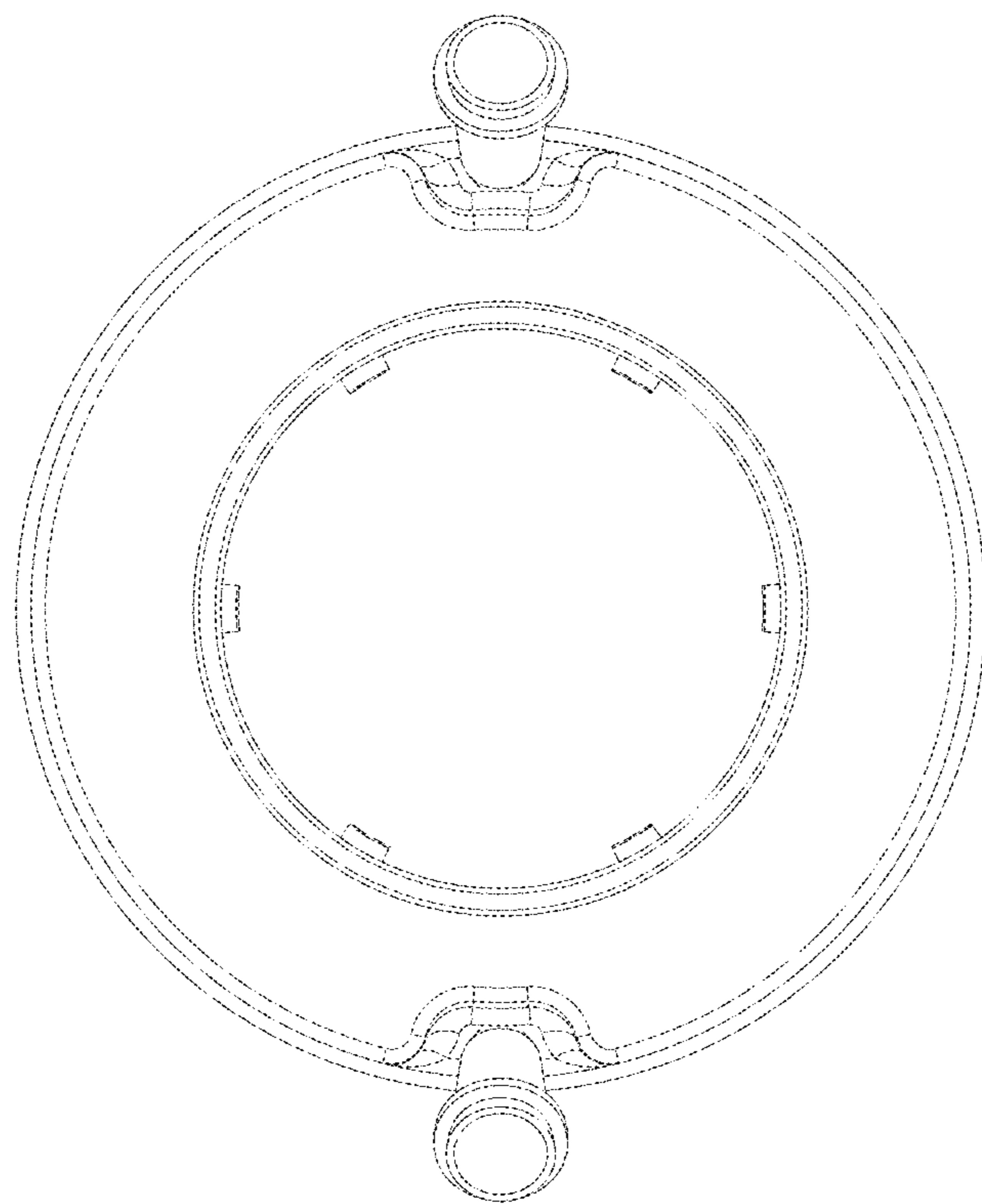


FIG. 6