



US00D814103S

(12) **United States Design Patent**
Levinson

(10) **Patent No.:** **US D814,103 S**
(45) **Date of Patent:** **** Mar. 27, 2018**

- (54) **ATOMIZER CIGAR**
- (71) Applicant: **Anthony Levinson, LLC**, Tarzana, CA (US)
- (72) Inventor: **Anthony Levinson**, Tarzana, CA (US)
- (73) Assignee: **Anthony Levinson, LLC**, Tarzana, CA (US)
- (**) Term: **15 Years**
- (21) Appl. No.: **29/598,548**
- (22) Filed: **Mar. 27, 2017**
- (51) **LOC (11) Cl.** **27-01**
- (52) **U.S. Cl.**
USPC **D27/101**
- (58) **Field of Classification Search**
USPC D27/100, 101, 162-170, 172-195
CPC .. A24F 1/30; A24F 47/002; A24F 9/14; A24F 47/008

See application file for complete search history.

(56) **References Cited**

U.S. PATENT DOCUMENTS

D590,988 S *	4/2009	Hon	D27/101
D590,991 S *	4/2009	Hon	D27/101
D614,346 S *	4/2010	Lik	D27/101
D683,897 S *	6/2013	Liu	D27/170
D724,779 S *	3/2015	Liu	D27/101
D724,780 S *	3/2015	Wu	D27/101
D724,782 S *	3/2015	Wu	D27/101
D729,441 S *	5/2015	Hua	D27/101
D749,261 S *	2/2016	Chen	D27/162
D752,279 S *	3/2016	Liu	D27/101
D758,650 S *	6/2016	Wu	D27/101
D764,098 S *	8/2016	Liu	D27/101
D767,819 S *	9/2016	Kayvon	D27/162
D768,914 S *	10/2016	Liu	D27/101
D769,519 S *	10/2016	Chen	D27/101
D770,087 S *	10/2016	Di Bari	D27/101

D772,478 S *	11/2016	Liu	D27/167
D779,722 S *	2/2017	Volodarsky	D27/162
D792,645 S *	7/2017	Fornarelli	D27/167
D800,383 S *	10/2017	Verleur	D27/167
D802,839 S *	11/2017	Scott	D27/194
D803,475 S *	11/2017	Scheiber	D27/101
D804,090 S *	11/2017	Verleur	D27/101
D804,091 S *	11/2017	Fornarelli	D27/101
2006/0254604 A1 *	11/2006	Martinez Fernandez	A24F 47/002
				131/273
2013/0180533 A1 *	7/2013	Kim	A24F 47/008
				131/273
2013/0319438 A1 *	12/2013	Liu	A24F 47/008
				131/329
2014/0060524 A1 *	3/2014	Liu	A24F 47/008
				128/200.14

(Continued)

Primary Examiner — Robert M. Spear
Assistant Examiner — Marissa J Cash
(74) *Attorney, Agent, or Firm* — Hankin Patent Law, APC; Kevin Schraven; Sergio Becerra

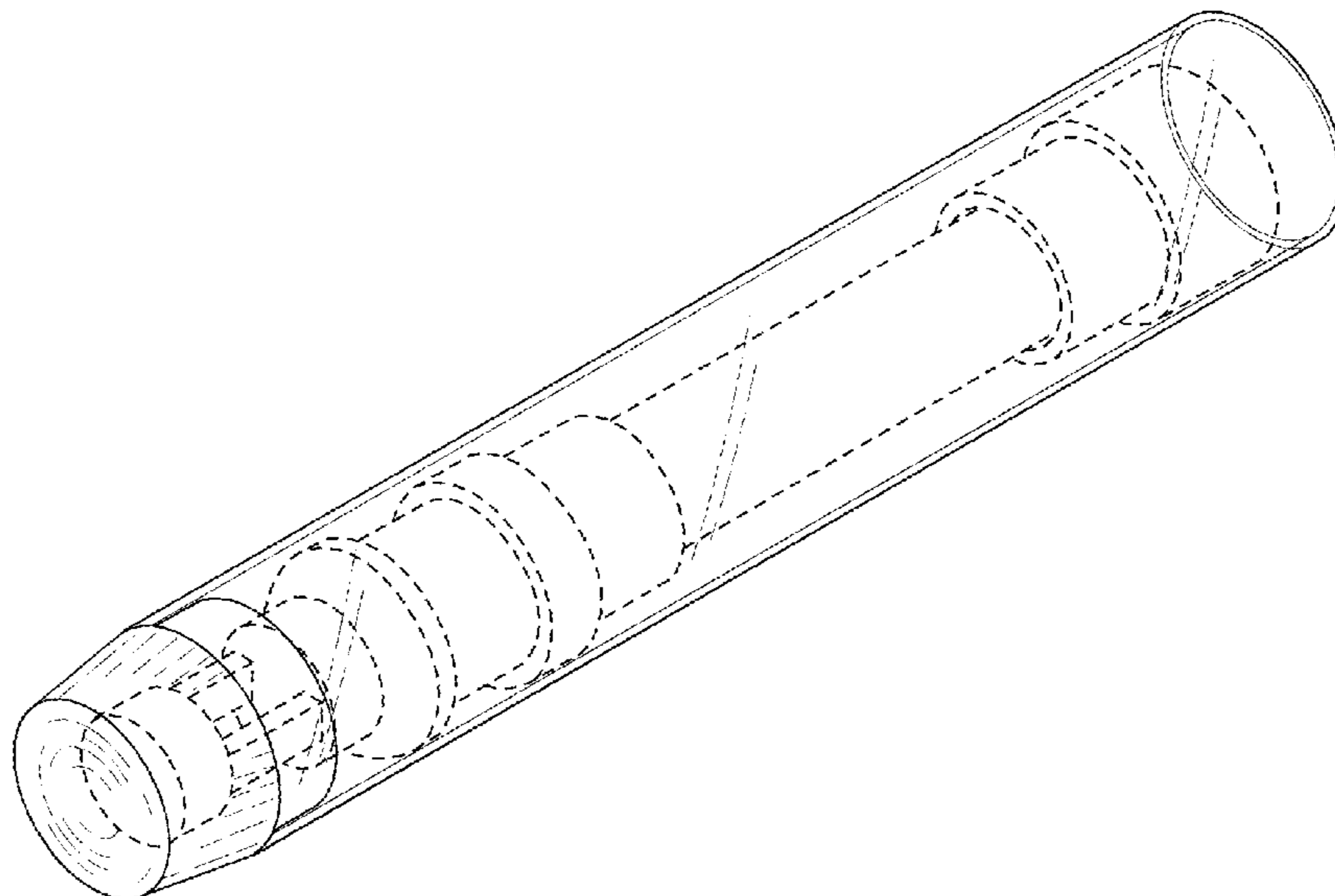
(57) **CLAIM**

The ornamental design for an atomizer cigar, as shown and described.

DESCRIPTION

FIG. 1 is a perspective view of an atomizer cigar shown in an environment of use
FIG. 2 is a frontal elevation view thereof;
FIG. 3 is a rear elevation view thereof;
FIG. 4 is a left side elevation view thereof, a right-side elevation view being a mirror image thereof;
FIG. 5 is a top plan view thereof, a bottom plan view being a mirror image thereof; and,
FIG. 6 is an exploded view thereof.
The broken lines showing the atomizer components are included for the purpose of illustrating environmental structure and forms no part of the claimed design.

1 Claim, 6 Drawing Sheets



(56)

References Cited

U.S. PATENT DOCUMENTS

2014/0182604 A1* 7/2014 Hutton A24C 5/42
131/70
2014/0261500 A1* 9/2014 Park A24F 47/008
131/329
2014/0283859 A1* 9/2014 Minskoff A24F 47/008
131/329
2014/0290677 A1* 10/2014 Liu A24F 47/008
131/329
2015/0313288 A1* 11/2015 Liu A24F 47/008
131/329
2015/0374036 A1* 12/2015 Suzuki A24F 47/008
131/329
2016/0073692 A1* 3/2016 Alarcon A24F 47/008
131/329
2016/0113327 A1* 4/2016 Wu A24F 47/008
131/329
2016/0121058 A1* 5/2016 Chen A61M 11/04
128/200.19
2016/0150821 A1* 6/2016 Liu A24F 47/008
131/329
2016/0219935 A1* 8/2016 Qiu A24F 47/008

* cited by examiner

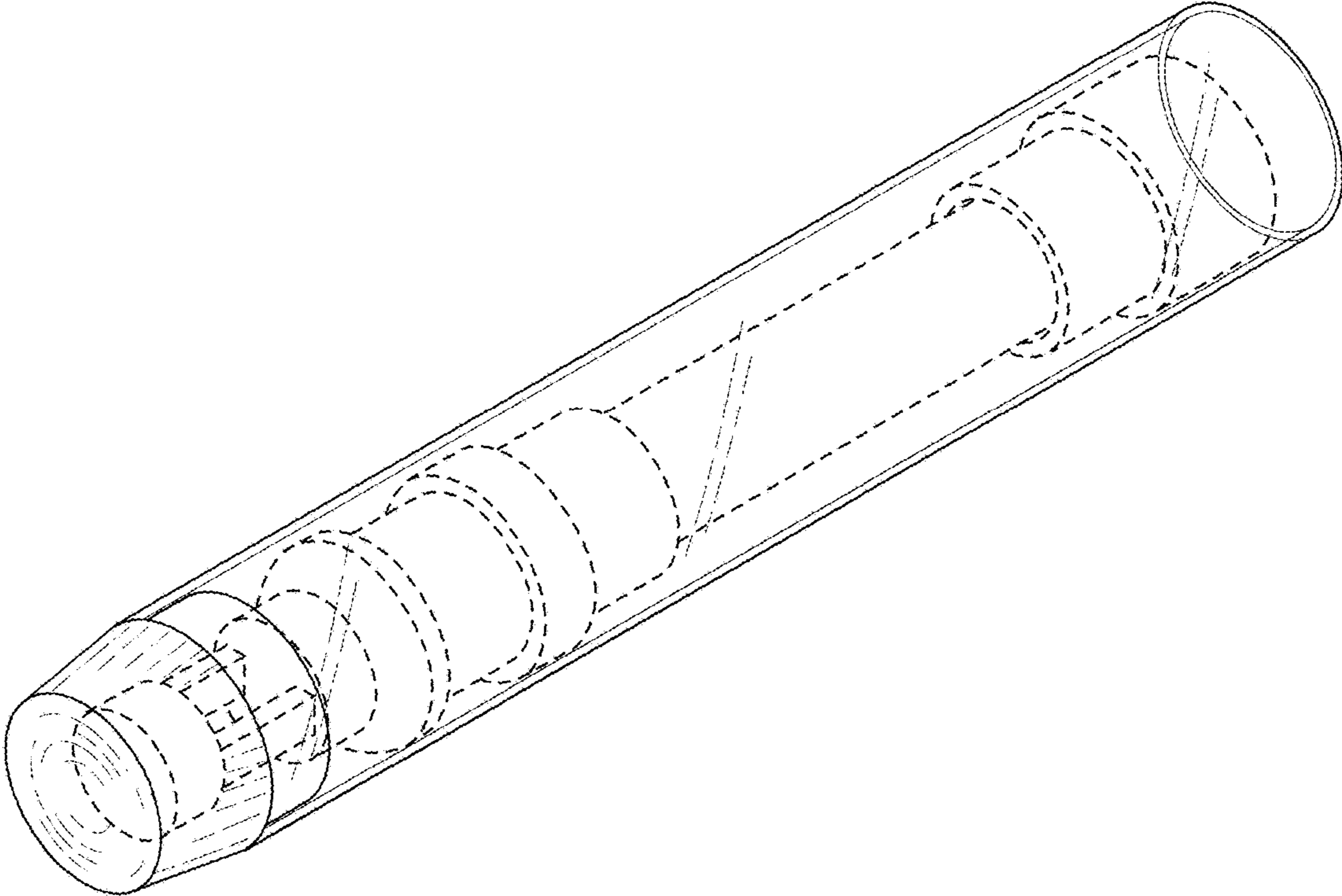


Fig.1

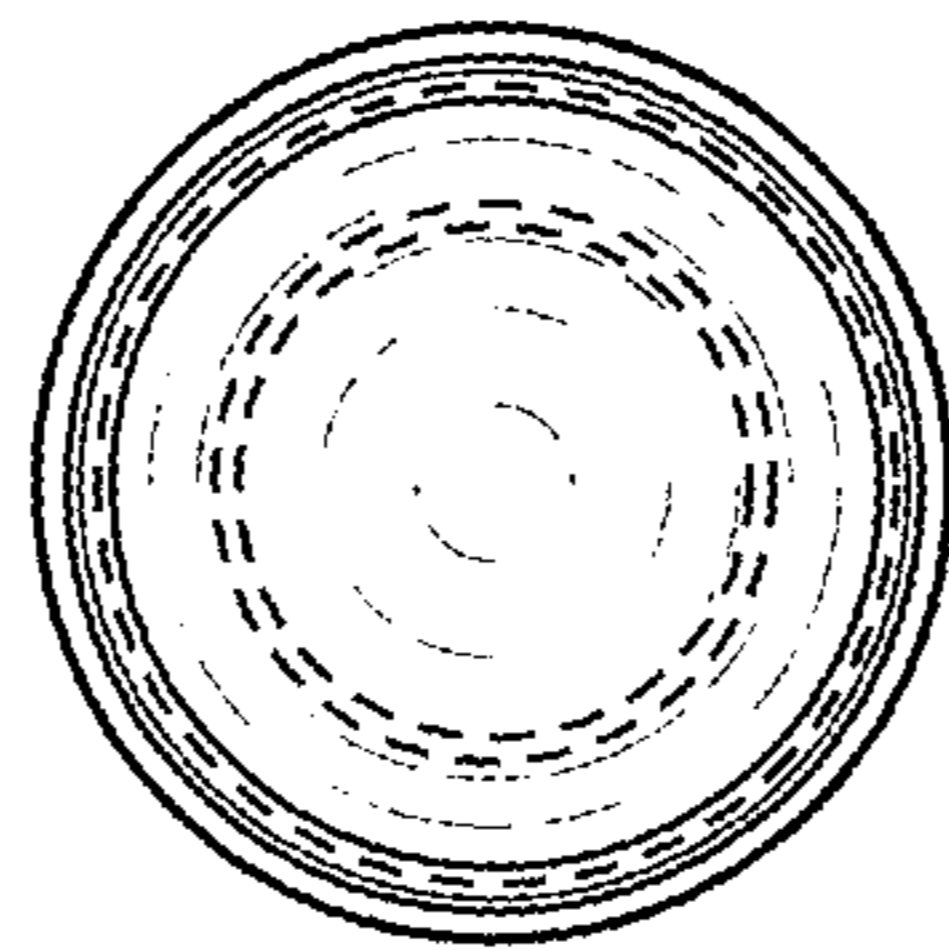


Fig.2

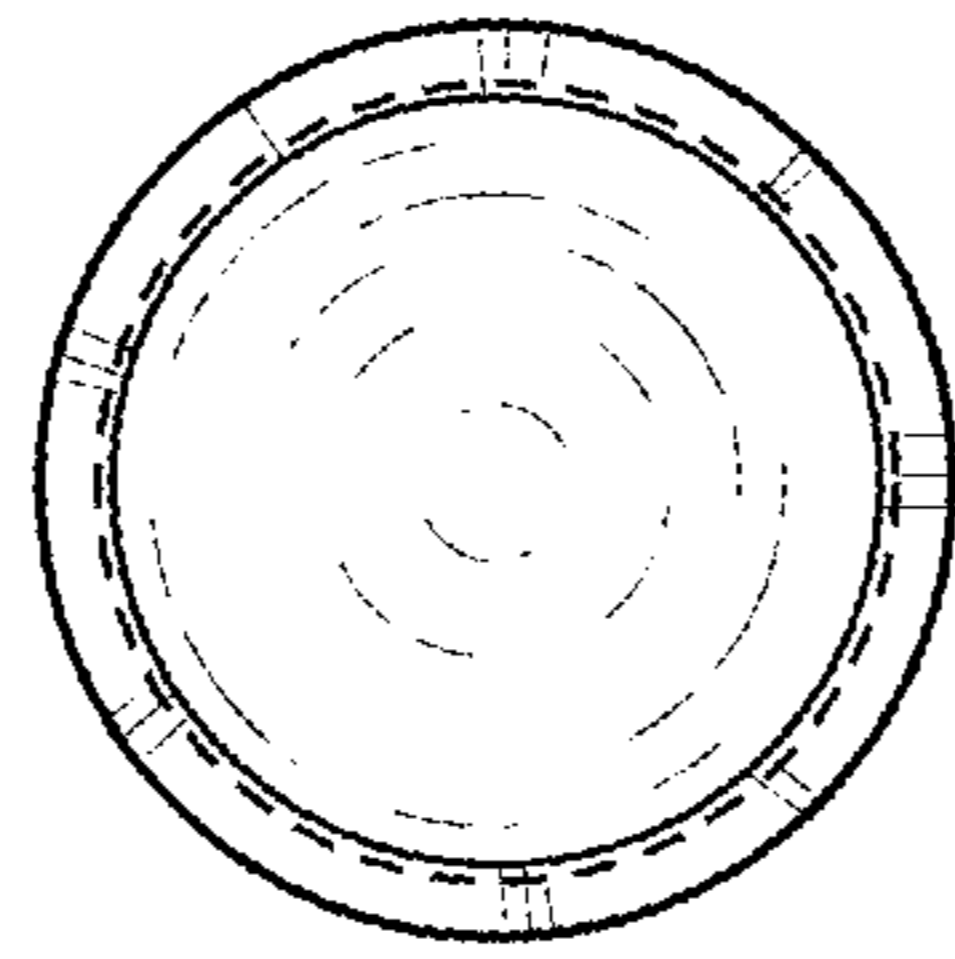


Fig.3

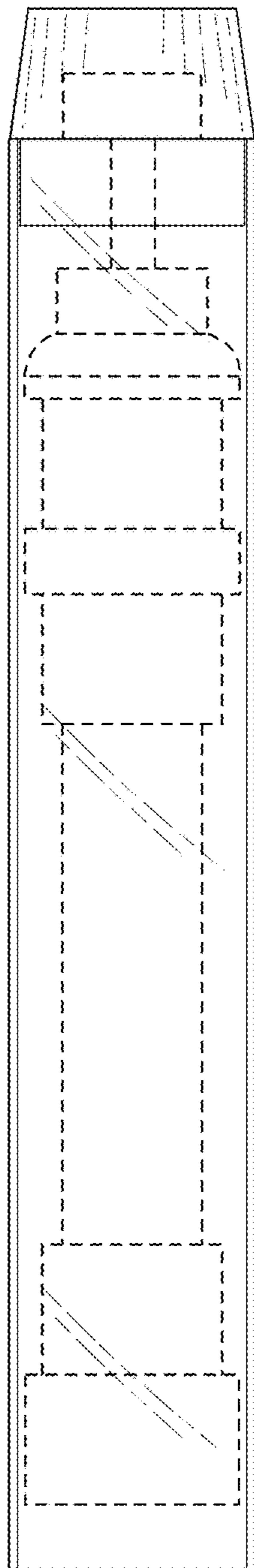


Fig.4

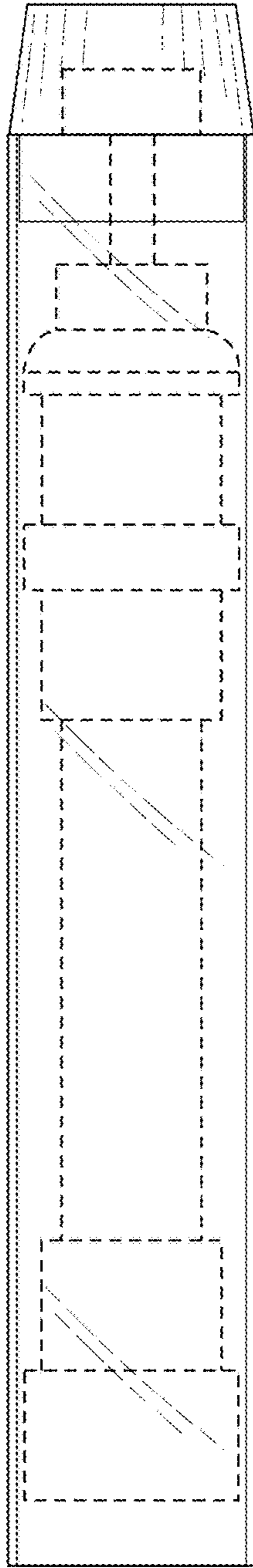


Fig.5

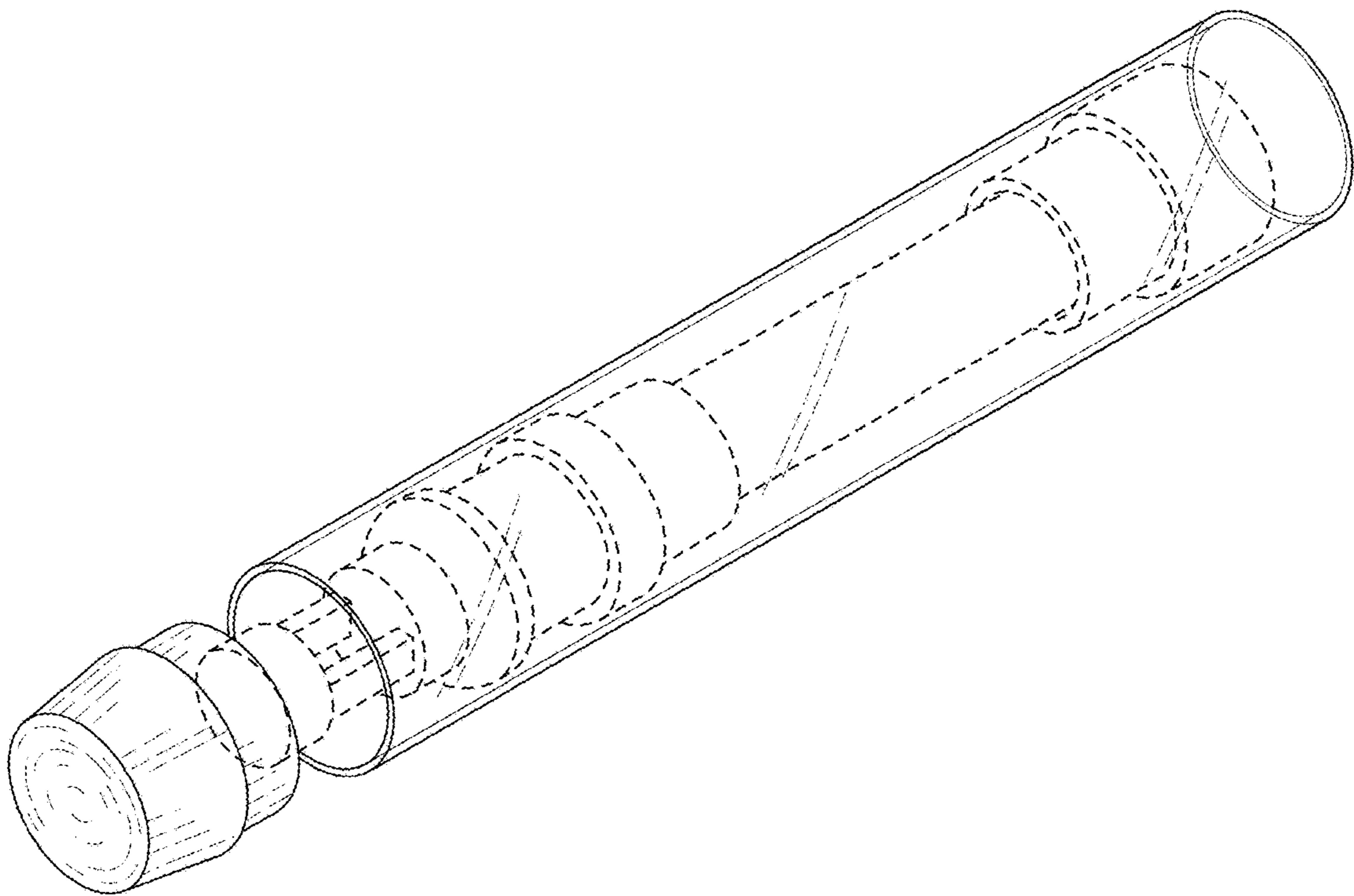


Fig.6