



US00D814100S

(12) **United States Design Patent**  
**Terumichi**

(10) **Patent No.:** **US D814,100 S**  
(45) **Date of Patent:** **\*\* Mar. 27, 2018**

(54) **LIGHTING APPARATUS**

(71) Applicant: **ModuleX Inc.**, Tokyo (JP)  
(72) Inventor: **Goro Terumichi**, Tokyo (JP)  
(73) Assignee: **MODULEX, INC.**, Tokyo (JP)  
(\*\*) Term: **15 Years**  
(21) Appl. No.: **29/571,338**

(22) Filed: **Jul. 18, 2016**

(30) **Foreign Application Priority Data**

Jan. 16, 2016 (JP) ..... 2016-000749  
(51) **LOC (11) Cl.** ..... **26-99**  
(52) **U.S. Cl.**  
USPC ..... **D26/118**  
(58) **Field of Classification Search**  
USPC ..... D26/74, 72, 75, 76, 77, 78, 85, 88, 89,  
D26/118, 138, 141, 24, 60, 63  
CPC ..... F21V 29/2262; F21V 7/06; F21V 21/044;  
F21V 21/047; F21V 29/2212; F21V  
29/2225; F21V 29/2256; F21V 29/225;  
F21V 29/2268; F21Y 2111/002; F21S  
8/02; F21S 8/026  
See application file for complete search history.

(56) **References Cited**

**U.S. PATENT DOCUMENTS**

D541,456 S \* 4/2007 Kosche ..... D26/63  
D566,873 S \* 4/2008 Grundl ..... D26/63  
D587,832 S \* 3/2009 Bergmann ..... D26/63  
7,762,688 B2 \* 7/2010 Dixon ..... F21V 21/30  
362/287

D779,701 S \* 2/2017 Lazalier ..... D26/74

\* cited by examiner

*Primary Examiner* — Brian N. Vinson  
(74) *Attorney, Agent, or Firm* — Browdy and Neimark,  
P.L.L.C.

(57) **CLAIM**

The ornamental design for a lighting apparatus (lighting apparatus), as shown and described.

**DESCRIPTION**

FIG. 1 is a front perspective view of a lighting apparatus (lighting apparatus) according to the present design;  
FIG. 2 is a top perspective view of  
FIG. 3 is a rear perspective view thereof;  
FIG. 4 is a rear bottom perspective view thereof;  
FIG. 5 is a front view thereof;  
FIG. 6 is a rear view thereof;  
FIG. 7 is a right side view thereof;  
FIG. 8 is a left side view thereof;  
FIG. 9 is a top plan view thereof,  
FIG. 10 is a bottom plan view thereof,  
FIG. 11 is a cross-sectional view along the lines 1-1 as shown in FIG. 6,  
FIG. 12 is a cross-sectional view along the lines 2-2 as shown in FIG. 6,  
FIG. 13 is a cross-sectional view along the lines 3-3 as shown in FIG. 6,  
FIG. 14 is a cross-sectional view along the lines 4-4 as shown in FIG. 6; and,  
FIG. 15 is a plan view of the lighting apparatus in use in a ceiling.  
The portions shown in broken lines do not form part of the claimed design.

**1 Claim, 15 Drawing Sheets**

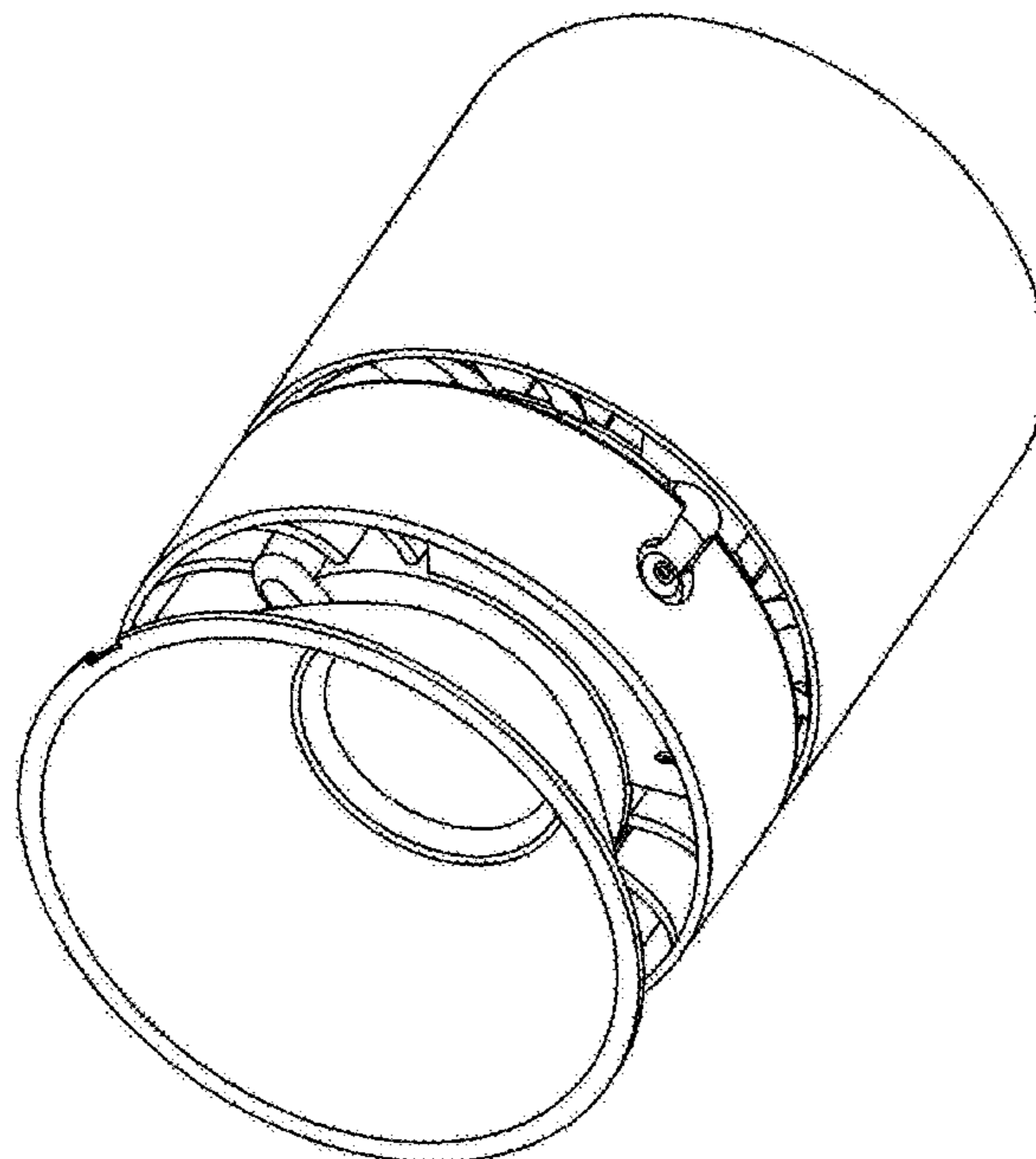


FIG. 1

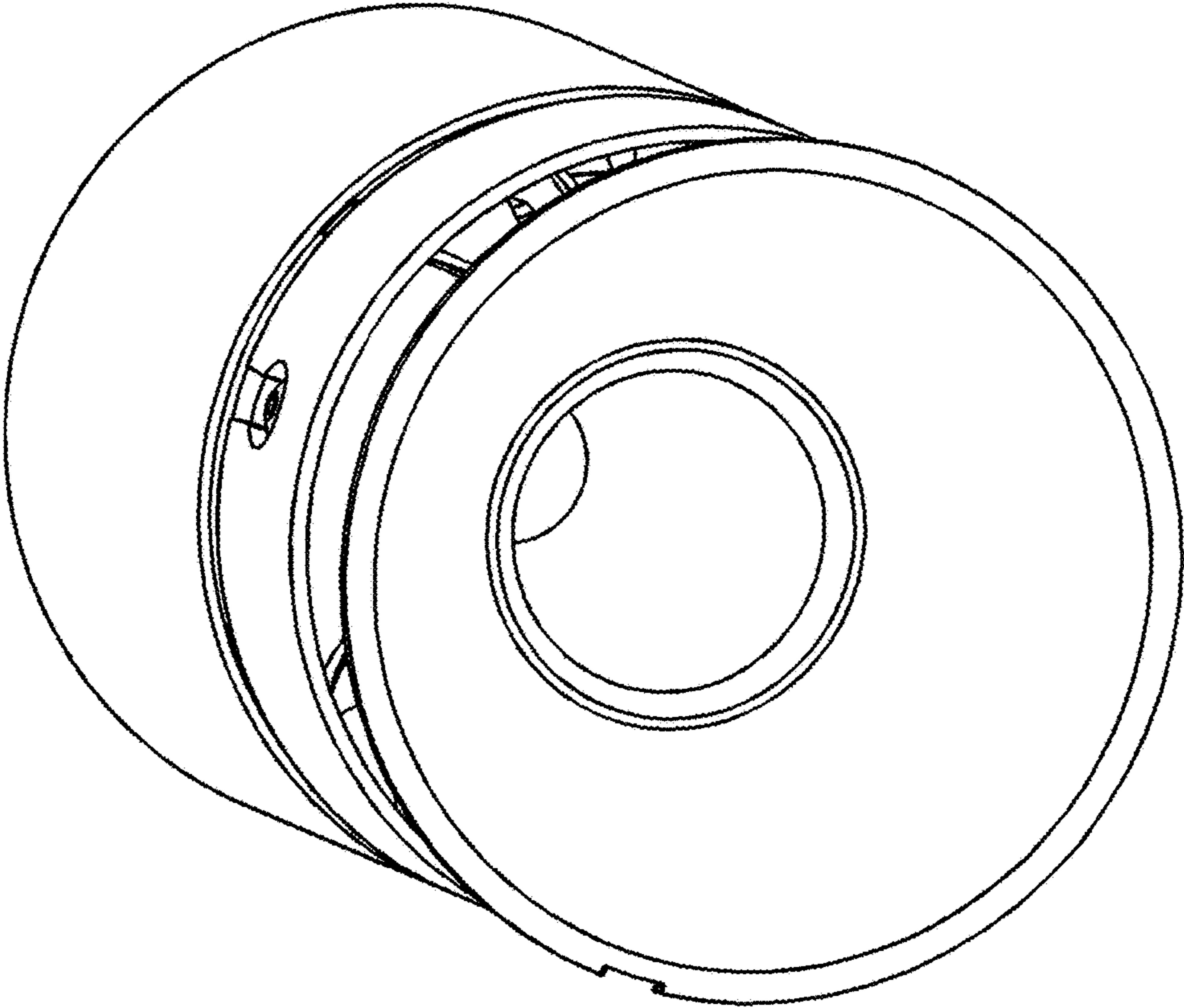


FIG. 2

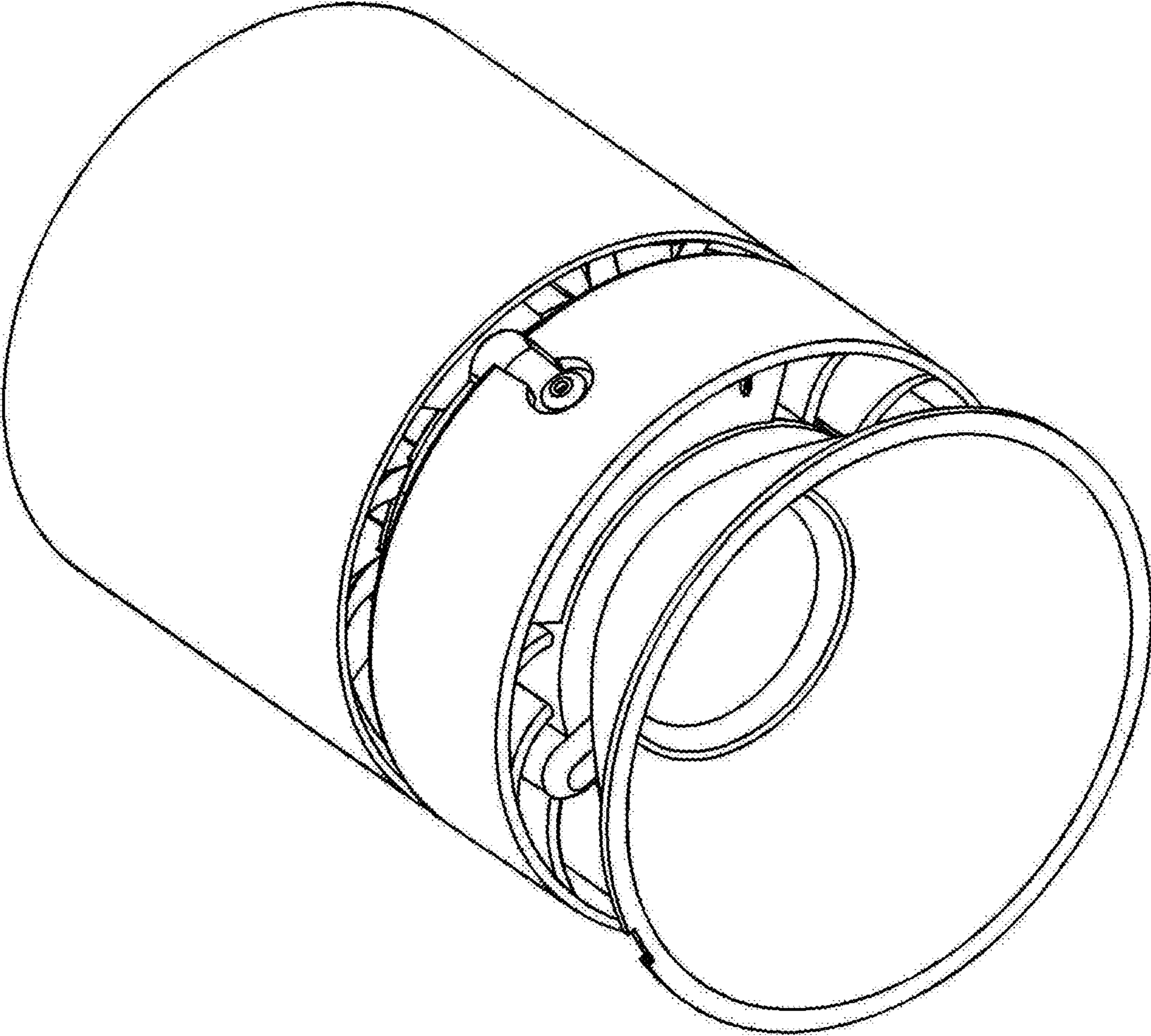


FIG. 3

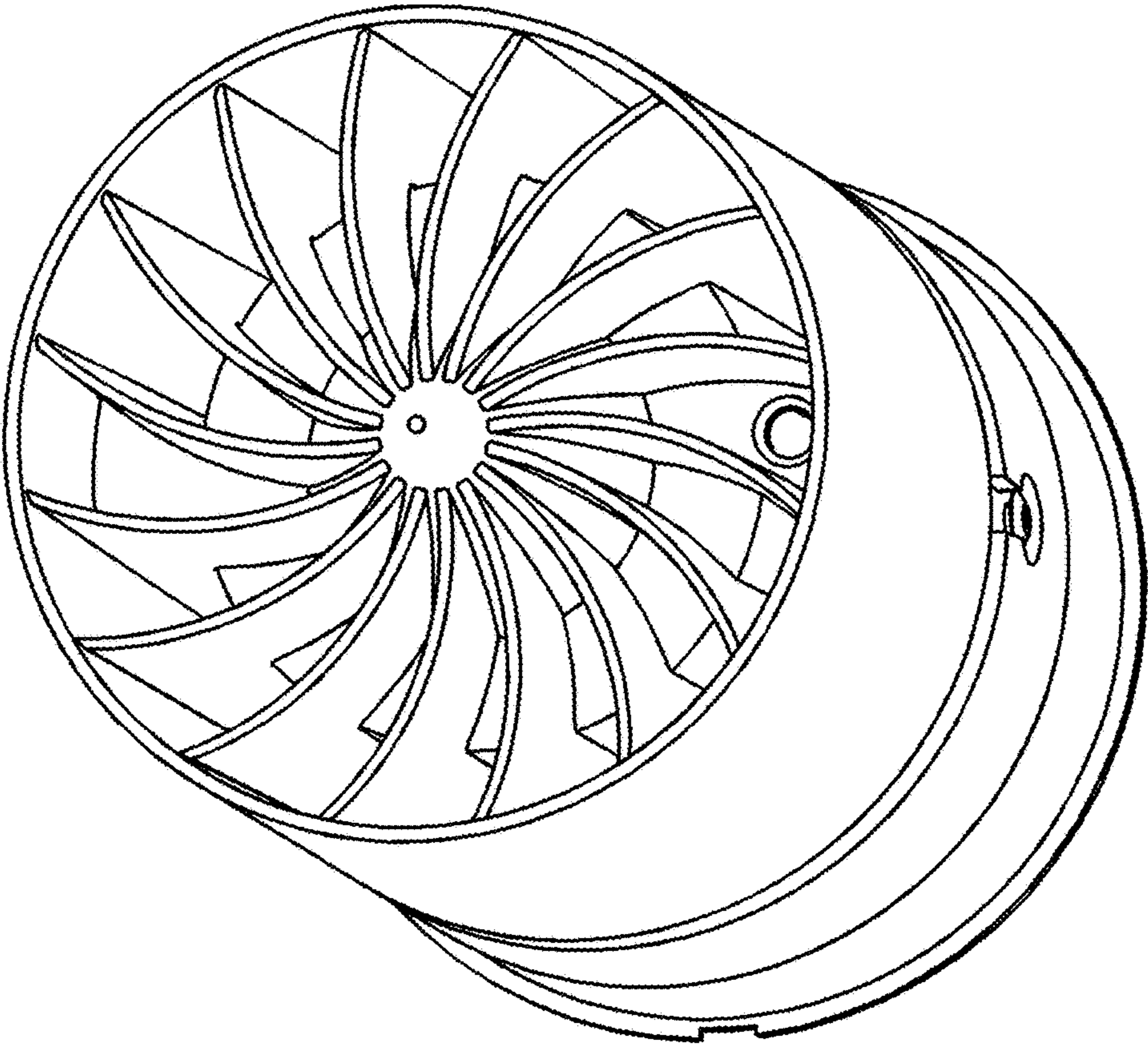




FIG. 4

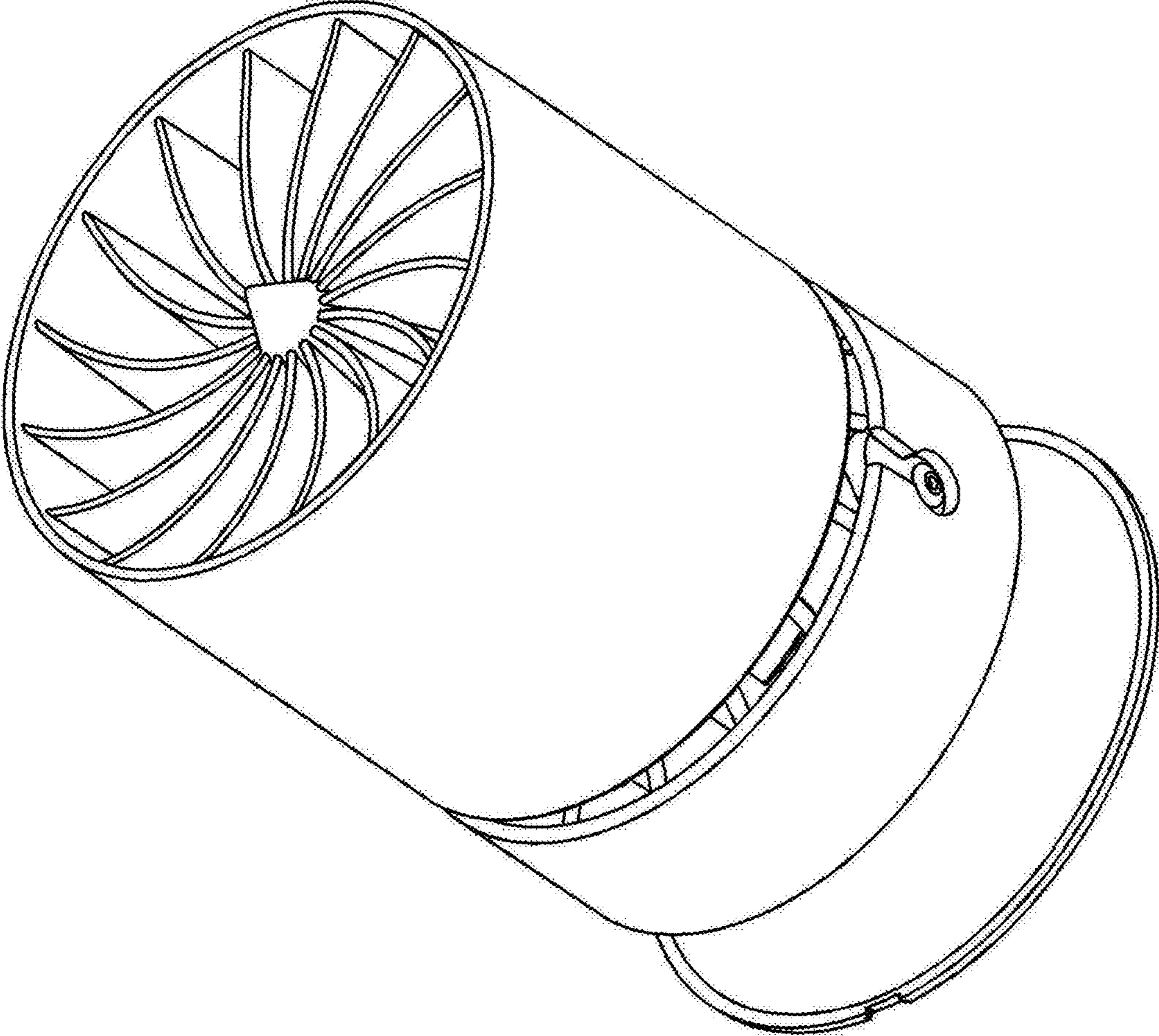


FIG. 5

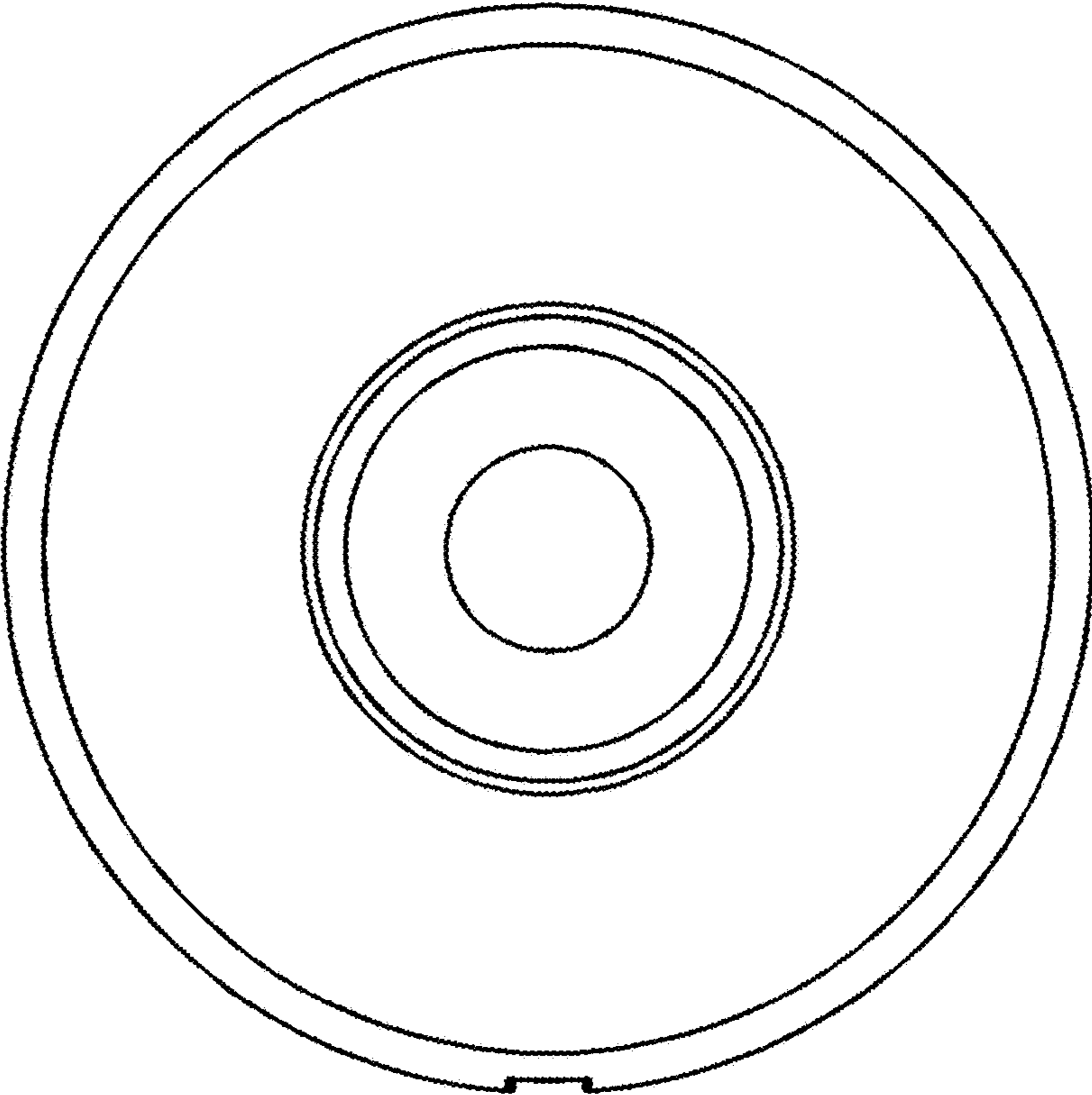


FIG. 6

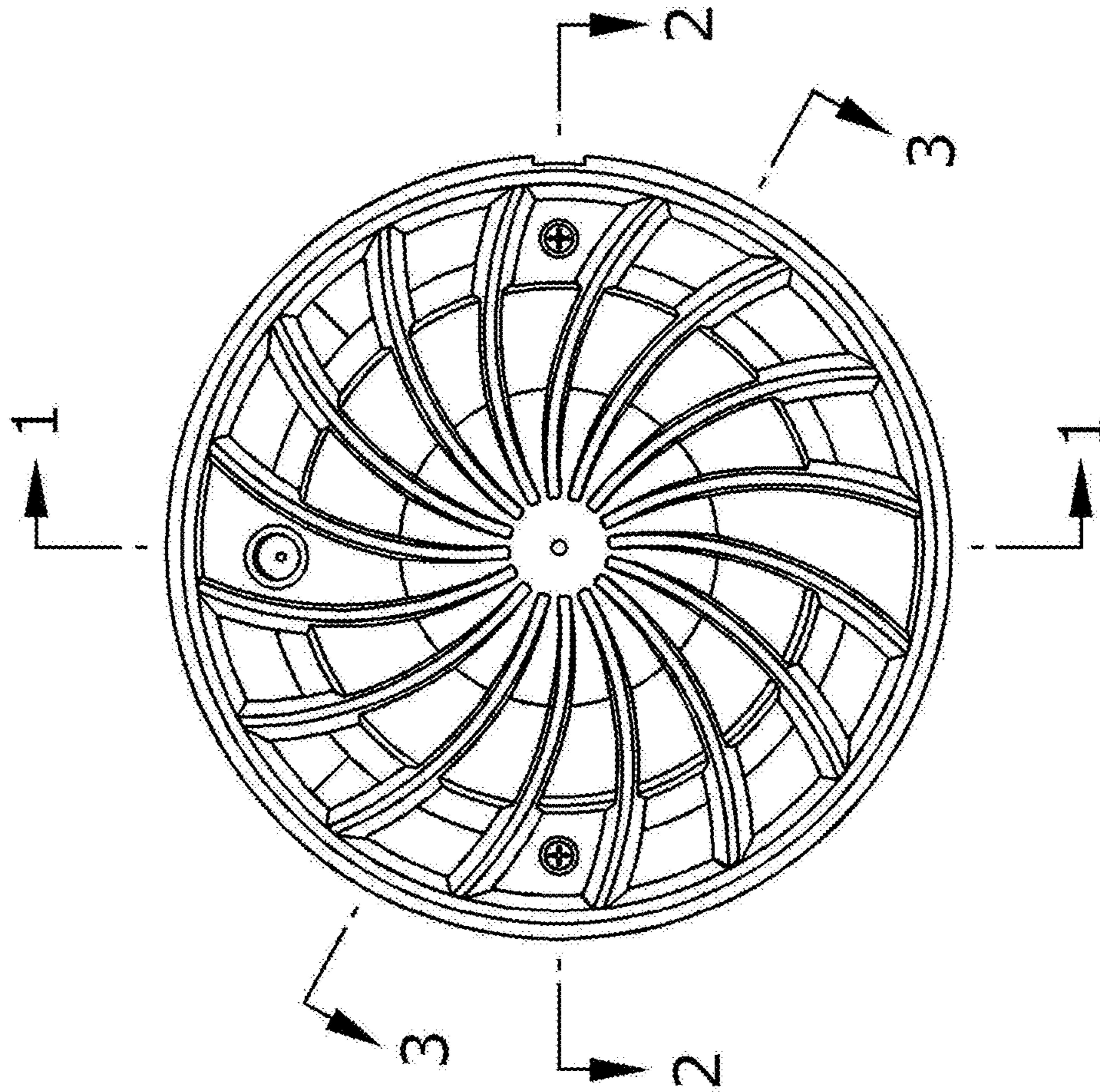


FIG. 7

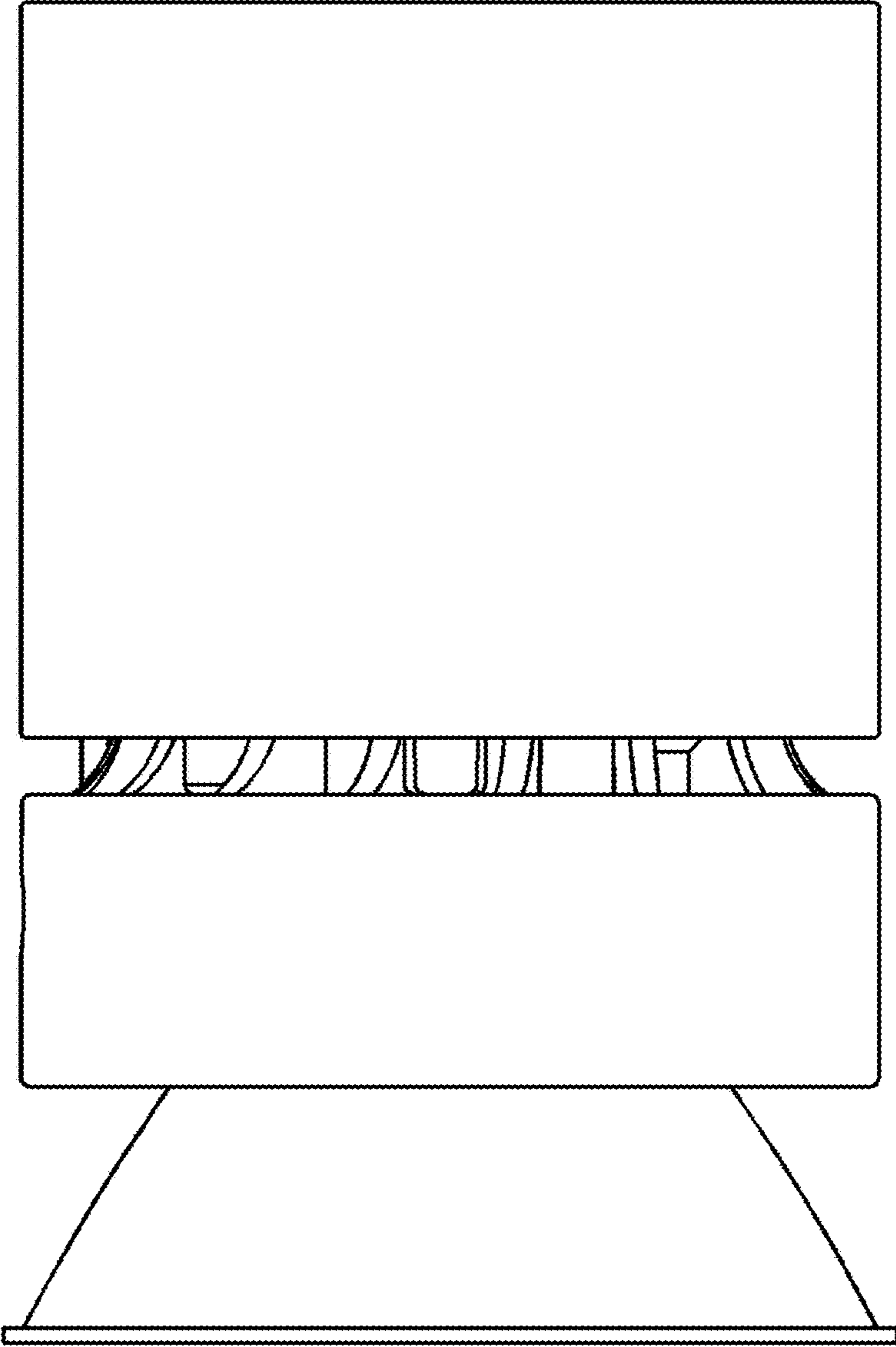




FIG. 8

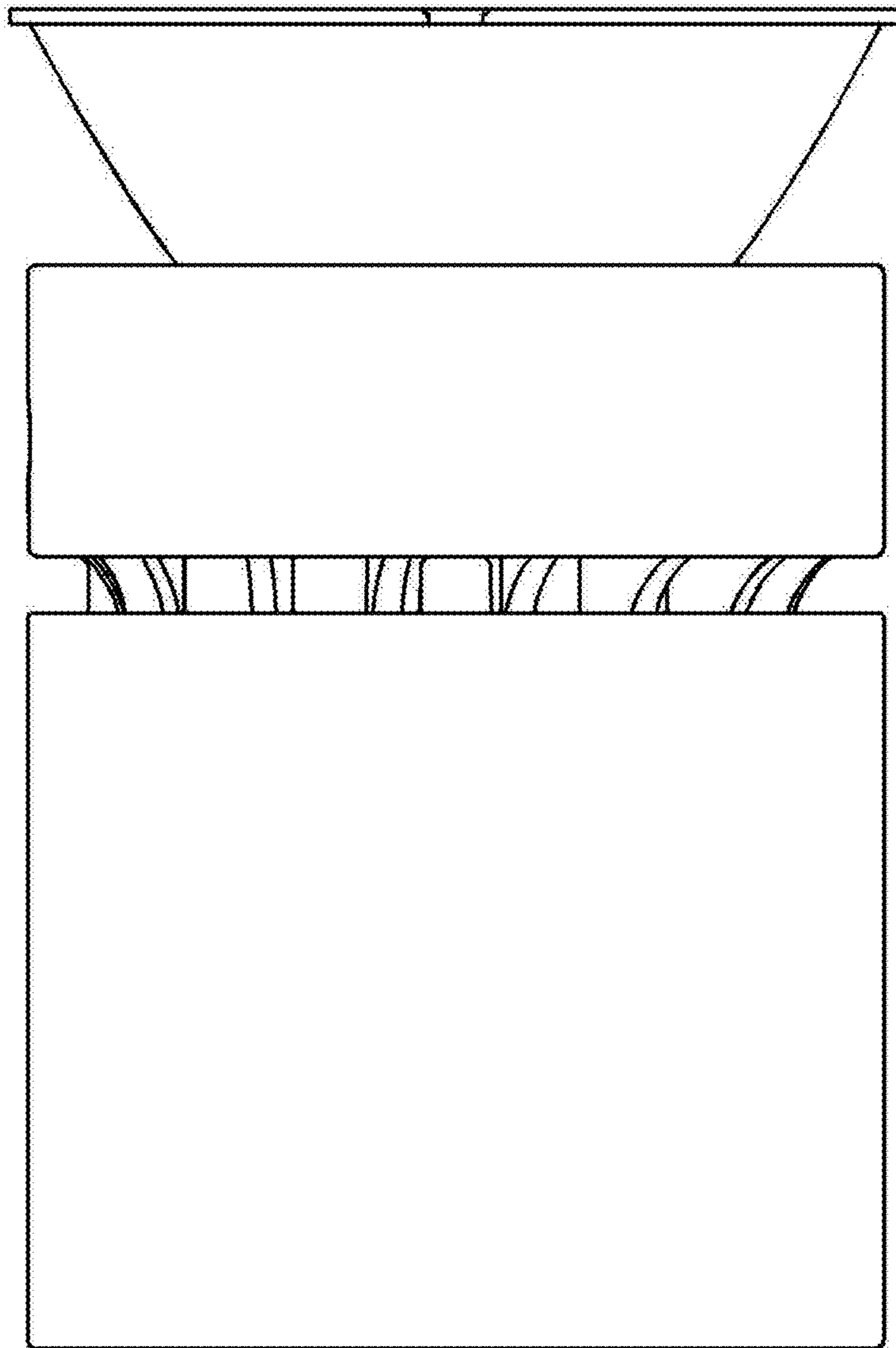


FIG. 9

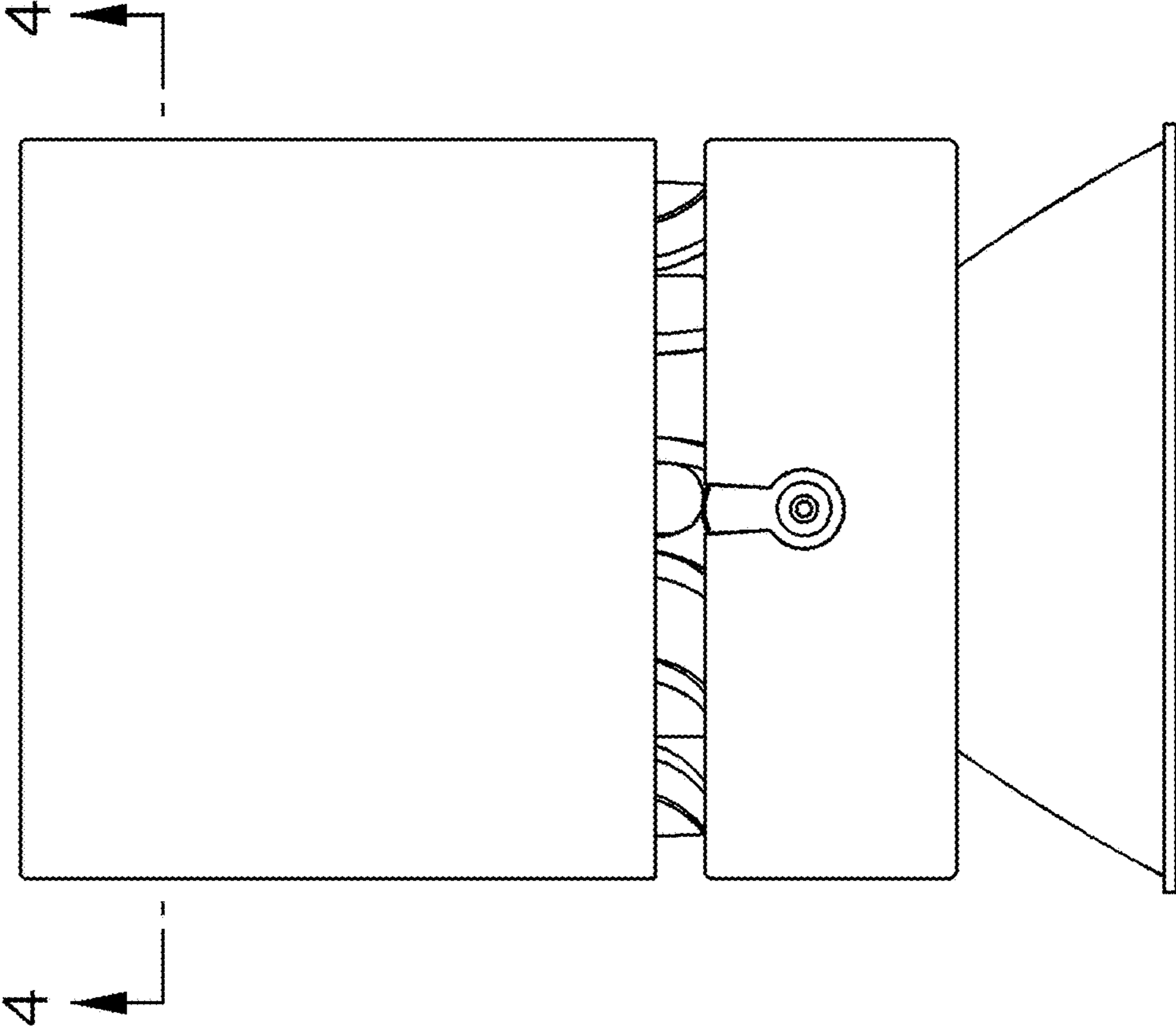


FIG. 10

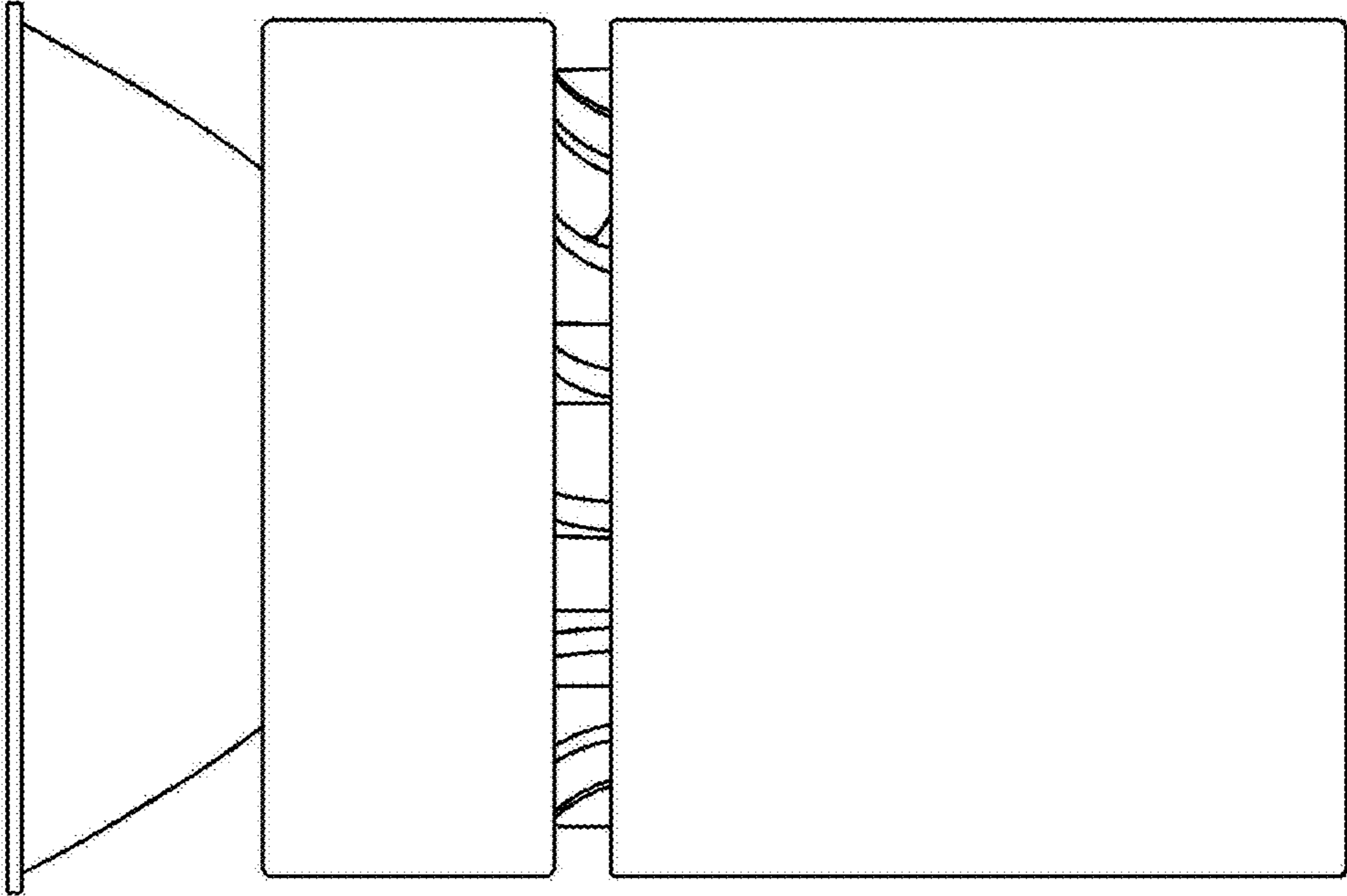


FIG. 11

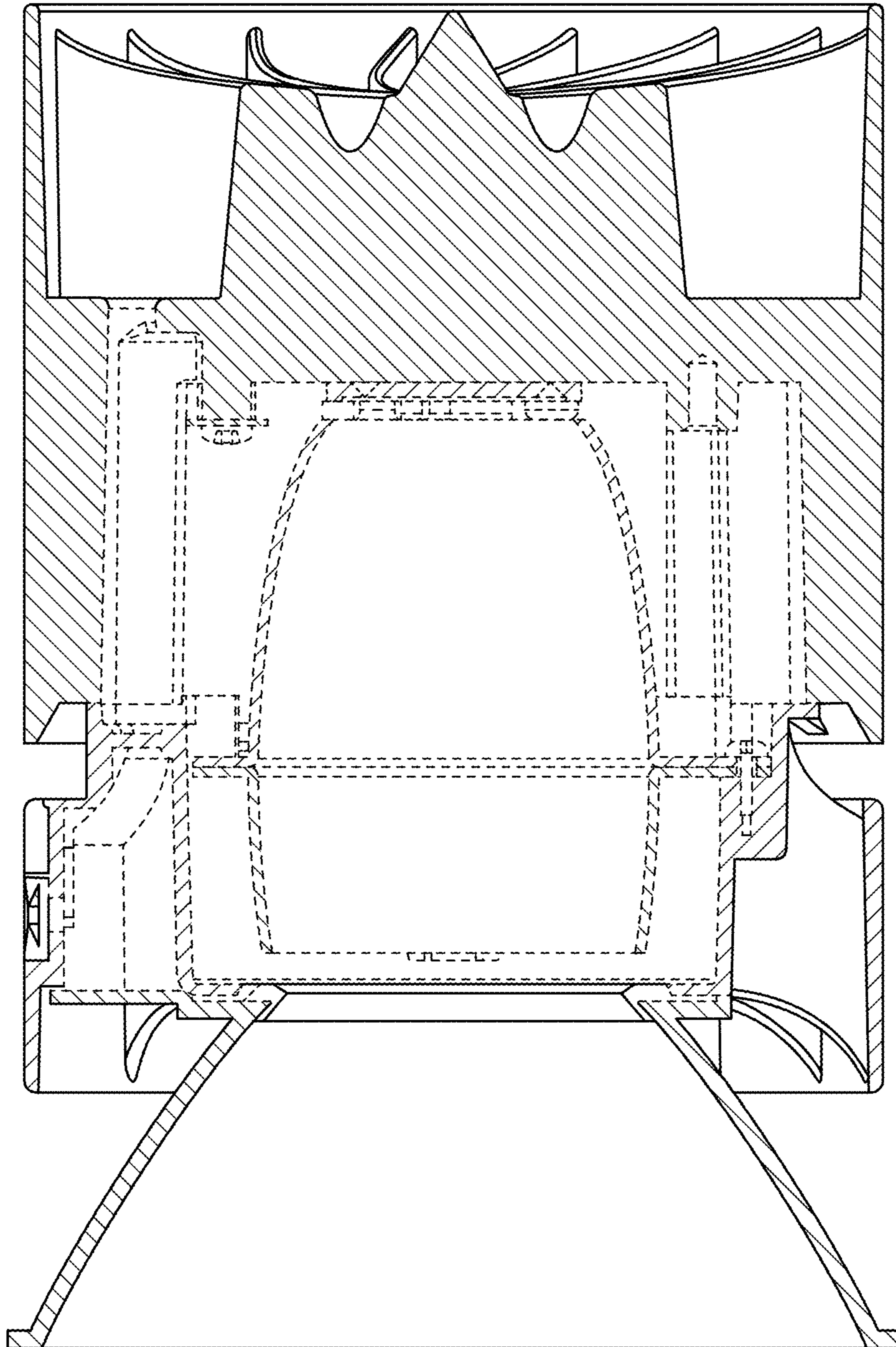




FIG. 12

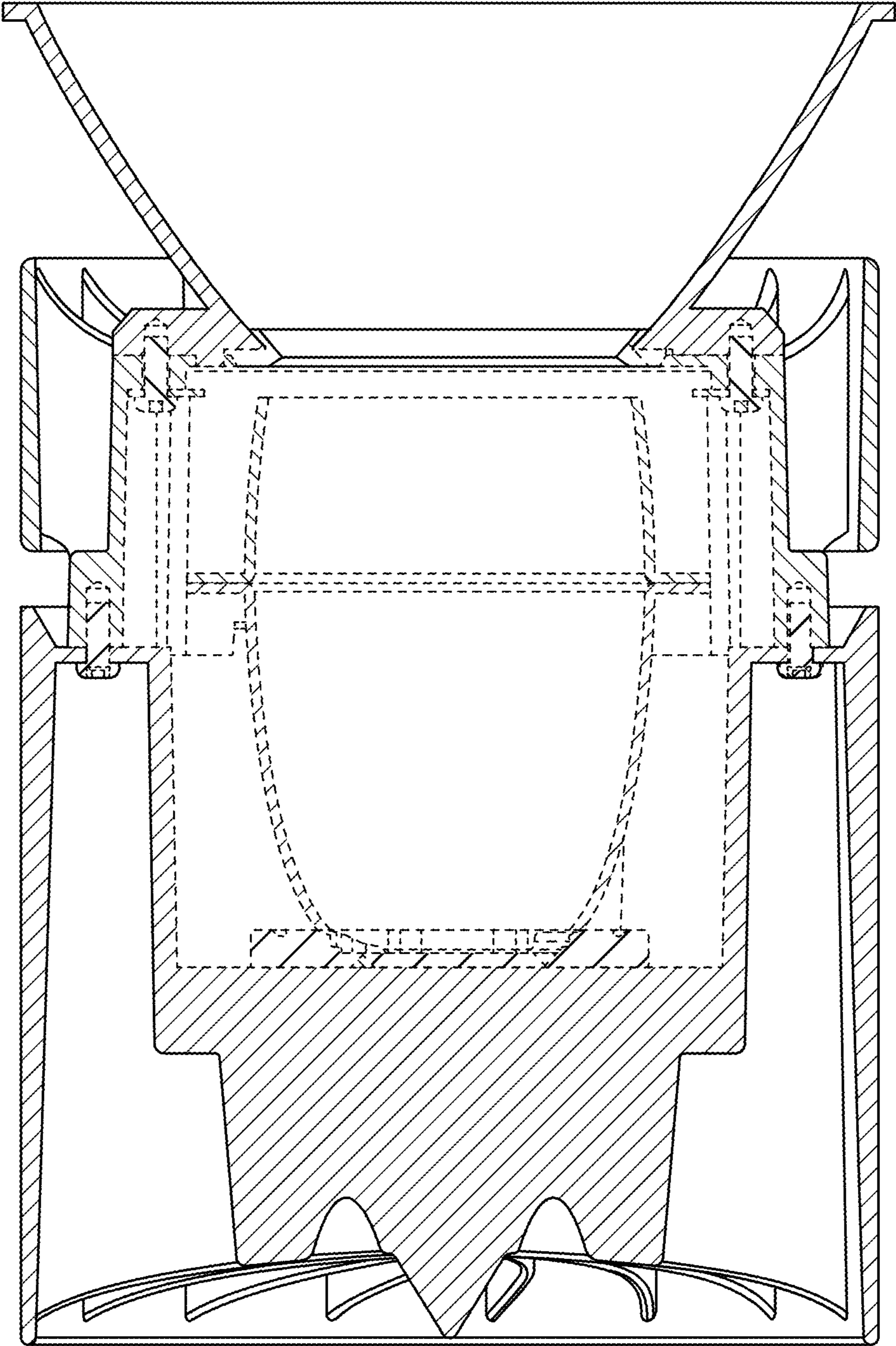


FIG. 13

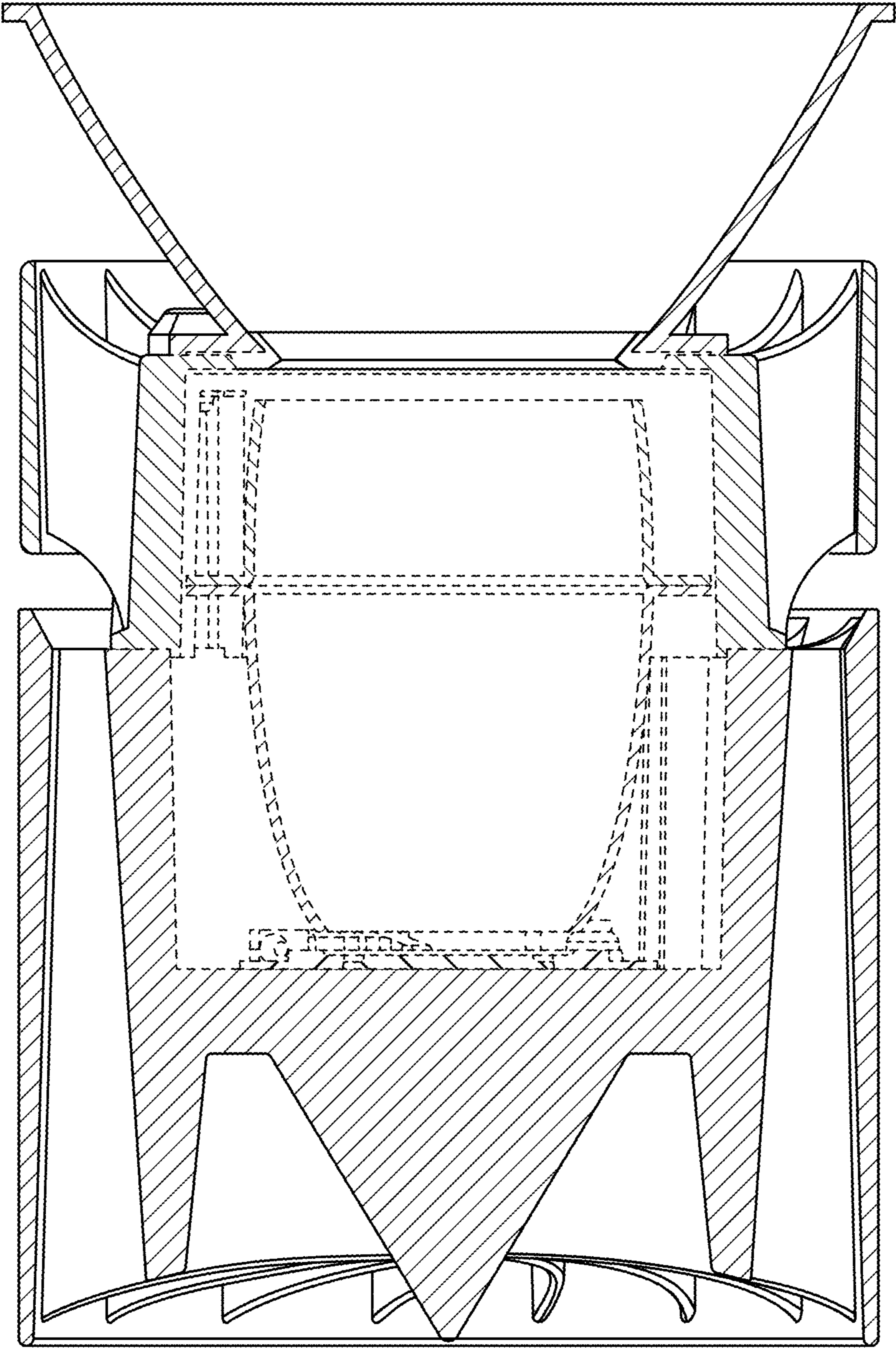


FIG. 14

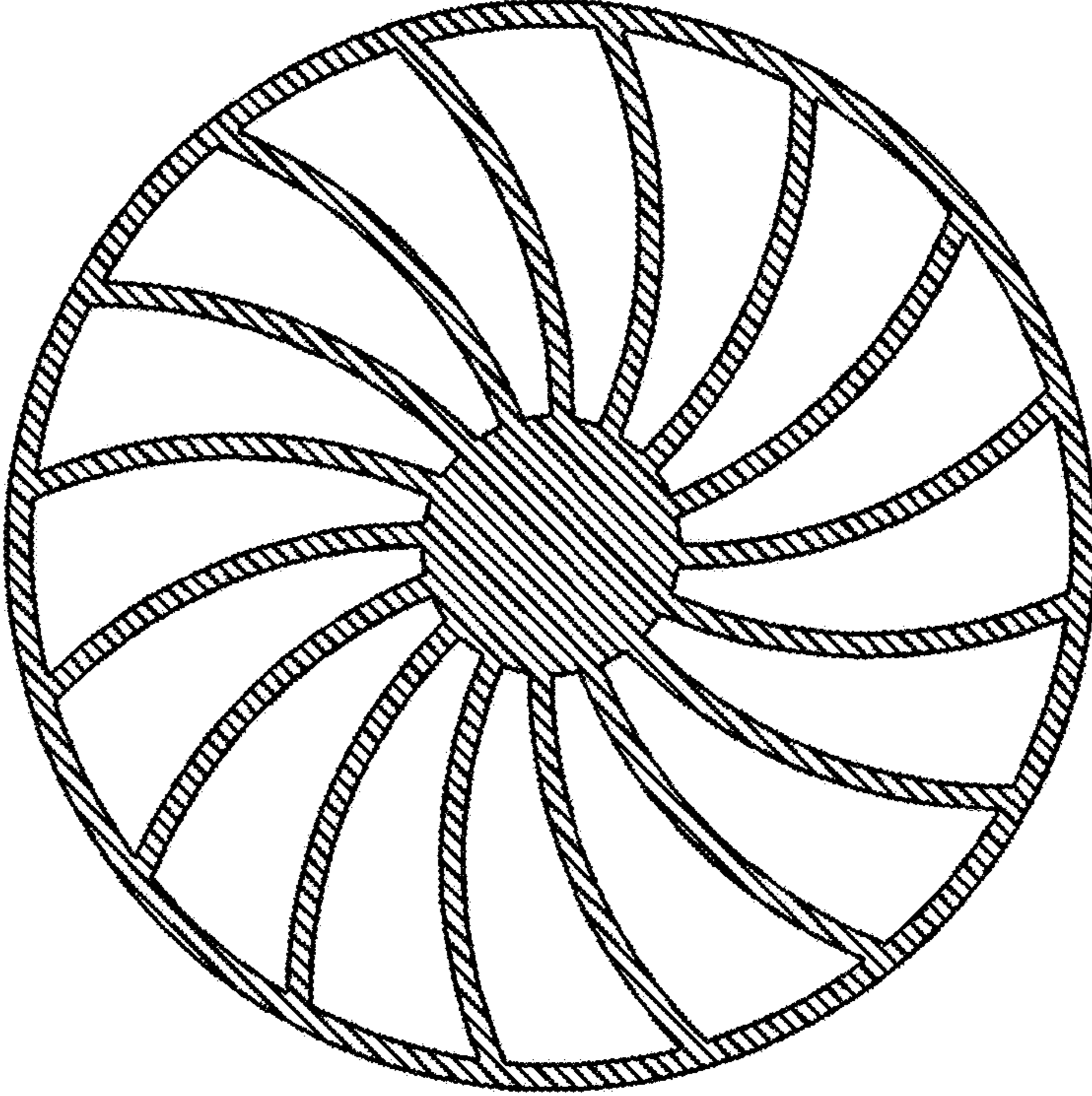


FIG. 15

