



US00D814098S

(12) **United States Design Patent**  
**Pina et al.**

(10) **Patent No.:** **US D814,098 S**  
(45) **Date of Patent:** **\*\* Mar. 27, 2018**

(54) **PORTABLE LIGHT**  
(71) Applicant: **TOMY International, Inc.**, Dyersville, IA (US)  
(72) Inventors: **Mariel Z. Pina**, Chandler, AZ (US); **Michael Joseph Bargiel**, Phoenix, AZ (US); **Casey L. Moore**, Mesa, AZ (US)  
(73) Assignee: **TOMY INTERNATIONAL, INC.**, Dyersville, IA (US)  
(\*\*) Term: **15 Years**

5,203,627 A \* 4/1993 Kira ..... F21V 15/01  
362/285  
D368,149 S \* 3/1996 Yu ..... D26/105  
D563,594 S \* 3/2008 Held ..... D26/110  
D572,860 S \* 7/2008 Demarest ..... D26/104  
D647,243 S \* 10/2011 Kong ..... D26/93  
D773,106 S \* 11/2016 Feit ..... D26/110  
D795,490 S \* 8/2017 Chen ..... D26/110

\* cited by examiner

*Primary Examiner* — Brian N. Vinson  
(74) *Attorney, Agent, or Firm* — Lando & Anastasi, LLP

(21) Appl. No.: **29/578,528**  
(22) Filed: **Sep. 22, 2016**  
(51) **LOC (11) Cl.** ..... **26-03**  
(52) **U.S. Cl.**  
USPC ..... **D26/106**  
(58) **Field of Classification Search**  
USPC ..... D26/24, 93, 95, 104, 106, 110, 112, 105  
CPC .... F21S 6/00; F21S 6/002; F21S 6/004; F21S  
6/008; F21S 8/08; F21V 21/00; F21V  
21/02; F21W 2131/30  
See application file for complete search history.

(57) **CLAIM**

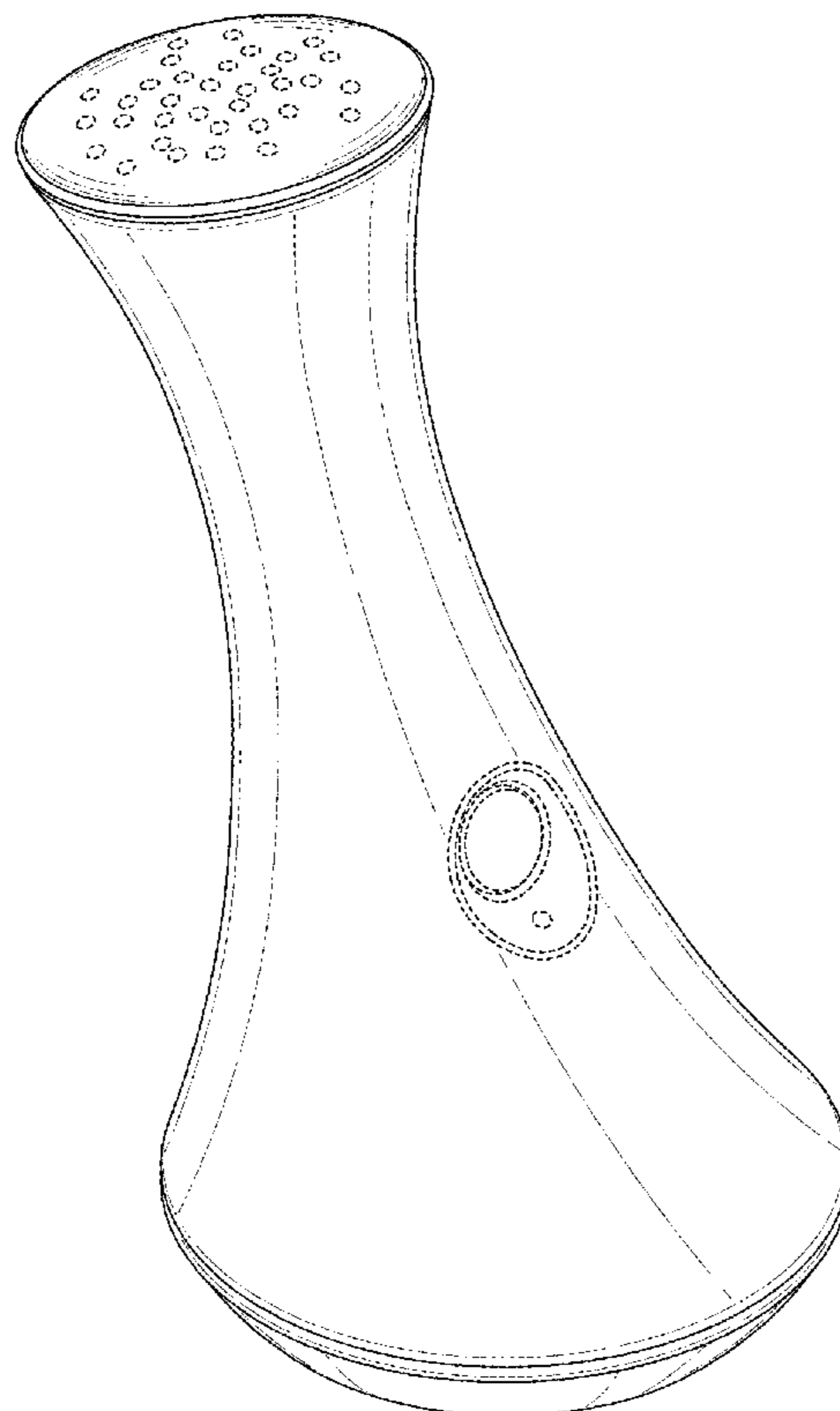
The ornamental design for a portable light, as shown and described.

**DESCRIPTION**

FIG. 1 is a perspective view of a portable light design; FIG. 2 is a front elevational view thereof; FIG. 3 is a rear elevational view thereof; FIG. 4 is a left side view thereof; FIG. 5 is a right side view thereof; FIG. 6 is a top plan view thereof; and, FIG. 7 is a bottom plan view thereof. The broken line disclosure represents portions of the portable light which form no part of the claimed design.

(56) **References Cited**  
U.S. PATENT DOCUMENTS  
D172,656 S \* 7/1954 Borowitz ..... D26/110  
D280,444 S \* 9/1985 Boss ..... D26/110

**1 Claim, 7 Drawing Sheets**



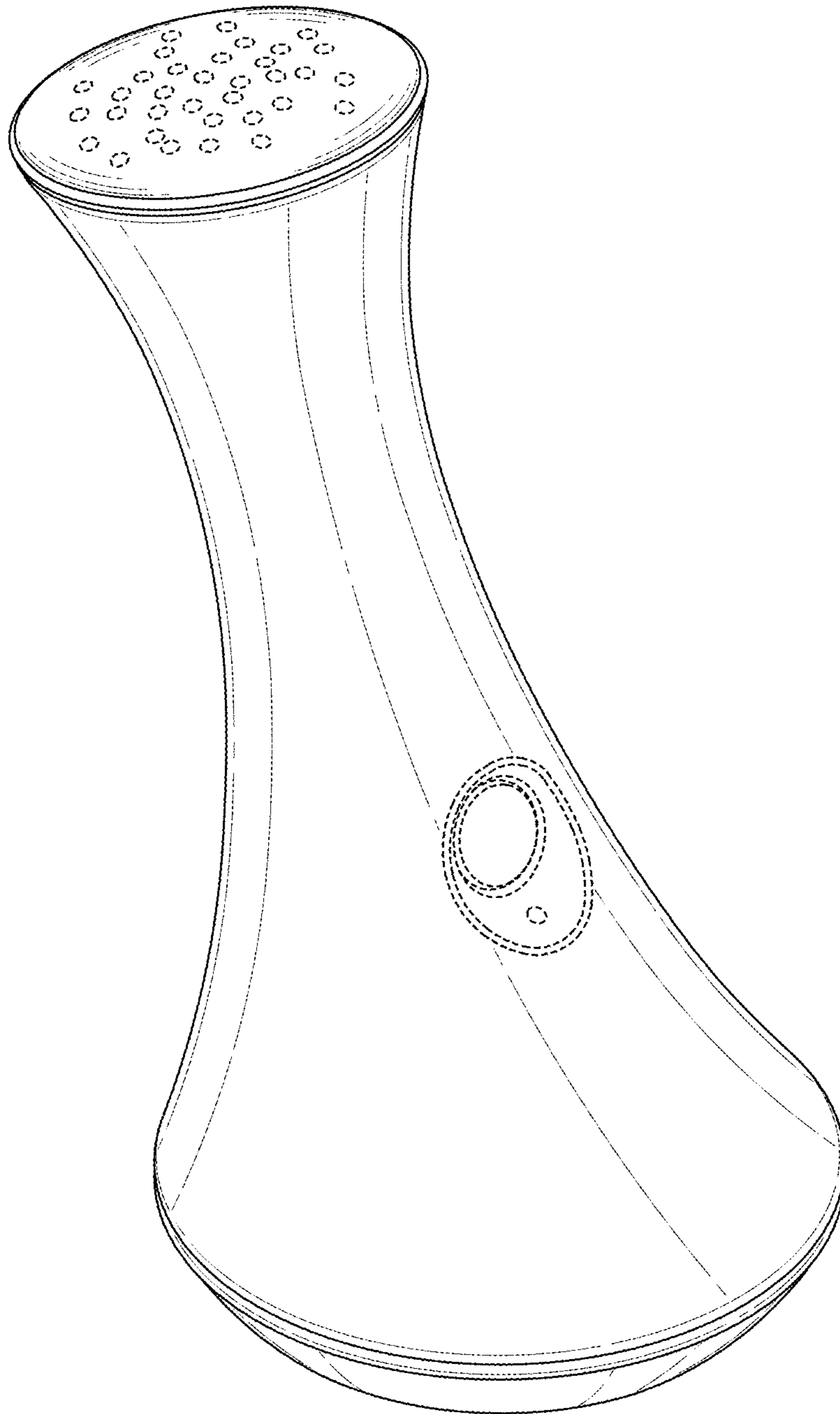


FIG. 1

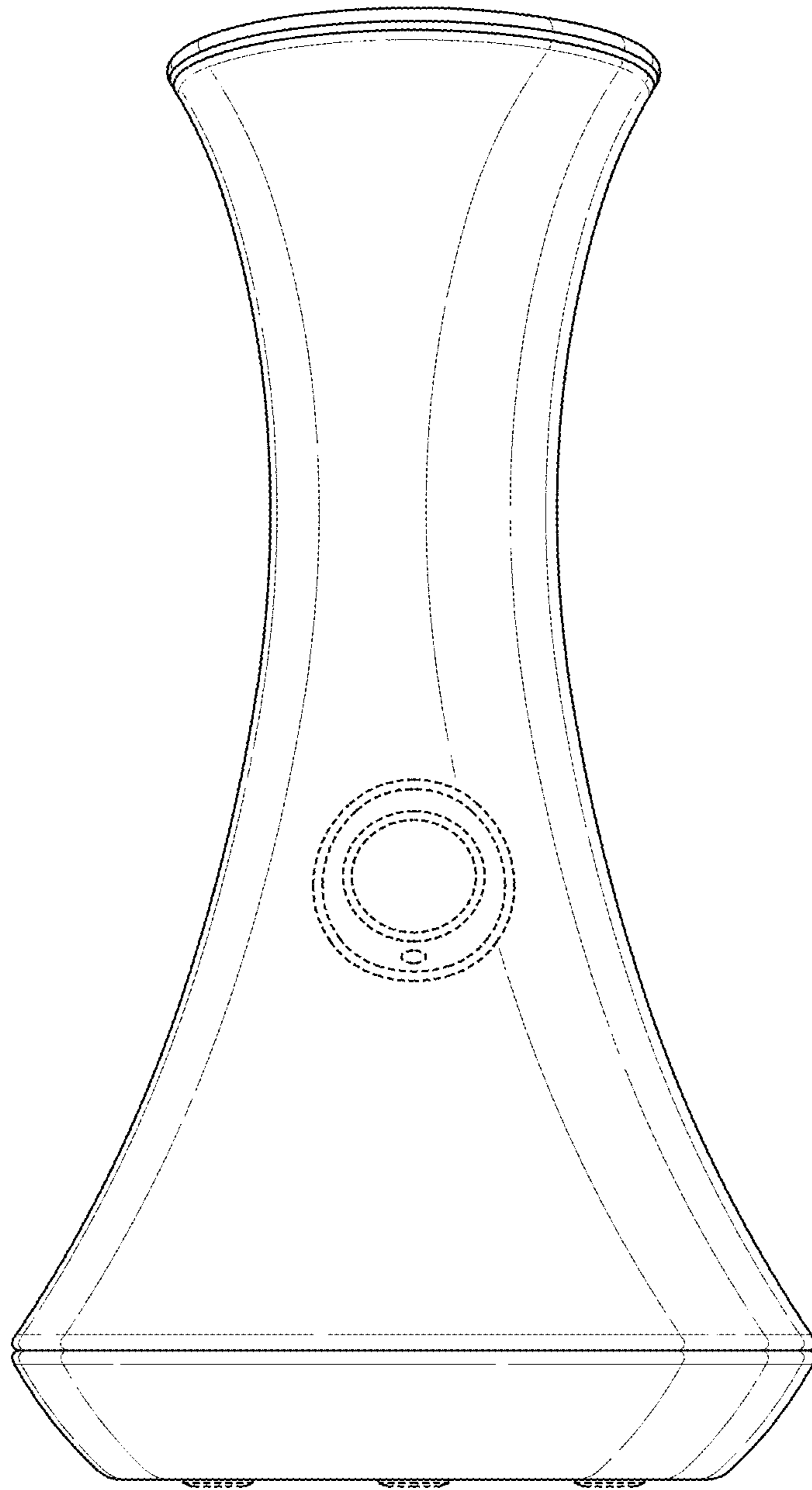


FIG. 2

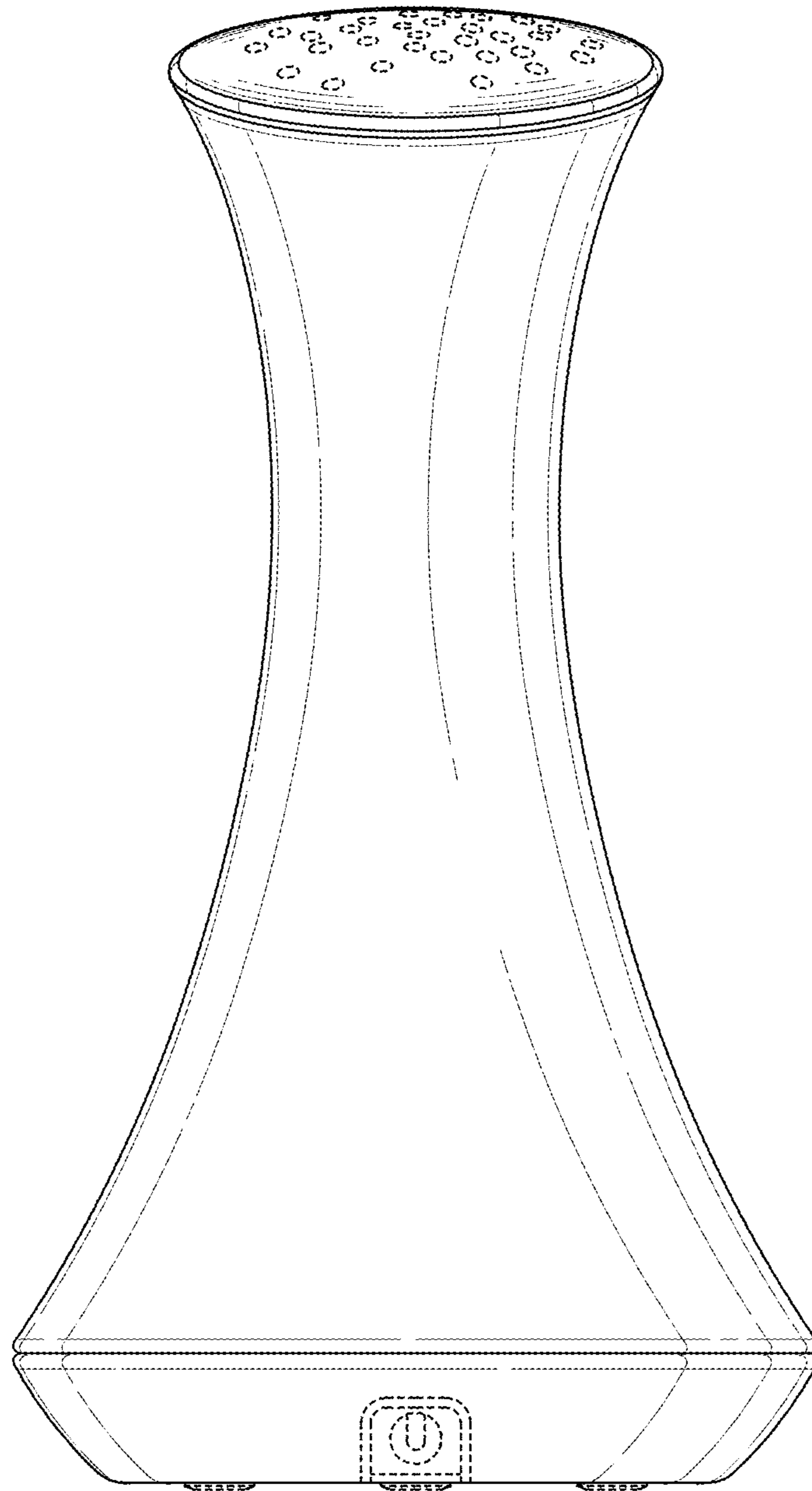


FIG. 3

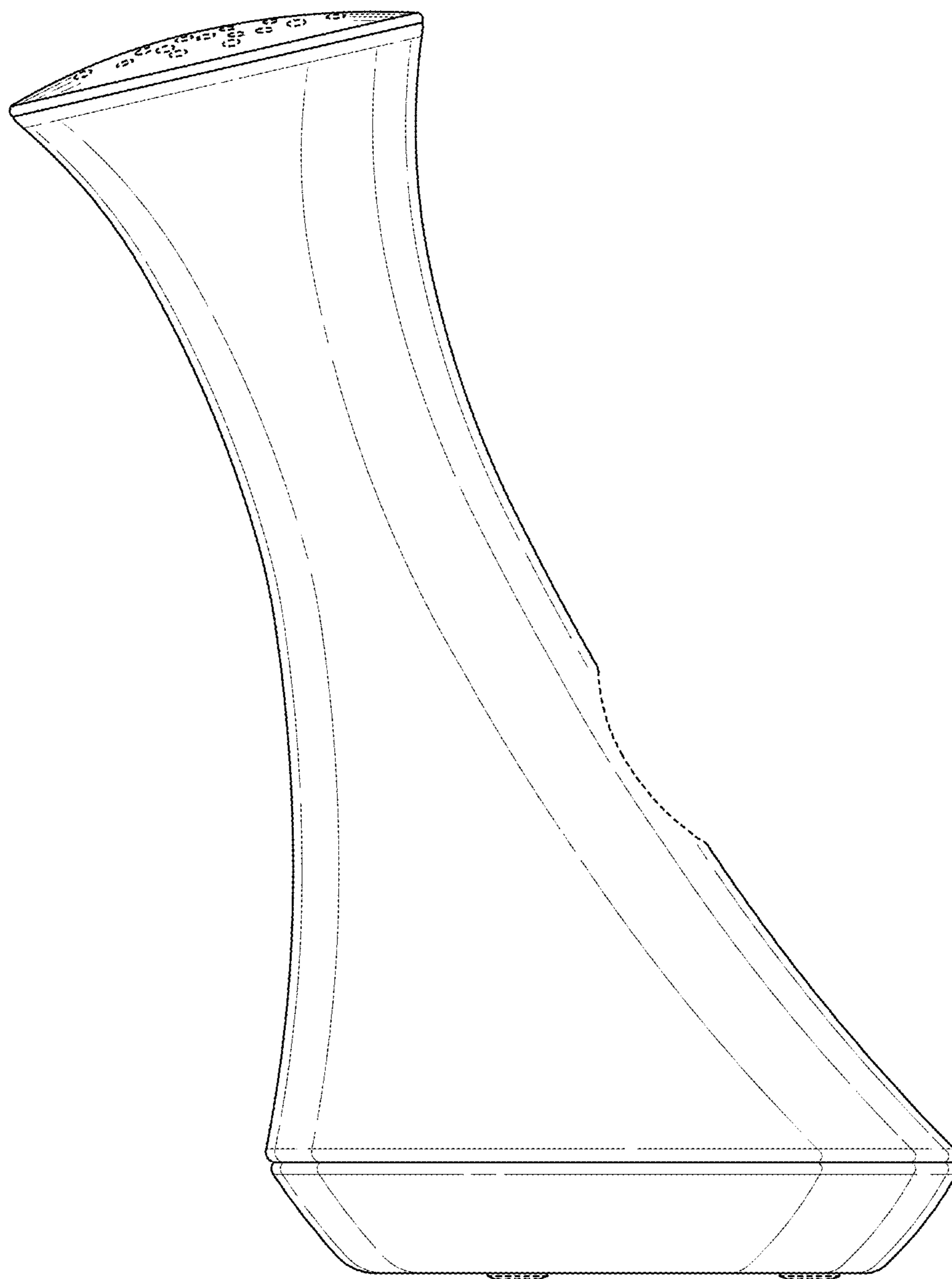


FIG. 4

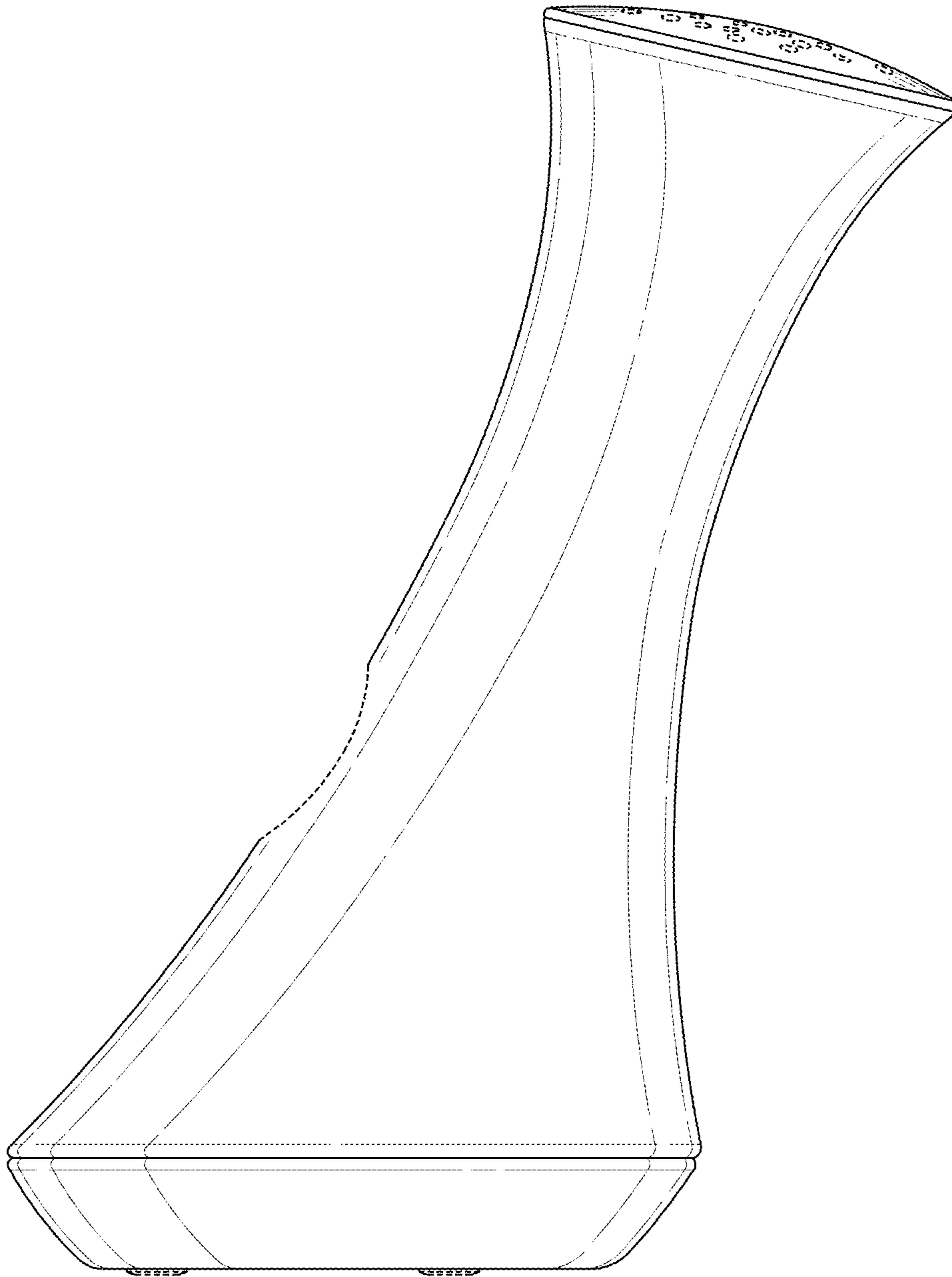


FIG. 5

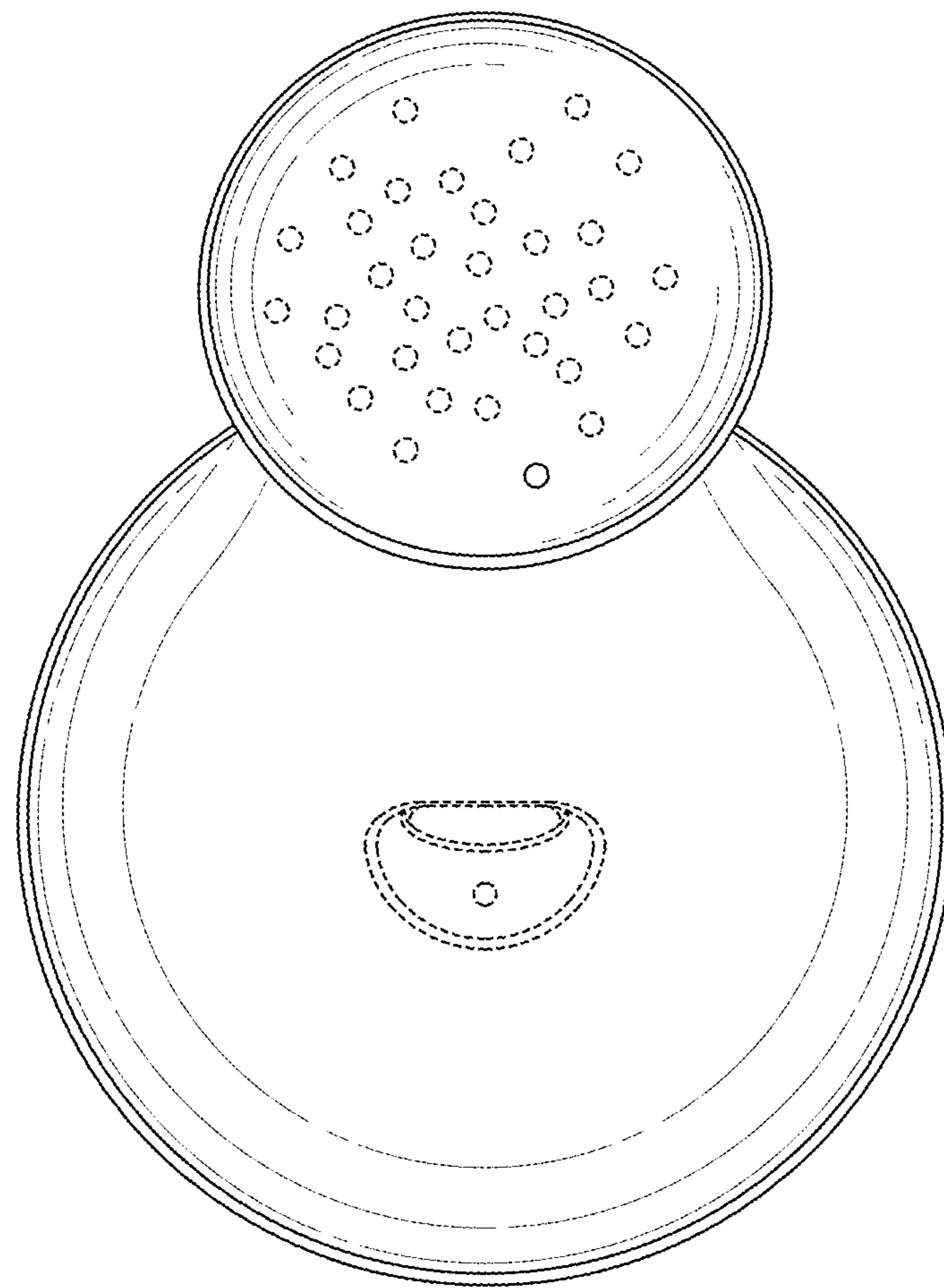


FIG. 6

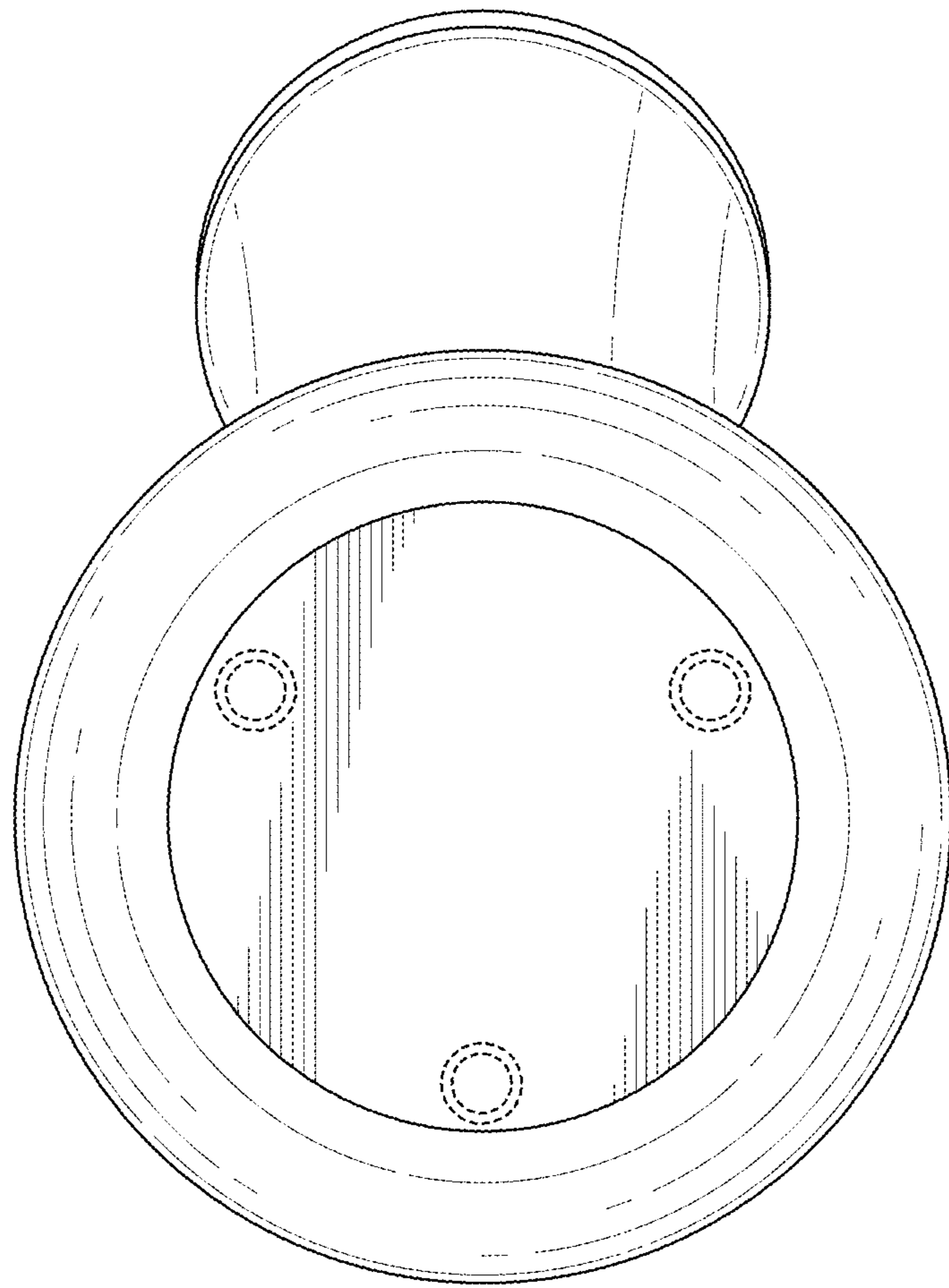


FIG. 7