



US00D814097S

(12) **United States Design Patent**
Hewitt et al.

(10) **Patent No.:** **US D814,097 S**
(45) **Date of Patent:** **** Mar. 27, 2018**

(54) **ROUND LUMINAIRE**

(71) Applicants: **Courtney P. Hewitt**, Charlestown, MA (US); **Matthew Parker**, Lee, NH (US); **Yvetta Pols Sandhu**, Winchester, MA (US)

(72) Inventors: **Courtney P. Hewitt**, Charlestown, MA (US); **Matthew Parker**, Lee, NH (US); **Yvetta Pols Sandhu**, Winchester, MA (US)

(73) Assignee: **OSRAM SYLVANIA Inc.**, Wilmington, MA (US)

(**) Term: **15 Years**

(21) Appl. No.: **29/564,093**

(22) Filed: **May 10, 2016**

Related U.S. Application Data

(62) Division of application No. 29/491,873, filed on May 27, 2014, now Pat. No. Des. 759,877.

(51) **LOC (11) Cl.** **26-03**

(52) **U.S. Cl.**
USPC **D26/89**

(58) **Field of Classification Search**
USPC D26/72, 80, 82, 83, 84, 85, 86, 89, 118, D26/120, 128-137

CPC F21S 8/03; F21S 8/033; F21S 8/04; F21V 3/04; F21V 3/0418; F21V 3/0427; F21V 3/0436; F21V 3/0445; F21V 21/02; F21V 21/03; F21V 29/506; F21V 3/049; F21V 5/045; F21V 7/04; F21V 11/06

See application file for complete search history.

(56) **References Cited**

U.S. PATENT DOCUMENTS

D50,208 S * 1/1917 Peck D26/131
D63,886 S * 2/1924 Dickerson D26/132

D67,028 S * 4/1925 Grant D26/132
D75,637 S * 6/1928 Moore D26/132
D79,999 S * 11/1929 Tillson D26/132
1,781,729 A * 11/1930 Major F21V 17/18
292/114
D190,827 S * 7/1961 Phillips D26/89
4,866,329 A * 9/1989 Ferenc B60Q 1/2611
313/113
5,491,618 A * 2/1996 Vakil F21V 3/00
362/147

(Continued)

Primary Examiner — Clare E Heflin

(74) *Attorney, Agent, or Firm* — Shaun P. Montana

(57) **CLAIM**

The ornamental design for a round luminaire, as shown and described.

DESCRIPTION

FIG. 1 is a perspective view of another embodiment of the ornamental design of the round luminaire.

FIG. 2 is a bottom view of the embodiment of the ornamental design of the round luminaire of FIG. 1.

FIG. 3 is a side view of the embodiment of the ornamental design of the round luminaire of FIG. 1.

FIG. 4 is a front/back view of the embodiment of the ornamental design of the round luminaire of FIG. 1.

FIG. 5 is a perspective view of another embodiment of the ornamental design of the round luminaire.

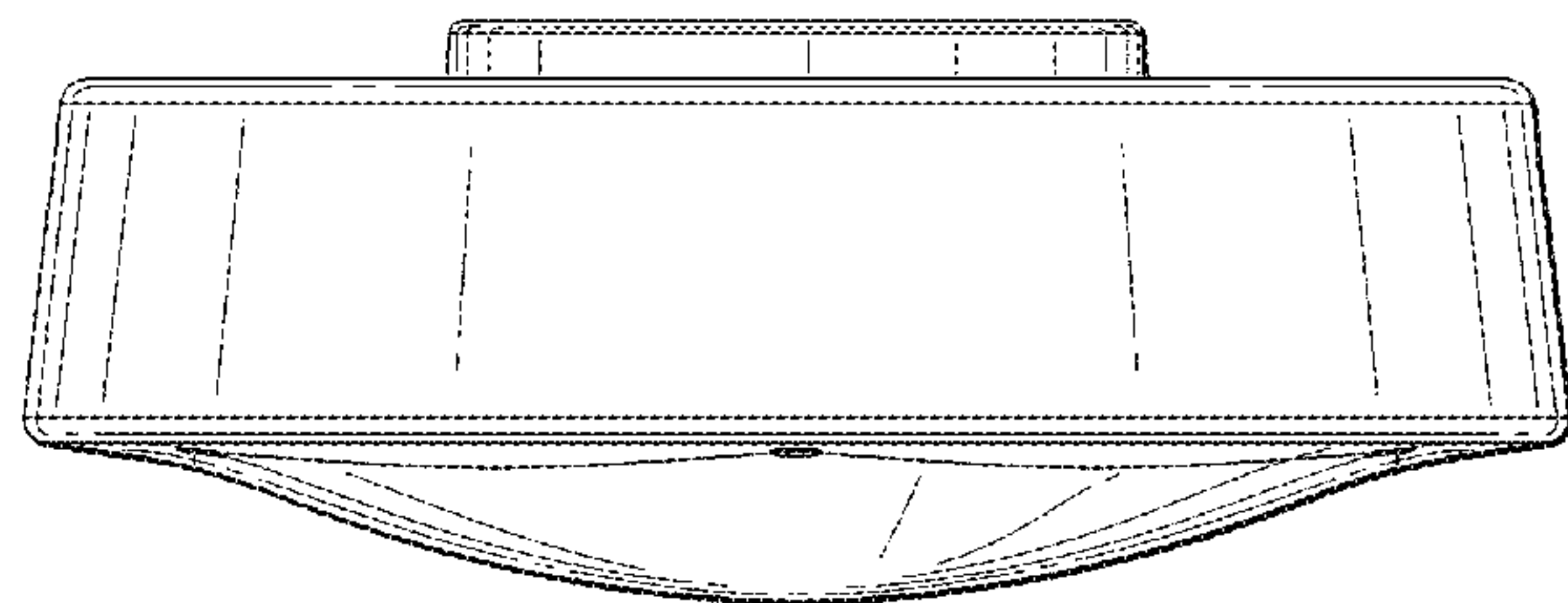
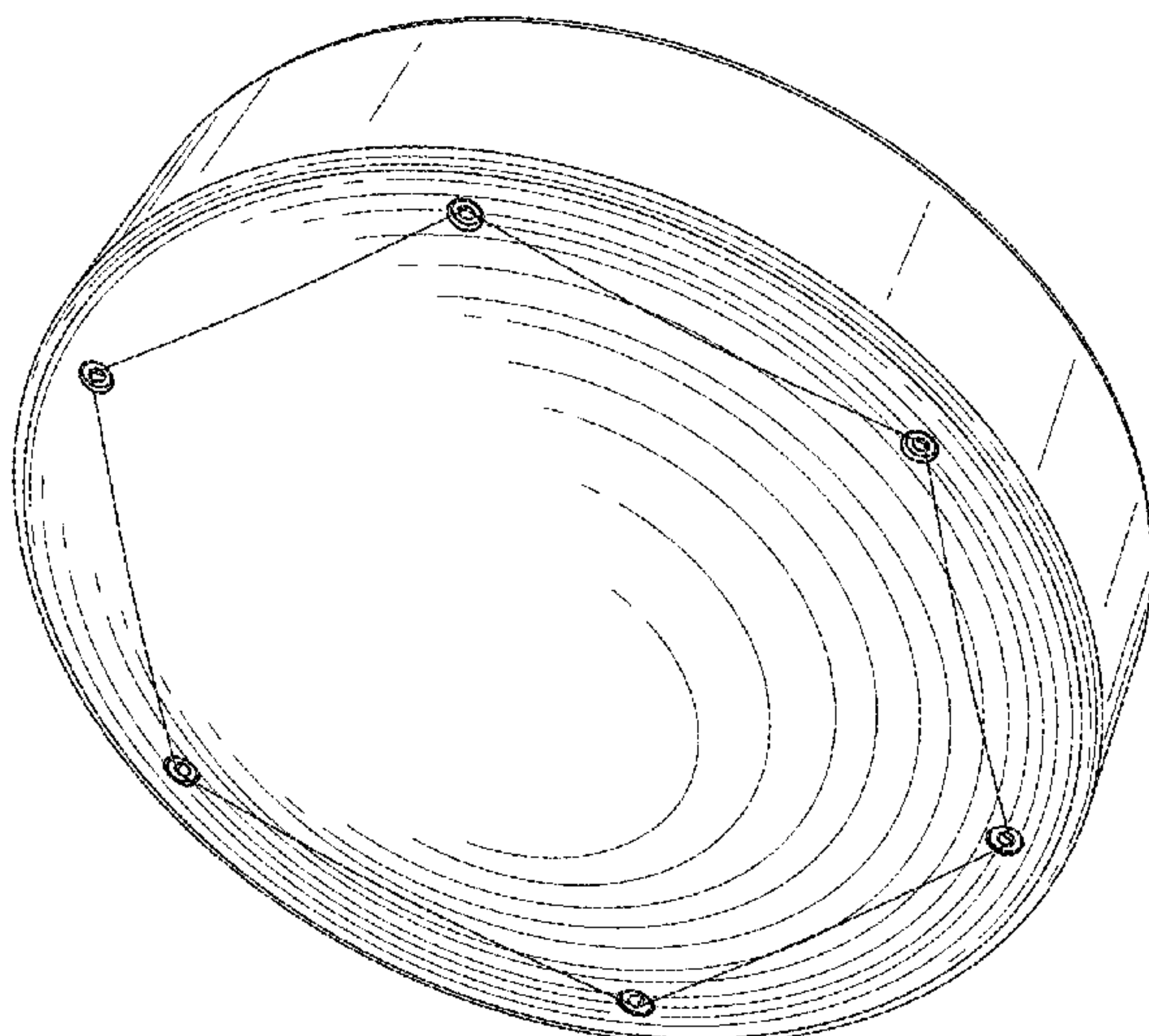
FIG. 6 is a bottom view of the embodiment of the ornamental design of the round luminaire of FIG. 5.

FIG. 7 is a side view of the embodiment of the ornamental design of the round luminaire of FIG. 5; and,

FIG. 8 is a front/back view of the embodiment of the ornamental design of the round luminaire of FIG. 5.

The broken-line disclosure in the views is understood to represent portions of the article in which the claimed design is embodied, but which form no part of the claimed design.

1 Claim, 8 Drawing Sheets



(56)

References Cited

U.S. PATENT DOCUMENTS

| | | | | |
|-----------|------|--------|-------------------|-----------------------|
| 6,530,681 | B2 * | 3/2003 | Sieczkowski | F21S 8/04 362/147 |
| 7,237,924 | B2 * | 7/2007 | Martineau | F21V 5/045 362/231 |
| D549,385 | S * | 8/2007 | Lissoni | D26/89 |
| D617,485 | S * | 6/2010 | Hamilton | D26/67 |
| D641,517 | S * | 7/2011 | Sprengers | D26/89 |
| D689,236 | S * | 9/2013 | Wang | D26/59 |
| D727,549 | S * | 4/2015 | Wang | D26/85 |
| D727,552 | S * | 4/2015 | Stolte | D26/89 |
| D729,970 | S * | 5/2015 | Jepson | D26/89 |
| 9,022,600 | B2 * | 5/2015 | Mizuta | F21S 8/04 362/231 |

* cited by examiner

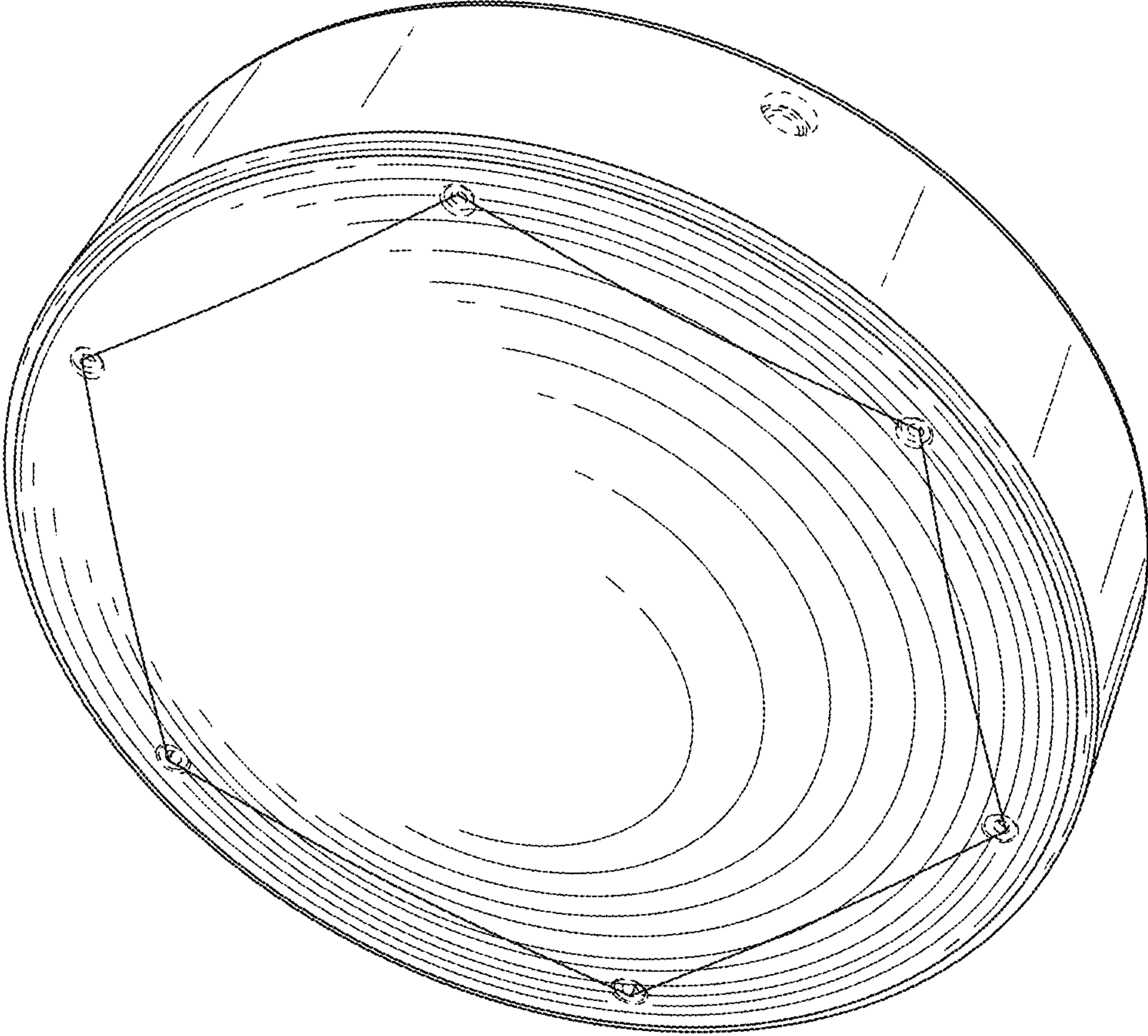


FIG. 1

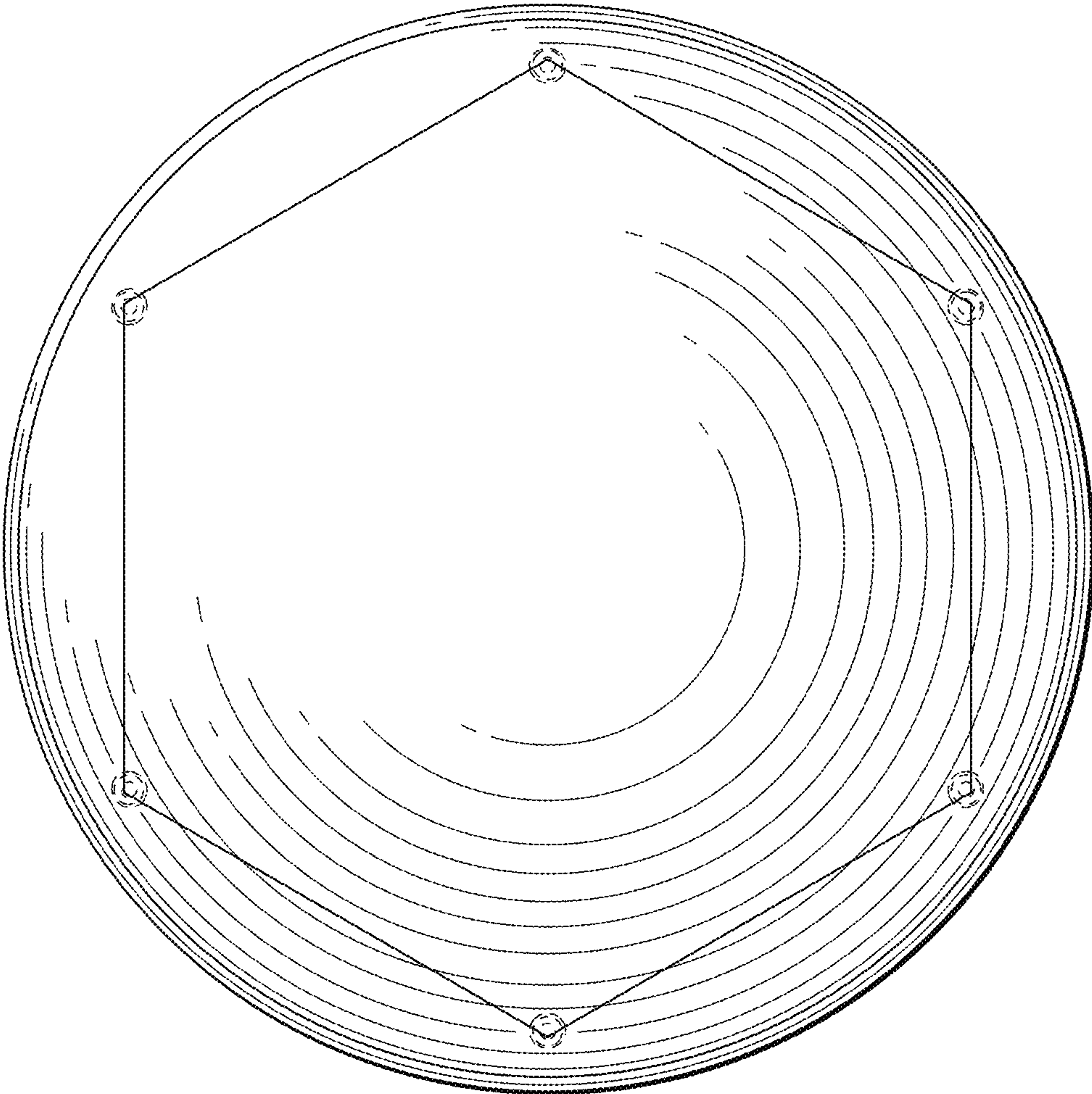


FIG. 2

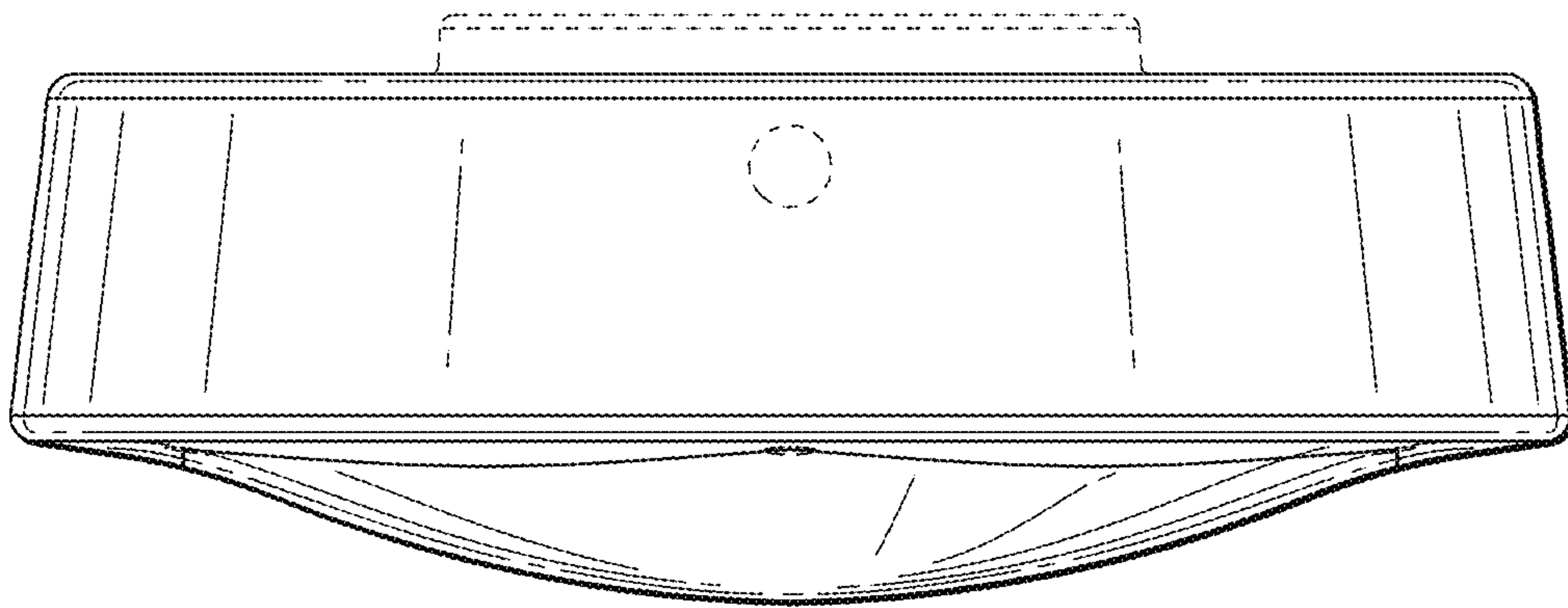


FIG. 3

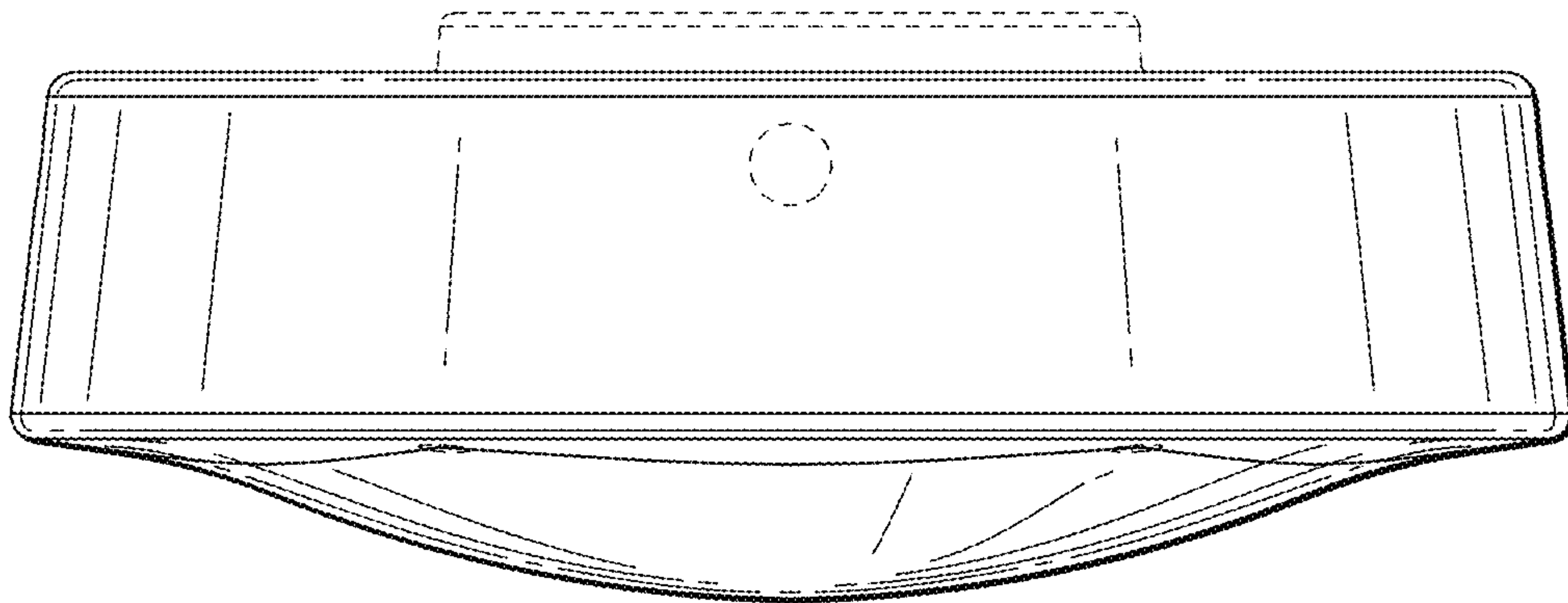


FIG. 4

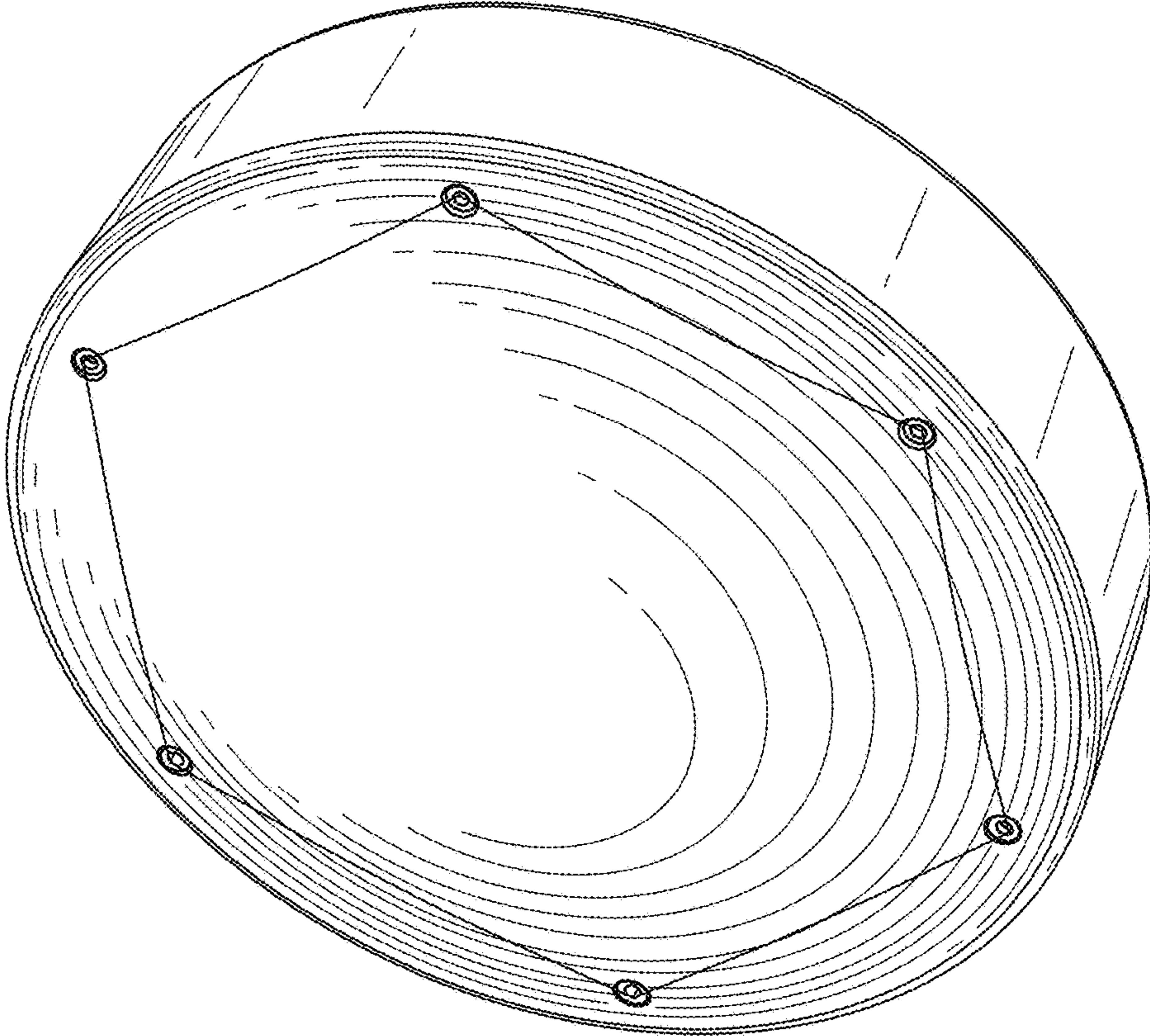


FIG. 5

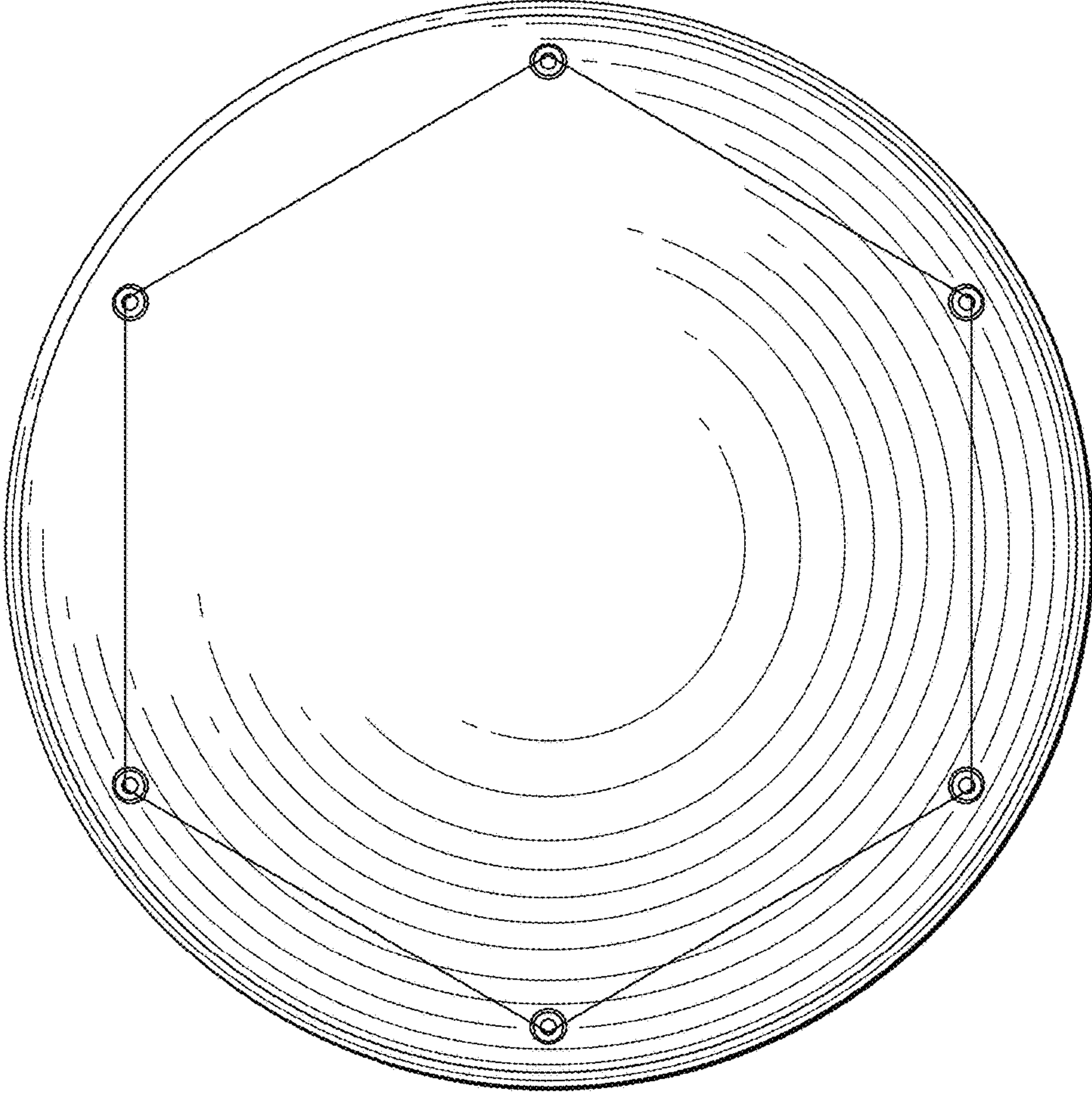


FIG. 6

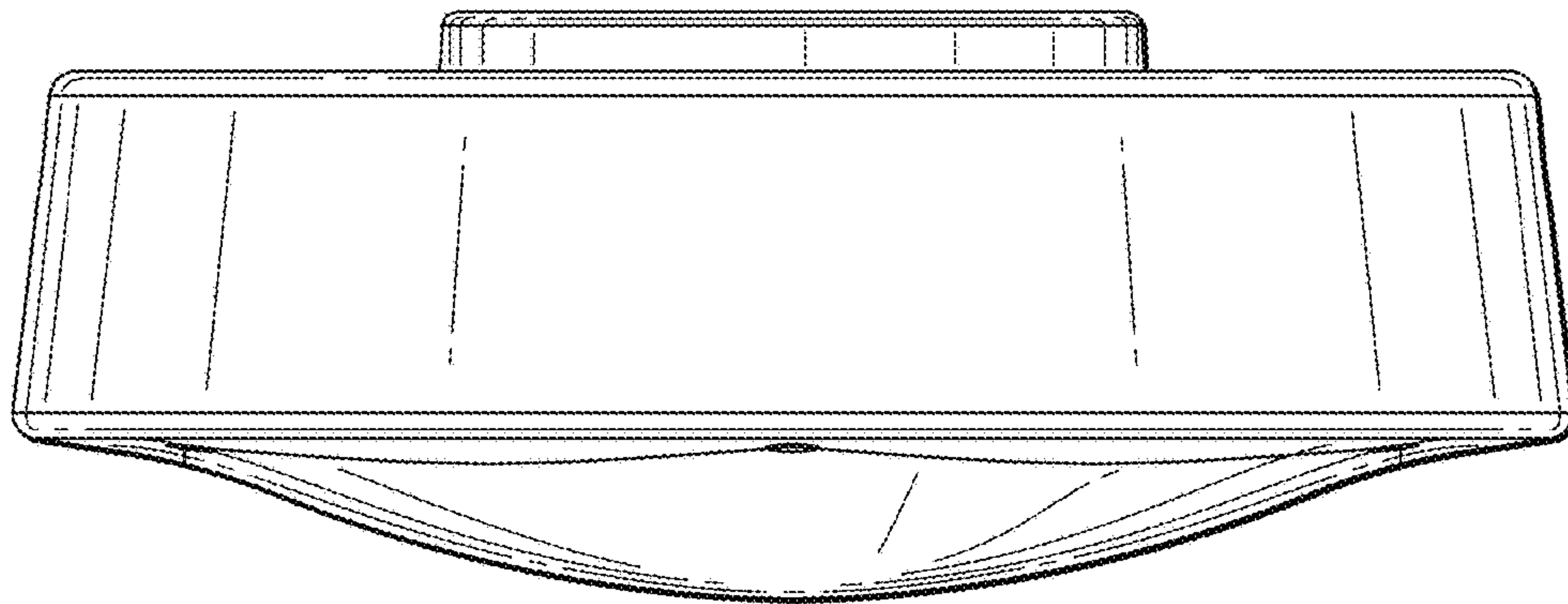


FIG. 7

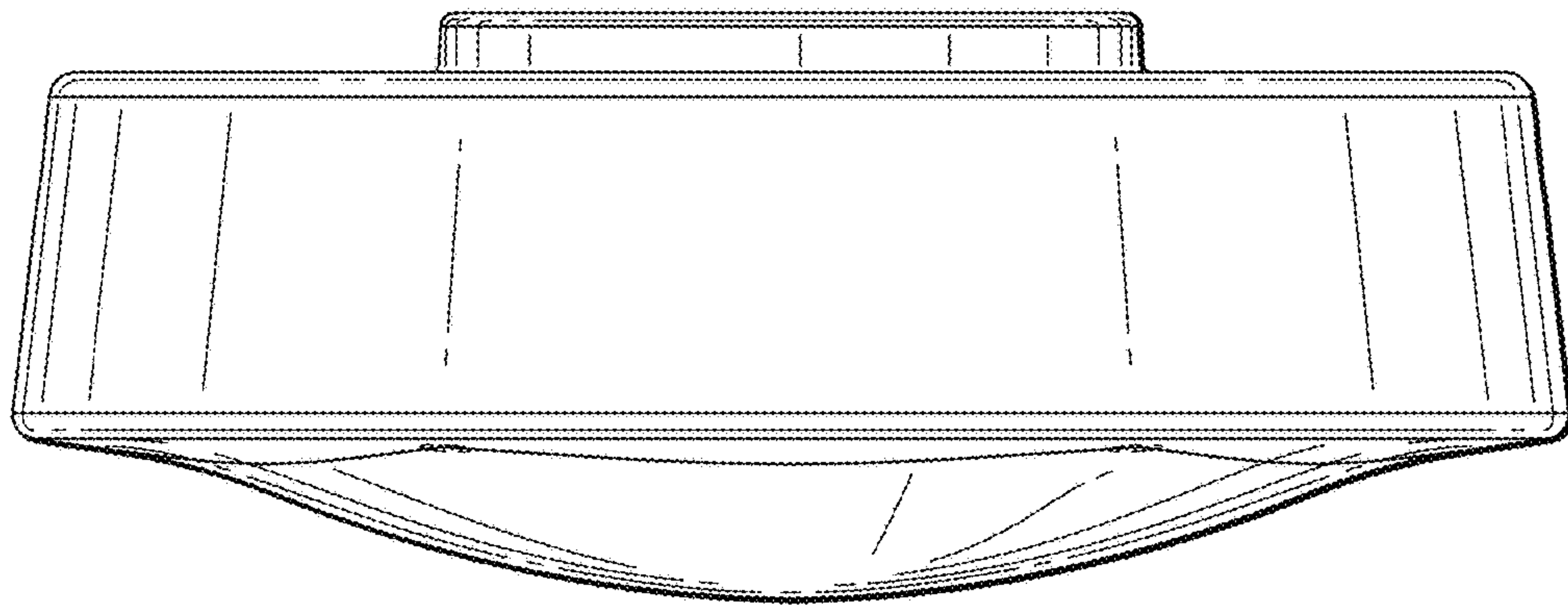


FIG. 8