



US00D814095S

(12) **United States Design Patent**
Brandrup

(10) **Patent No.:** **US D814,095 S**

(45) **Date of Patent:** **** Mar. 27, 2018**

(54) **LIGHT FIXTURE**

(71) Applicant: **Hyperikon, Inc.**, San Diego, CA (US)

(72) Inventor: **Jan Brandrup**, Rancho Santa Fe, CA (US)

(73) Assignee: **Hyperikon, Inc.**, San Diego, CA (US)

(**) Term: **15 Years**

(21) Appl. No.: **29/600,711**

(22) Filed: **Apr. 14, 2017**

(51) **LOC (11) Cl.** **26-04**

(52) **U.S. Cl.**
USPC **D26/76**

(58) **Field of Classification Search**

USPC D26/76, 78, 79, 80, 81, 82, 83, 85, 86,
D26/88, 90, 113, 118, 119, 120, 121, 122,
D26/138, 139, 140, 141, 142, 152

CPC F21S 2/00; F21S 4/00; F21S 4/003; F21S
4/005; F21S 4/006; F21S 4/007; F21S
4/008; F21S 6/00; F21S 8/00; F21S
8/024; F21S 8/026; F21S 8/031; F21S
8/033; F21S 8/035-8/037; F21S 8/04;
F21S 8/043; F21S 8/063

See application file for complete search history.

(56) **References Cited**

U.S. PATENT DOCUMENTS

D496,123 S * 9/2004 Blackman D26/76
D573,745 S * 7/2008 Engel D26/76

D573,746 S * 7/2008 Engel D26/76
D584,848 S * 1/2009 Menke D26/76
D595,890 S * 7/2009 Sabernig D26/84
D632,004 S * 2/2011 Waldmann D26/76
D645,194 S * 9/2011 Budike, Jr. D26/76
D650,509 S * 12/2011 Wegger D26/90
D663,882 S * 7/2012 Muraishi D26/76
D716,489 S * 10/2014 O'Leary D26/90
D757,348 S * 5/2016 Wilcox D26/120
D757,349 S * 5/2016 Wilcox D26/120
D805,234 S * 12/2017 Ross D26/76

* cited by examiner

Primary Examiner — George D. Kirschbaum

Assistant Examiner — Natasha Vujcic

(74) *Attorney, Agent, or Firm* — Panitch Schwarze
Belisario & Nadel LLP

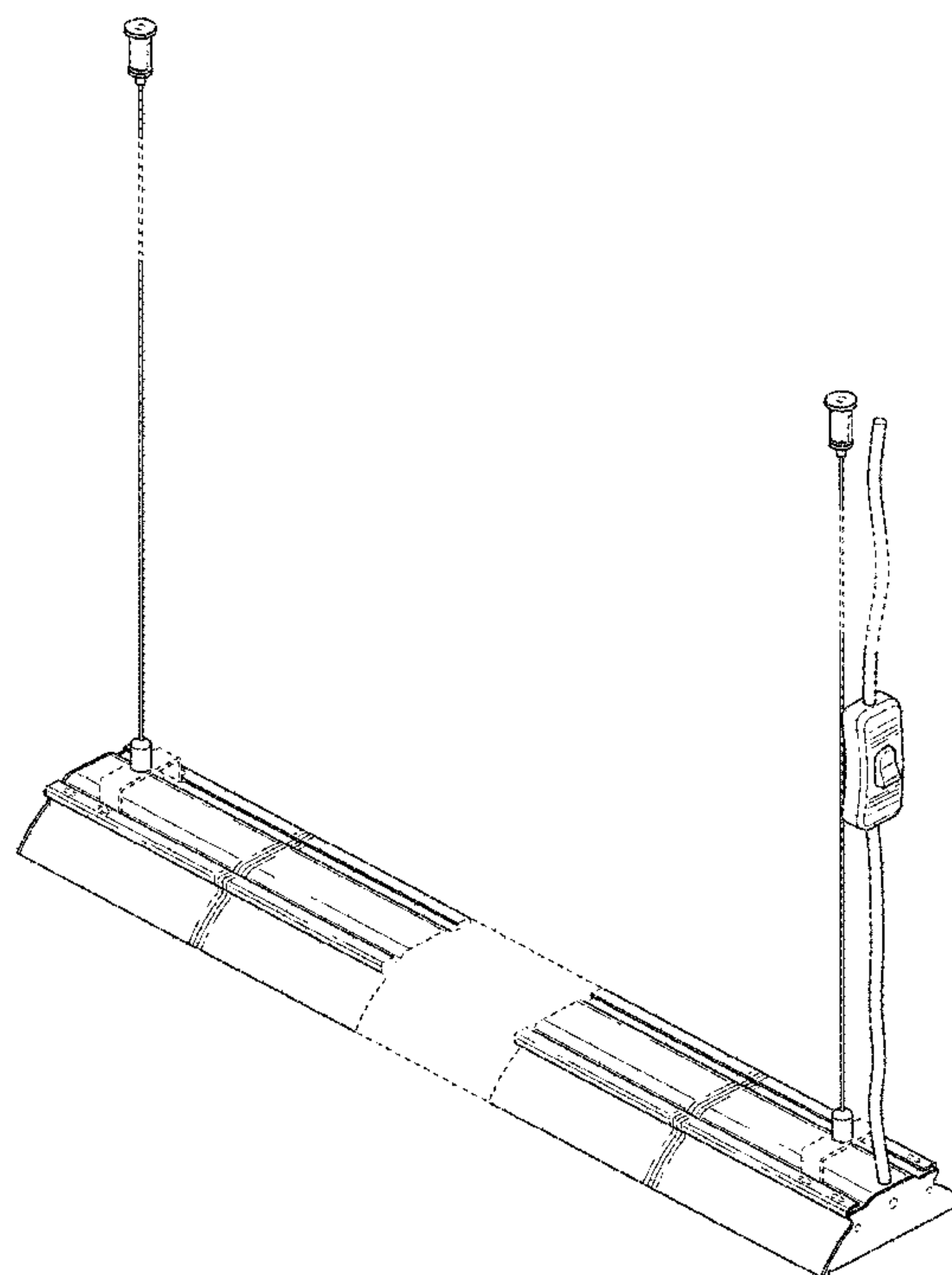
(57) **CLAIM**

The ornamental design for a light fixture, as shown and described.

DESCRIPTION

FIG. 1 is a front and right side perspective view of a light fixture in accordance with my new design;
FIG. 2 is a right side elevational view thereof;
FIG. 3 is a left side elevational view thereof;
FIG. 4 is a front elevational view thereof;
FIG. 5 is a rear elevational view thereof;
FIG. 6 is a top plan view thereof; and,
FIG. 7 is a bottom plan view thereof.
The broken lines in the figures illustrate portions of the light fixture that form no part of the claimed design.

1 Claim, 5 Drawing Sheets



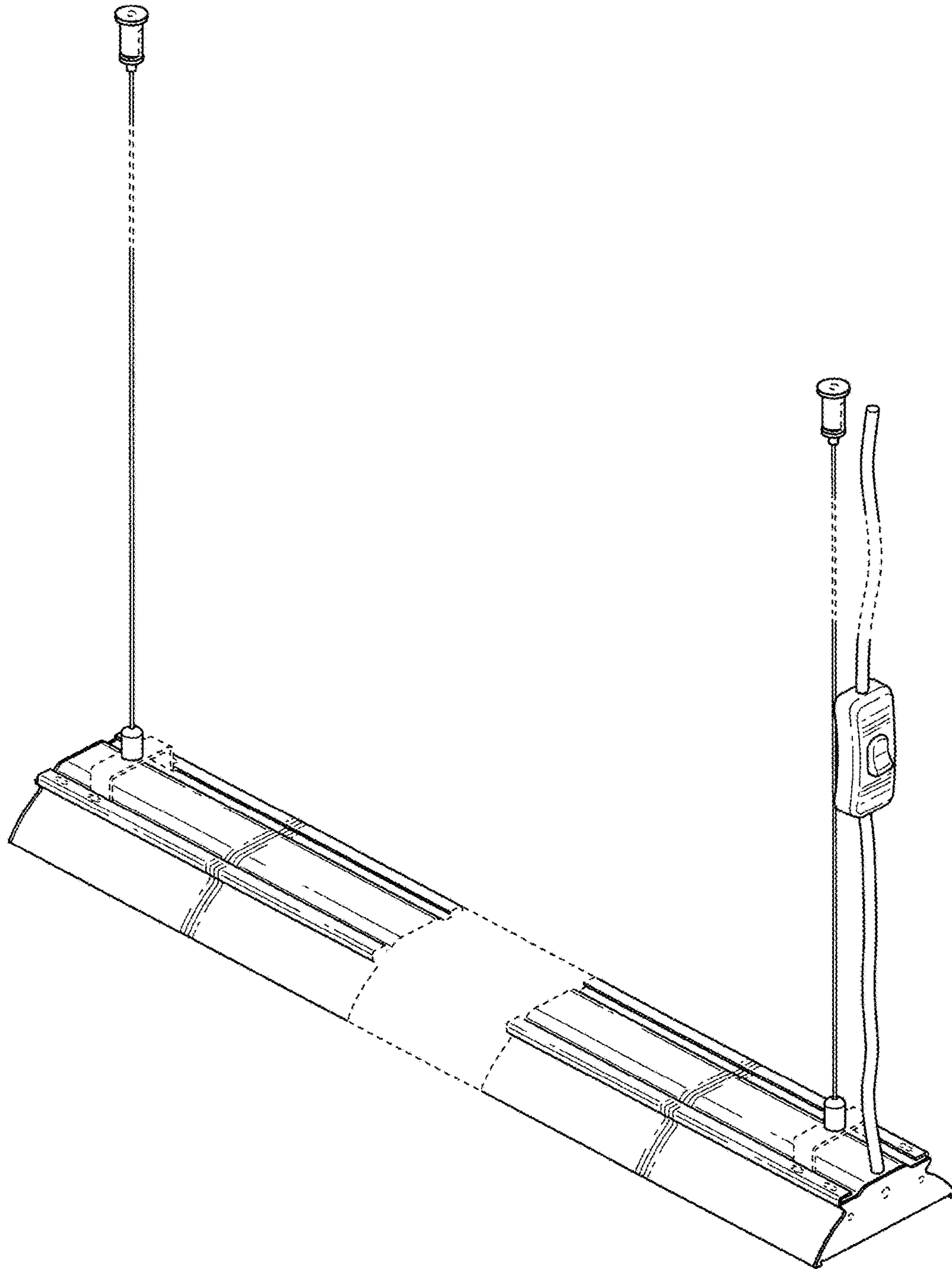


FIG. 1

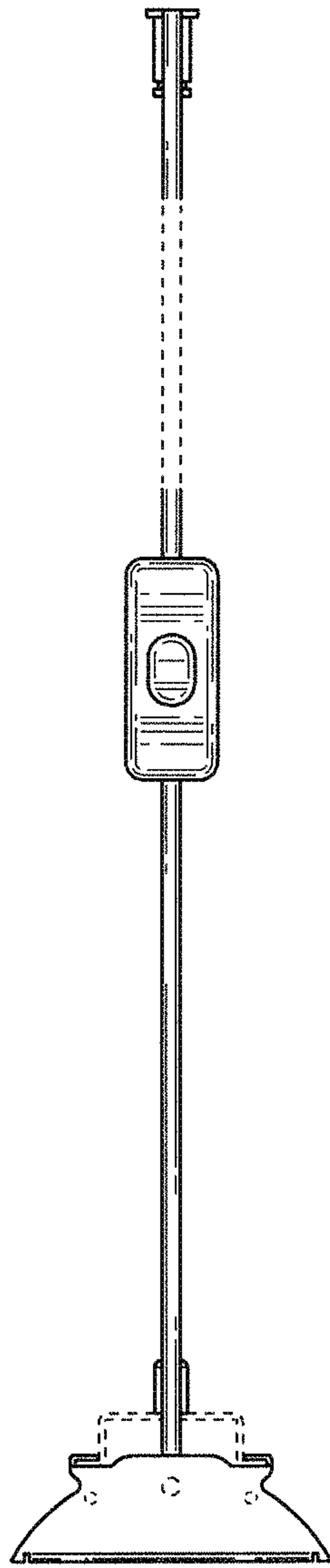


FIG. 2

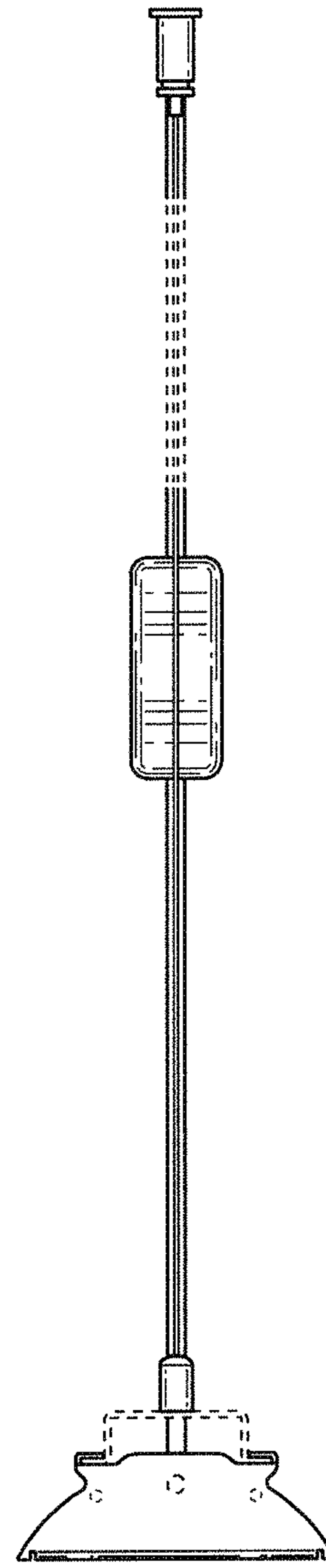


FIG. 3

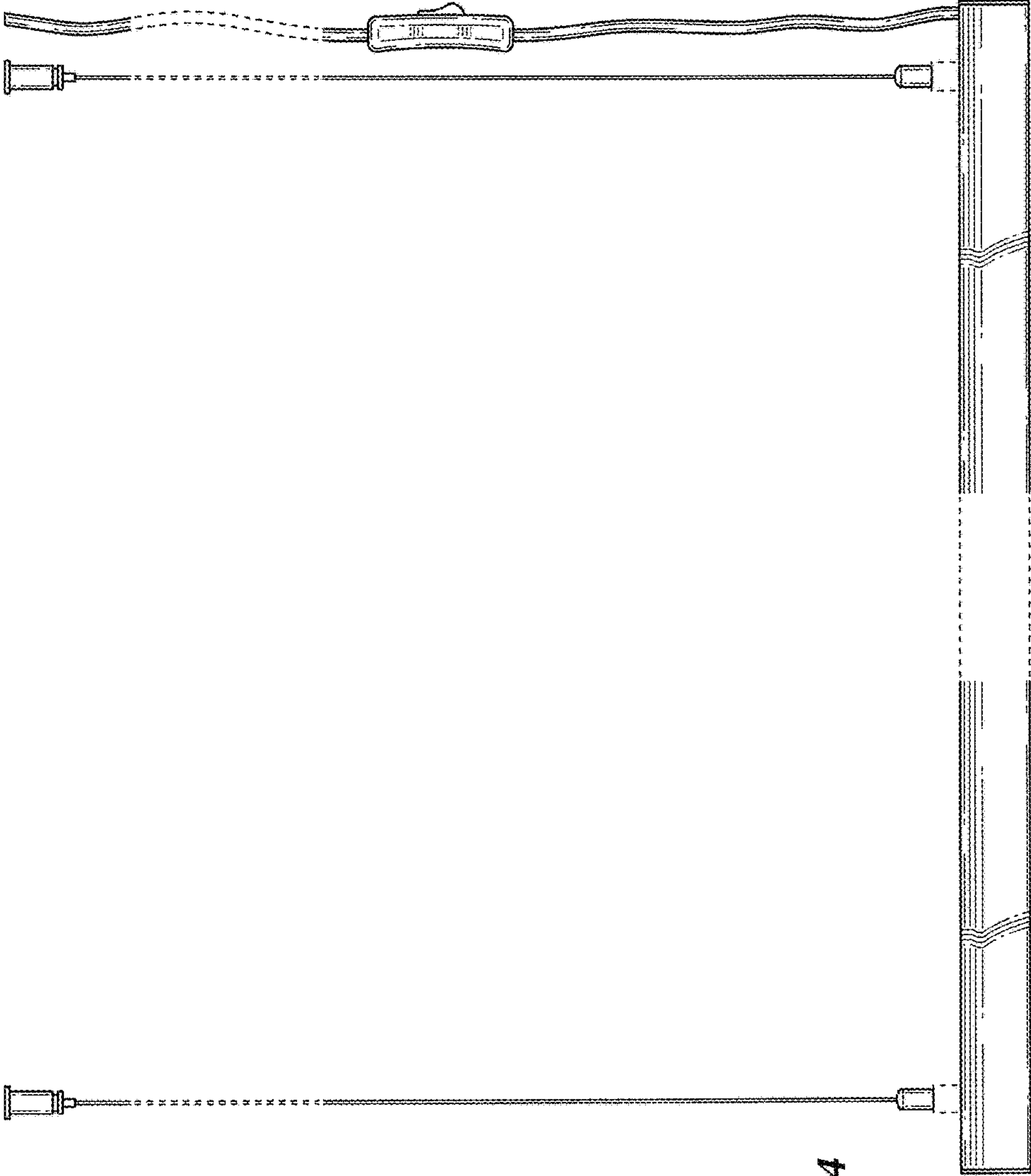
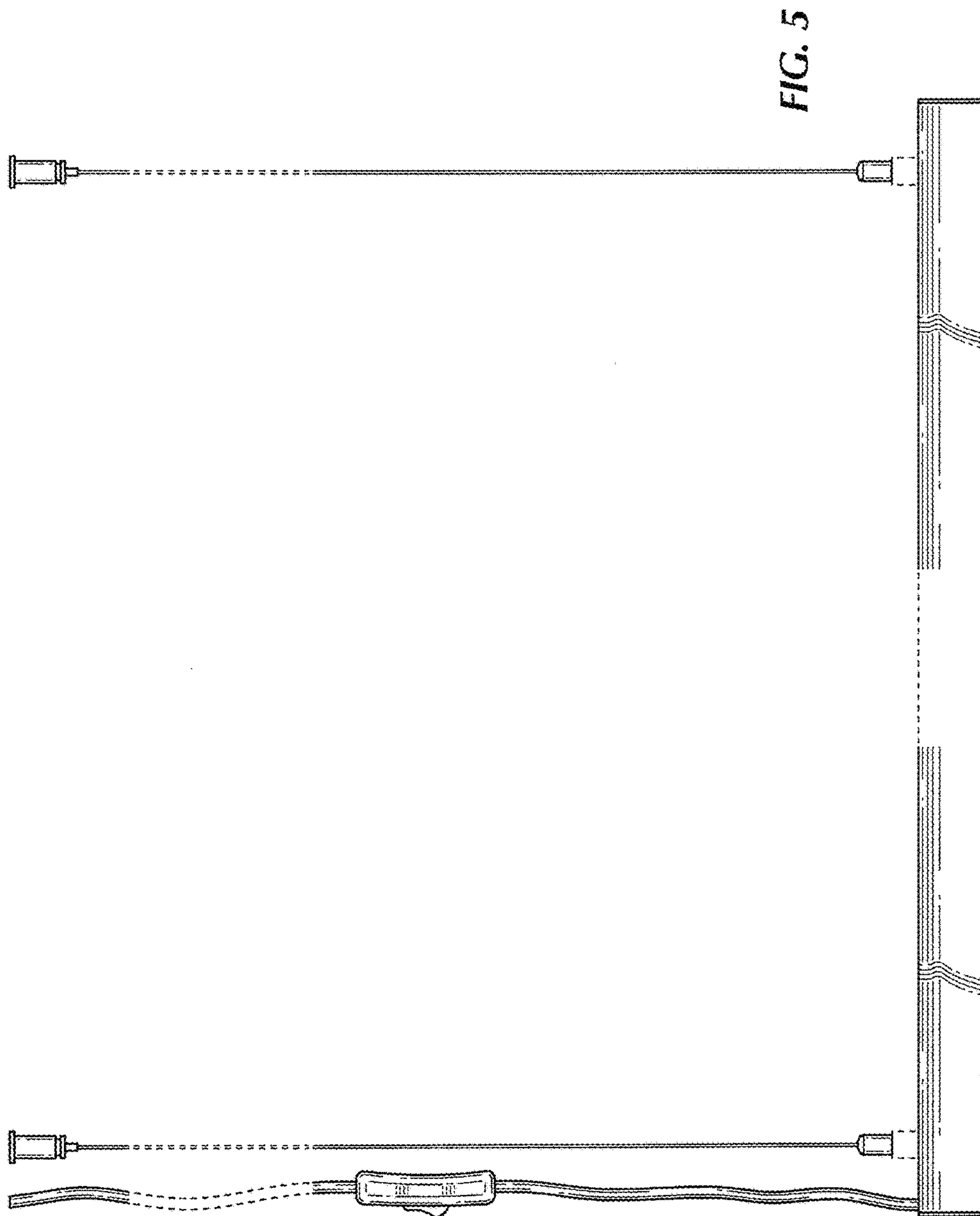


FIG. 4



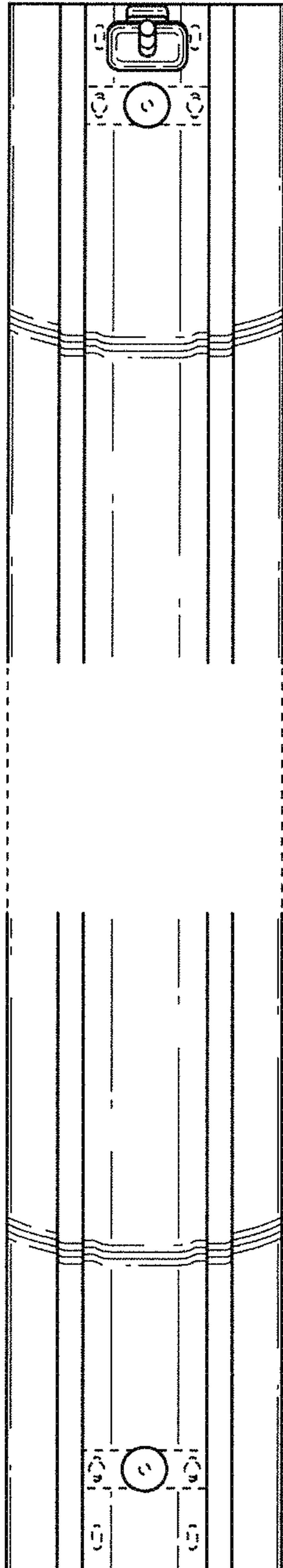


FIG. 6

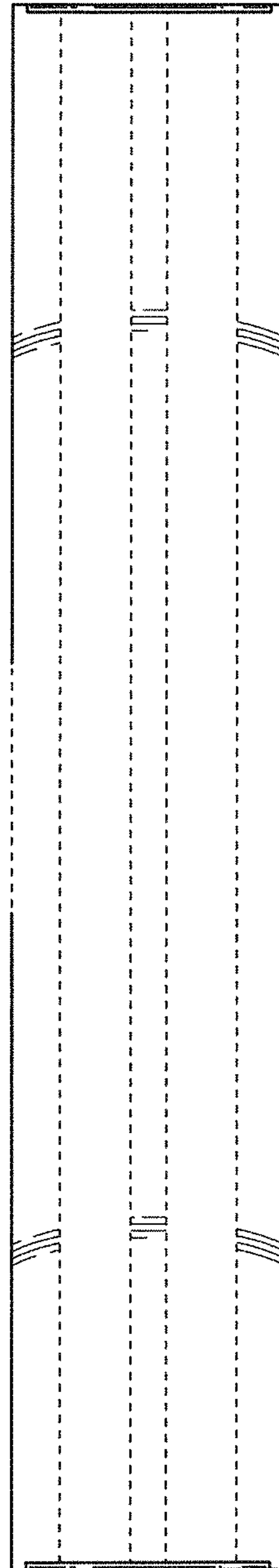


FIG. 7