



US00D814094S

(12) **United States Design Patent**  
**Thompson et al.**

(10) **Patent No.:** **US D814,094 S**  
(45) **Date of Patent:** **\*\* Mar. 27, 2018**

(54) **LED OPTIC**

9,400,087 B2 \* 7/2016 Marquardt ..... F21V 7/0066  
D779,984 S \* 2/2017 Deyaf ..... D10/114.2  
D784,586 S \* 4/2017 Gebhard ..... D26/63

(71) Applicant: **Electronic Controls Company**, Boise, ID (US)

\* cited by examiner

(72) Inventors: **Nicholaus M. Thompson**, Kuna, ID (US); **Megan M. Tidd**, Arvada, CO (US)

*Primary Examiner* — George D Kirschbaum  
(74) *Attorney, Agent, or Firm* — Stoel Rives LLP

(73) Assignee: **ELECTRONIC CONTROLS COMPANY**, Boise, ID (US)

(57) **CLAIM**

The ornamental design for an LED optic, substantially as shown and described.

(\*\*) Term: **14 Years**

**DESCRIPTION**

(21) Appl. No.: **29/523,732**

FIG. 1 is a top isometric view of an LED optic;  
FIG. 2 is a front view thereof;  
FIG. 3 is the view of FIG. 1, with some environmental structure removed to provide a clearer understanding of the design;  
FIG. 4 is the view of FIG. 2, with some environmental structure removed to provide a clearer understanding of the design;  
FIG. 5 is a rear view thereof, with some environmental structure removed to provide a clearer understanding of the design;  
FIG. 6 is a top view thereof, with some environmental structure removed to provide a clearer understanding of the design; and,  
FIG. 7 is a side view thereof, with some environmental structure removed to provide a clearer understanding of the design.

(22) Filed: **Apr. 13, 2015**

(51) **LOC (11) Cl.** ..... **26-05**

(52) **U.S. Cl.**  
USPC ..... **D26/72**

(58) **Field of Classification Search**  
USPC ..... D10/114.1, 114.2; D26/72, 63, 85  
CPC ..... F21V 7/0066; G09F 9/301  
See application file for complete search history.

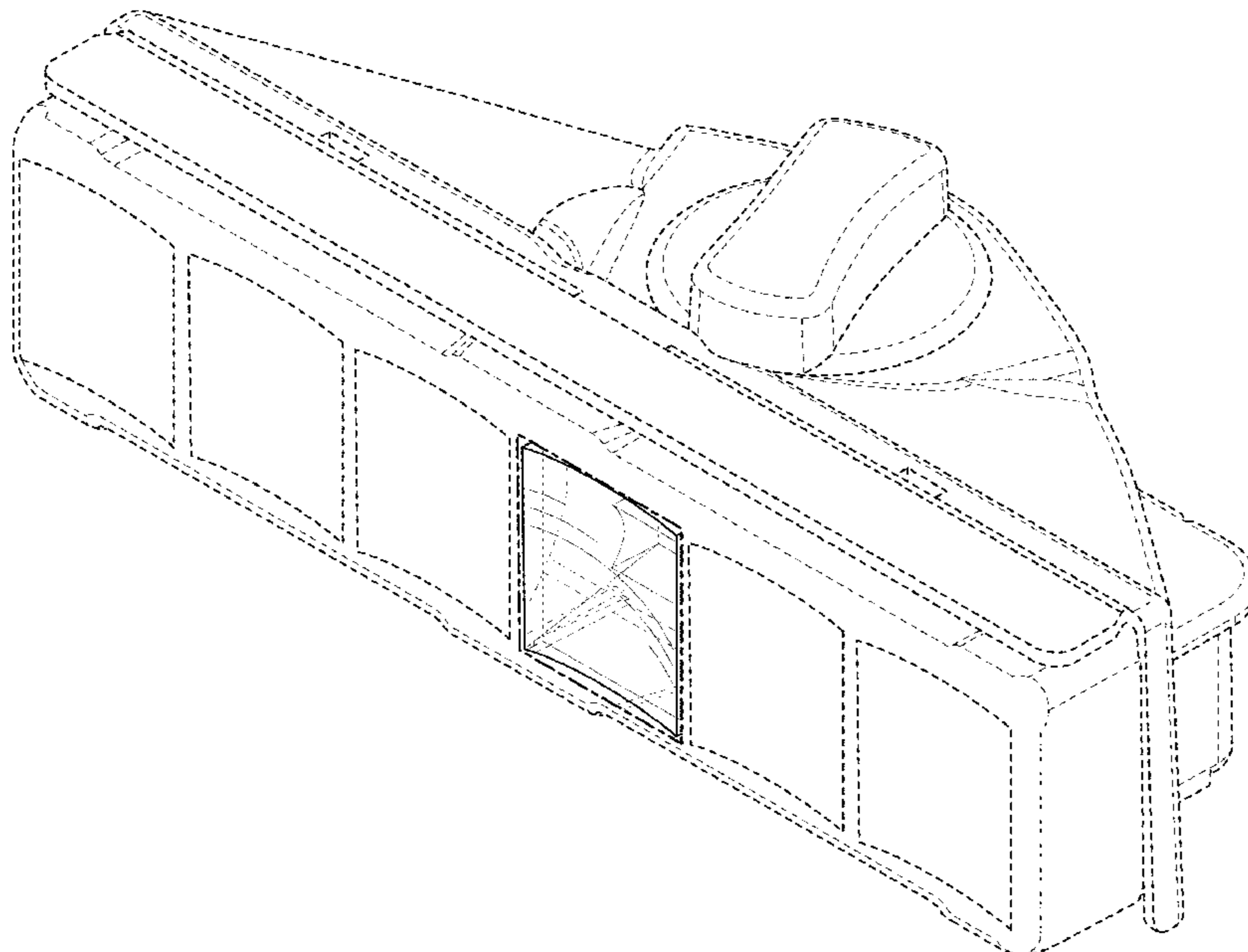
In FIGS. 1-5, the dot-dash broken lines circumscribing the article shown and separating solid lines from broken lines represent the bounds of the claimed design and form no part of the claimed design. In FIGS. 1-7, the remaining broken lines are illustrative of environmental structure forming no part of the claimed design.

(56) **References Cited**

**U.S. PATENT DOCUMENTS**

D578,699 S \* 10/2008 Ohno ..... D26/72  
D589,638 S \* 3/2009 Collins ..... D26/72  
D589,834 S \* 4/2009 Lyons ..... D10/114.1  
D590,087 S \* 4/2009 Manscher ..... D26/72  
D592,985 S \* 5/2009 Barnett ..... D10/114.1  
D629,139 S \* 12/2010 Cai ..... D26/72  
8,360,608 B2 \* 1/2013 Wildner ..... G09F 9/301  
362/237  
D732,219 S \* 6/2015 Adams ..... D26/63  
D752,267 S \* 3/2016 Wang ..... D26/63

**1 Claim, 7 Drawing Sheets**



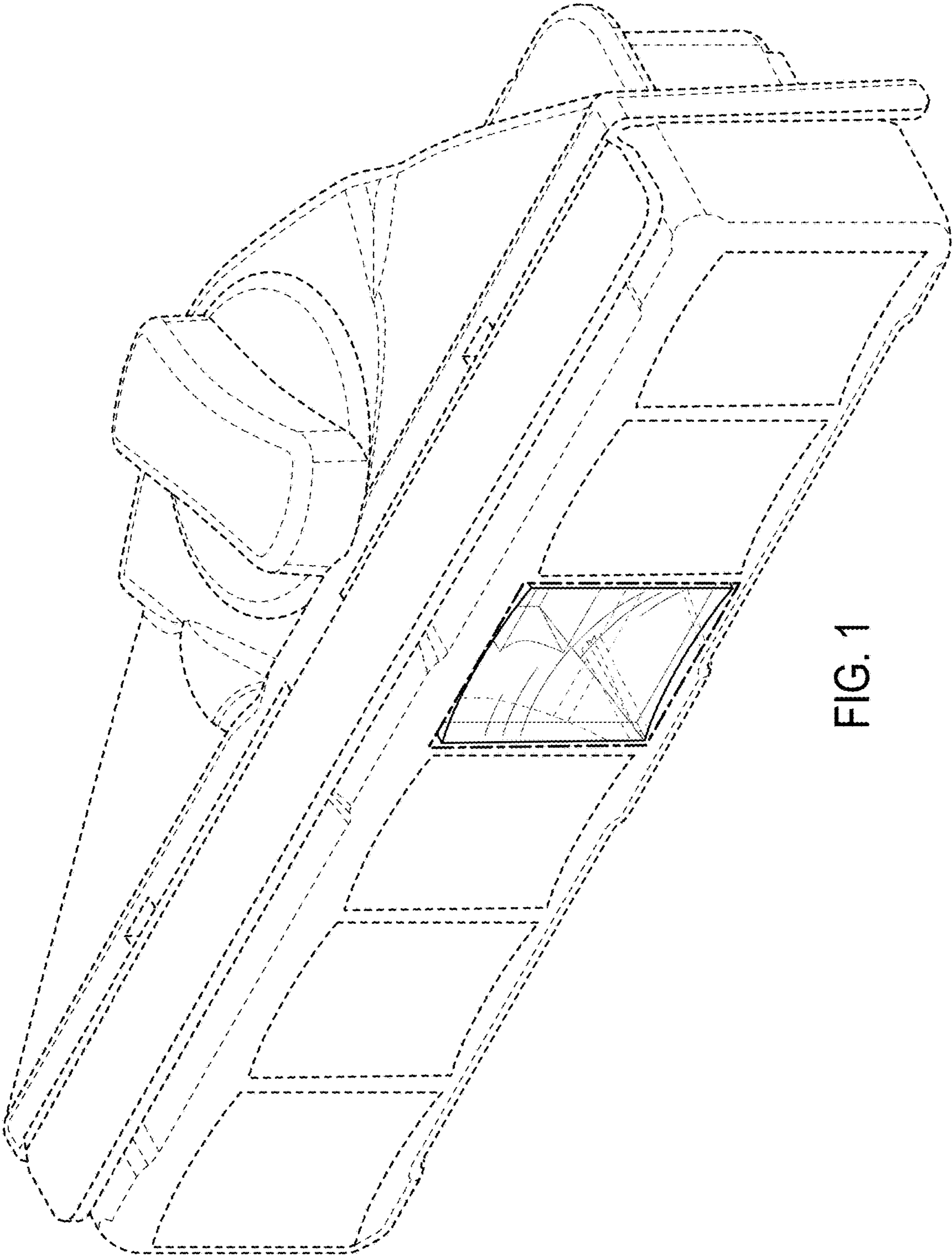


FIG. 1

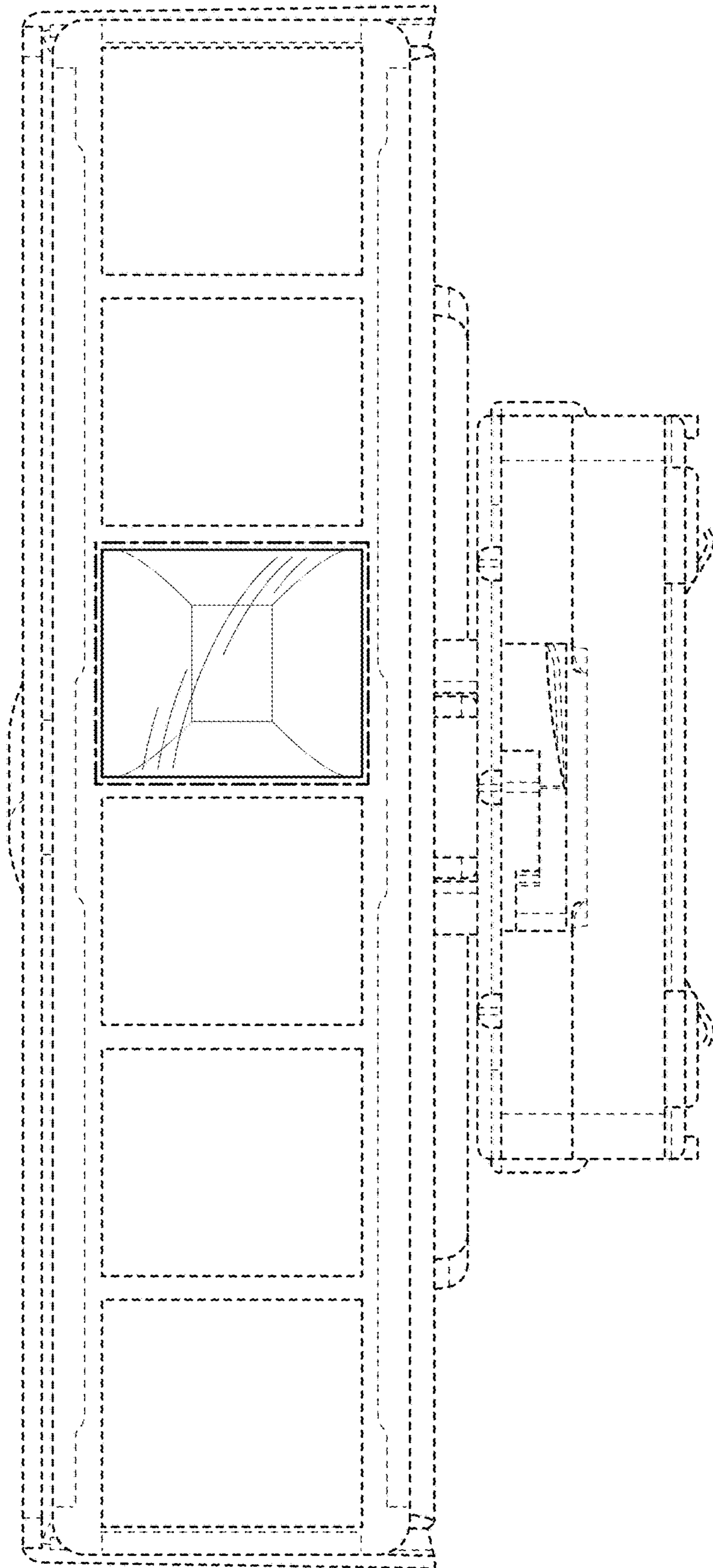


FIG. 2

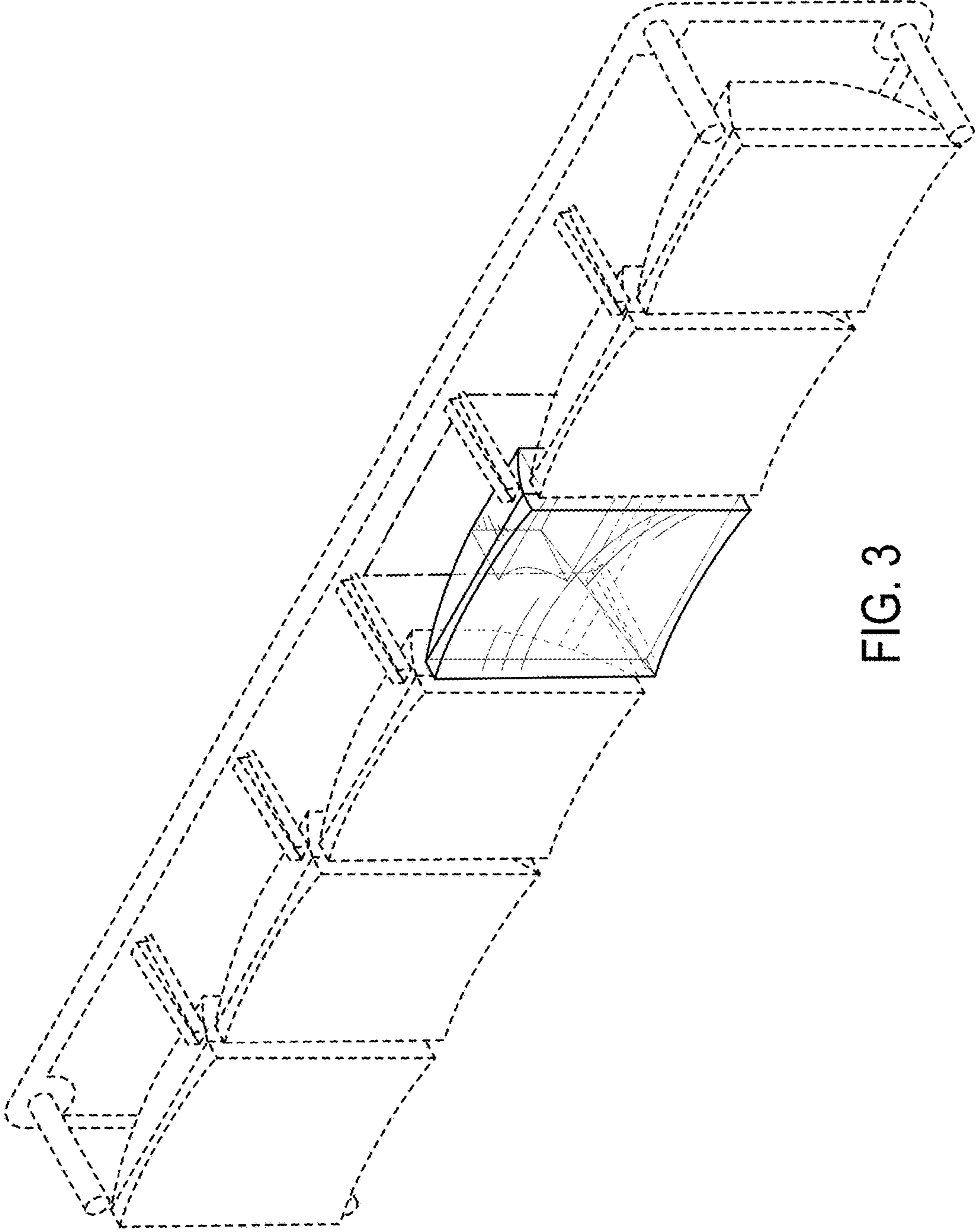


FIG. 3

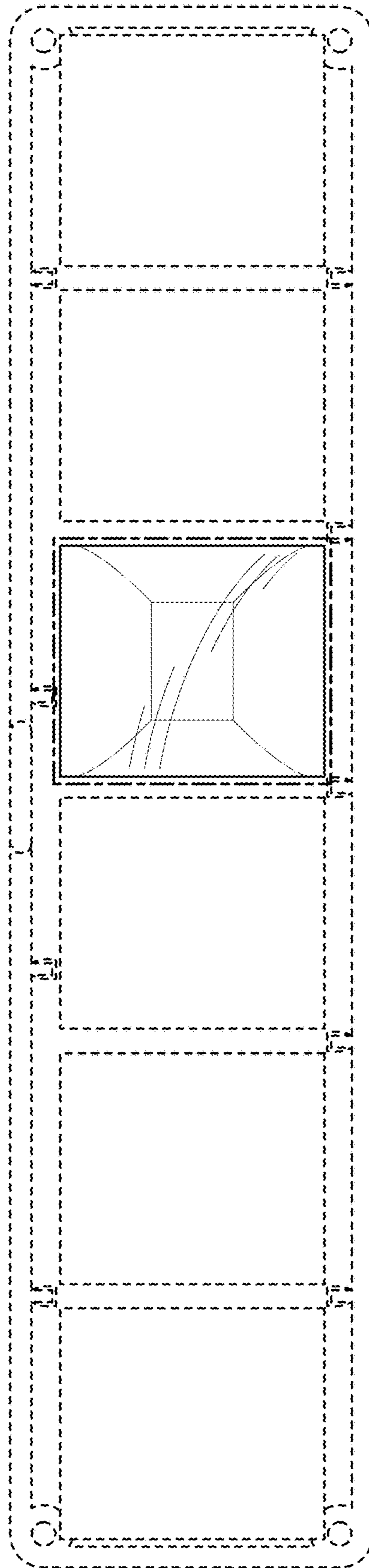


FIG. 4

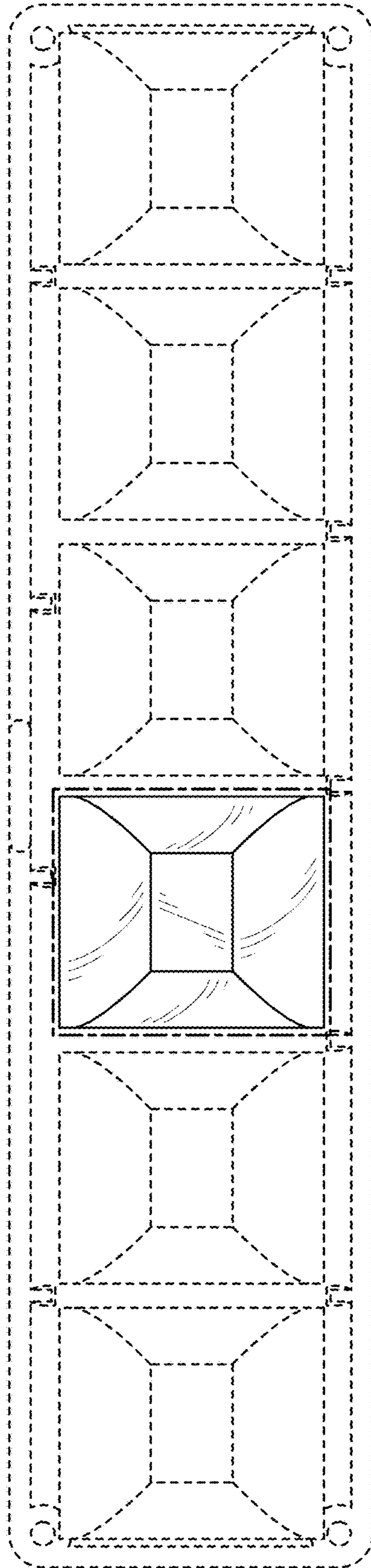


FIG. 5

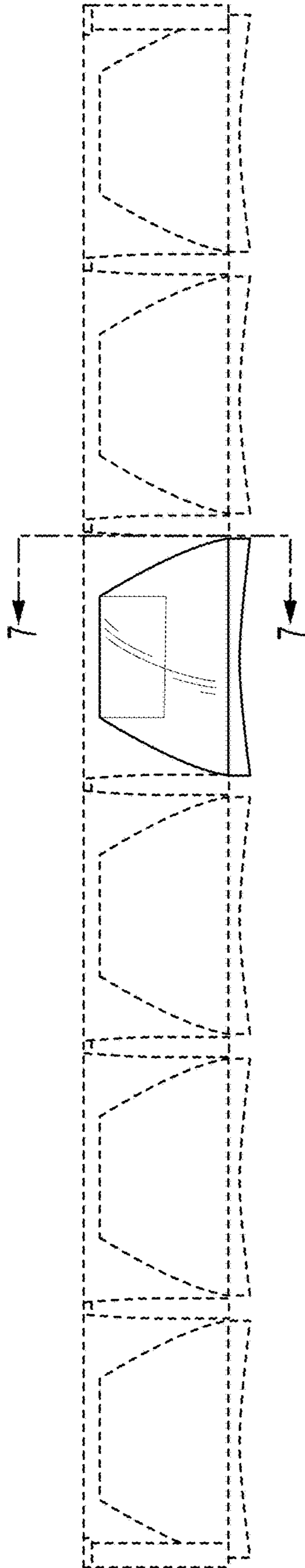


FIG. 6

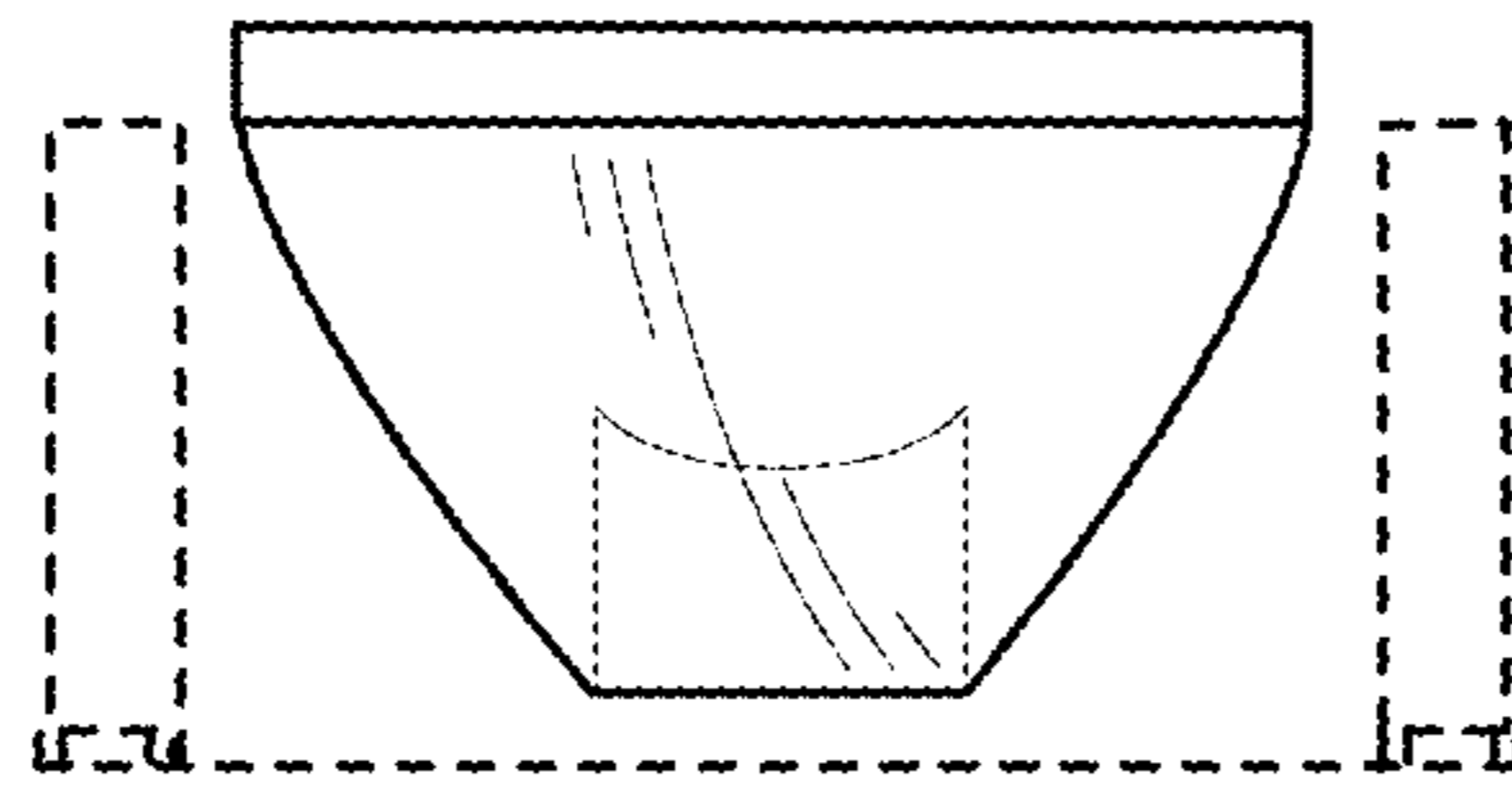


FIG. 7