



US00D814091S

(12) **United States Design Patent**
Lowe

(10) **Patent No.:** **US D814,091 S**

(45) **Date of Patent:** **** Mar. 27, 2018**

(54) **LAMP**

(71) Applicant: **Peter Lowe**, Camp Hill, PA (US)

(72) Inventor: **Peter Lowe**, Camp Hill, PA (US)

(73) Assignee: **Peter Lowe**, Stanford, CA (US)

(**) Term: **15 Years**

(21) Appl. No.: **29/586,838**

(22) Filed: **Dec. 7, 2016**

(51) **LOC (11) Cl.** **26-03**

(52) **U.S. Cl.**
USPC **D26/65**

(58) **Field of Classification Search**
USPC D26/60, 61, 63, 65, 67, 93, 99, 107
CPC F21V 21/088; F21V 21/0885; F21V 21/30;
F21S 6/003
See application file for complete search history.

(56) **References Cited**

U.S. PATENT DOCUMENTS

- D523,164 S * 6/2006 Ng D26/65
- D622,885 S * 8/2010 Ng D26/107
- D667,982 S * 9/2012 Meda D26/65
- D690,044 S * 9/2013 Ng D26/65

- D690,861 S * 10/2013 Huang D26/65
- D729,964 S * 5/2015 Huh D26/63
- D744,154 S * 11/2015 Ng D26/107

* cited by examiner

Primary Examiner — Brian N. Vinson

(57) **CLAIM**

The ornamental design for a lamp, as shown and described.

DESCRIPTION

FIG. 1 is a front perspective view of a lamp in a folded position, showing my new design.

FIG. 2 is a front perspective view thereof in an open position.

FIG. 3 is a rear perspective view thereof in an open position.

FIG. 4 is an additional front perspective view thereof in an open position.

FIG. 5 is a left side elevational view thereof in an open position.

FIG. 6 is a front perspective view thereof in a partially closed position.

FIG. 7 is a front perspective view thereof in a partially closed position.

FIG. 8 is a left side elevational view thereof in a partially closed position; and,

FIG. 9 is a front perspective view thereof in a disassembled position.

1 Claim, 9 Drawing Sheets

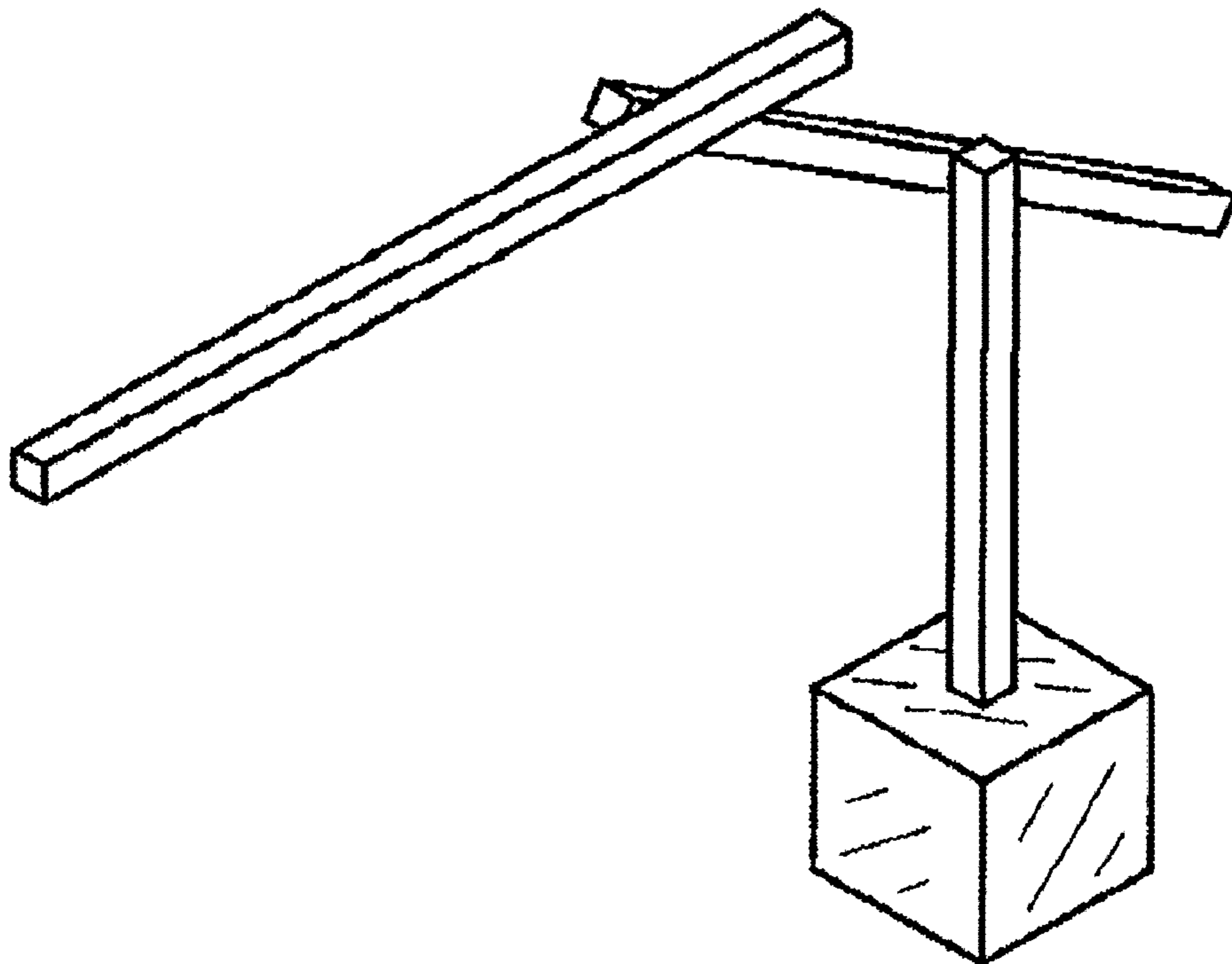




FIG. 1

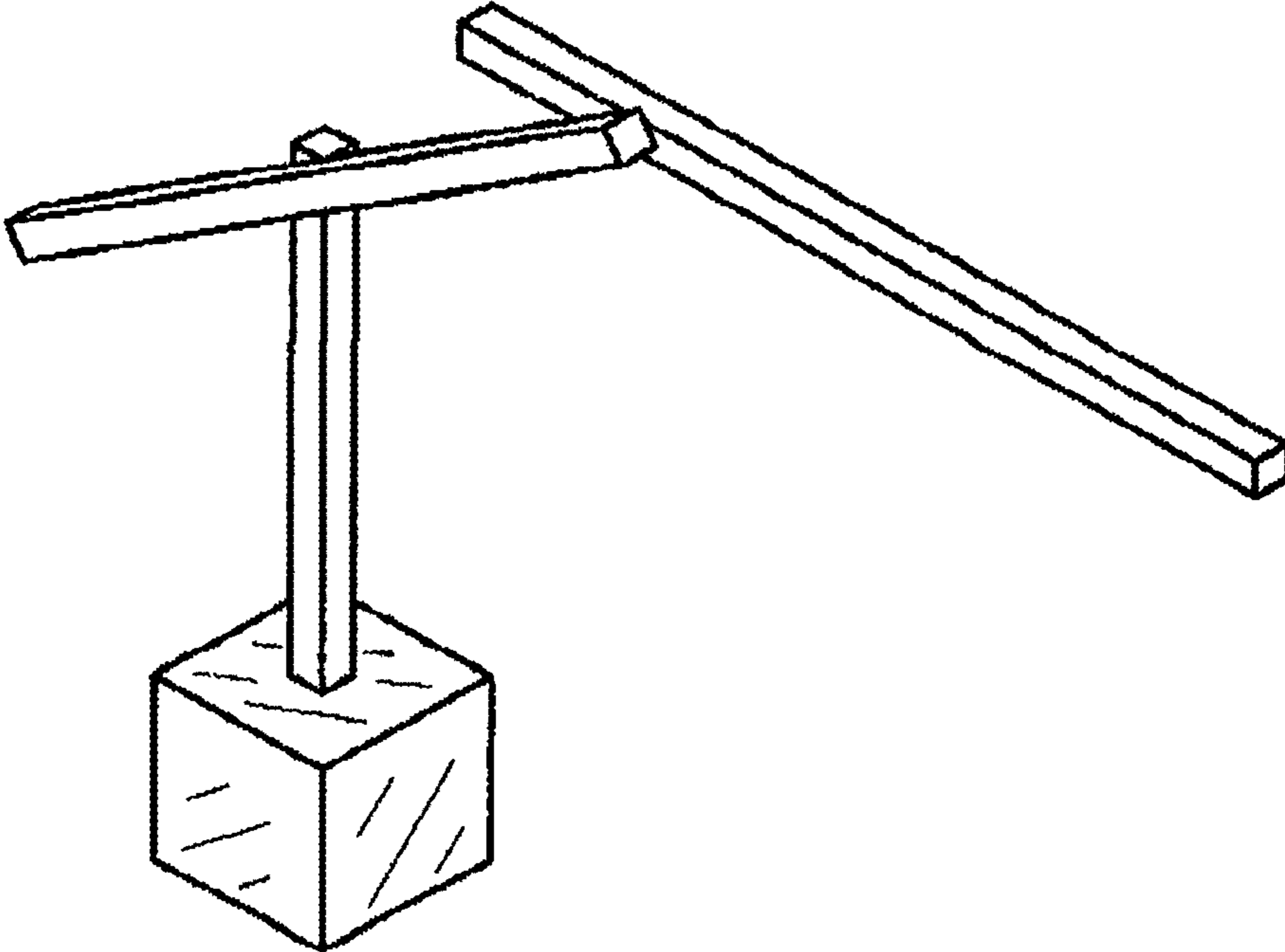


FIG. 2

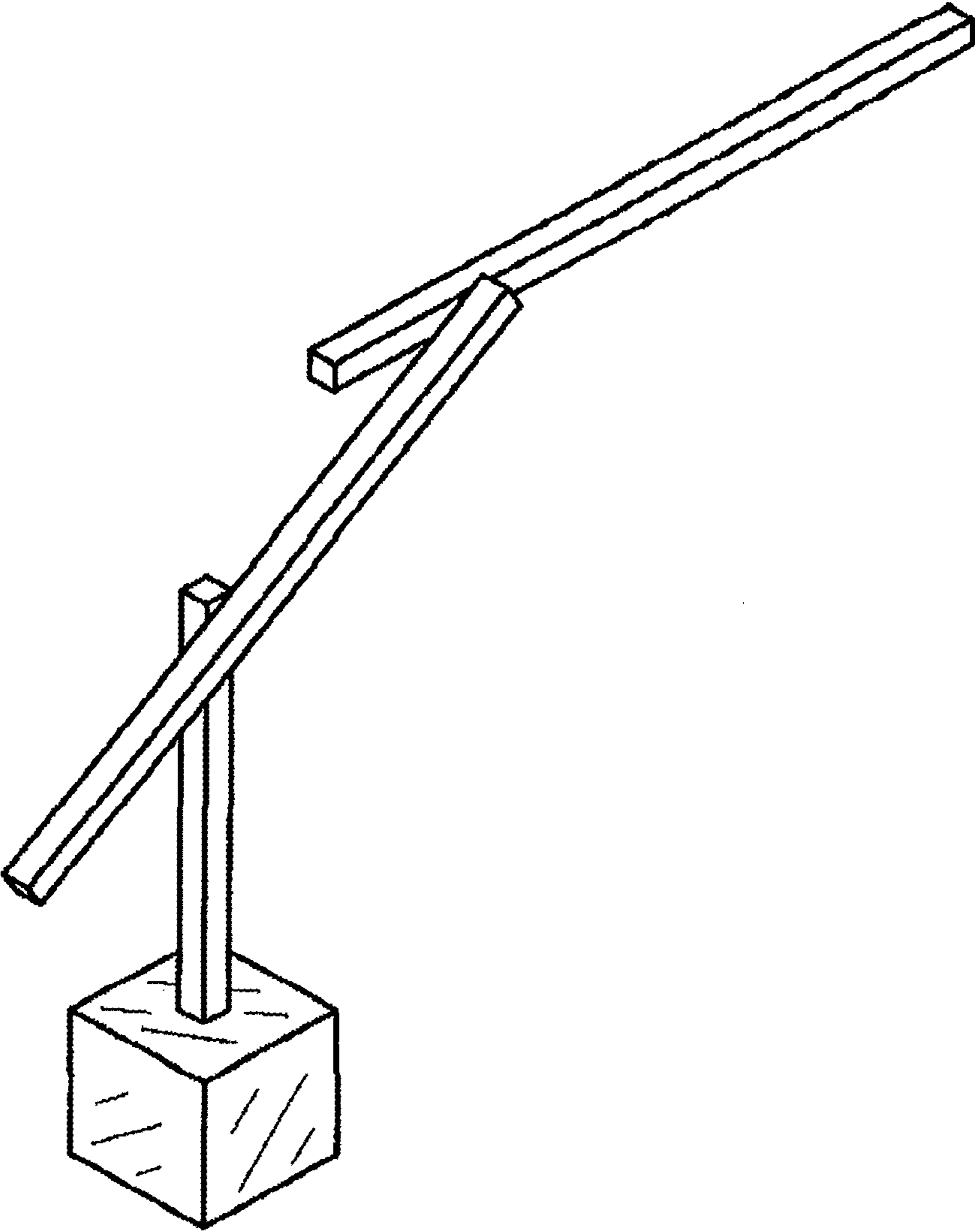


FIG. 3

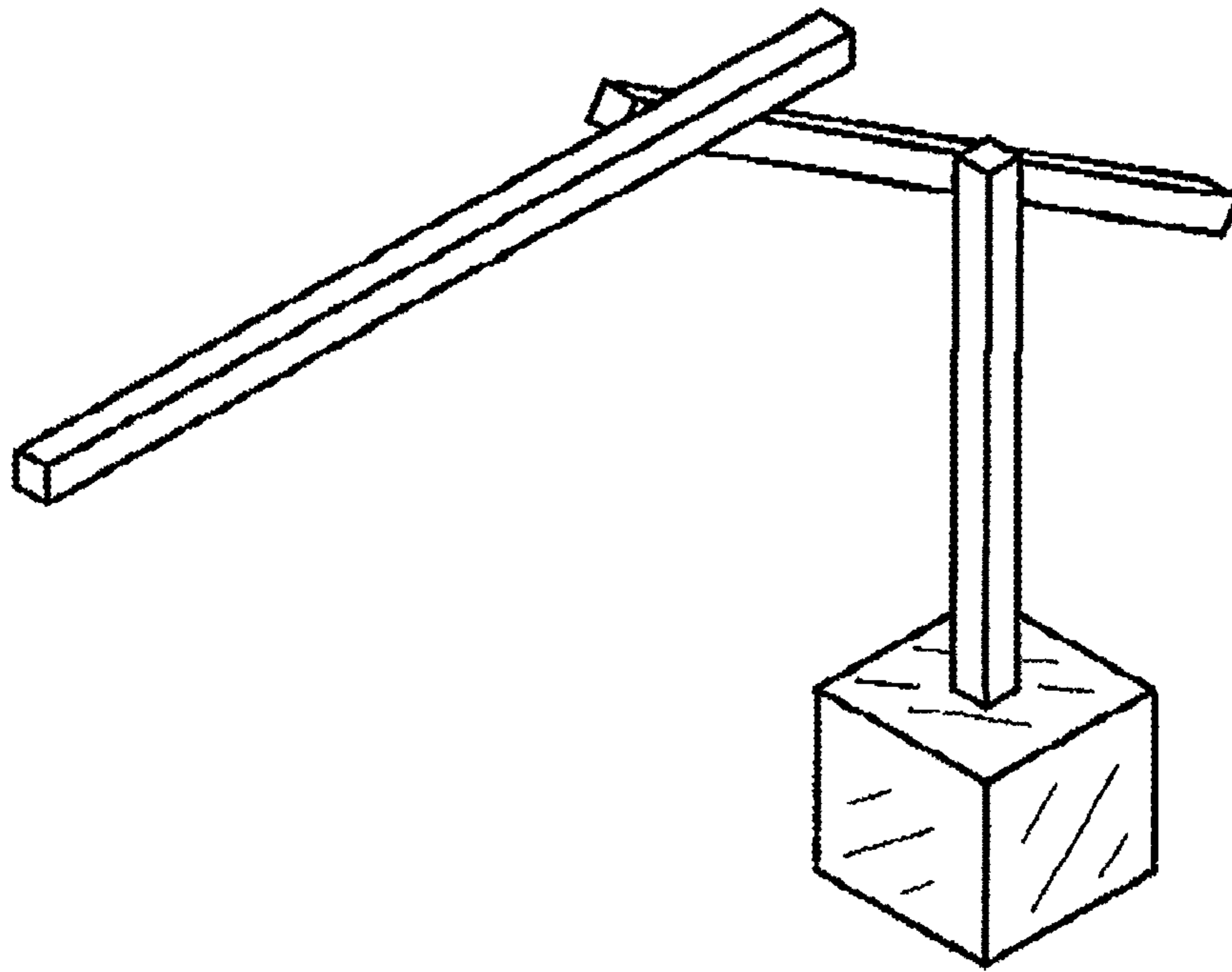


FIG. 4

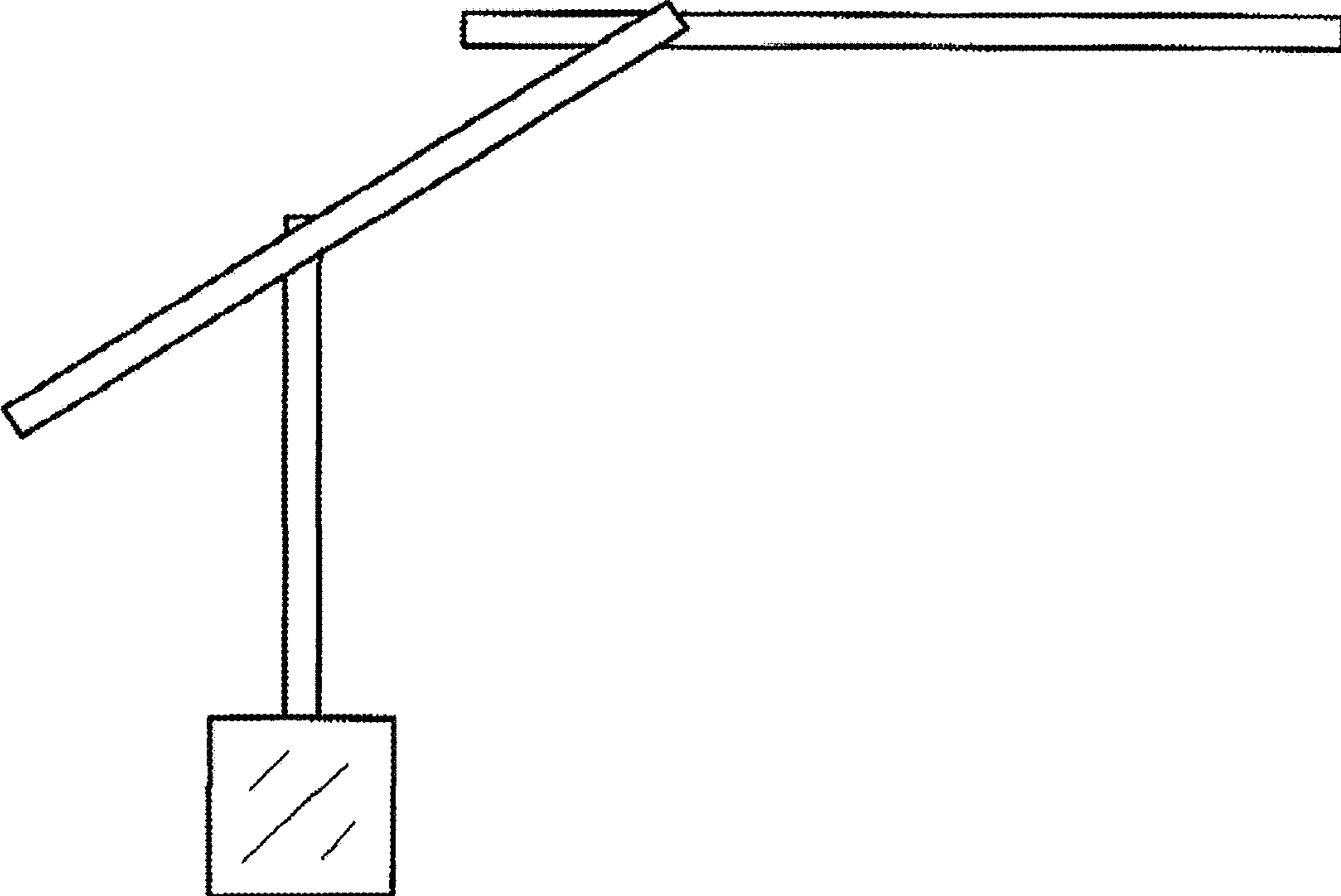


FIG. 5

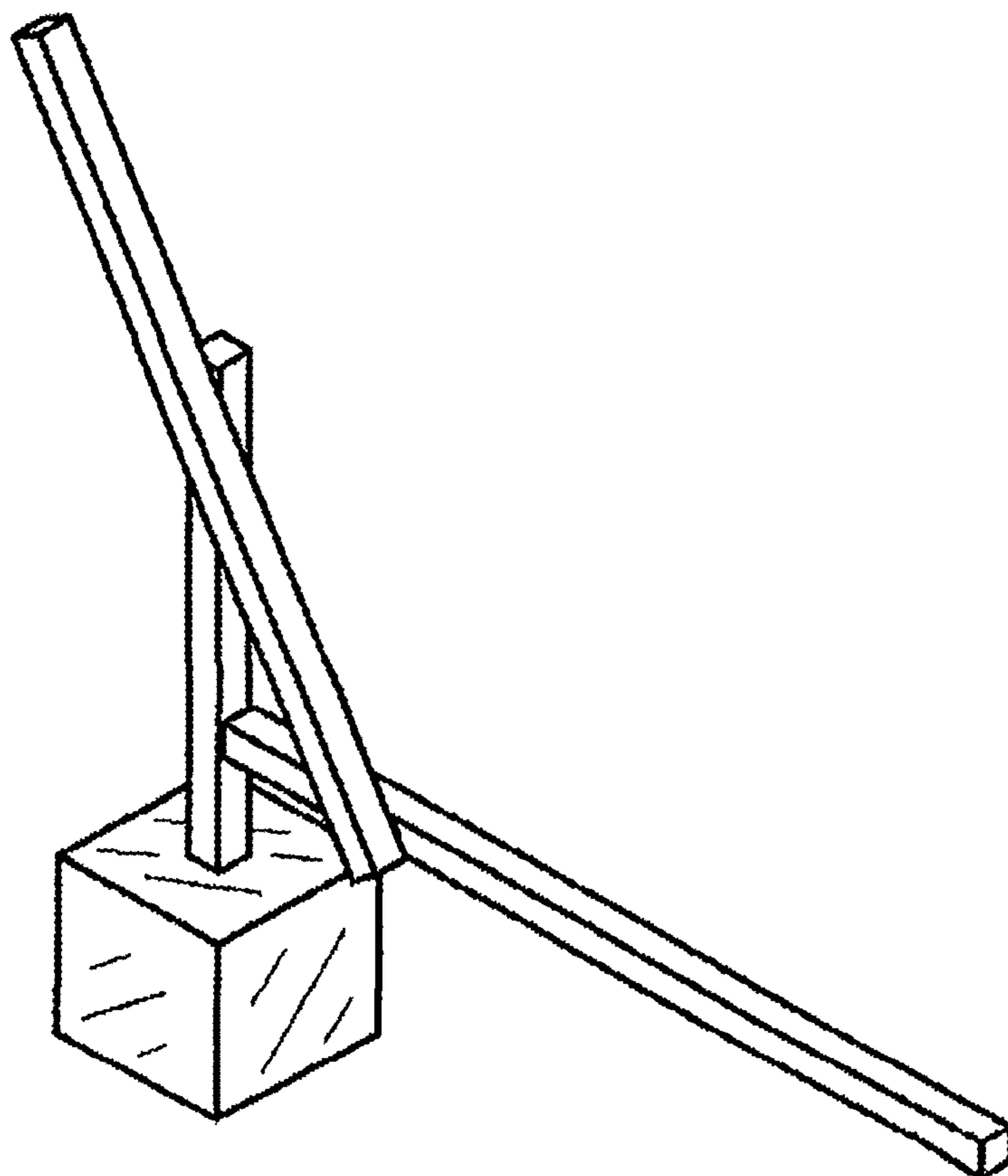


FIG. 6

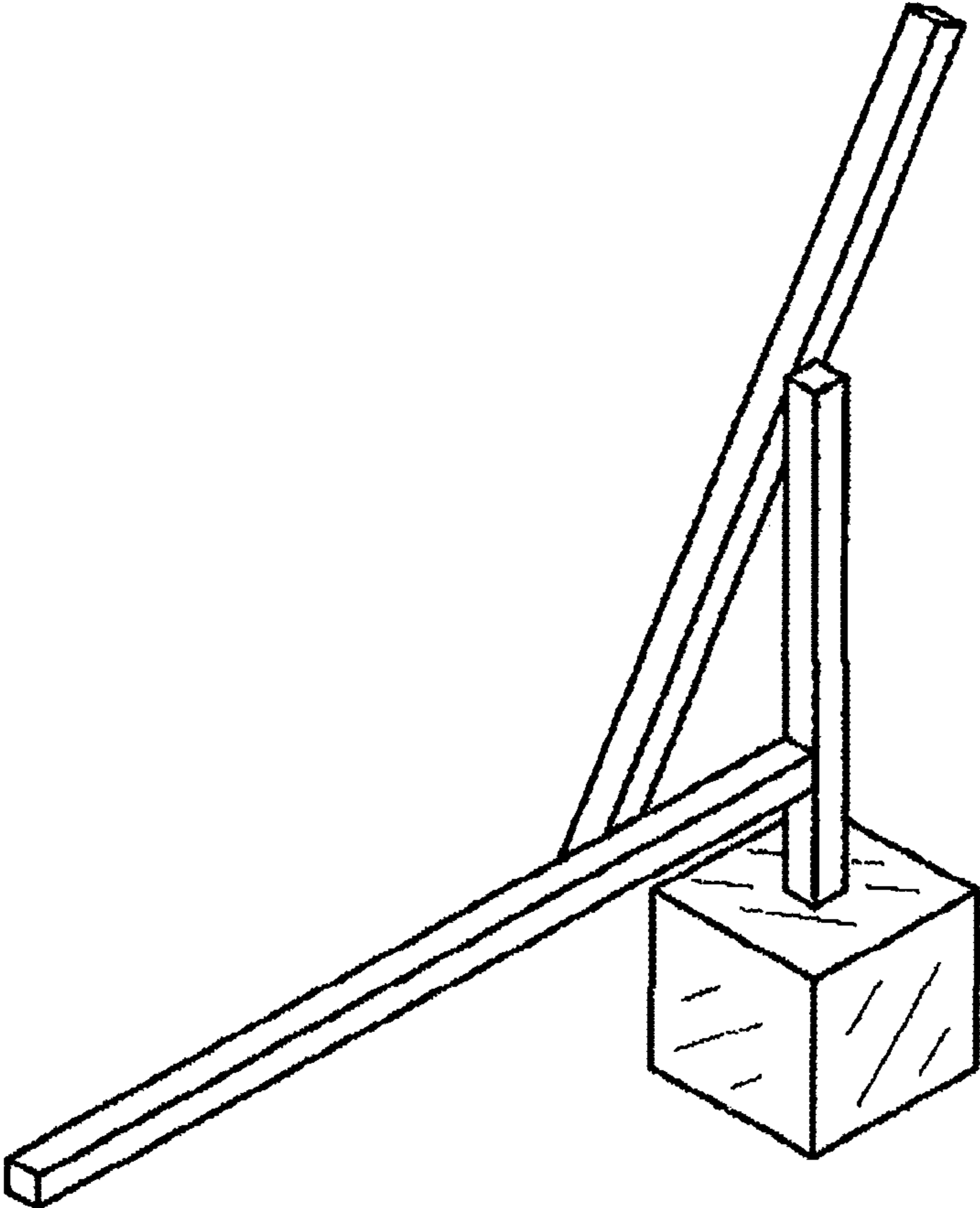


FIG. 7

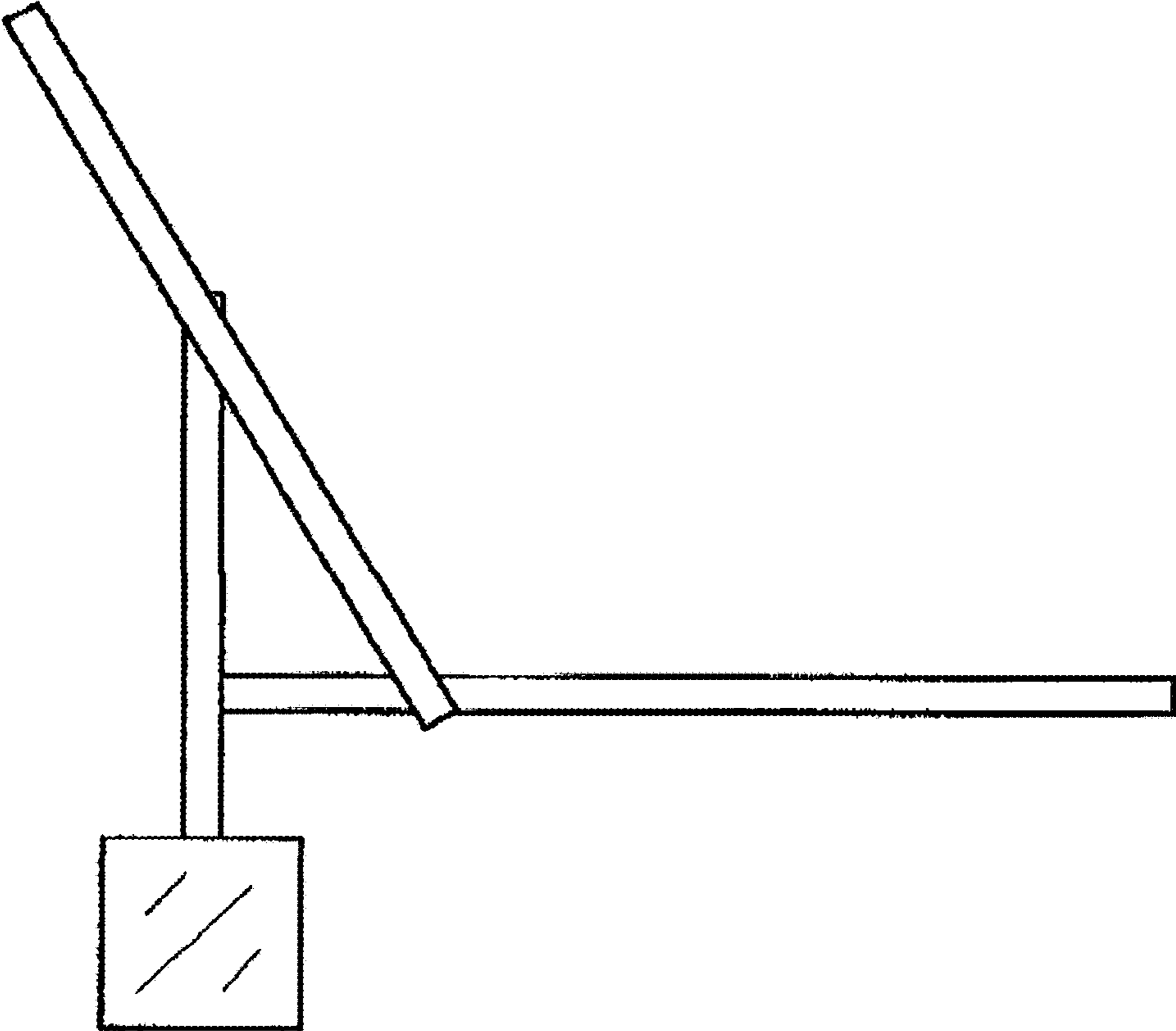


FIG. 8

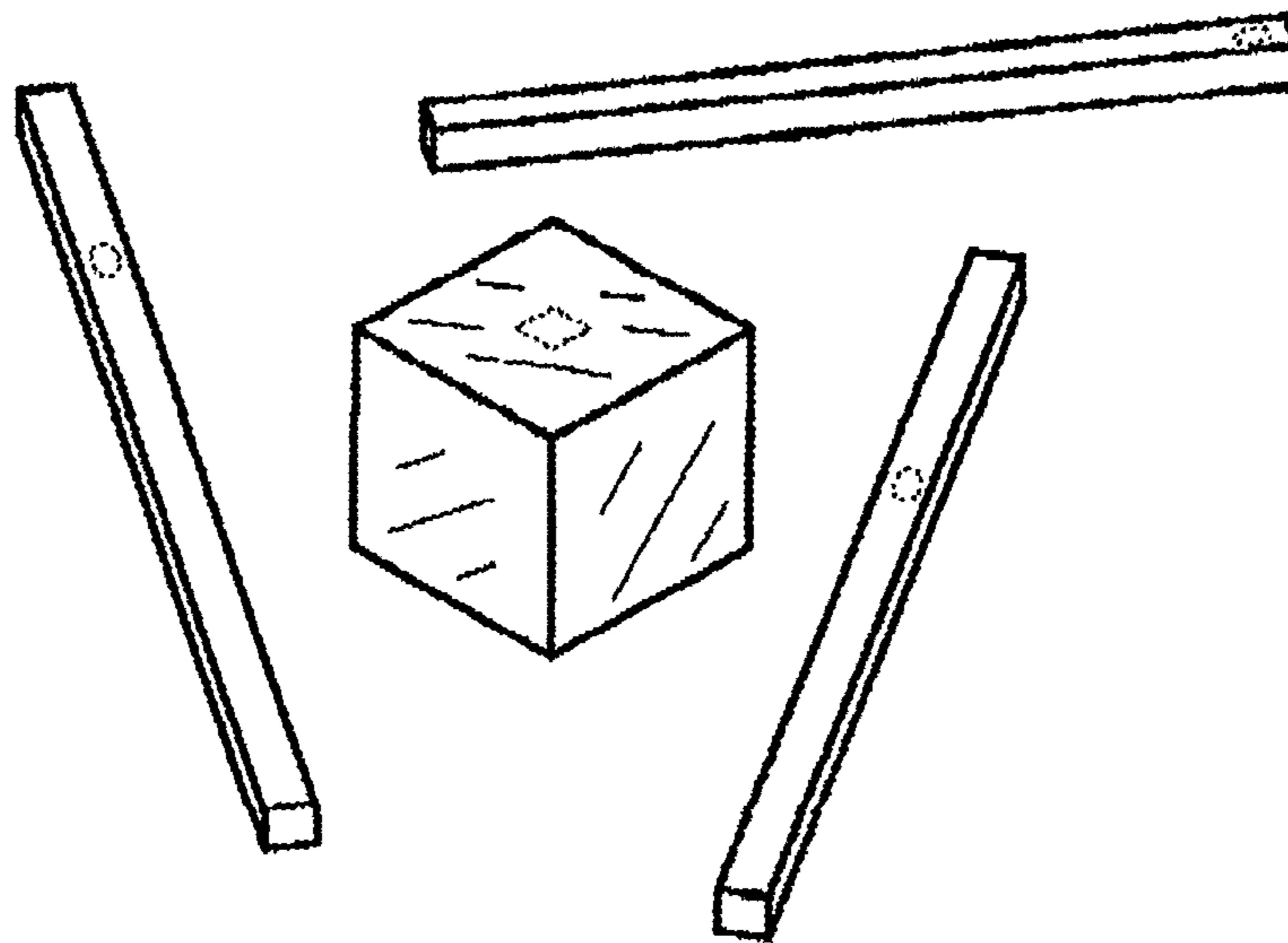


FIG. 9