

US00D814090S

(12) **United States Design Patent**
Deng

(10) **Patent No.:** **US D814,090 S**

(45) **Date of Patent:** **** Mar. 27, 2018**

(54) **DECORATIVE LIGHTS PROJECTOR**

(71) Applicant: **E. MISHAN & SONS, INC.**, New York, NY (US)

(72) Inventor: **Daniel Deng**, Dongguan (CN)

(73) Assignee: **E. Mishan & Sons, Inc.**, New York, NY (US)

(**) Term: **15 Years**

(21) Appl. No.: **29/611,136**

(22) Filed: **Jul. 19, 2017**

(51) **LOC (11) Cl.** **26-03**

(52) **U.S. Cl.**
USPC **D26/63**

(58) **Field of Classification Search**
USPC D26/1, 24, 61, 63, 65, 85, 92
CPC F21V 21/14; F21V 15/01; F21V 14/02;
F21V 21/30; F21V 21/00; F21V 14/00;
F21S 8/00; F21S 8/003; F21S 8/043;
F21Y 2105/001
See application file for complete search history.

(56) **References Cited**

U.S. PATENT DOCUMENTS

2,608,779	A	9/1952	Joy
3,531,636	A	9/1970	Birch
3,634,679	A	1/1972	Krzyston
3,755,664	A	8/1973	Reiback
3,760,176	A	9/1973	Trop
3,949,350	A	4/1976	Smith
4,107,764	A	8/1978	Riley
4,249,331	A	2/1981	Vernon
4,847,739	A	7/1989	Saraceni
4,999,060	A	3/1991	Szekely et al.
5,055,984	A	10/1991	Hung et al.
5,062,028	A	10/1991	Frost et al.
5,241,418	A	8/1993	Doak

D414,579	S *	9/1999	Denison	D26/63
D441,116	S	4/2001	Sanoner		
6,471,370	B2	10/2002	Schleifer		
D471,223	S	3/2003	Whitney		
6,563,269	B2	5/2003	Robinett et al.		
D496,483	S	9/2004	Christianson		
7,033,037	B2	4/2006	Chen		
7,182,472	B2	2/2007	Vitantonio et al.		
D542,959	S *	5/2007	Yao	D26/63
7,210,816	B2	5/2007	Lin		
D547,899	S	7/2007	VanderSchuit		
D559,091	S *	1/2008	Skorka	D8/367
D574,532	S *	8/2008	Lee	D26/63
7,473,002	B1	1/2009	Chen		
7,661,838	B2	2/2010	Chen		
7,784,959	B2	8/2010	Yang		
D625,871	S *	10/2010	Huang	D26/63
8,007,134	B2	8/2011	Allegri		
D659,871	S *	5/2012	Lee	D26/63
8,602,585	B1	12/2013	Lowe et al.		

(Continued)

Primary Examiner — Brian N. Vinson

(74) *Attorney, Agent, or Firm* — Notaro, Michalos & Zaccaria P.C.

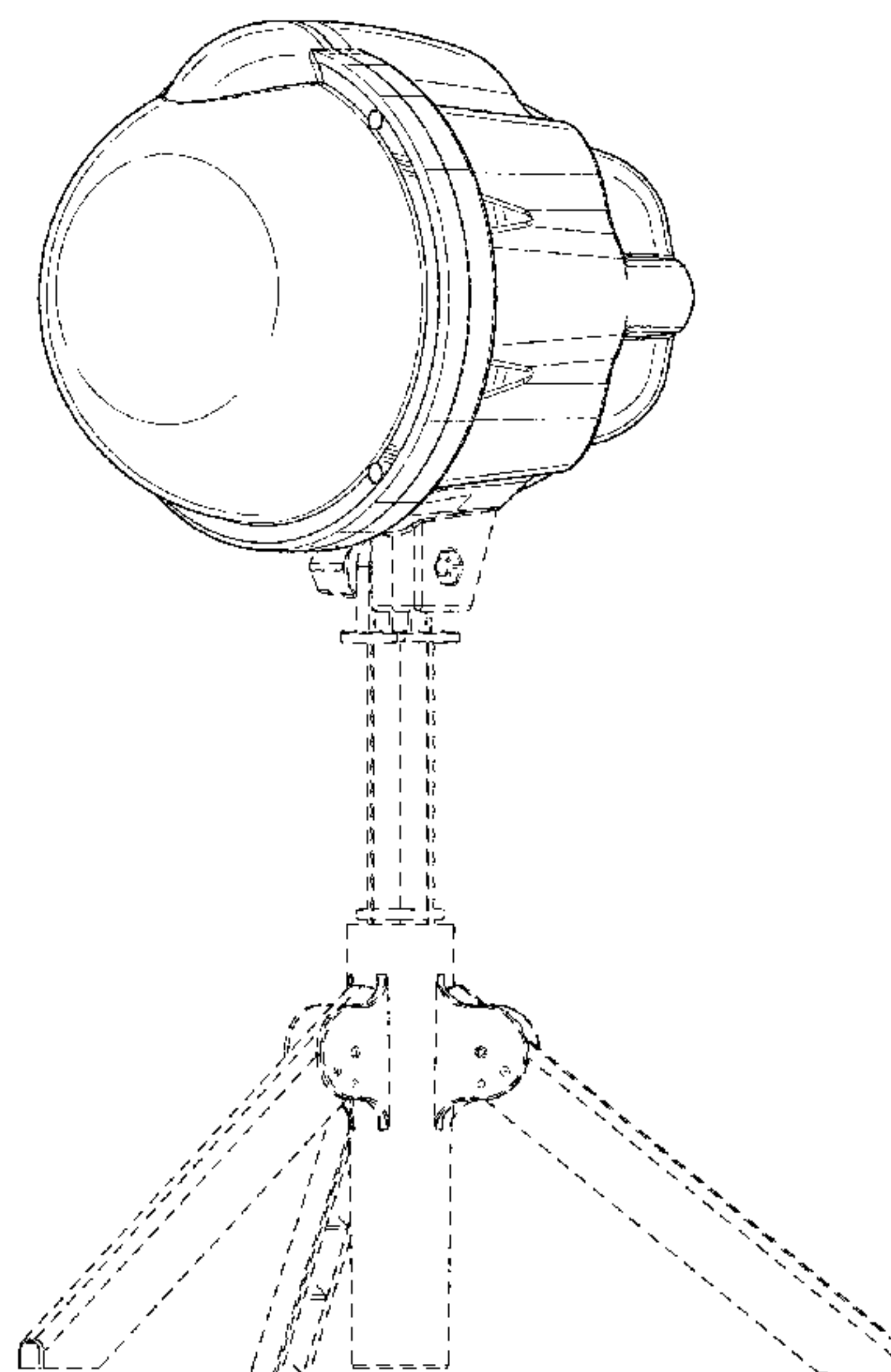
(57) **CLAIM**

The ornamental design for a decorative lights projector, as shown and described.

DESCRIPTION

FIG. 1 is a front, right perspective view of a decorative lights projector showing my design therefor;
FIG. 2 is a front plan view thereof;
FIG. 3 is a left side elevational view thereof;
FIG. 4 is a right side elevational view thereof;
FIG. 5 is a top plan view thereof;
FIG. 6 is a bottom plan view thereof; and,
FIG. 7 is a rear elevational view thereof.
The broken line disclosure represents portions of the projector which form no part of the claimed design.

1 Claim, 7 Drawing Sheets



(56)

References Cited

U.S. PATENT DOCUMENTS

8,695,247	B1	4/2014	Yang	
8,915,607	B2	12/2014	Yang	
9,013,775	B2	4/2015	Dear	
9,068,726	B2	6/2015	Zhang	
9,115,856	B1	8/2015	Robinson	
9,121,559	B2	9/2015	Johnson et al.	
9,122,136	B2	9/2015	Tang	
9,267,660	B1	2/2016	Wang	
9,310,059	B2	4/2016	Zhang	
9,395,061	B2	7/2016	Yang	
9,453,626	B2	9/2016	Bonet	
9,504,101	B2	11/2016	Zhang	
D773,707	S *	12/2016	Lentine	D26/63
9,551,472	B2	1/2017	Ding	
9,632,214	B2	4/2017	Streppel et al.	
9,664,373	B2	5/2017	Zhang	
D790,100	S	6/2017	Jadhav	
D791,381	S	7/2017	Chang et al.	
9,696,025	B2	7/2017	Zhang	
2005/0103378	A1	5/2005	Pu et al.	
2007/0097681	A1	5/2007	Chich et al.	
2008/0151545	A1	6/2008	Kratz	
2010/0091479	A1	4/2010	Martin	
2010/0277900	A1	11/2010	Cohen	
2014/0227940	A1	8/2014	Jones	
2015/0211701	A1	7/2015	Chien	
2017/0038031	A1	2/2017	Chien	
2017/0175963	A1	6/2017	Lentine et al.	
2017/0175993	A1	6/2017	Fornataro	
2017/0193867	A1	7/2017	Ku et al.	

* cited by examiner

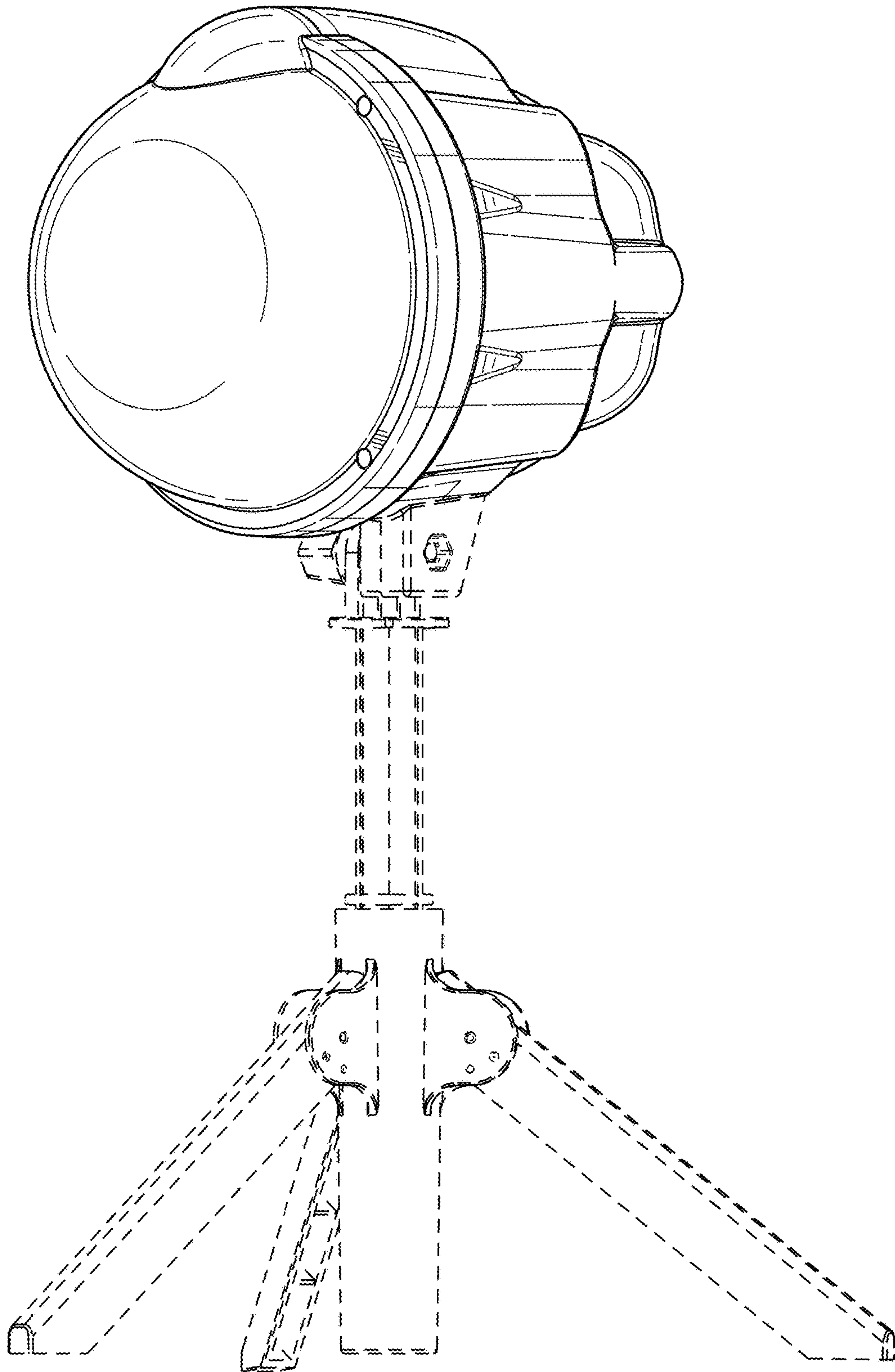


FIG. 1

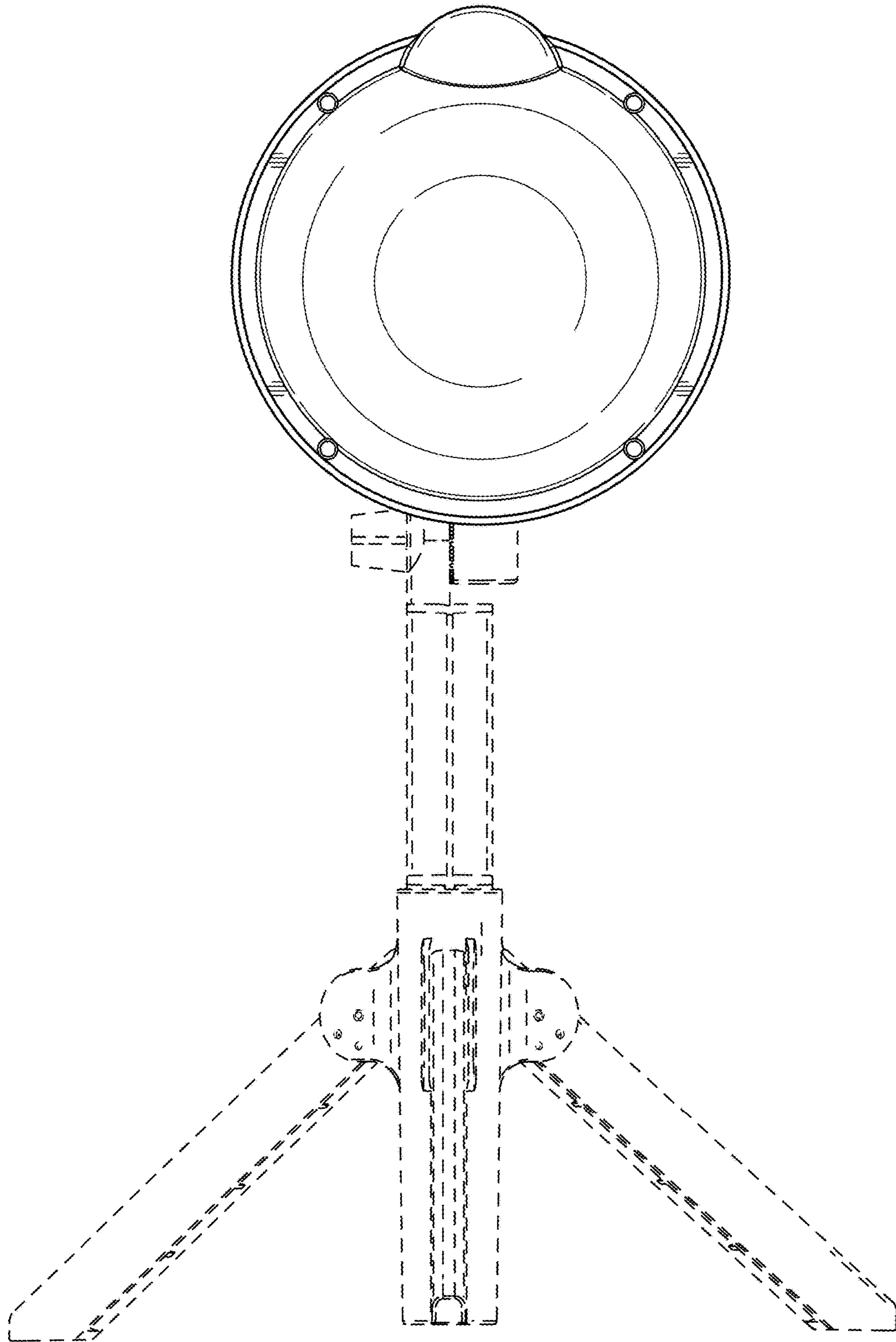


FIG. 2

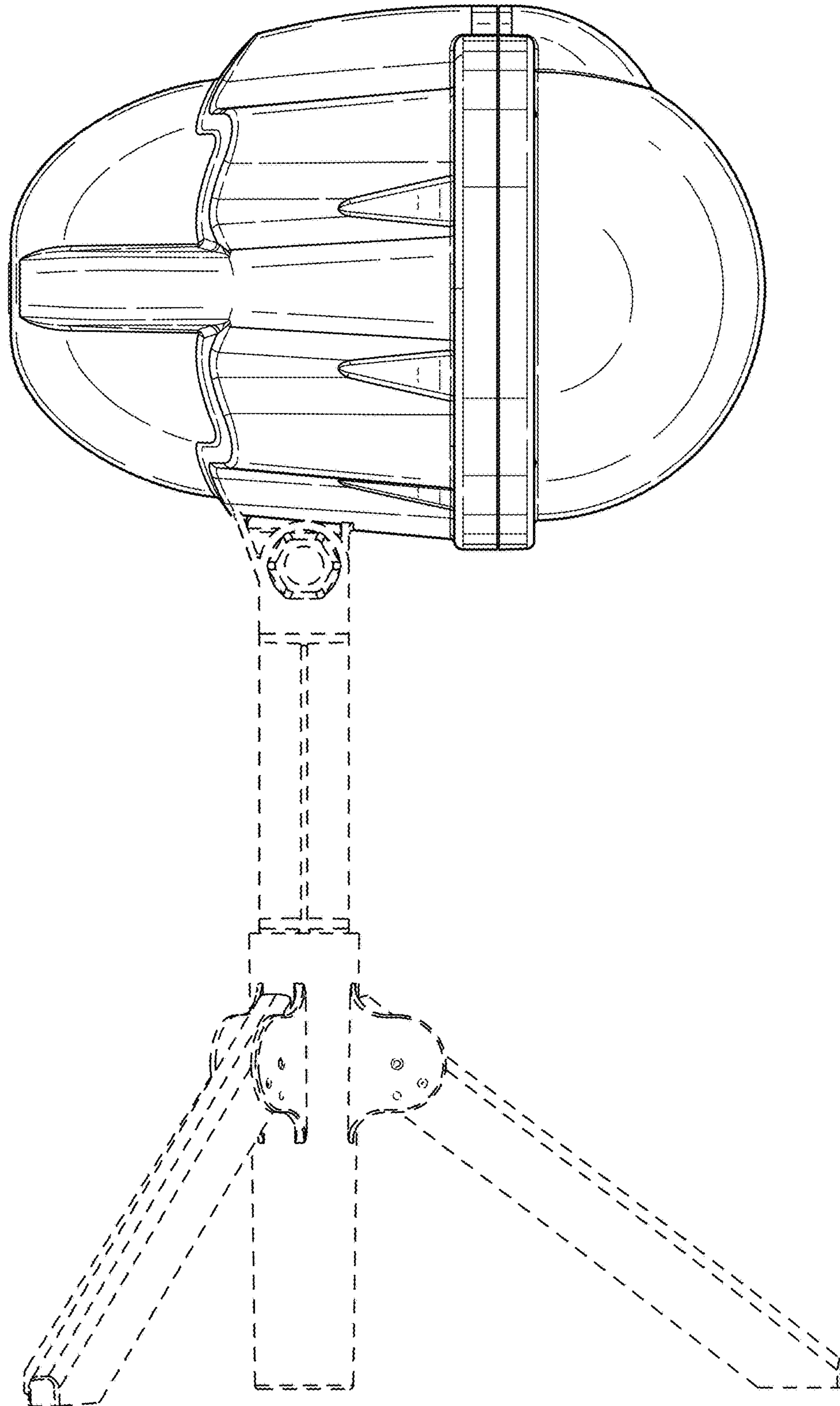


FIG. 3

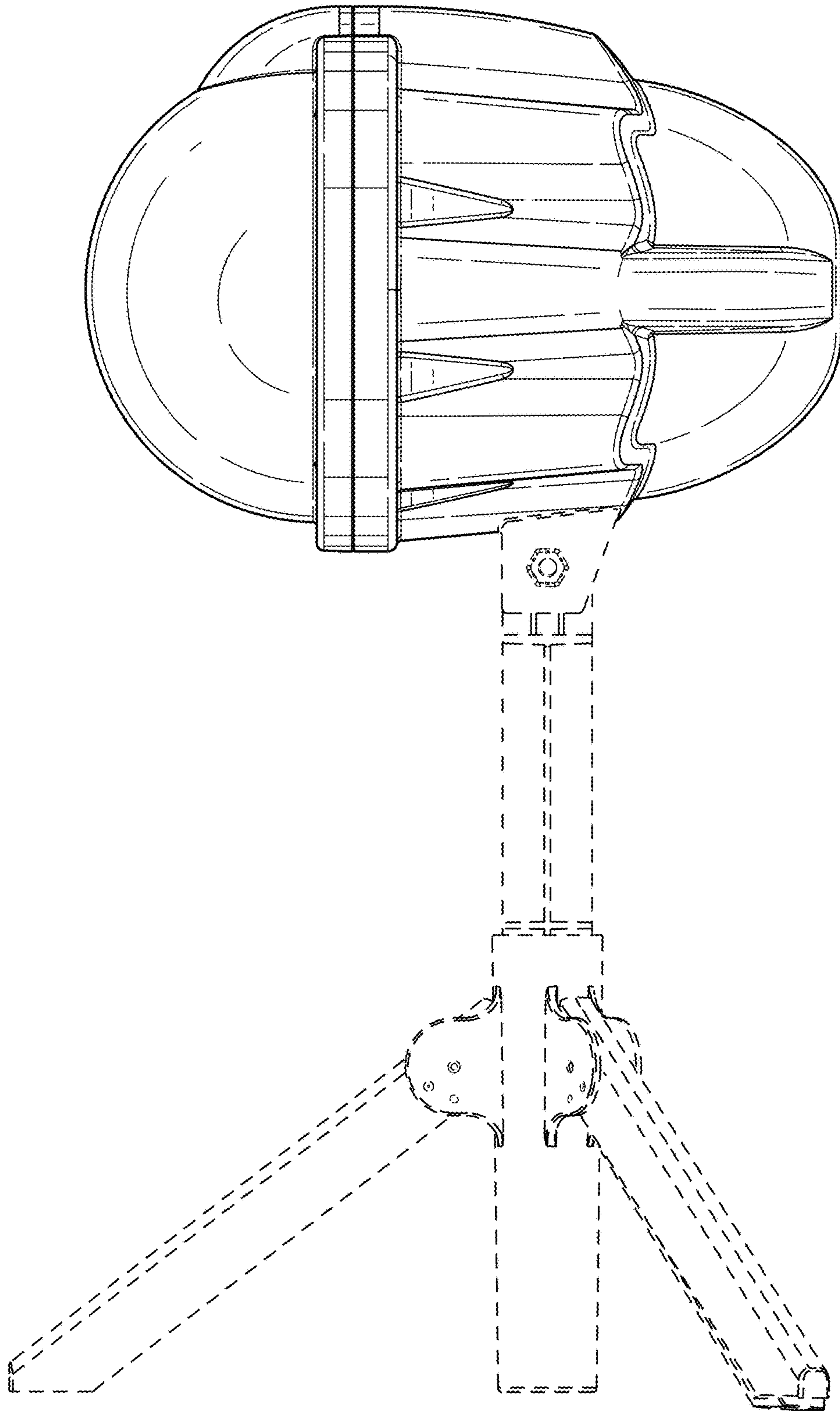


FIG. 4

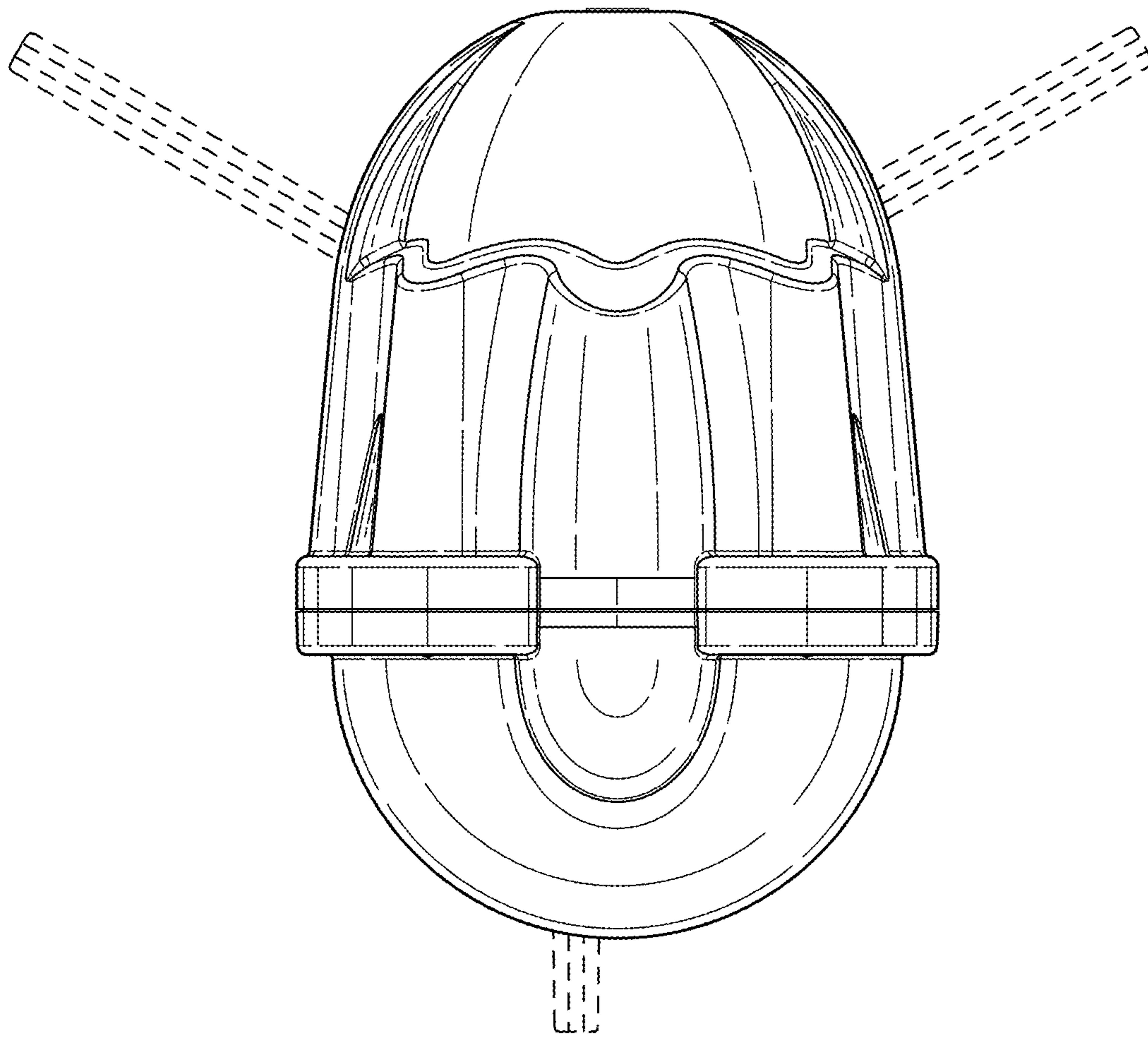


FIG. 5

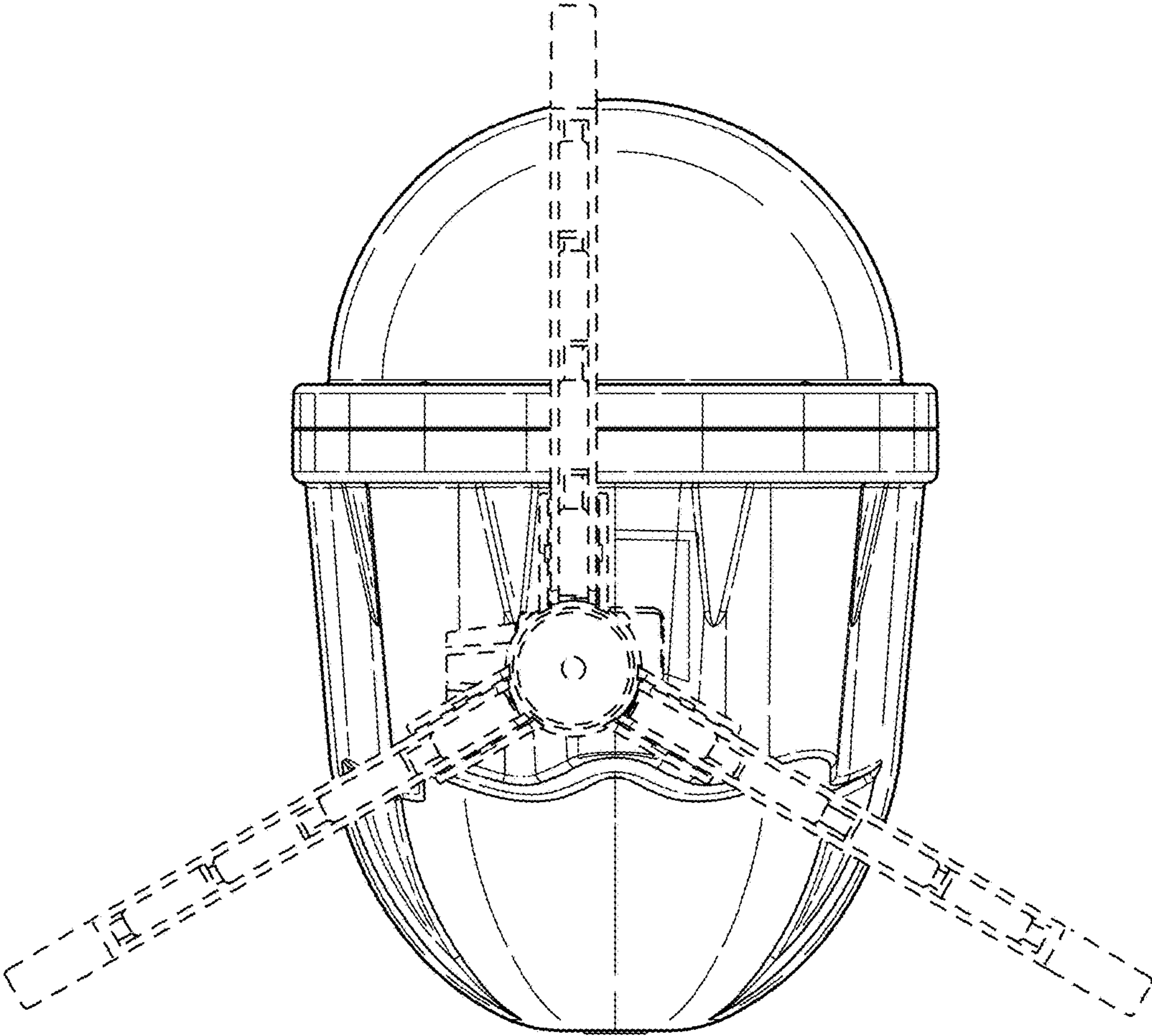


FIG. 6

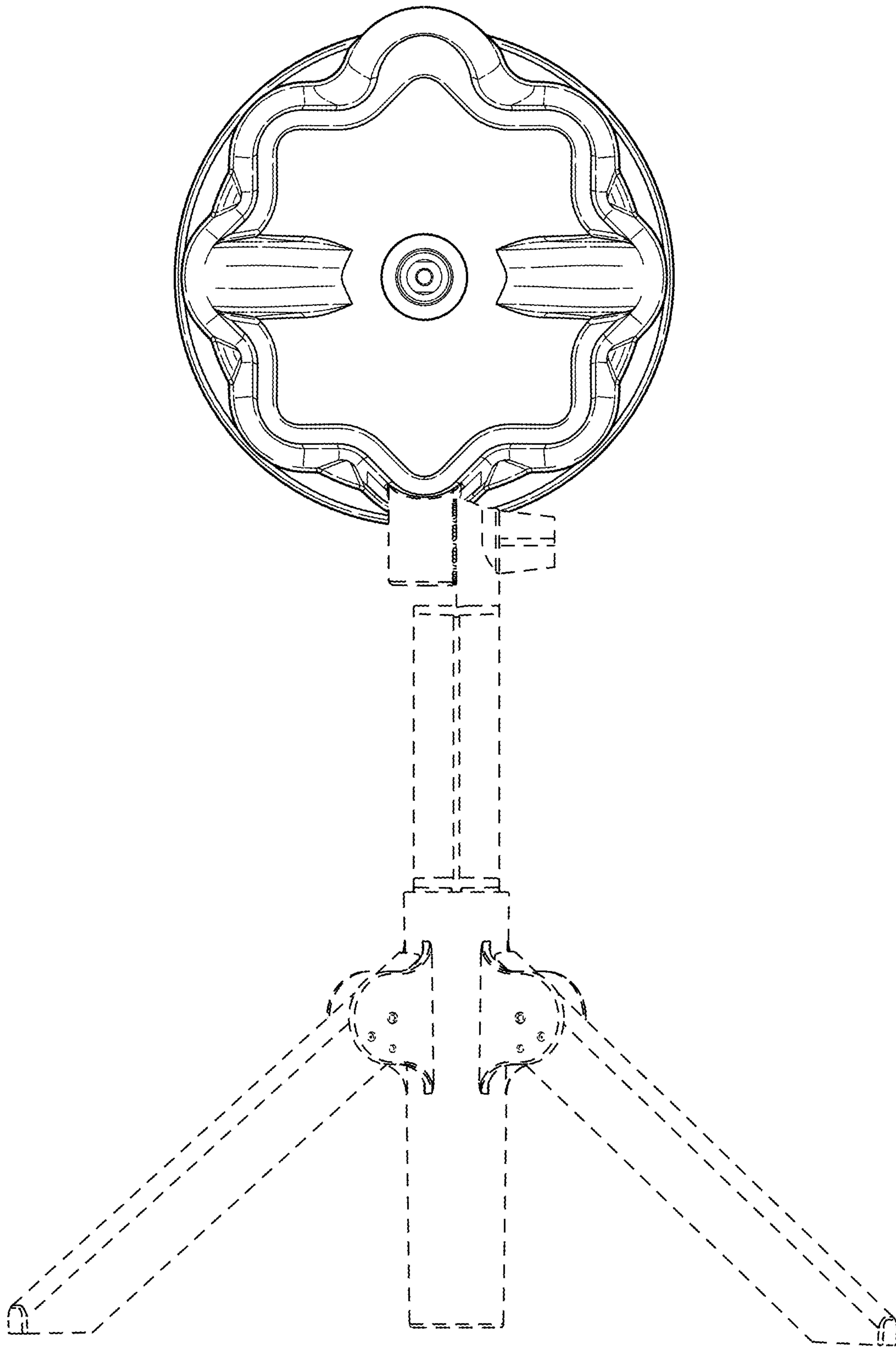


FIG. 7