

US00D814089S

(12) **United States Design Patent**
Exley

(10) **Patent No.:** **US D814,089 S**

(45) **Date of Patent:** **** Mar. 27, 2018**

- (54) **TOILET BOWL LIGHT HOUSING**
- (71) Applicant: **Ontel Products Corporation**, Fairfield, NJ (US)
- (72) Inventor: **Ross Exley**, Morristown, NJ (US)
- (73) Assignee: **Ontel Products Corporation**, Fairfield, NJ (US)

5,150,962 A * 9/1992 Rauschenberger ... F21V 33/004
362/101

5,263,209 A 11/1993 Pattee
5,276,595 A 1/1994 Patrie
(Continued)

(**) Term: **15 Years**

(21) Appl. No.: **29/583,864**

(22) Filed: **Nov. 9, 2016**

(51) **LOC (11) Cl.** **26-03**

(52) **U.S. Cl.**
USPC **D26/60**

(58) **Field of Classification Search**
USPC D26/37, 39, 38, 46, 60
CPC F21V 33/00; F21V 14/025; F21V 21/406;
F21V 33/004; F21Y 2101/02; F21L
17/00; F21L 13/08; A47K 13/30; E03C
9/00

See application file for complete search history.

(56) **References Cited**

U.S. PATENT DOCUMENTS

- | | | | |
|---------------|---------|-----------------|------------------------|
| 2,458,019 A | 1/1949 | Niles | |
| 2,947,850 A | 8/1960 | Reilly | |
| 4,413,364 A | 11/1983 | Bittaker et al. | |
| 4,623,955 A | 11/1986 | Santini | |
| 4,736,471 A | 4/1988 | Johnson | |
| 4,819,276 A | 4/1989 | Stevens | |
| 4,860,178 A * | 8/1989 | Picon | E03D 9/00
362/101 |
| 5,003,648 A * | 4/1991 | Anderson | A47K 13/30
4/314 |
| 5,123,130 A | 6/1992 | Sanders | |
| 5,136,476 A * | 8/1992 | Horn | F21V 33/004
362/198 |

FOREIGN PATENT DOCUMENTS

CA 2191047 A1 5/1998
CA 2893700 A1 12/2015
(Continued)

OTHER PUBLICATIONS

<https://illumibowl.com/Motion Activated Toilet Night Light>.
<http://www.glowbowl.com/>.

Primary Examiner — Brian N. Vinson

(74) *Attorney, Agent, or Firm* — John S. Artz; Dickinson Wright PLLC

(57) **CLAIM**

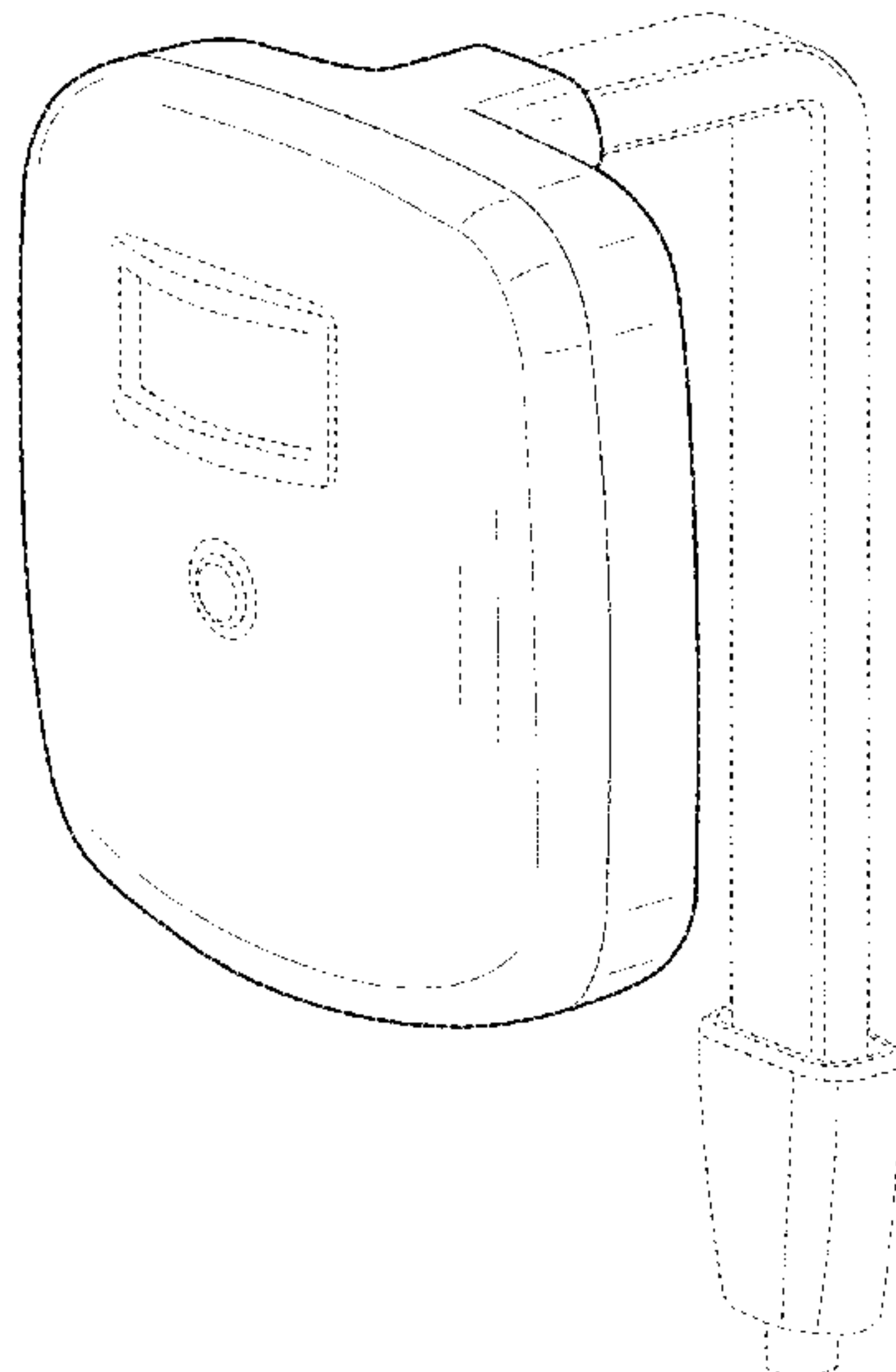
The ornamental design for a toilet bowl light housing, as shown and described.

DESCRIPTION

FIG. 1 is a perspective view of a toilet bowl light housing; FIG. 2 is a front view of the toilet bowl light housing of FIG. 1; FIG. 3 is a right side view of the toilet bowl light housing of FIG. 1; FIG. 4 is a back view of the toilet bowl light housing of FIG. 1; FIG. 5 is a left side view of the toilet bowl light housing of FIG. 1; FIG. 6 is a top view of the toilet bowl light housing of FIG. 1; and, FIG. 7 is a bottom view of the toilet bowl light housing of FIG. 1.

The broken line disclosure in the views represents portions of the housing which form no part of the claimed design.

1 Claim, 7 Drawing Sheets



(56)

References Cited

U.S. PATENT DOCUMENTS

5,437,066 A 8/1995 Mills et al.
 5,513,397 A 5/1996 Terry
 5,611,089 A 3/1997 Cretors
 D382,360 S * 8/1997 Bixby D26/60
 5,664,867 A * 9/1997 Martin F21V 33/004
 340/686.1
 5,689,842 A 11/1997 Delaney et al.
 5,748,096 A 5/1998 Kaufer
 5,763,872 A 6/1998 Ness
 5,896,600 A 4/1999 Mills et al.
 5,926,867 A 7/1999 Buchanan
 6,003,160 A 12/1999 Seidle et al.
 6,203,164 B1 3/2001 Tufekci et al.
 6,231,203 B1 5/2001 Olshausen
 6,279,180 B1 8/2001 Bell et al.
 D481,448 S 10/2003 Argentina
 D493,241 S * 7/2004 Stuart D26/60
 7,036,158 B2 5/2006 Bradford et al.
 D571,031 S * 6/2008 Perkins D26/60
 7,585,092 B2 9/2009 Huffman
 D629,131 S * 12/2010 Seal D26/60
 8,281,429 B2 10/2012 Gunderson
 8,398,257 B1 3/2013 Paulus
 9,041,298 B2 5/2015 Andy et al.
 9,140,416 B2 9/2015 Bostic
 D795,477 S * 8/2017 Fissell D26/60
 2002/0178496 A1 12/2002 Benkhardt
 2002/0183810 A1 12/2002 Vlahos
 2004/0184273 A1 9/2004 Reynolds et al.
 2005/0071917 A1 4/2005 Landon
 2005/0108819 A1 5/2005 Bradford
 2006/0016000 A1 1/2006 Blakeslee
 2006/0042004 A1 3/2006 Busch
 2007/0294821 A1 12/2007 Griner

2011/0267201 A1 11/2011 Bucha
 2012/0068613 A1 3/2012 Veneto
 2013/0038225 A1 2/2013 Brian et al.
 2014/0022775 A1 1/2014 Bostic
 2014/0241003 A1 8/2014 Kosarnig
 2014/0310865 A1 10/2014 Lin
 2015/0316250 A1 11/2015 Mangrum
 2015/0351594 A1 12/2015 Veros et al.

FOREIGN PATENT DOCUMENTS

CN 201175307 Y 1/2009
 CN 201743614 U 2/2011
 CN 104042158 A 9/2014
 CN 2819974 A1 11/2014
 CN 204285152 U 4/2015
 CN 204403944 U 6/2015
 CN 204445663 U 7/2015
 EP 1024326 A2 8/2000
 EP 1024326 A3 10/2001
 GB 2400117 A 10/2004
 GB 2408568 A 6/2005
 GB 2514695 B 4/2015
 JP 2003288810 A 10/2003
 JP 2004218243 A 8/2004
 JP 2007117238 A 5/2007
 JP 2008016409 A 1/2008
 JP 4734361 B2 7/2011
 JP 2011235056 A 11/2011
 KR 1020090108172 A 10/2009
 KR 101002630 B1 12/2010
 WO 9525853 A1 9/1995
 WO 2004094900 A1 11/2004
 WO 2010063855 A1 6/2010
 WO 2012125803 A1 9/2012
 WO 2014176667 A1 11/2014

* cited by examiner

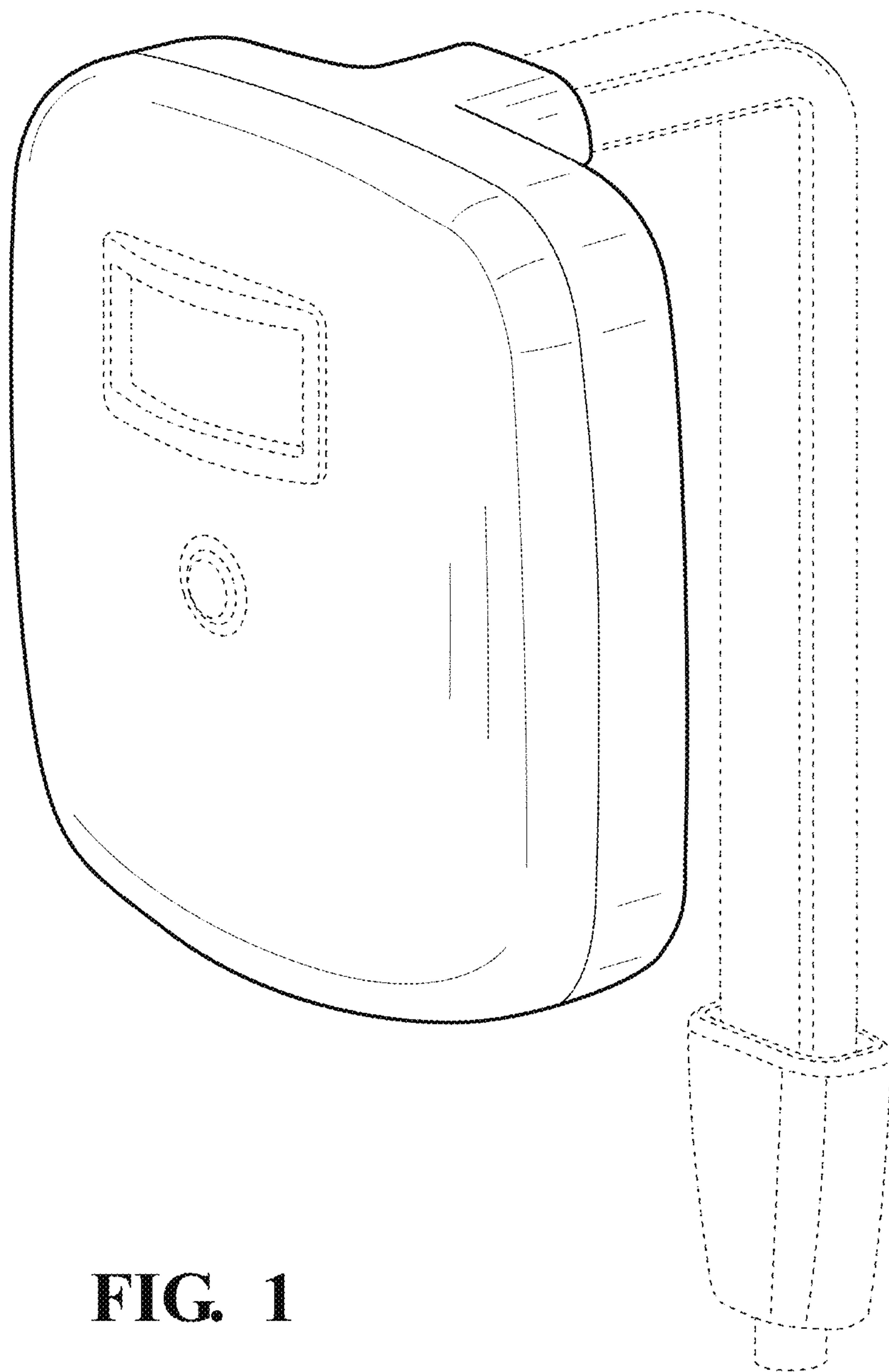


FIG. 1

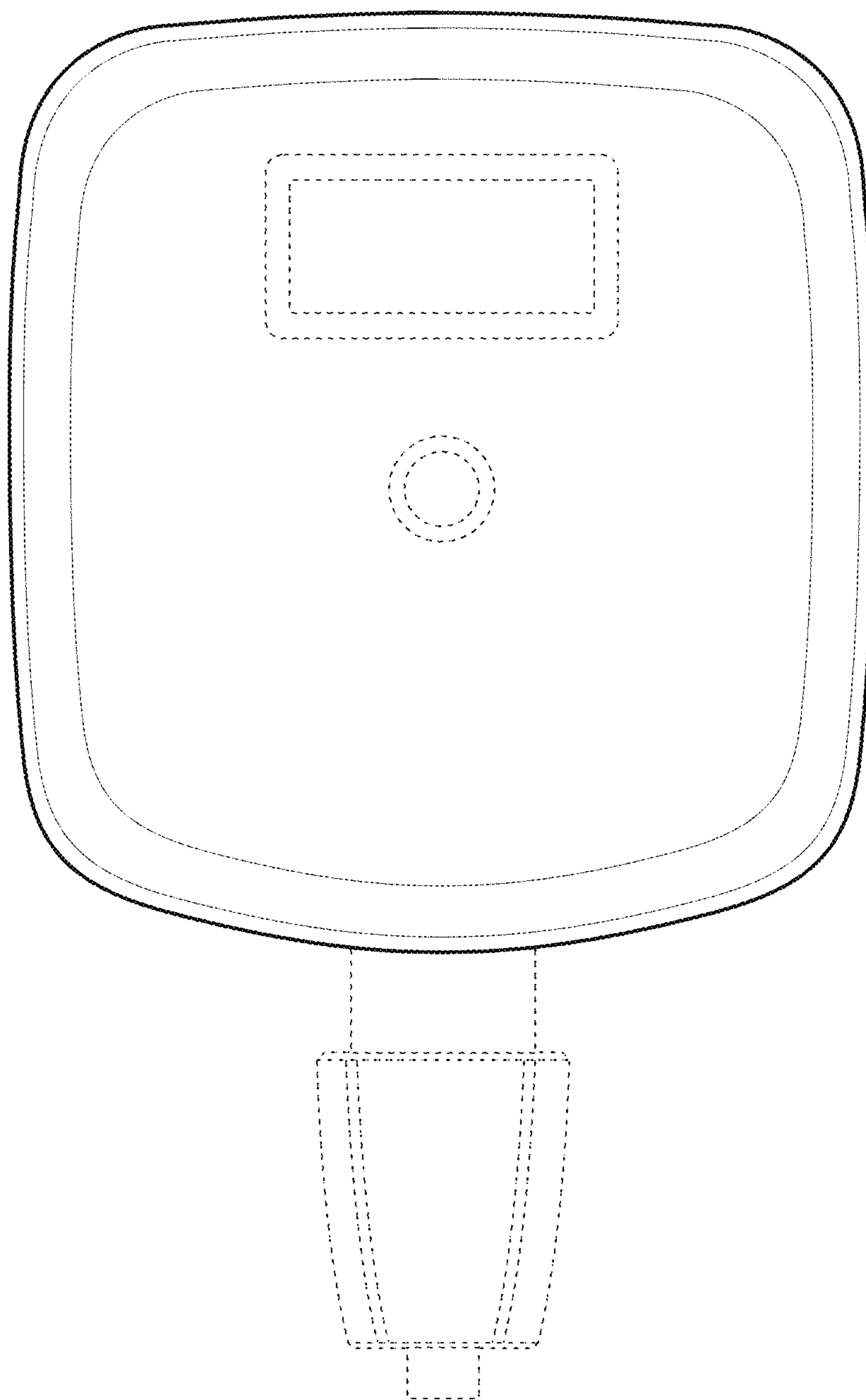


FIG. 2

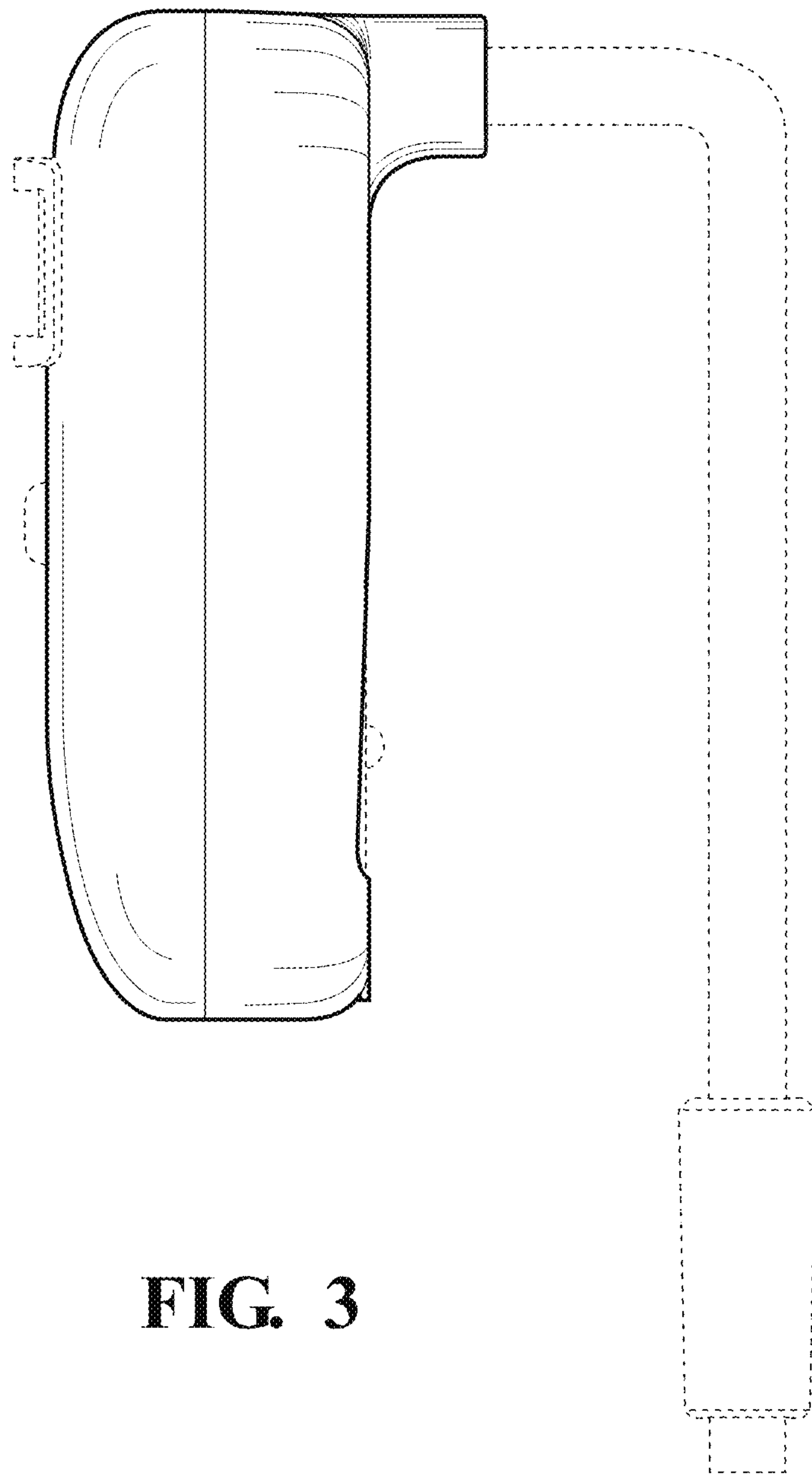


FIG. 3

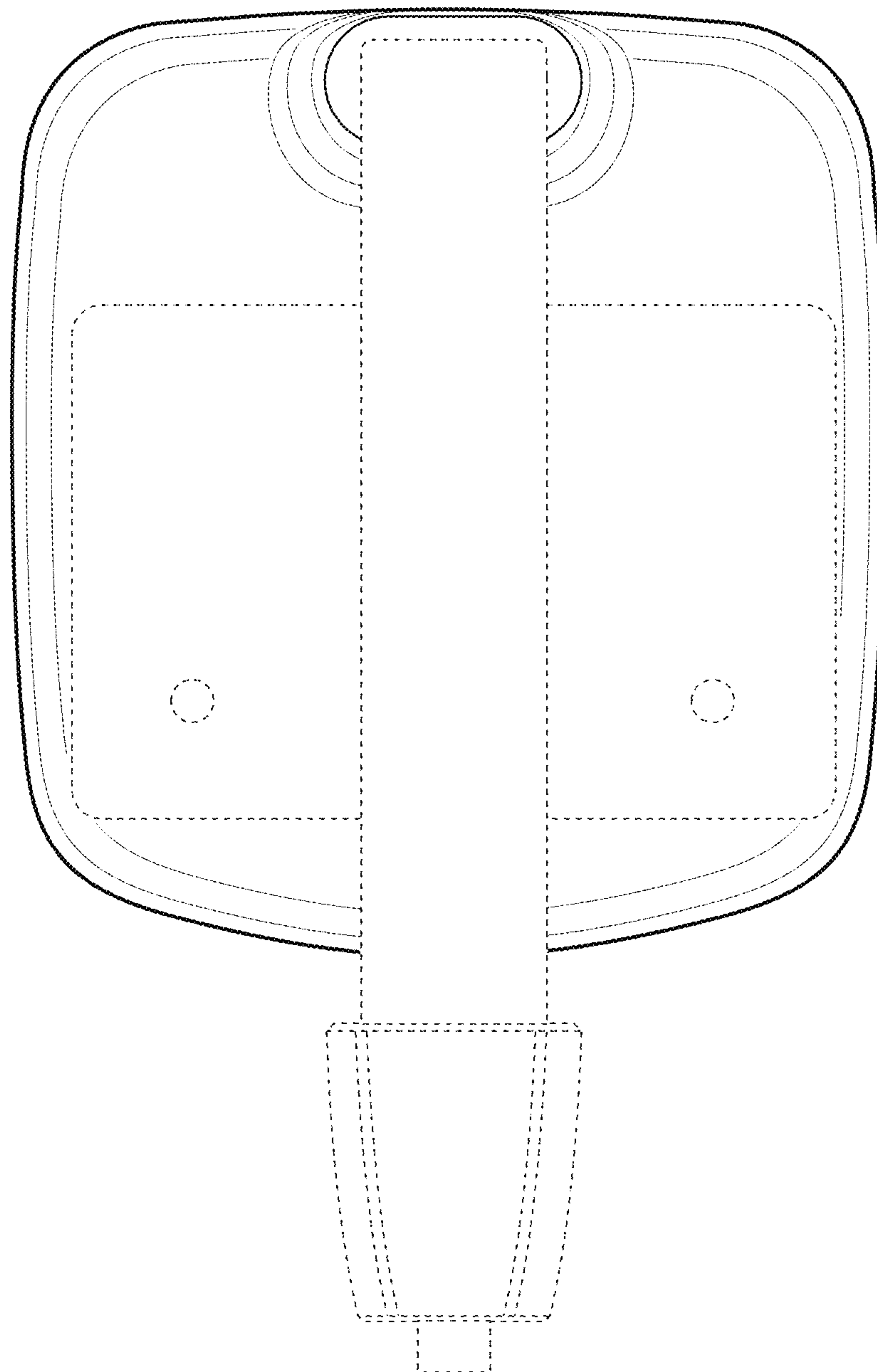


FIG. 4

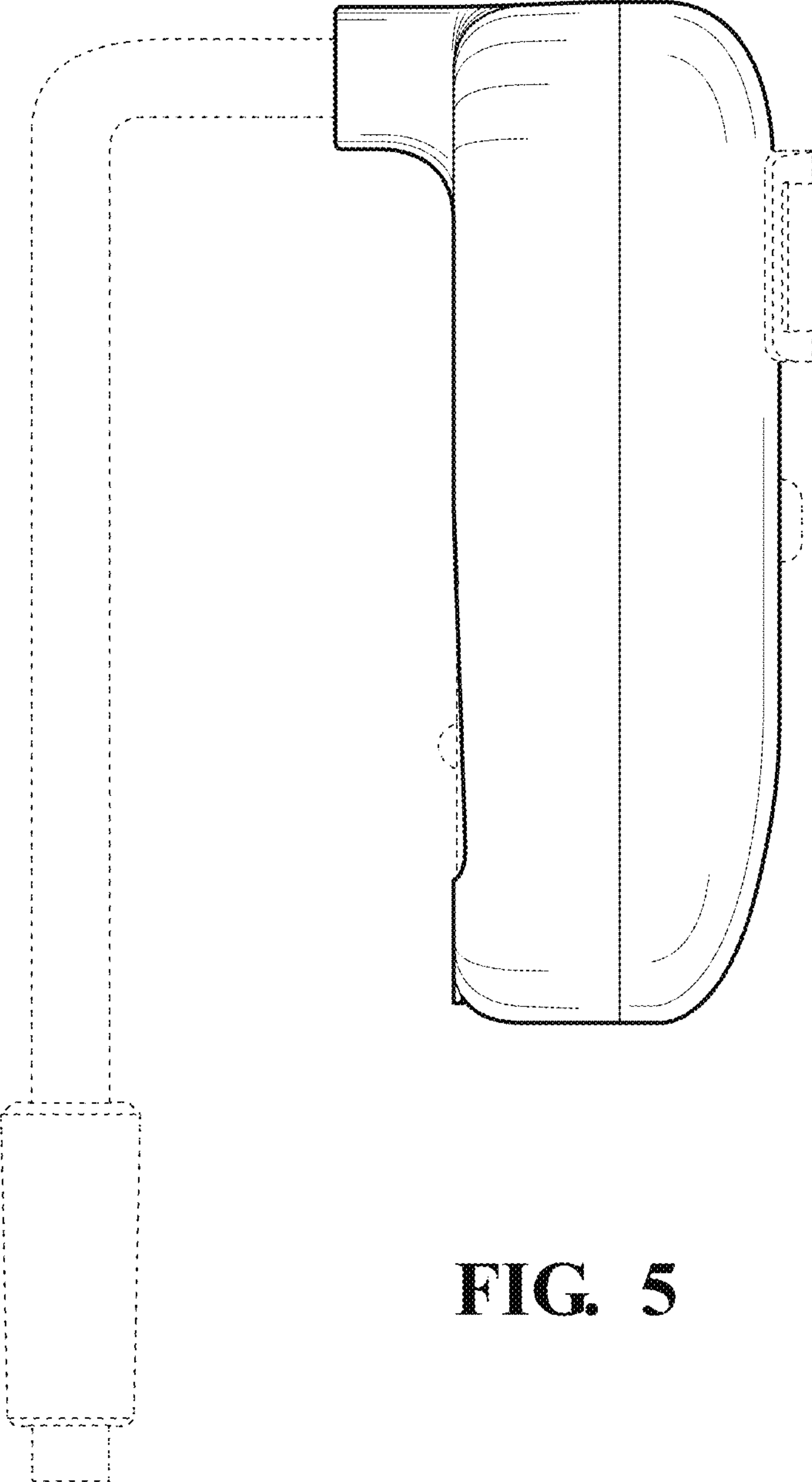


FIG. 5

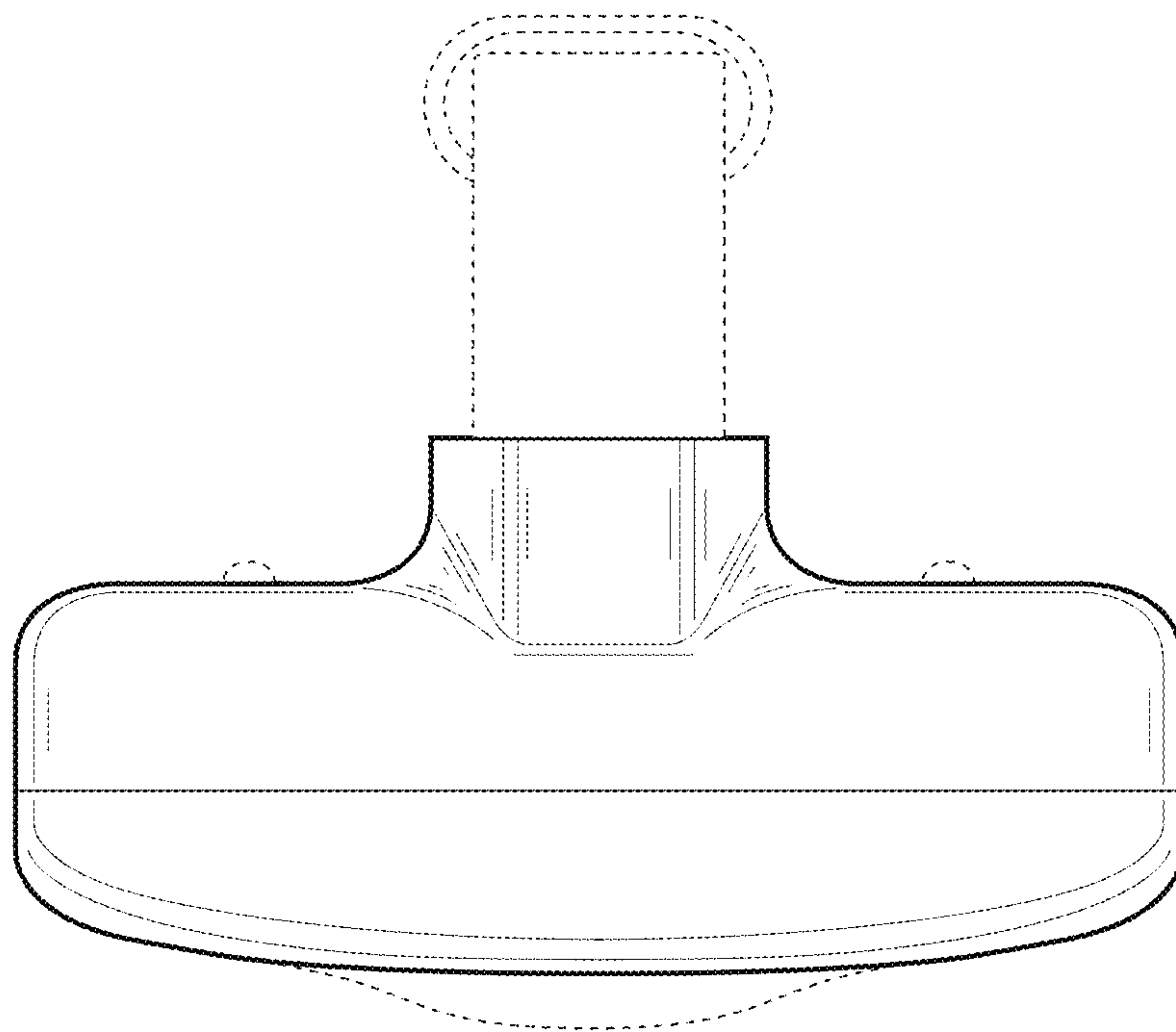


FIG. 6

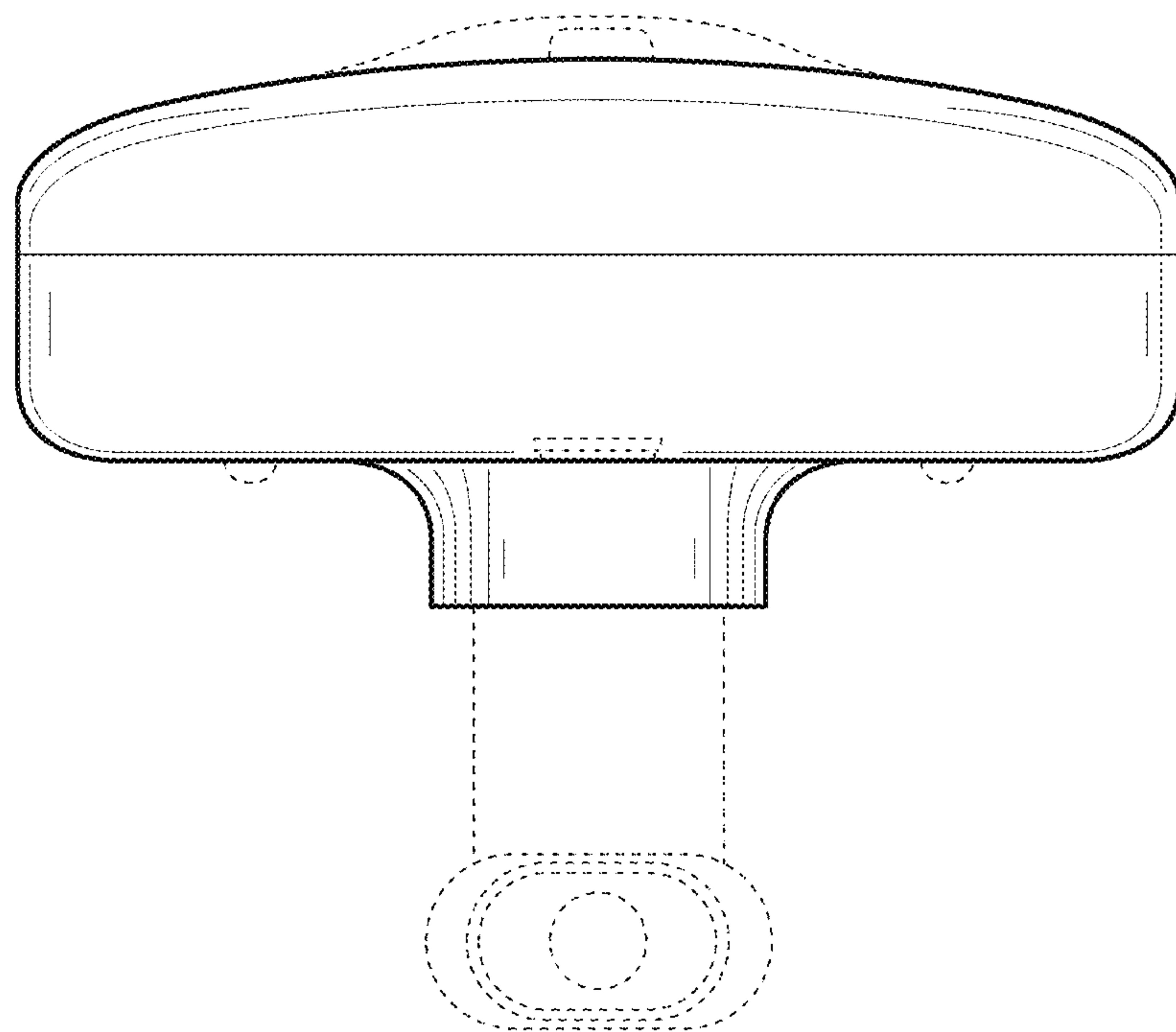


FIG. 7