



US00D814088S

(12) **United States Design Patent** (10) **Patent No.:** **US D814,088 S**
Cao (45) **Date of Patent:** **** Mar. 27, 2018**

(54) **FLASHLIGHT**
(71) Applicant: **Jieqiong Cao**, Henan (CN)
(72) Inventor: **Jieqiong Cao**, Henan (CN)
(**) Term: **15 Years**
(21) Appl. No.: **29/587,334**
(22) Filed: **Dec. 12, 2016**
(51) **LOC (11) Cl.** **26-02**
(52) **U.S. Cl.**
USPC **D26/49**
(58) **Field of Classification Search**
USPC D26/37, 38, 46, 49, 51
CPC F21L 2003/00; F21L 4/00; F21L 4/005;
F21L 4/02; F21L 4/025; F21L 4/027;
F21L 4/04; F21L 4/08; F21L 2005/00;
F21L 7/00; F21L 11/00; F21L 13/00;
F21L 13/04; F21L 13/08; F21L 14/02;
F21L 17/00; F21L 19/00
See application file for complete search history.

D541,454 S * 4/2007 Galey D26/49
D668,806 S * 10/2012 Chapman D26/49
D683,877 S * 6/2013 Brands D26/49
D698,961 S * 2/2014 Dalton D26/49
D744,137 S * 11/2015 Ma D26/49
D745,987 S * 12/2015 Nawaz D22/117
D770,071 S * 10/2016 Windom D26/49
D785,842 S * 5/2017 Huang D26/49
D786,466 S * 5/2017 Prieto D26/49
D794,857 S * 8/2017 Sharrah D26/49

* cited by examiner

Primary Examiner — Lakiya Rogers
Assistant Examiner — Carissa C Fitts

(57) **CLAIM**

The ornamental design for a flashlight, as shown and described.

DESCRIPTION

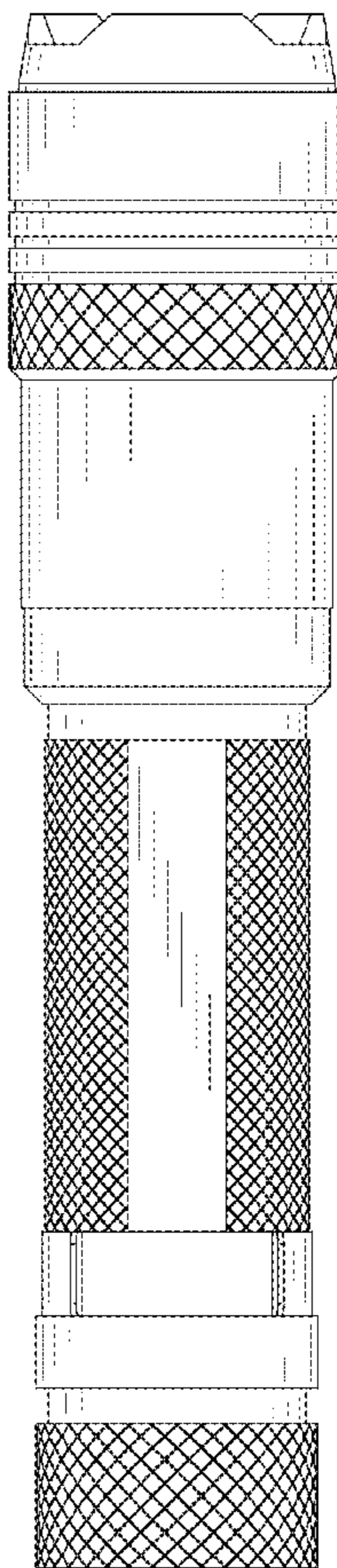
FIG. 1 is a front view of the flashlight showing our new design;
FIG. 2 is a back view thereof;
FIG. 3 is a left side view thereof;
FIG. 4 is a right side view thereof;
FIG. 5 is a top view thereof;
FIG. 6 is a bottom view thereof;
FIG. 7 is a top perspective view thereof; and,
FIG. 8 is a bottom perspective view thereof.

(56) **References Cited**

U.S. PATENT DOCUMENTS

D479,354 S * 9/2003 Sharrah D26/49
D521,170 S * 5/2006 Craft D26/49

1 Claim, 5 Drawing Sheets



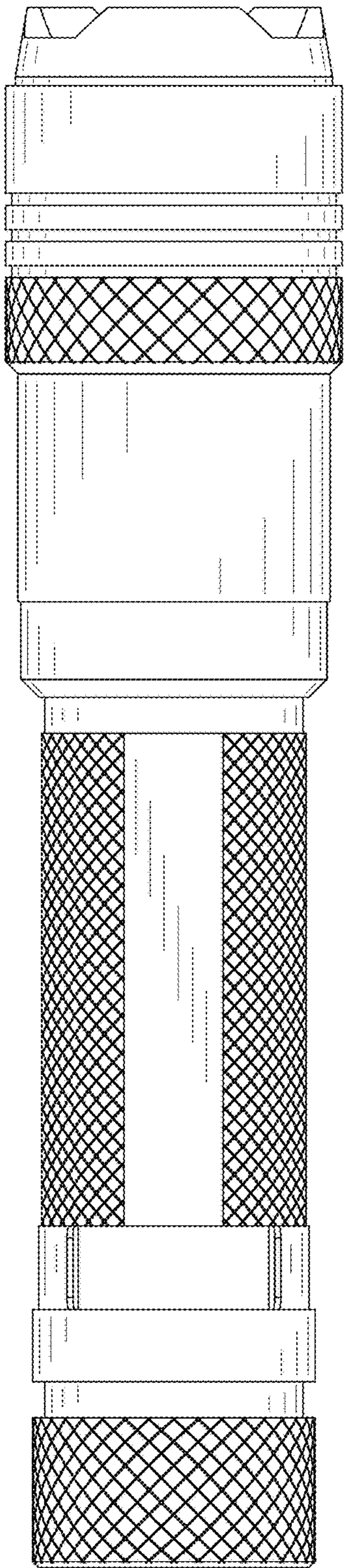


FIG. 1

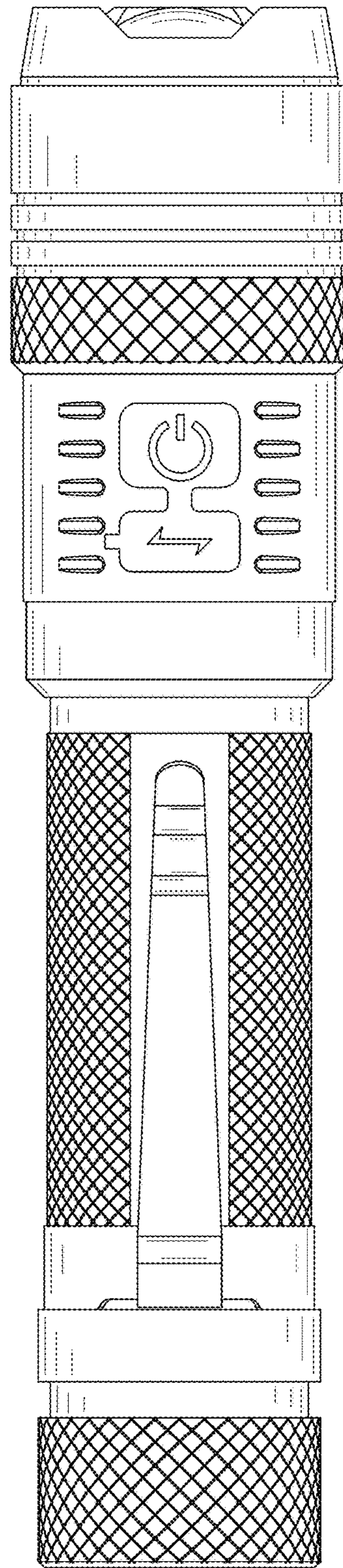


FIG. 2

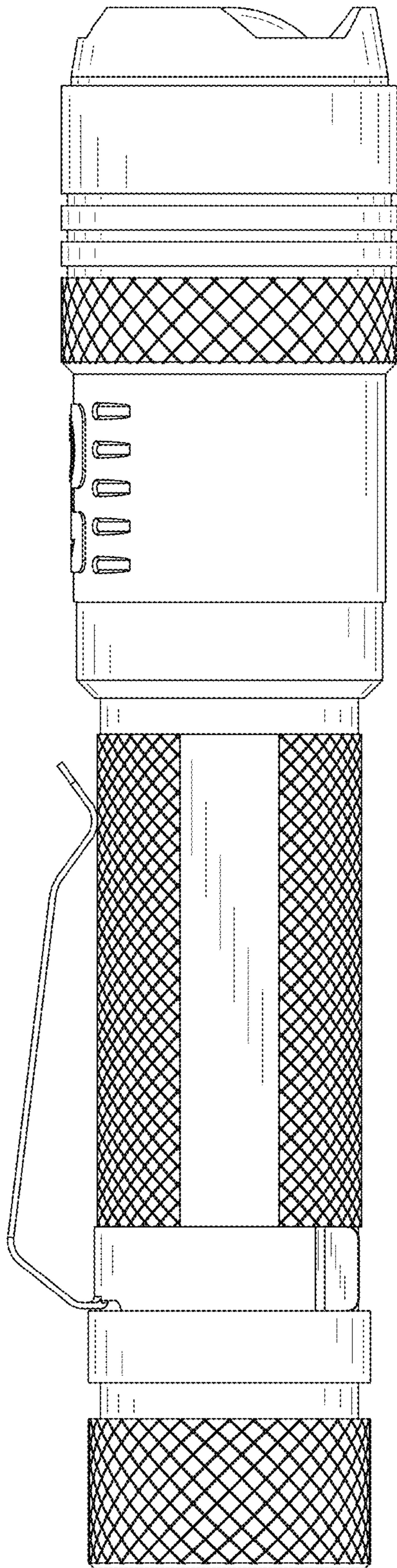


FIG.3

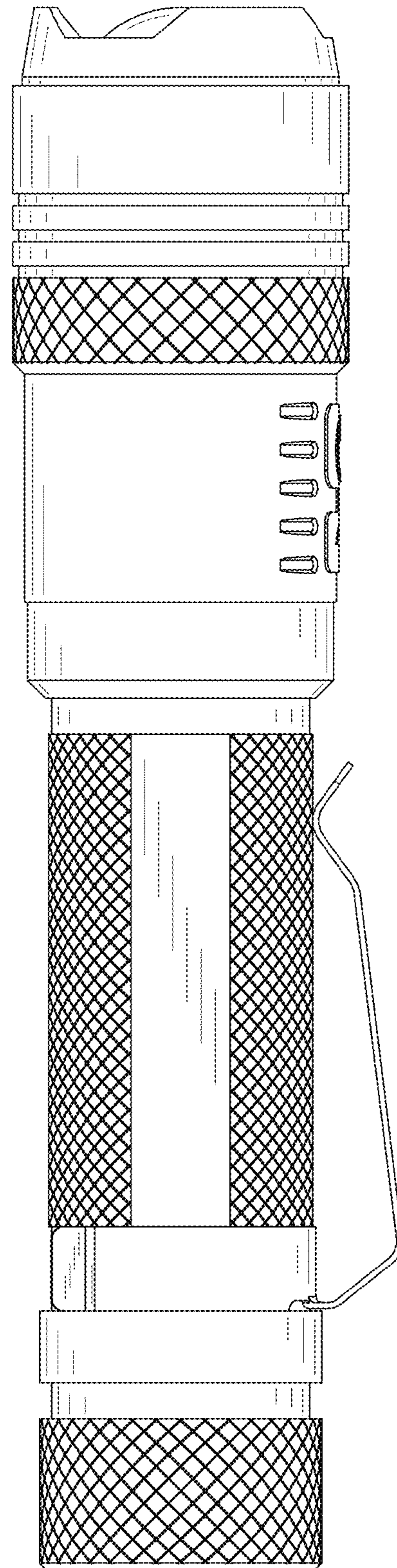


FIG.4

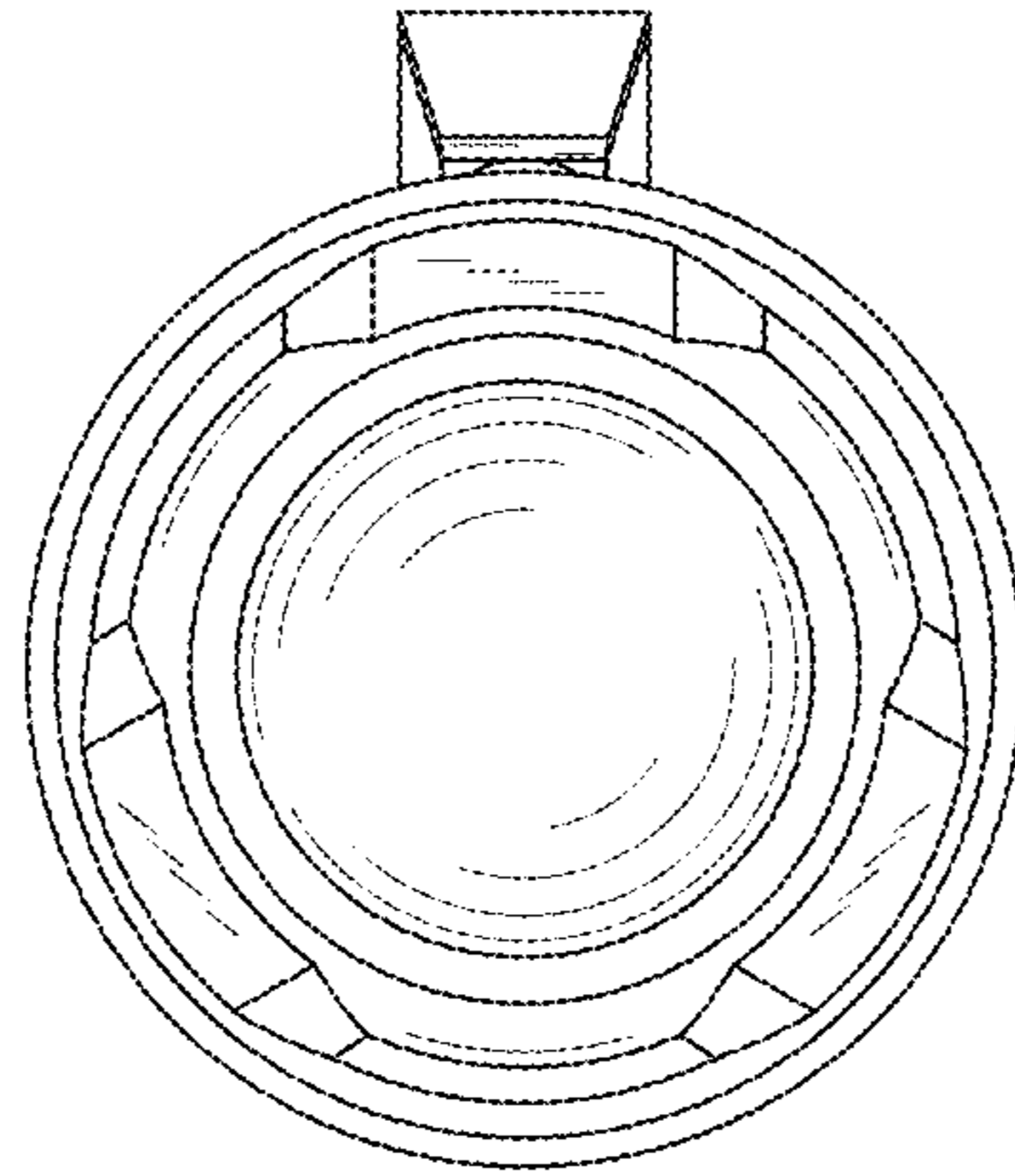


FIG. 5

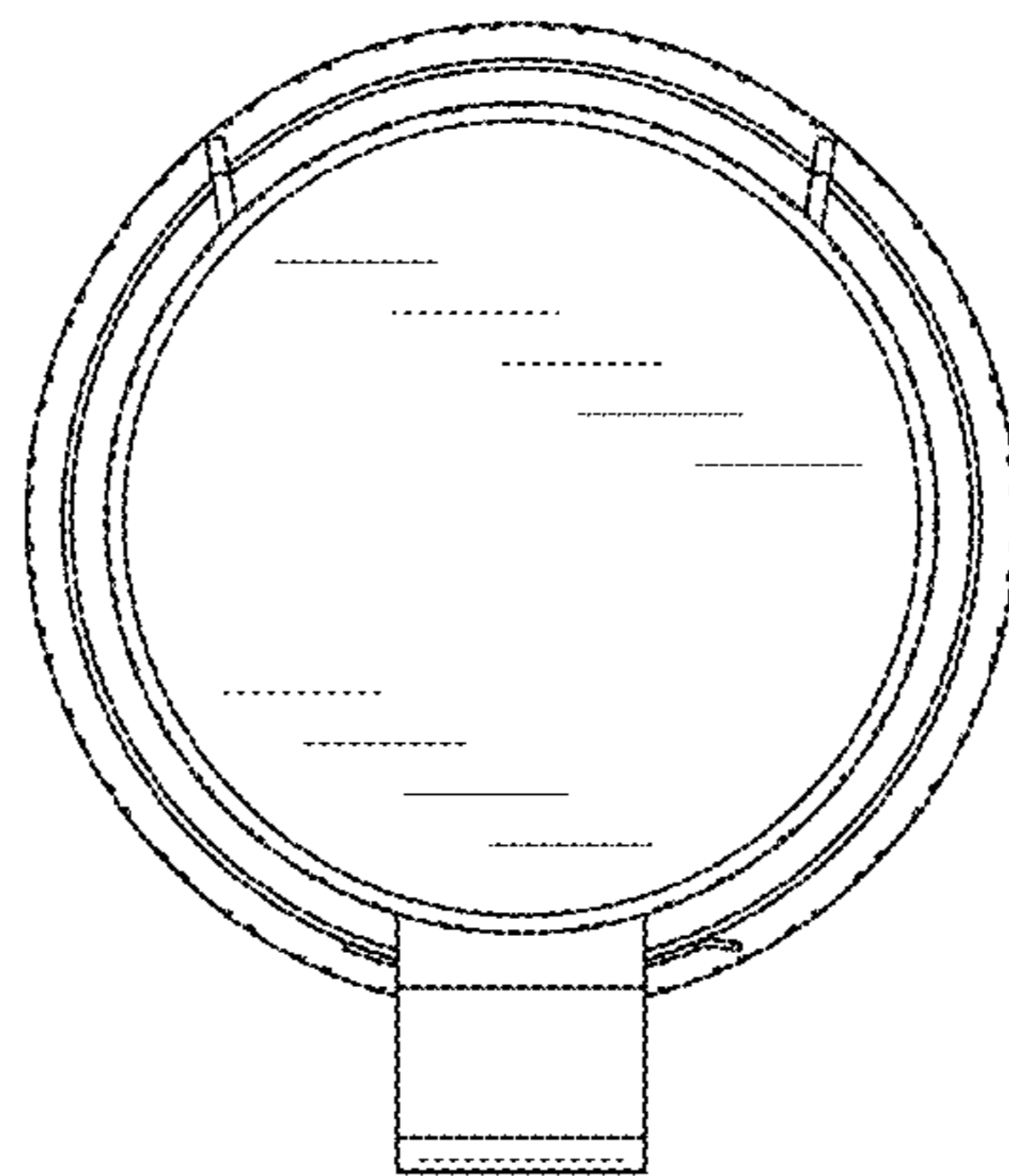


FIG. 6

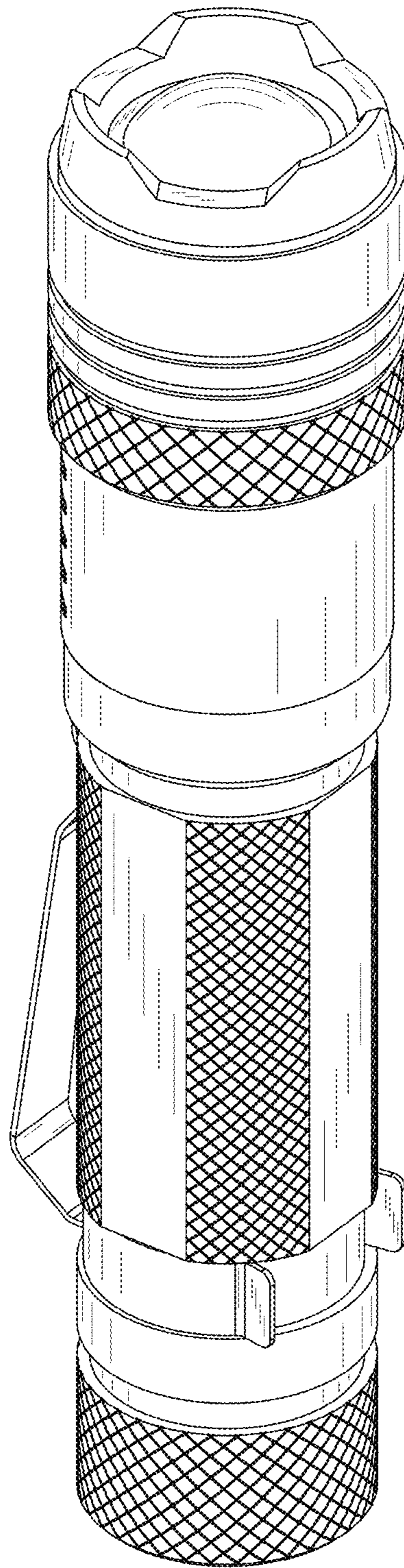


FIG. 7

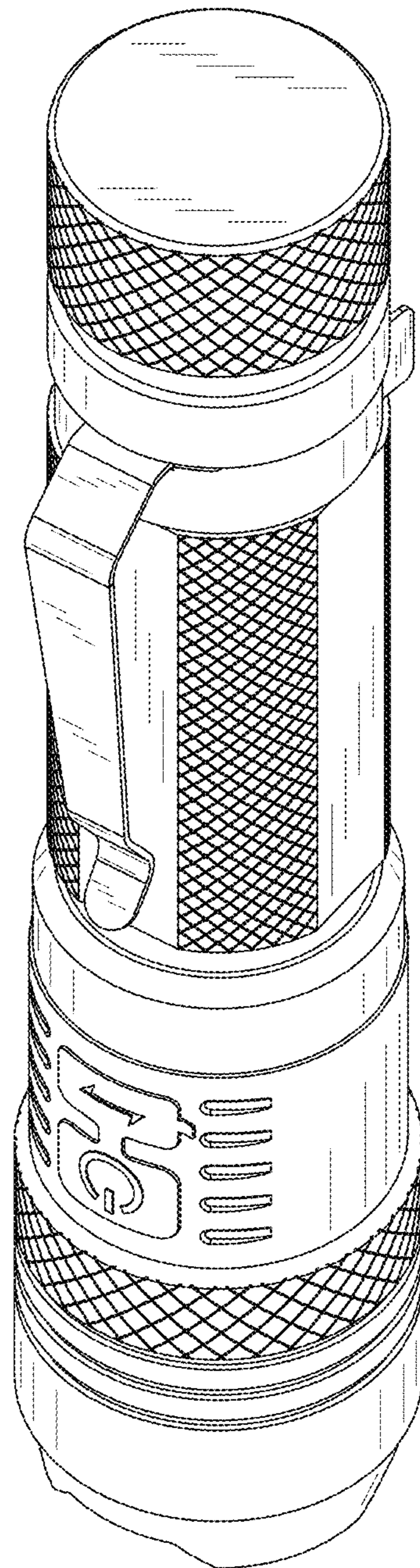


FIG.8