



US00D814086S

(12) **United States Design Patent**  
**Cooper**

(10) **Patent No.:** **US D814,086 S**  
(45) **Date of Patent:** **\*\* Mar. 27, 2018**

(54) **FLASHLIGHT**

D658,325 S \* 4/2012 Inskeep ..... D26/45  
D673,705 S \* 1/2013 Inskeep ..... D26/45  
D754,380 S \* 4/2016 Inskeep ..... D26/45

(71) Applicant: **Wilmar Corporation**, Renton, WA  
(US)

(72) Inventor: **David James Cooper**, Renton, WA  
(US)

(73) Assignee: **Wilmar Corporation**, Renton, WA  
(US)

(\*\*) Term: **14 Years**

(21) Appl. No.: **29/515,525**

(22) Filed: **Jan. 23, 2015**

(51) **LOC (11) Cl.** ..... **26-02**

(52) **U.S. Cl.**  
USPC ..... **D26/45**

(58) **Field of Classification Search**  
USPC ..... D26/45, 37, 38, 40, 42, 46, 49, 51  
CPC ..... F21L 2003/00; F21L 4/00; F21L 4/005;  
F21L 4/02; F21L 4/025; F21L 4/027;  
F21L 4/04; F21L 4/08; F21L 2005/00;  
F21L 7/00; F21L 11/00; F21L 13/00;  
F21L 13/04; F21L 13/08; F21L 14/02;  
F21L 17/00; F21L 19/00

See application file for complete search history.

(56) **References Cited**

**U.S. PATENT DOCUMENTS**

D195,655 S \* 7/1963 Cleek ..... D10/114.1  
D217,287 S \* 4/1970 Schwartz ..... D10/112  
D436,200 S \* 1/2001 Cheong ..... D26/45  
D469,904 S \* 2/2003 Levine ..... D26/45  
D500,155 S \* 12/2004 Lee ..... D26/45  
D506,278 S \* 6/2005 Dayan ..... D26/45  
D522,153 S \* 5/2006 Krieger ..... D26/45  
D565,767 S \* 4/2008 Ben-Moshe ..... D26/45  
D584,438 S \* 1/2009 Crawford ..... D26/46  
D605,796 S \* 12/2009 Crawford ..... D26/45  
D628,326 S \* 11/2010 Ng ..... D26/45  
D655,839 S \* 3/2012 Yuen ..... D26/45

**OTHER PUBLICATIONS**

FirePoint 271Im Tactical, Item No. W2458, retrieved on Apr. 7, 2017 at <http://www.wilmarcorp.com/item.aspx?lid=8611>.

Image 3235 retrieved on Apr. 7, 2017 at <http://ruger.com/products/lc9s/images/3235.jpg>.

1M CP Spotlight—Black, Item No. W2409, retrieved on Apr. 7, 2017 at <http://www.wilmarcorp.com/item.aspx?id=6975>.

Image retrieved on Apr. 7, 2017 at <http://www.wilmarcorp.com/item.aspx?iid=9481>.

Sirius 500 Lumen Handheld Spotlight w/6 LED Lights, retrieved on Apr. 7, 2017 at [https://www.amazon.com/dp/B008RQE6ZO/ref=psdc\\_2445457011\\_t1\\_B000J39TQE](https://www.amazon.com/dp/B008RQE6ZO/ref=psdc_2445457011_t1_B000J39TQE).

\* cited by examiner

*Primary Examiner* — Lakiya Rogers

*Assistant Examiner* — Carissa C Fitts

(74) *Attorney, Agent, or Firm* — Baumgartner Patent Law; Marc Baumgartner

(57) **CLAIM**

The ornamental design for a flashlight, as shown and described.

**DESCRIPTION**

FIG. 1 is a first perspective view of a flashlight embodying my new design;

FIG. 2 is a first side view of the flashlight of FIG. 1;

FIG. 3 is a second side view of the flashlight of FIG. 1;

FIG. 4 is a first end view of the flashlight of FIG. 1;

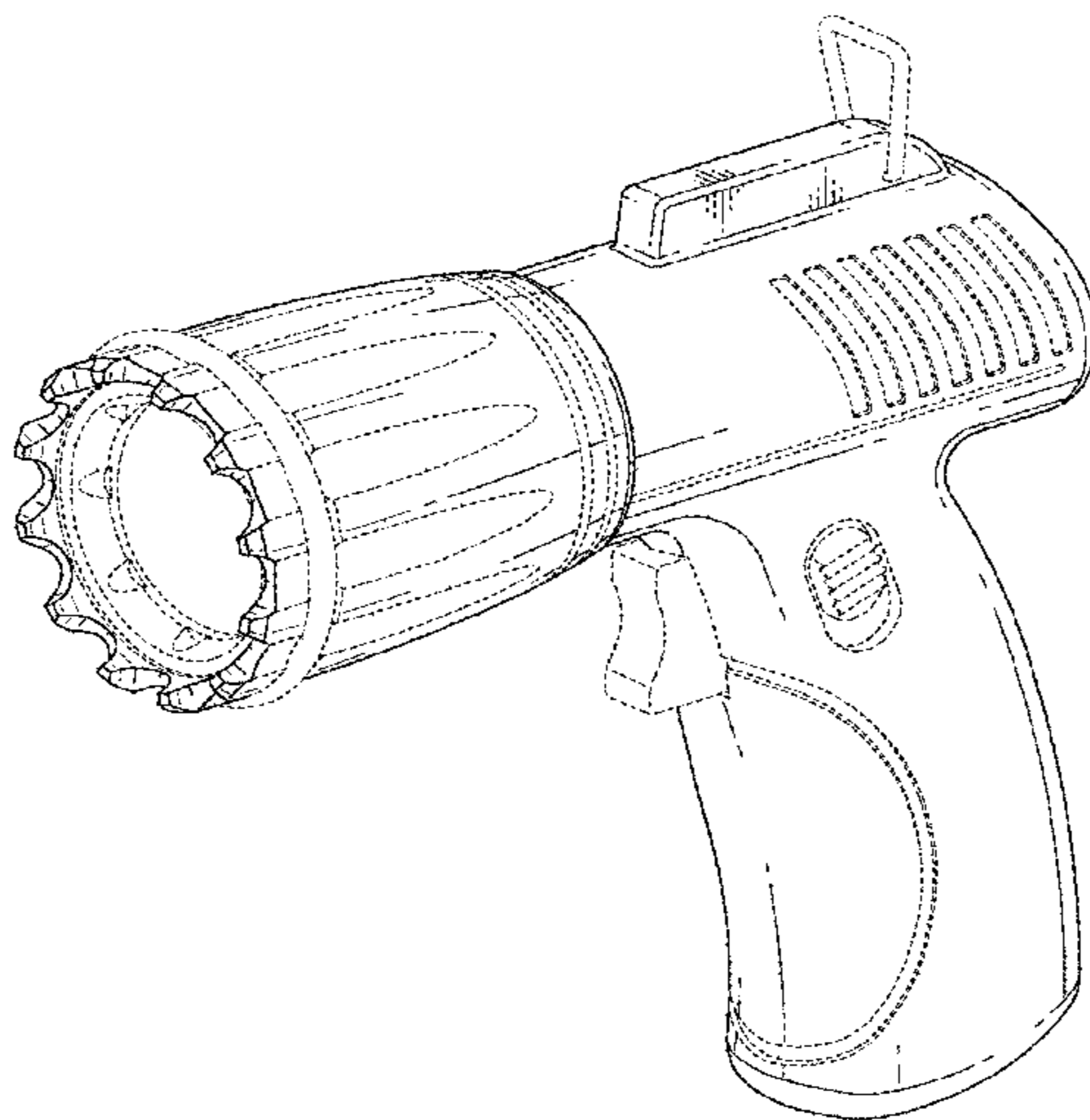
FIG. 5 is a second end view of the flashlight of FIG. 1;

FIG. 6 is a top view of the flashlight of FIG. 1; and,

FIG. 7 is a bottom view of the flashlight of FIG. 1.

The broken lines show portions of the article not claimed and form no part of the claimed design.

**1 Claim, 5 Drawing Sheets**



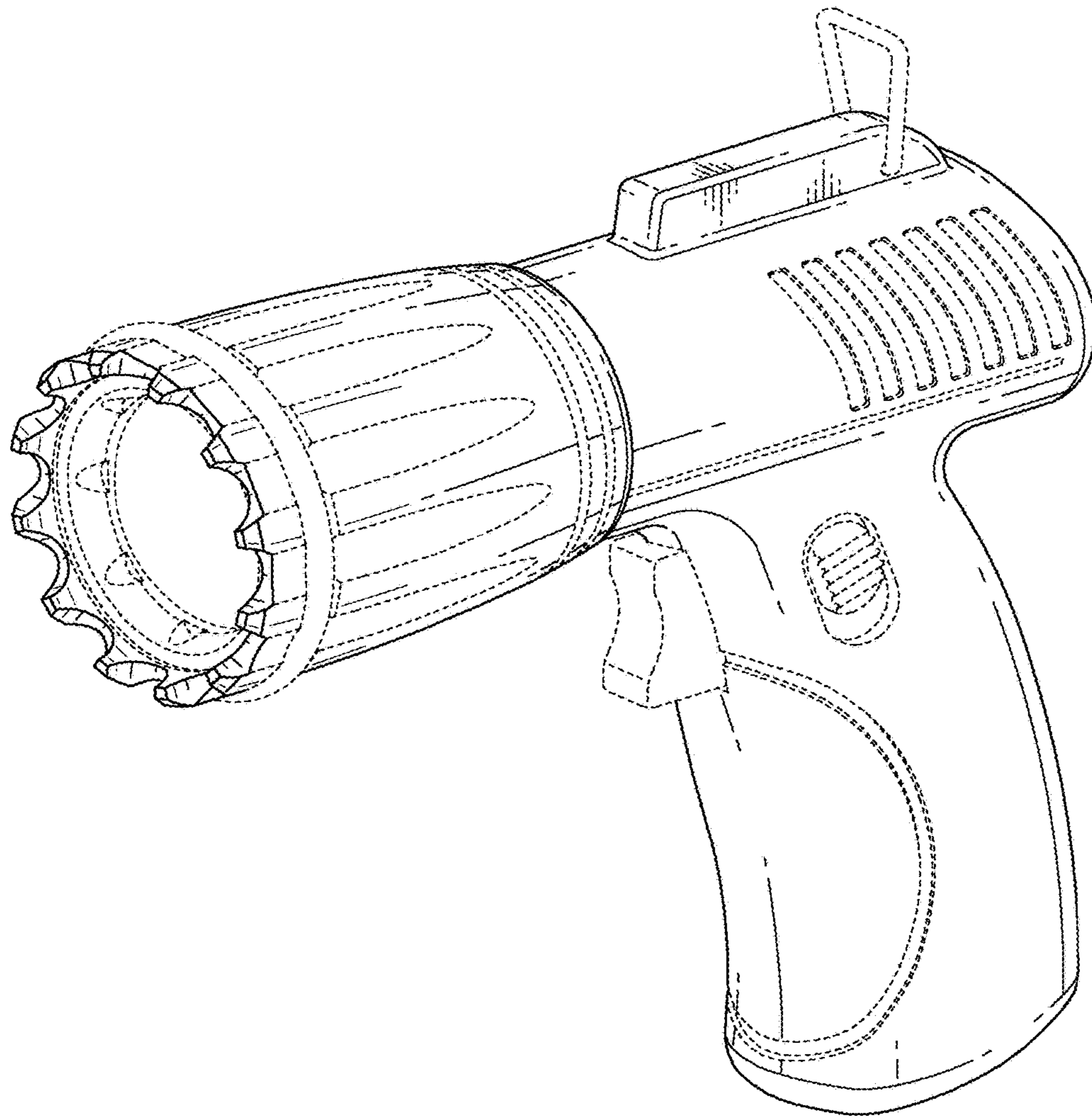


FIG. 1

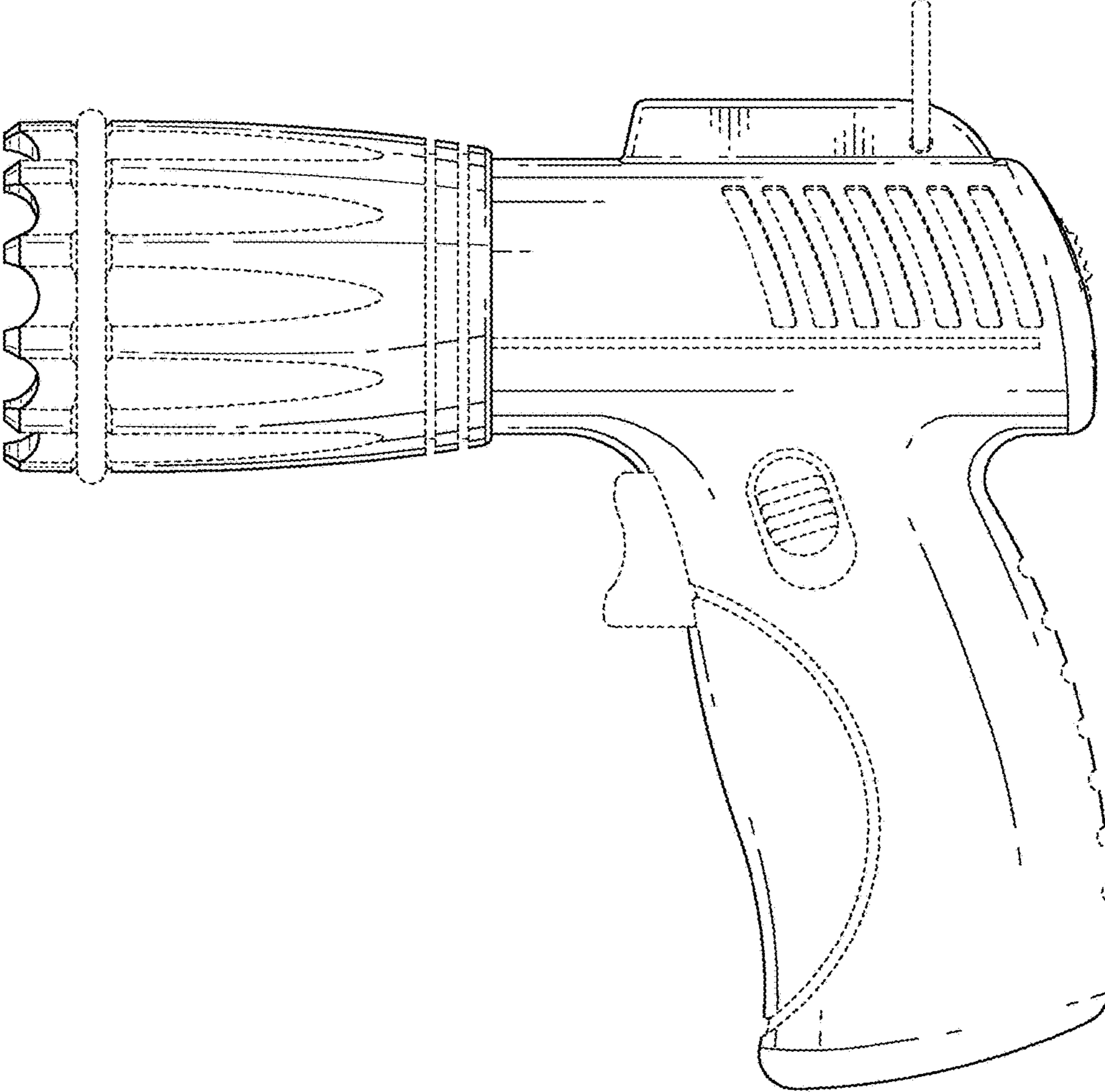


FIG. 2

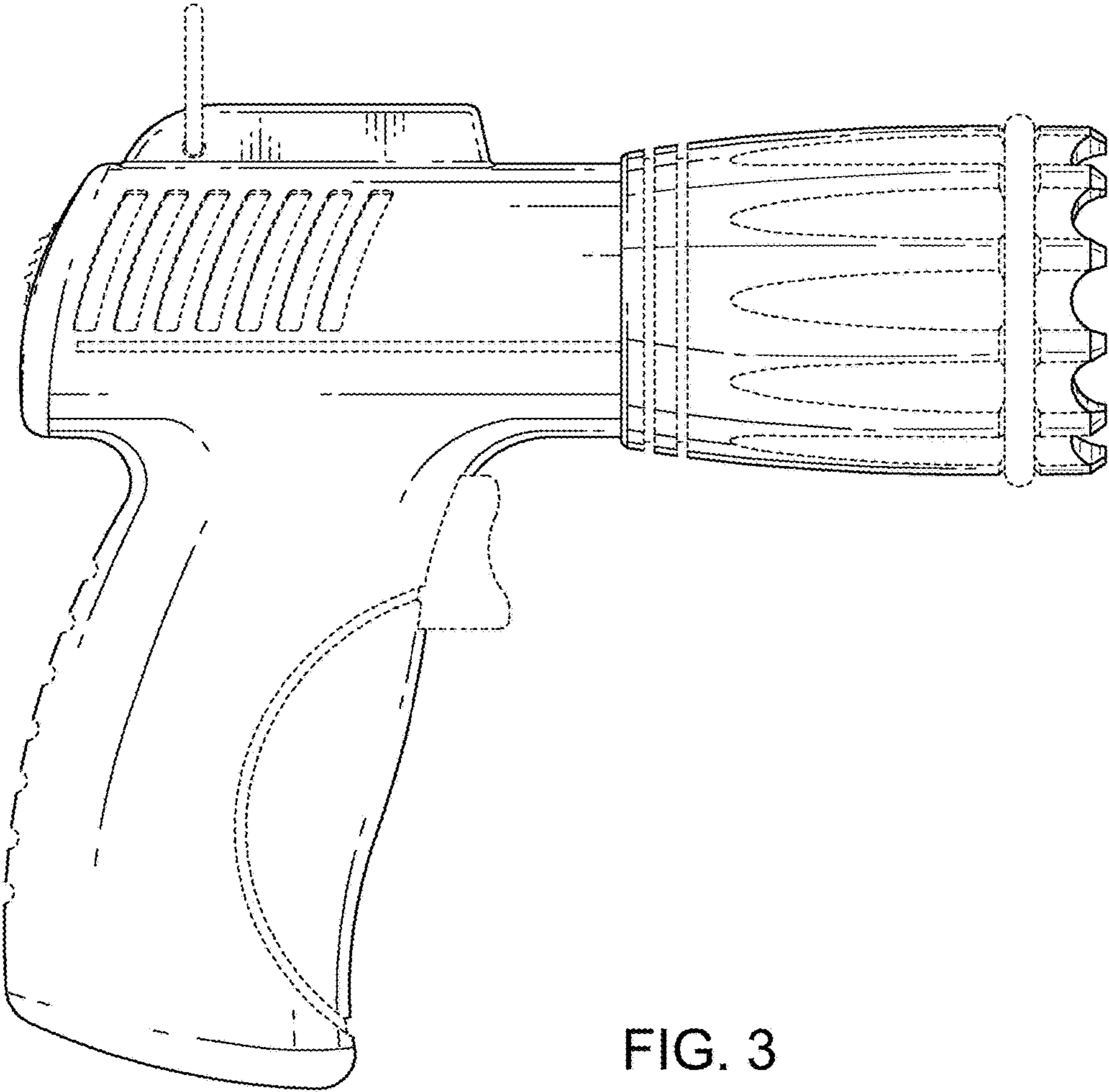


FIG. 3



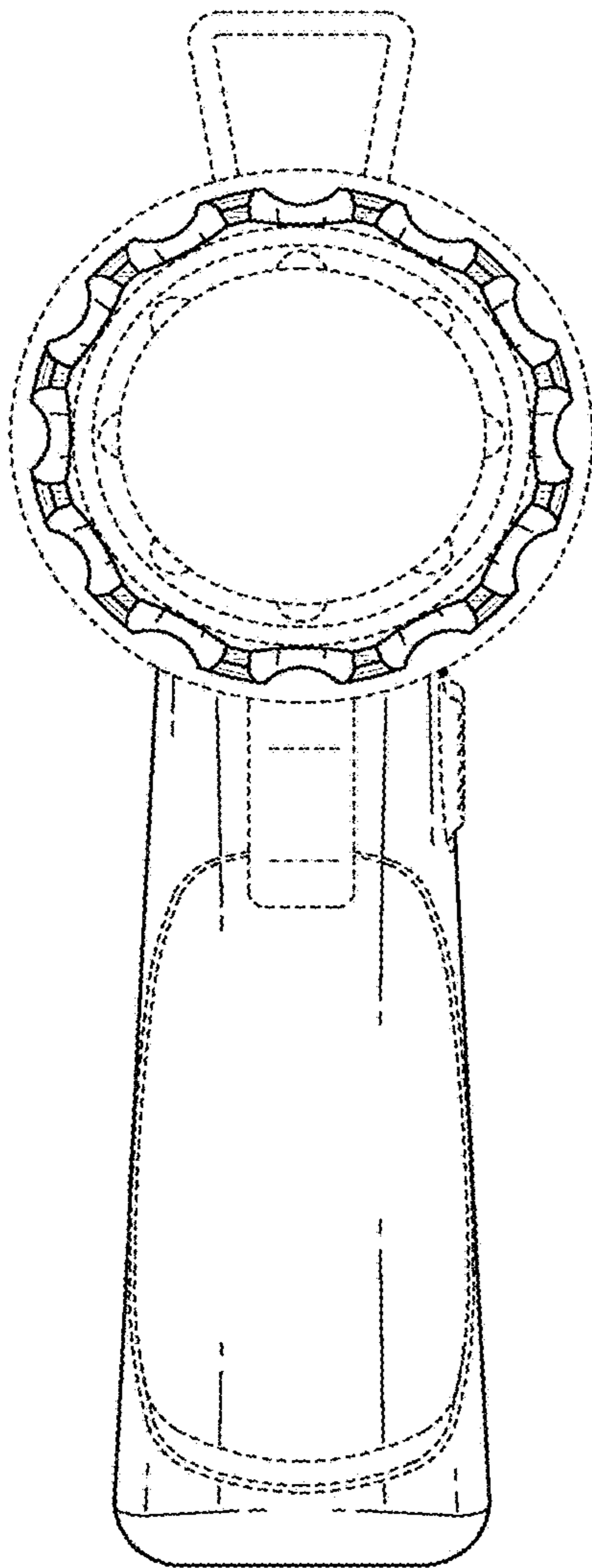


FIG. 4

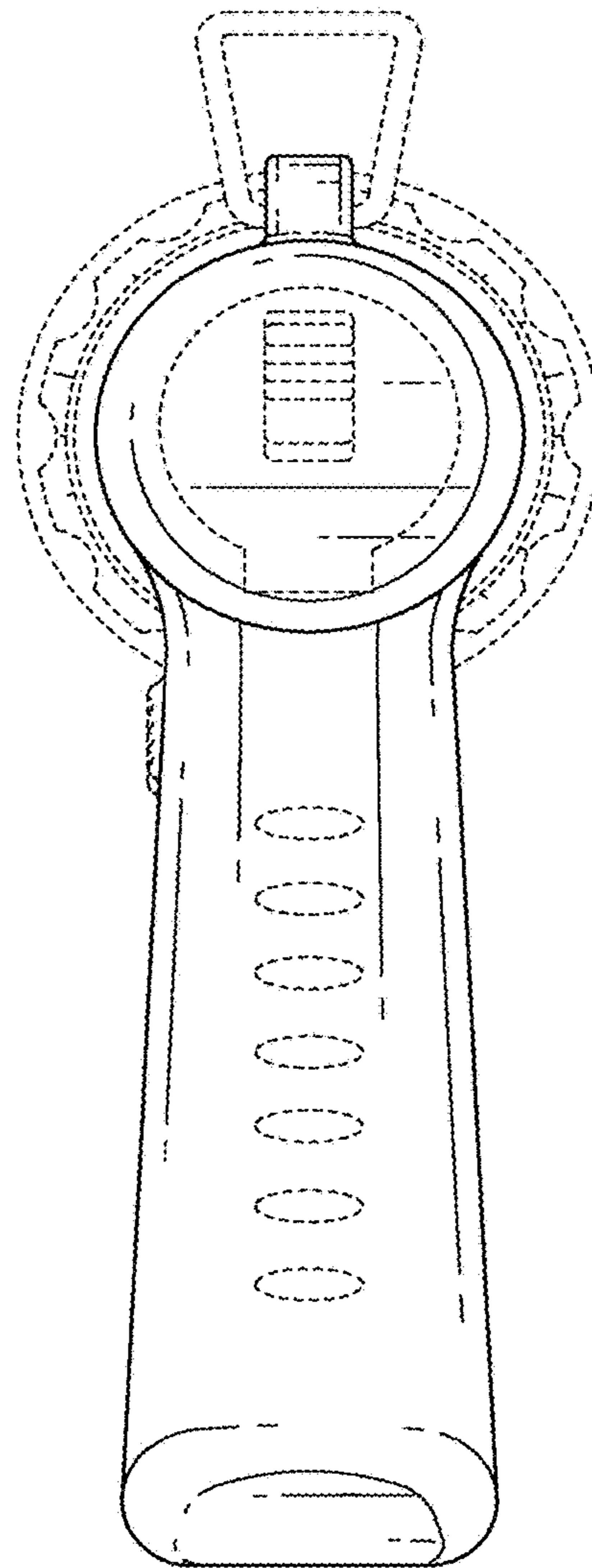


FIG. 5

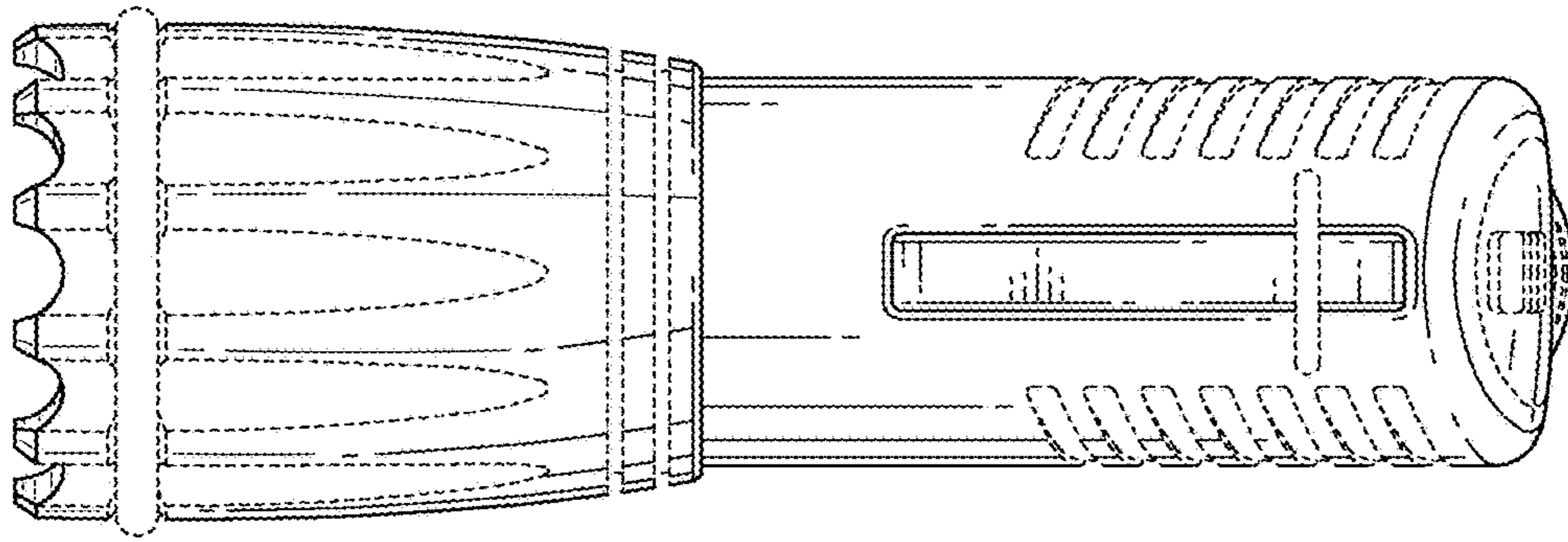


FIG. 6

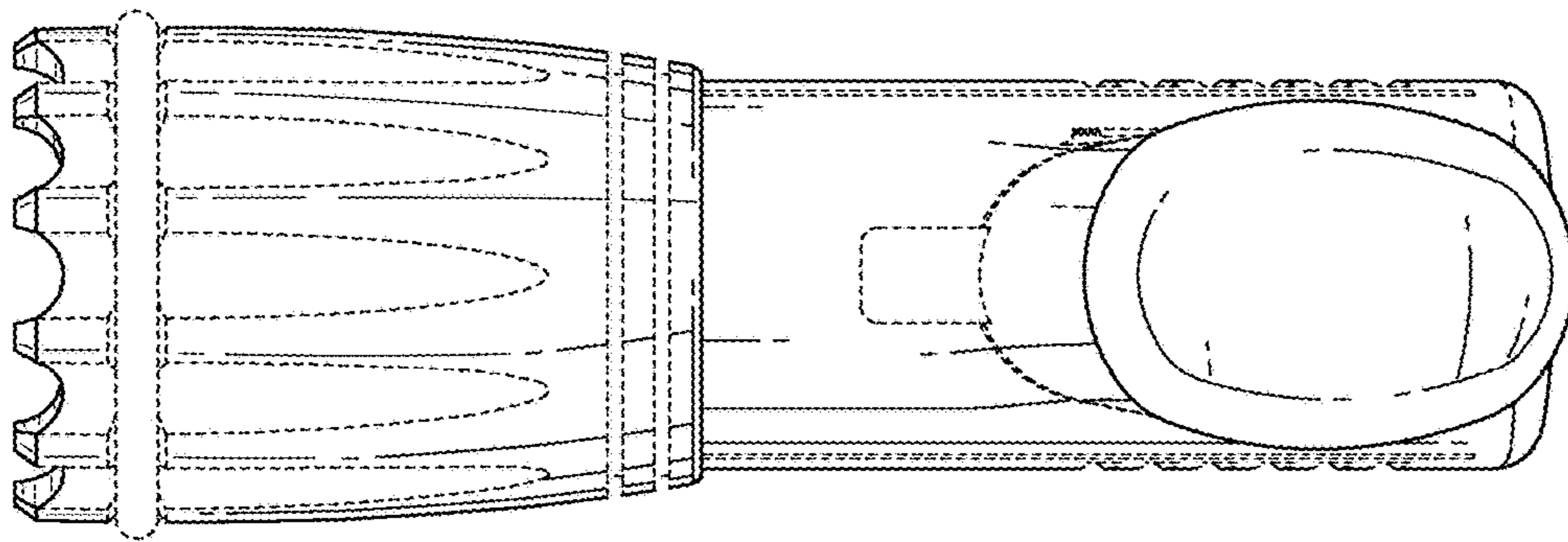


FIG. 7