



US00D814085S

(12) **United States Design Patent**
Ohara et al.

(10) **Patent No.:** **US D814,085 S**
(45) **Date of Patent:** **** Mar. 27, 2018**

(54) **LANTERN**
(71) Applicant: **Panasonic Intellectual Property Management Co., Ltd., Osaka (JP)**
(72) Inventors: **Kazuaki Ohara, Osaka (JP); Kazuma Uematsu, Kyoto (JP)**
(73) Assignee: **Panasonic Intellectual Property Management Co., Ltd., Osaka (JP)**

D550,385 S * 9/2007 Hamilton D26/37
D553,771 S * 10/2007 Watson D26/37
D612,969 S * 3/2010 Schoch D26/50
D633,541 S * 3/2011 Khubani D16/135
D693,039 S * 11/2013 Poon D26/37
D695,434 S * 12/2013 Shen D26/41
D698,471 S * 1/2014 Poon D26/37
D737,491 S * 8/2015 Shen D26/50
D738,022 S * 9/2015 Shen D26/50

(**) Term: **15 Years**
(21) Appl. No.: **29/596,577**
(22) Filed: **Mar. 9, 2017**

FOREIGN PATENT DOCUMENTS

JP D1401561 11/2010

* cited by examiner

Primary Examiner — Karen E Kearney
Assistant Examiner — Carissa C Fitts
(74) *Attorney, Agent, or Firm* — Panasonic IP Management; Kerry S. Culpepper

(30) **Foreign Application Priority Data**
Sep. 21, 2016 (JP) 2016-020300
(51) **LOC (11) Cl.** **26-02**
(52) **U.S. Cl.**
USPC **D26/41**
(58) **Field of Classification Search**
USPC D26/37, 38, 42, 44, 46, 51, 63
CPC F21L 2003/00; F21L 4/00; F21L 4/005;
F21L 4/02; F21L 4/025; F21L 4/027;
F21L 4/04; F21L 4/08; F21L 2005/00;
F21L 7/00; F21L 11/00; F21L 13/00;
F21L 13/04; F21L 13/08; F21L 14/02;
F21L 17/00; F21L 19/00
See application file for complete search history.

(57) **CLAIM**

We claim the ornamental design for a lantern, as shown and described.

DESCRIPTION

FIG. 1 is a front perspective view of a lantern of the present invention;
FIG. 2 is a front view thereof;
FIG. 3 is a rear view thereof;
FIG. 4 is a first side view thereof;
FIG. 5 is a second side view thereof;
FIG. 6 is a top view thereof;
FIG. 7 is a bottom view thereof; and,
FIG. 8 is an end view taken along the line 8-8 in FIG. 2.
The broken lines shown represent unclaimed subject matter and form no part of the claimed design. Additionally, the unevenly broken lines in the drawings define the limits of the claimed design.

(56) **References Cited**
U.S. PATENT DOCUMENTS
D293,481 S * 12/1987 Ohashi D26/38
5,685,631 A * 11/1997 Dobert F21V 21/096
362/158
D426,661 S * 6/2000 Yuen D26/38
D524,962 S * 7/2006 Farmer D26/37

1 Claim, 8 Drawing Sheets

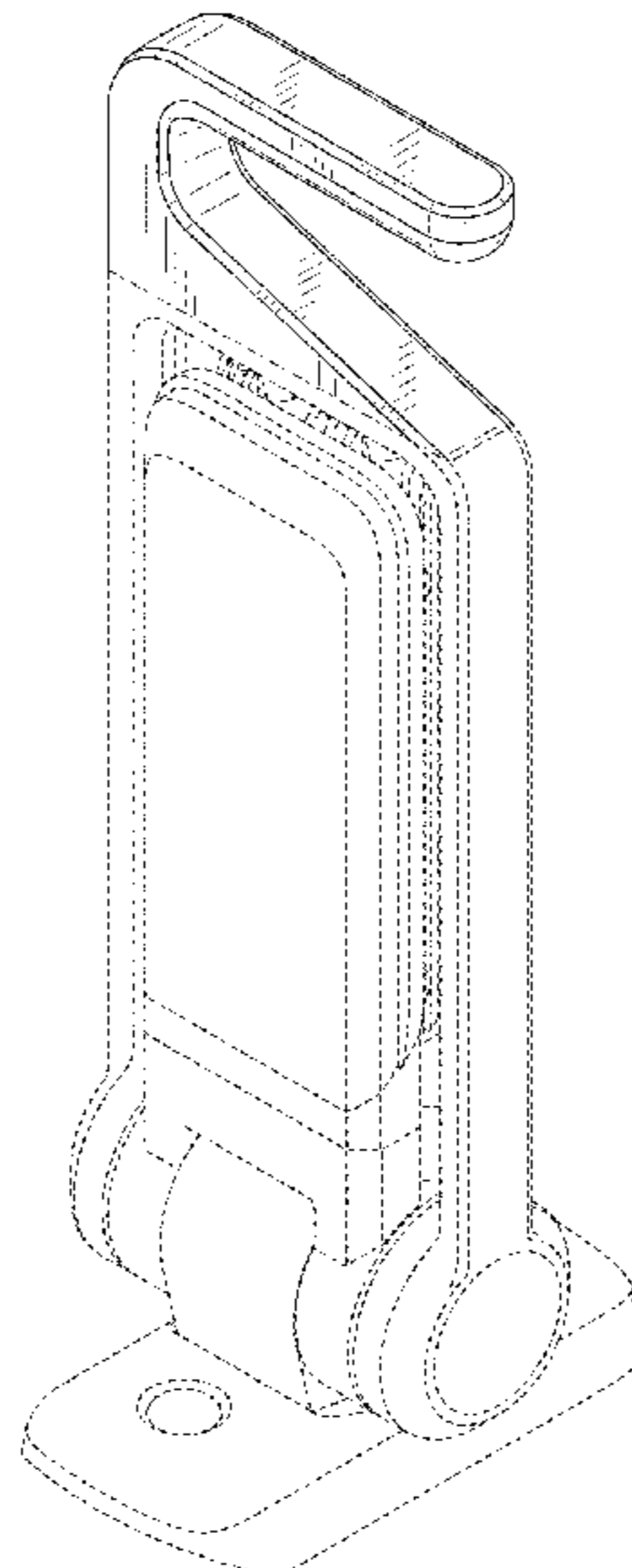


FIG. 1

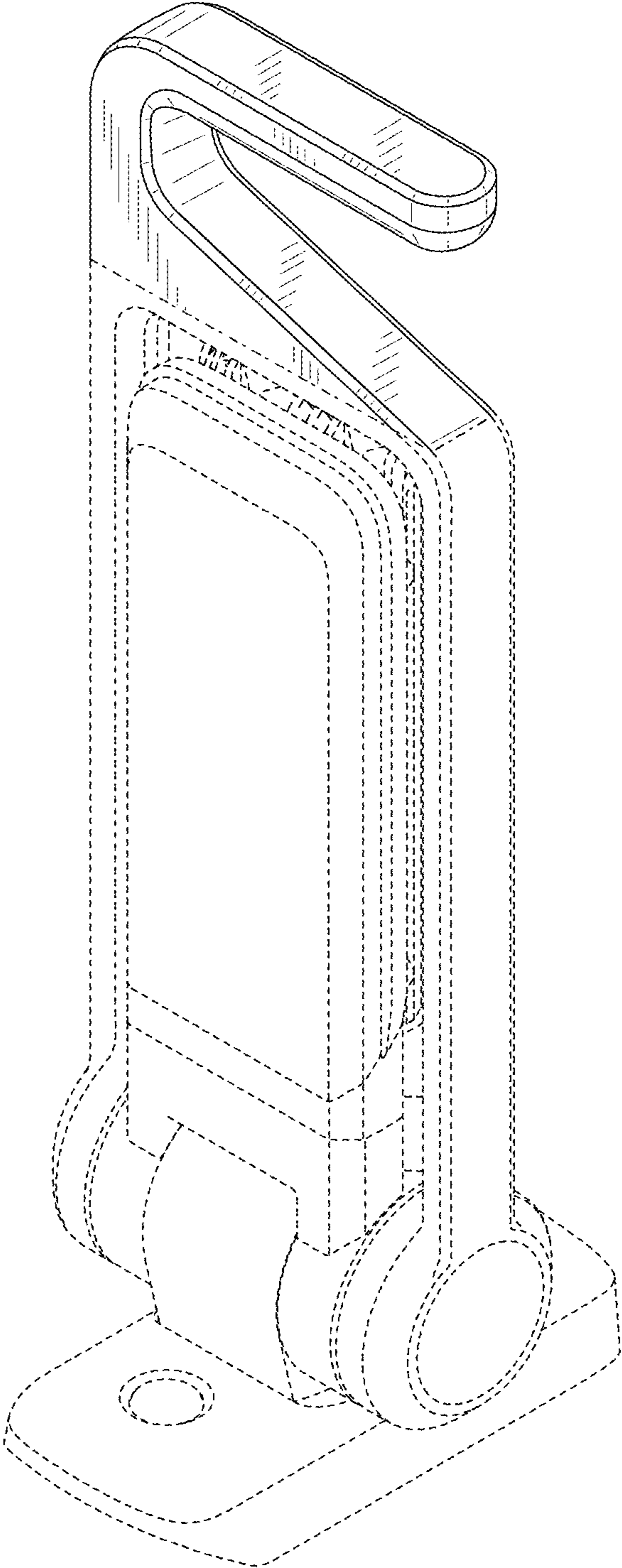


FIG. 2

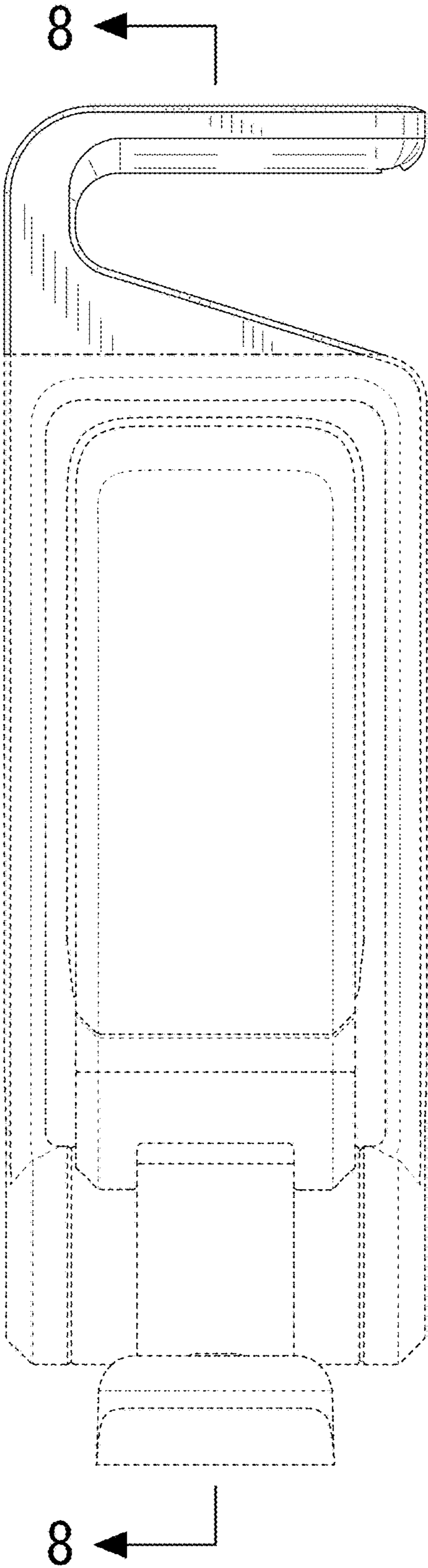


FIG. 3

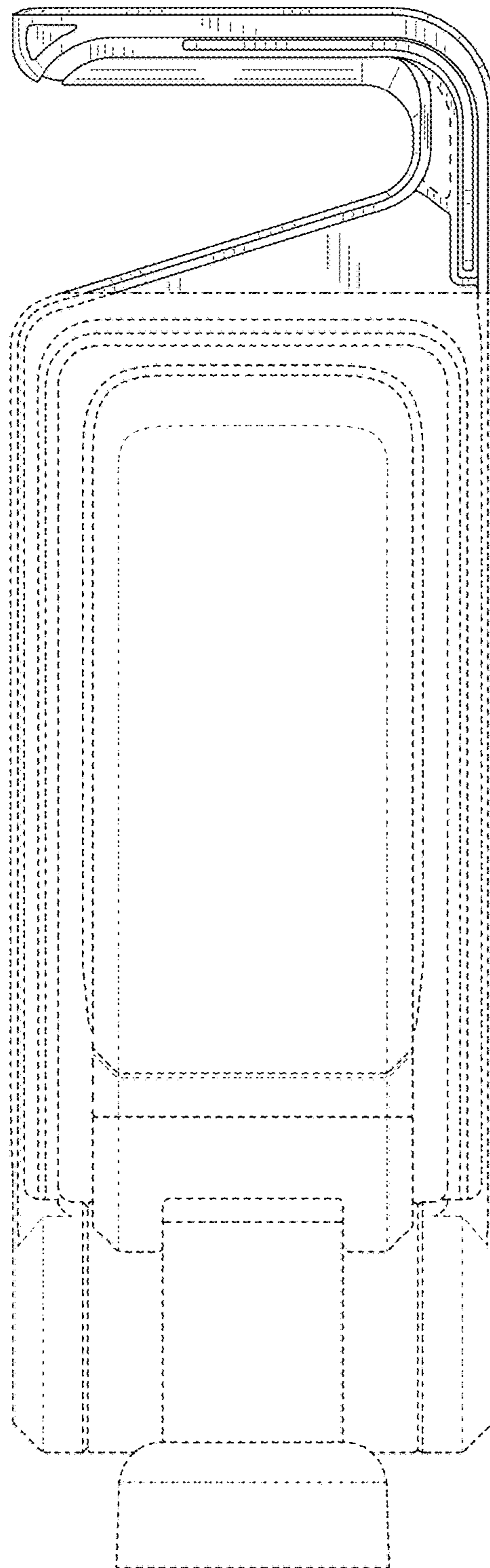


FIG. 4

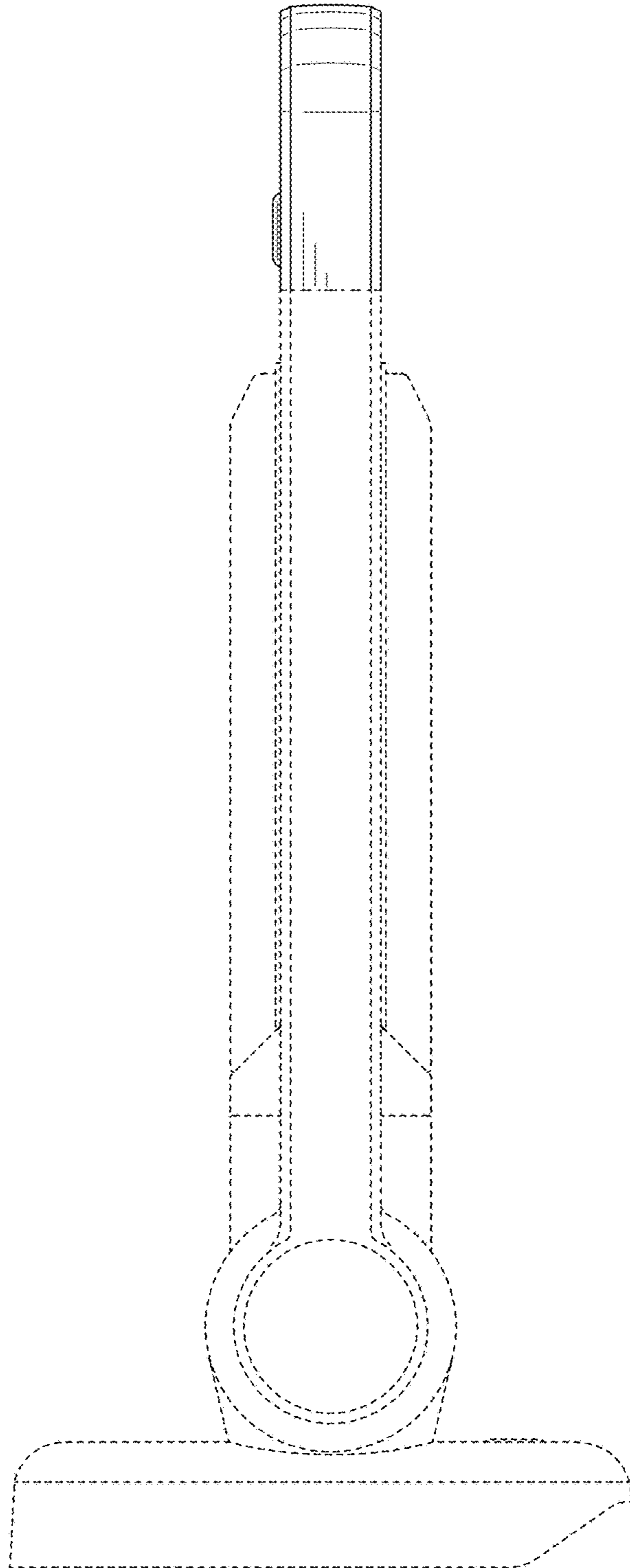


FIG. 5

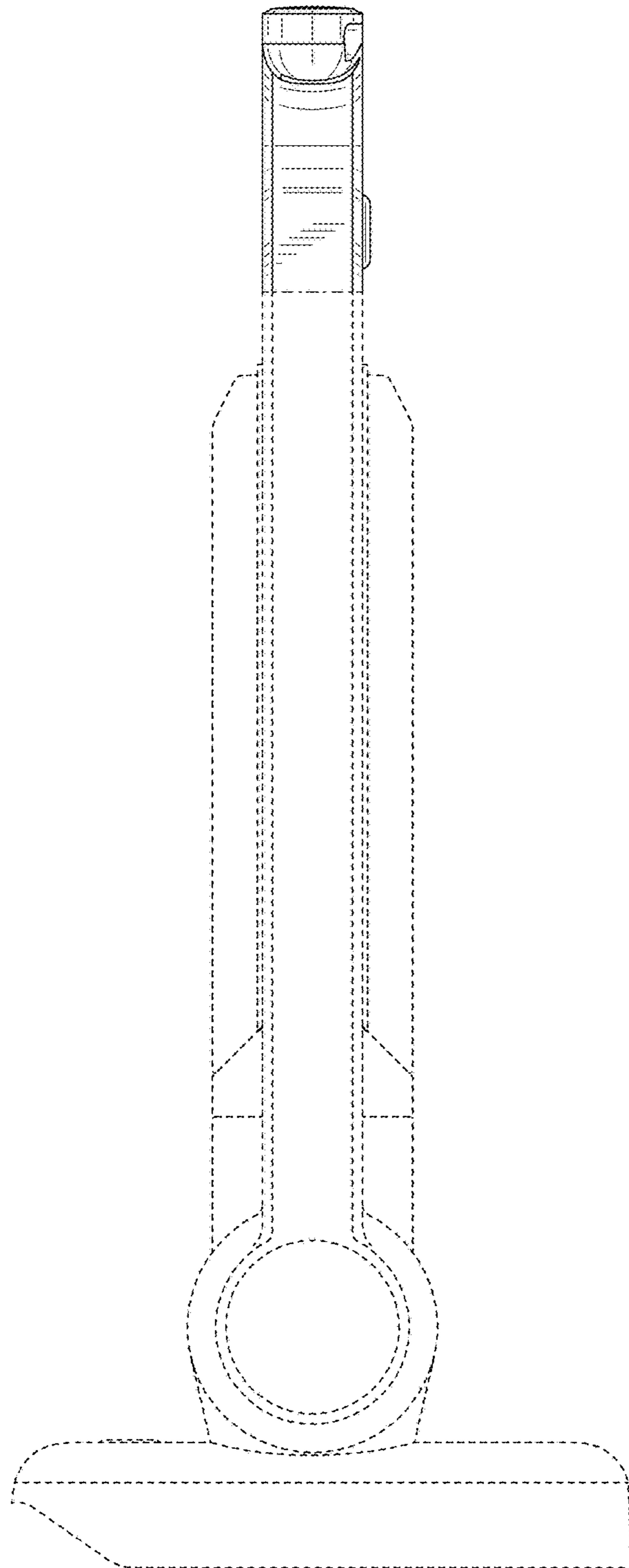


FIG. 6

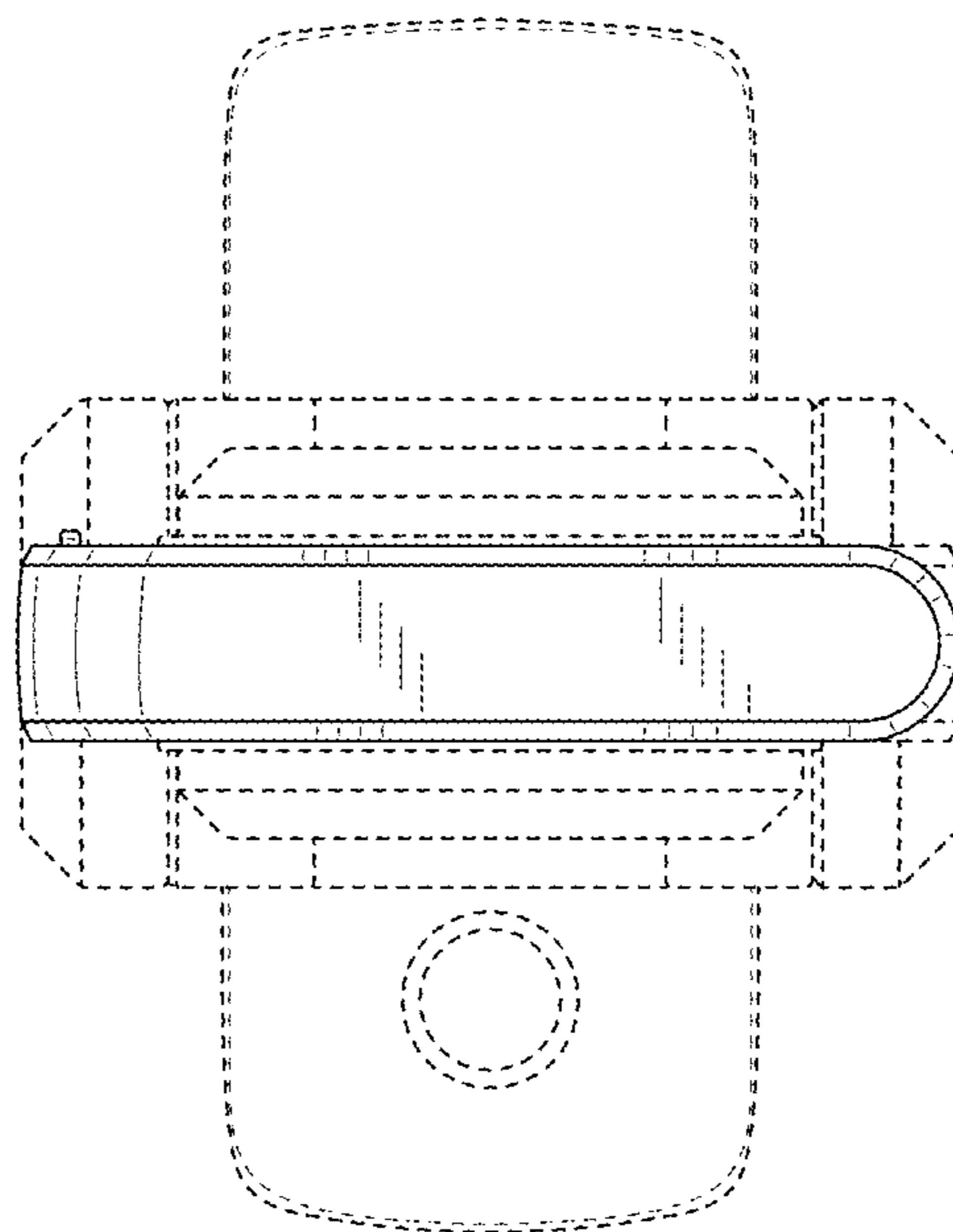


FIG. 7

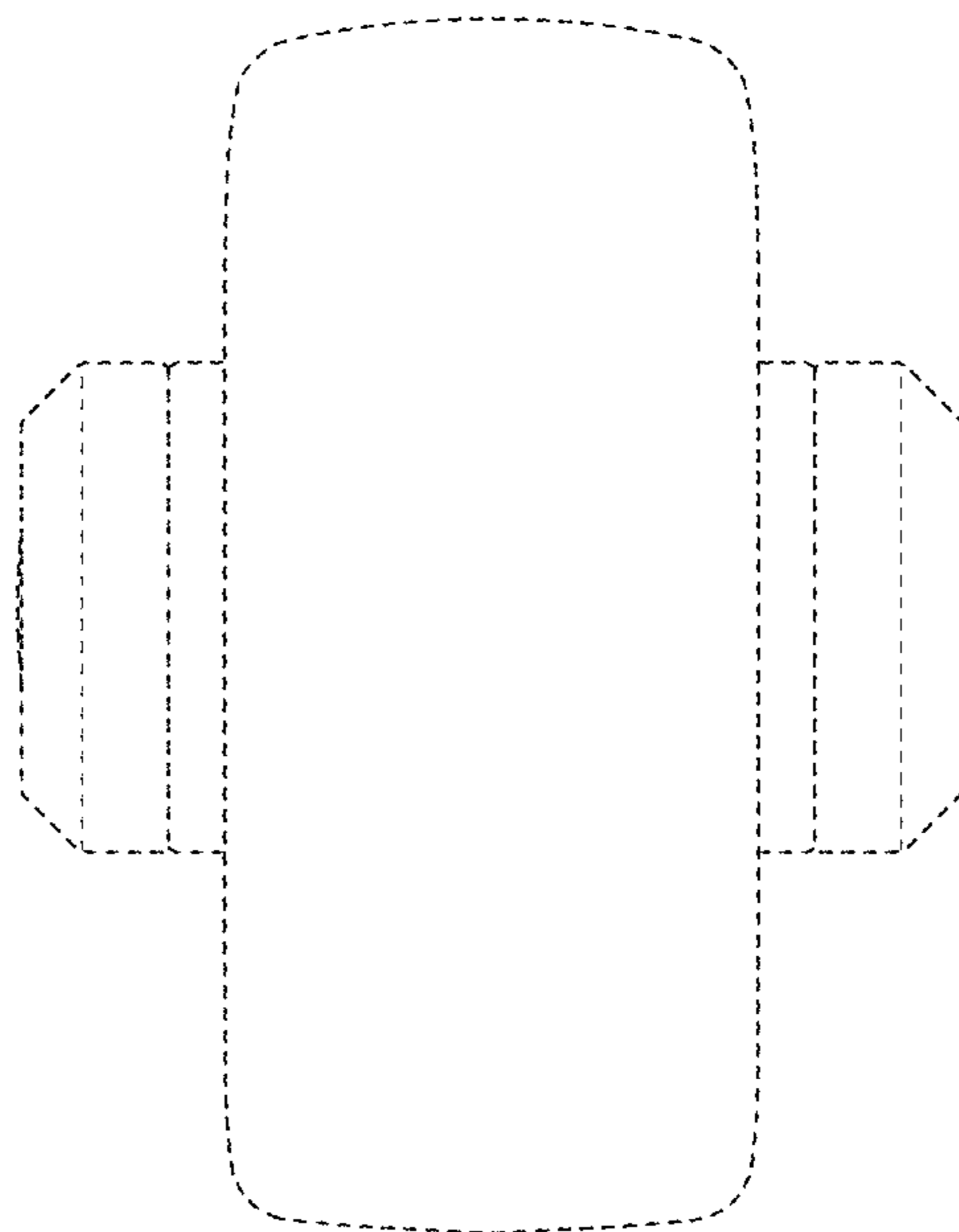


FIG. 8

