



US00D814083S

(12) **United States Design Patent**
Green

(10) **Patent No.:** **US D814,083 S**

(45) **Date of Patent:** **** Mar. 27, 2018**

(54) **HEADLAMP**

(71) Applicant: **HOME DEPOT PRODUCT AUTHORITY, LLC**, Atlanta, GA (US)

(72) Inventor: **Adam Green**, Atlanta, GA (US)

(73) Assignee: **Home Depot Product Authority, LLC**, Atlanta, GA (US)

(**) Term: **14 Years**

(21) Appl. No.: **29/506,281**

(22) Filed: **Oct. 14, 2014**

(51) **LOC (11) Cl.** **26-02**

(52) **U.S. Cl.**
USPC **D26/39**

(58) **Field of Classification Search**
USPC D26/37, 38, 39
CPC F21L 2003/00; F21L 4/00; F21L 4/005;
F21L 4/02; F21L 4/025; F21L 4/027;
F21L 4/04; F21L 4/08; F21L 2005/00;
F21L 7/00; F21L 11/00; F21L 13/00;
F21L 13/04; F21L 13/08; F21L 14/02;
F21L 17/00; F21L 19/00

See application file for complete search history.

(56) **References Cited**

U.S. PATENT DOCUMENTS

D552,278 S 10/2007 Spartano et al.
D562,475 S 2/2008 Hojer
D603,538 S 11/2009 Shiu
D603,539 S * 11/2009 Shiu D26/39
D650,103 S * 12/2011 Lee D26/39

D683,489 S * 5/2013 Lee D26/39
D707,867 S 6/2014 Kotsis et al.
D712,579 S * 9/2014 Cen D26/39
D736,980 S * 8/2015 Petzl D26/39
D743,596 S * 11/2015 Ormsbee D26/39
D744,135 S * 11/2015 Menjor D26/39
D752,261 S * 3/2016 Ma D26/39
D754,378 S * 4/2016 Feustel D26/39
D756,552 S * 5/2016 Kunzendorf D26/39
D758,630 S * 6/2016 Li D26/39
D788,340 S 5/2017 Koshiba

OTHER PUBLICATIONS

U.S. Patent and Trademark Office, Non-Final Office Action issued on U.S. Appl. No. 29/582,204, dated Oct. 5, 2017, 8 pgs.

* cited by examiner

Primary Examiner — Lakiya Rogers
Assistant Examiner — Carissa C Fitts

(74) *Attorney, Agent, or Firm* — Greenberg Traurig, LLP

(57) **CLAIM**

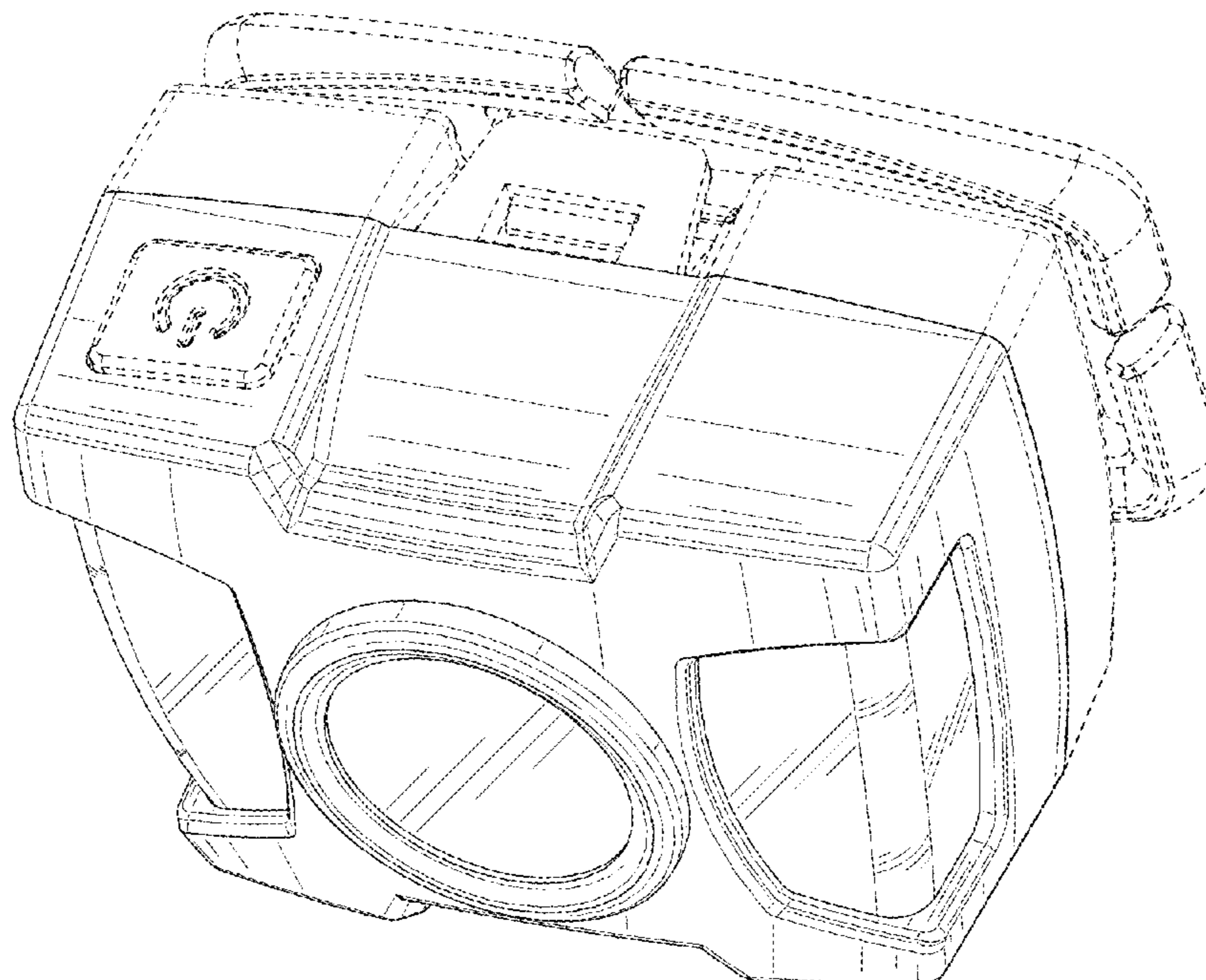
The ornamental design for a headlamp, as shown and described.

DESCRIPTION

FIG. 1 is a perspective view of my headlamp;
FIG. 2 is a front view thereof;
FIG. 3 is a top view thereof;
FIG. 4 is a bottom view thereof;
FIG. 5 is a right side view thereof; and,
FIG. 6 is a left side view thereof.

The broken lines show unclaimed portions and form no part of the claimed design.

1 Claim, 3 Drawing Sheets



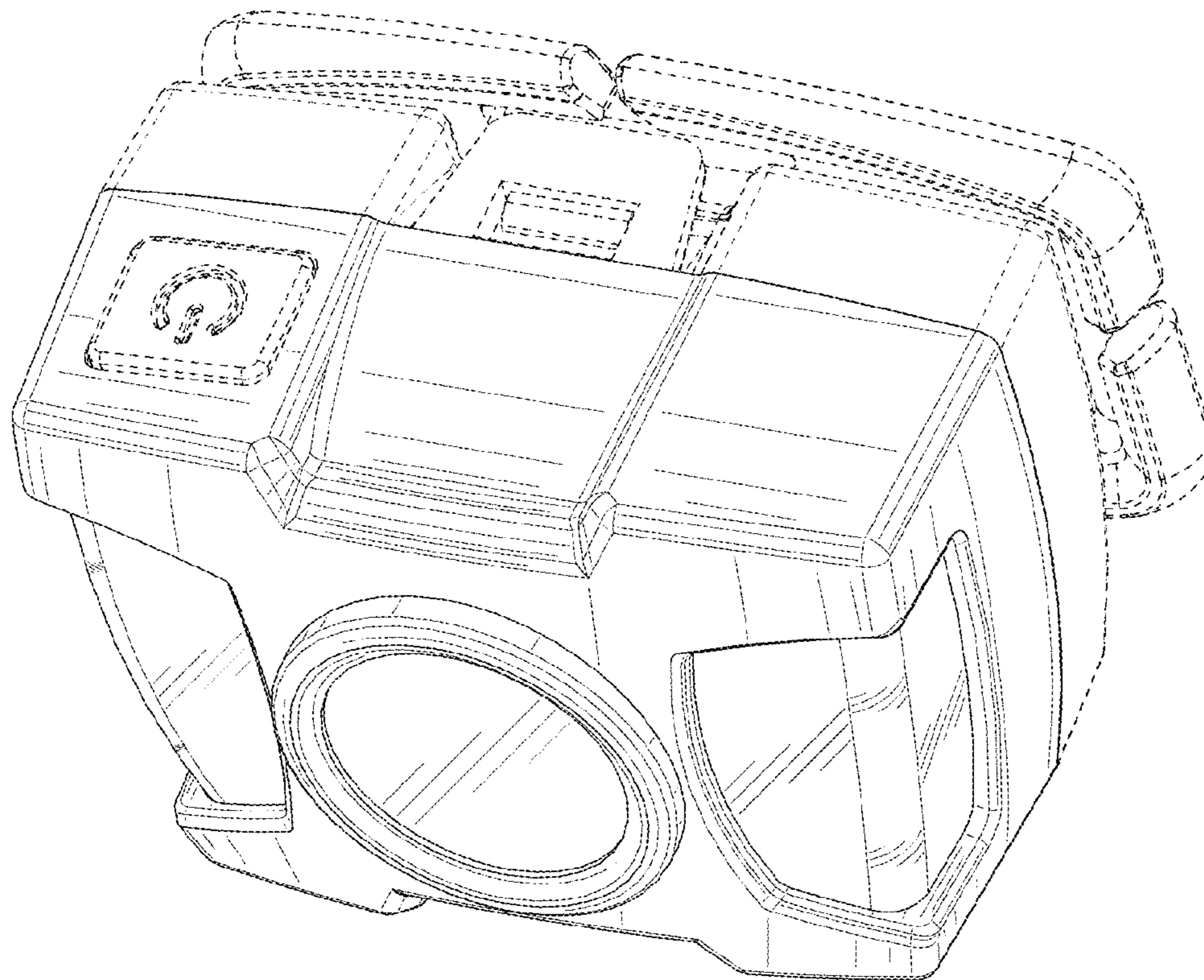


FIG. 1

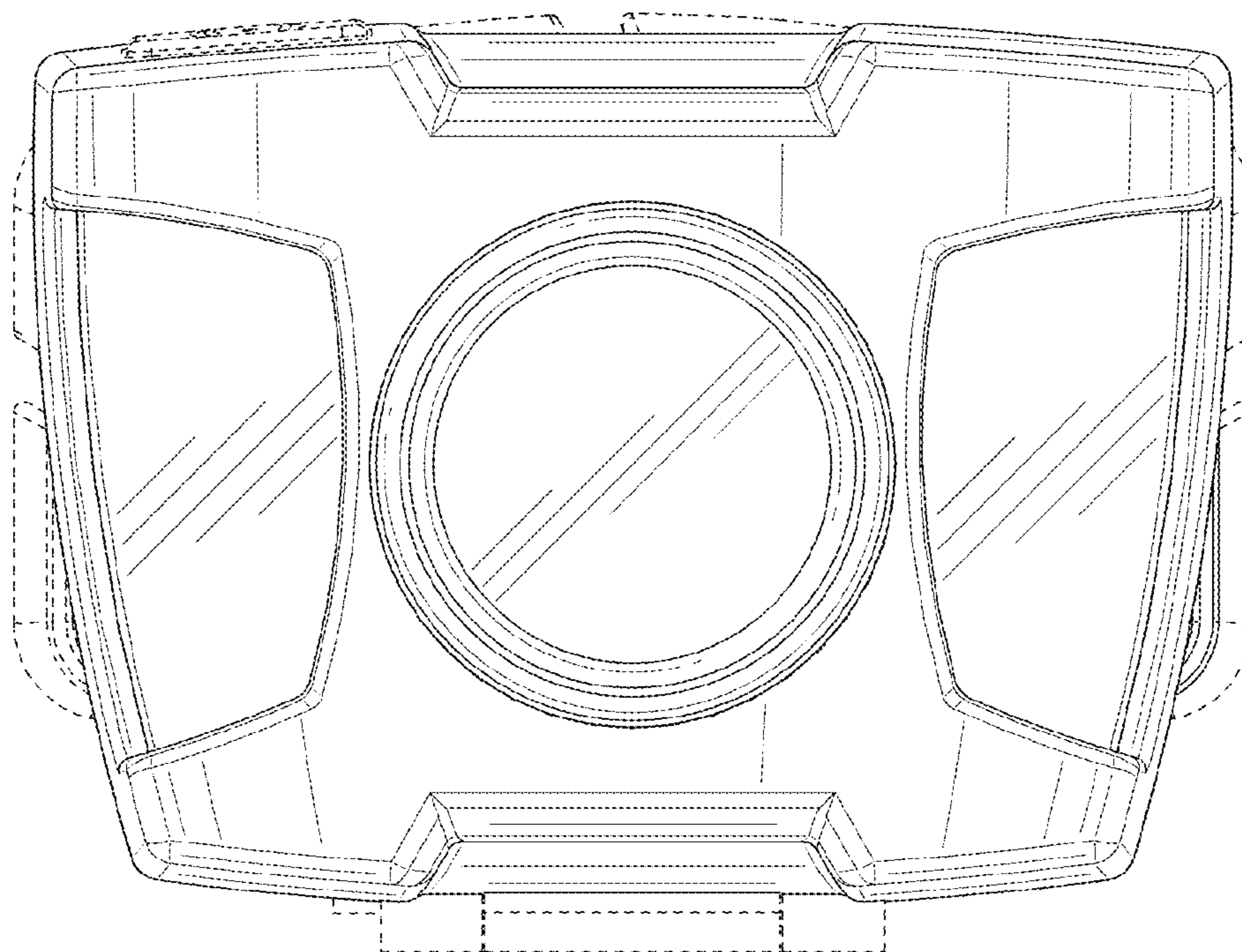


FIG. 2

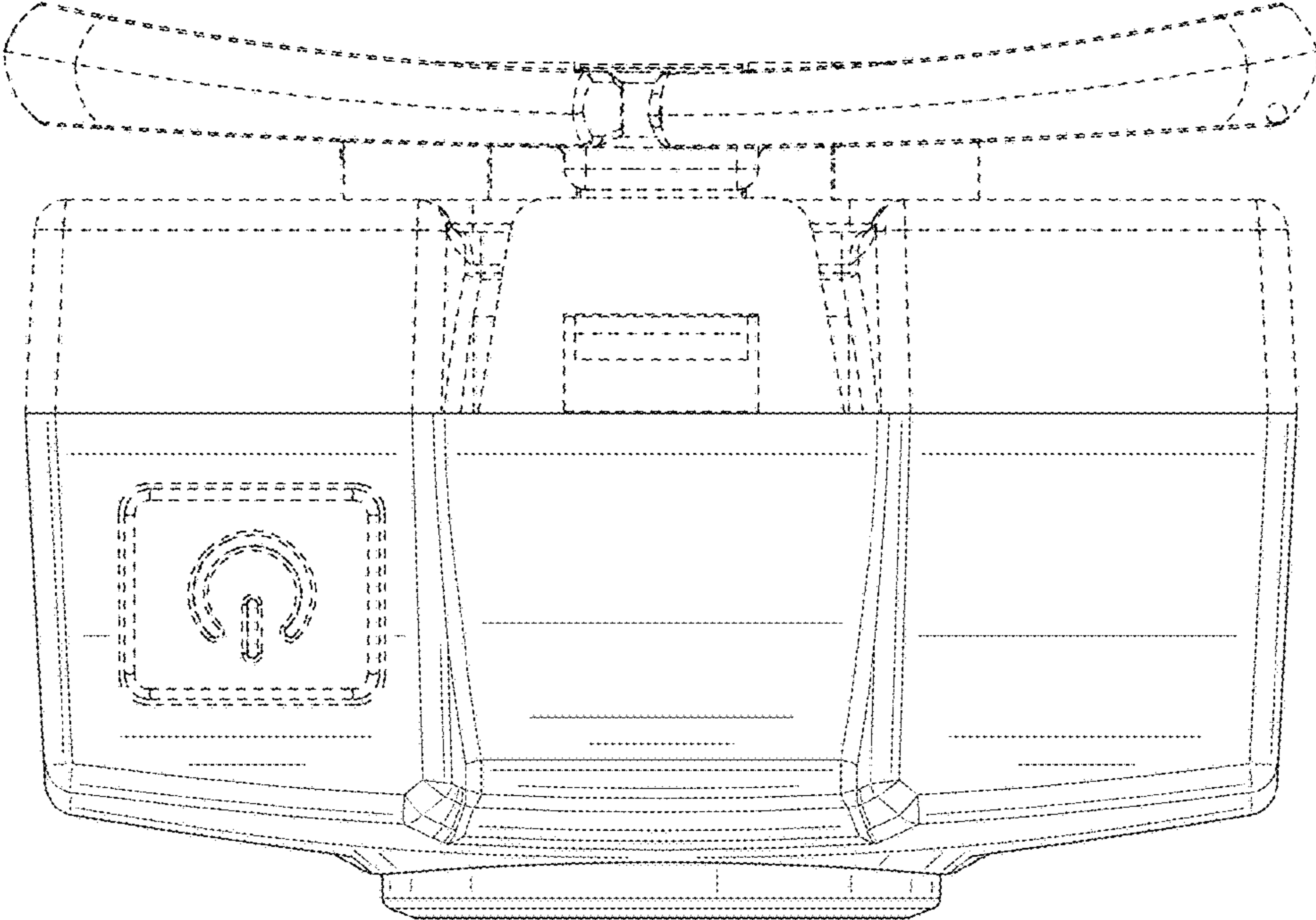


FIG. 3

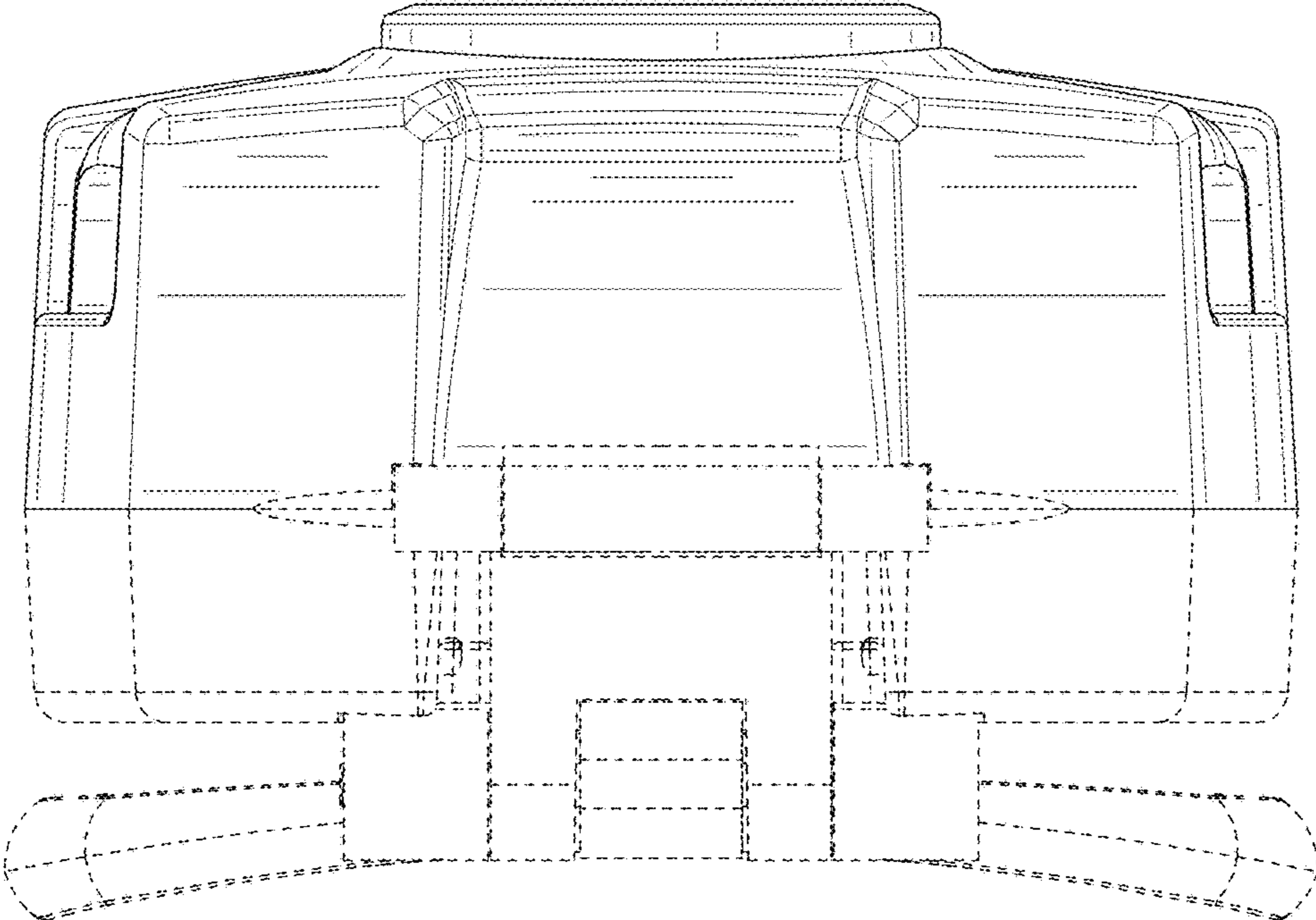


FIG. 4

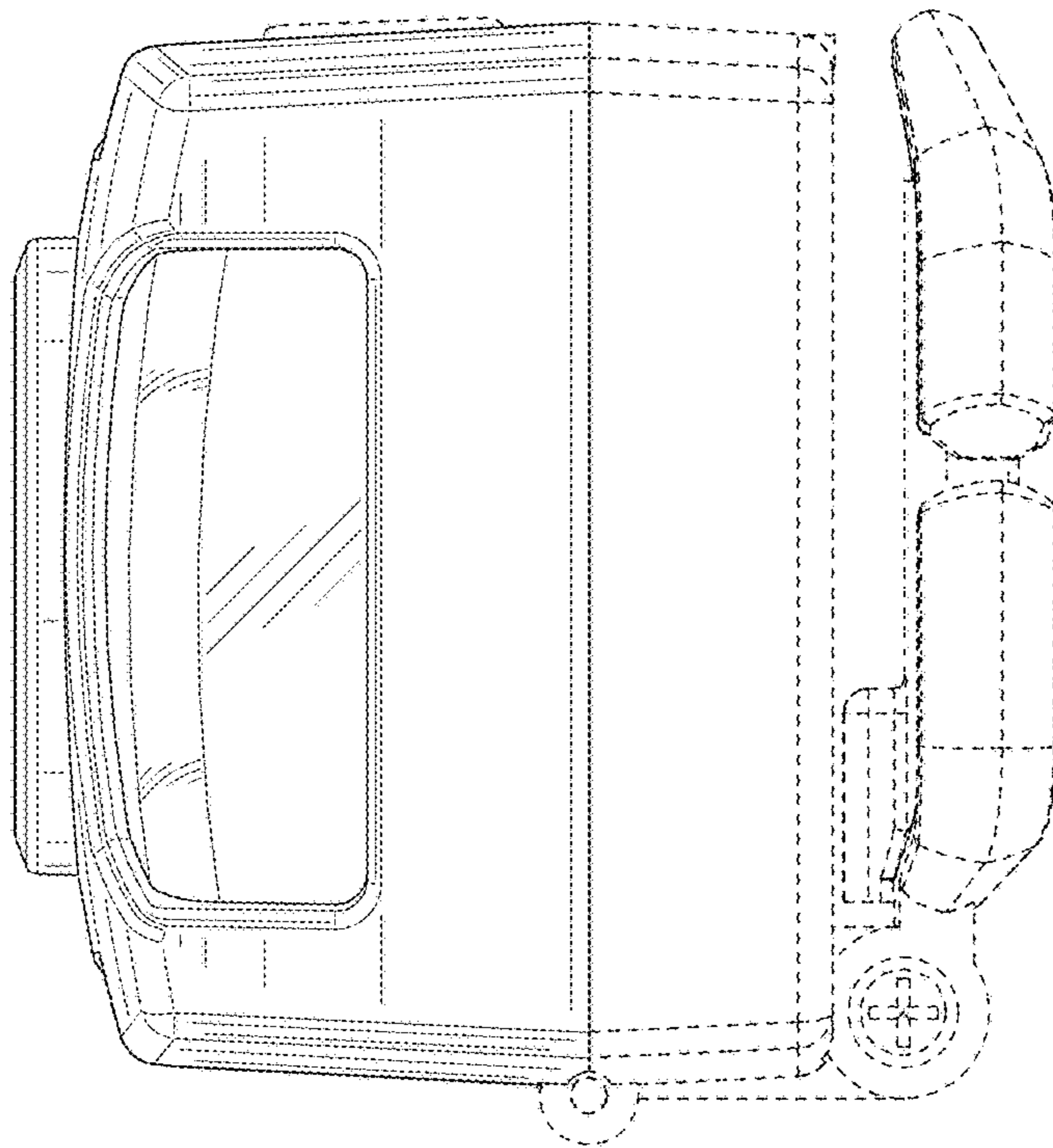


FIG. 5

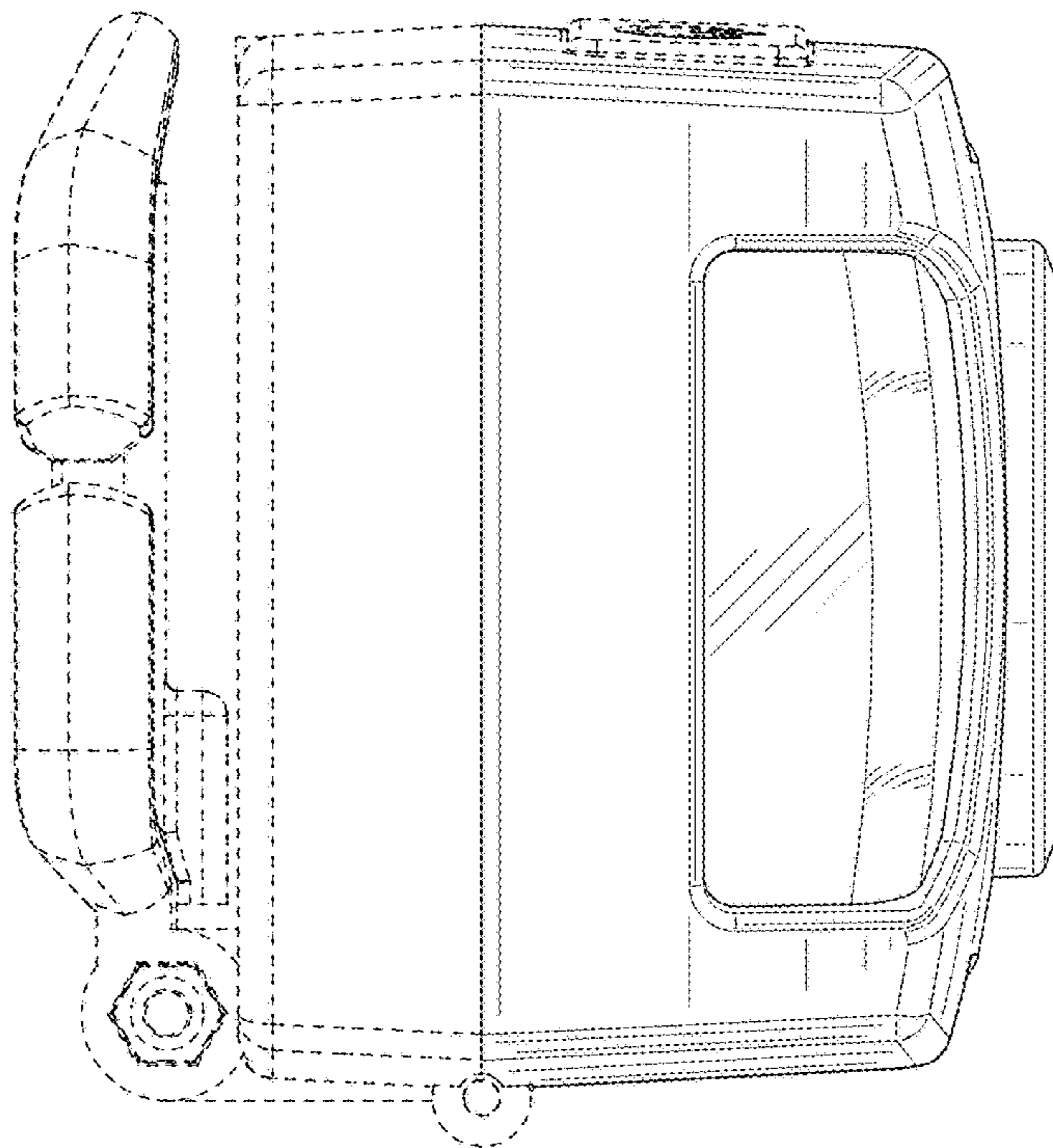


FIG. 6